



US00D949690S

(12) **United States Design Patent**
Hiltser et al.

(10) **Patent No.:** **US D949,690 S**

(45) **Date of Patent:** **** Apr. 26, 2022**

(54) **CLOSURE FOR A CONTAINER**

(71) Applicant: **H.J. Heinz Company Brands LLC**,
Pittsburgh, PA (US)

(72) Inventors: **Balint Hiltser**, Lent (NL); **Guus Lueb**,
Bennekom (NL)

(73) Assignee: **H.J. Heinz Company Brands LLC**,
Pittsburgh, PA (US)

(**) Term: **15 Years**

(21) Appl. No.: **29/737,015**

(22) Filed: **Jun. 4, 2020**

Related U.S. Application Data

(62) Division of application No. 29/674,603, filed on Dec.
21, 2018, now Pat. No. Des. 889,260.

(51) **LOC (13) Cl.** **09-07**

(52) **U.S. Cl.**
USPC **D9/449**

(58) **Field of Classification Search**

USPC D3/10, 13, 17; D6/672, 677; D7/300,
D7/317, 321, 387, 388.391, 392, 396.1,
D7/396.6, 397, 398, 401.1, 403, 509, 538,
D7/610, 619.1, 629, 672, 677, 601, 602,
D7/624.1, 705, 708; D9/434, 435, 436,
D9/438, 439, 440, 441, 442, 446, 447,
D9/449, 451, 452, 453, 454, 455, 550,
D9/560, 566, 516, 544, 573, 614, 618,
D9/623, 686, 705, 708, 715-720, 730,
D9/750, 751; D20/21, 31, 41, 42;
D21/3, 621; D23/206, 259, 260;
D24/121, 127, 199, 224; D28/4, 5, 73,
D28/76, 91.1

CPC B65D 83/06; B65D 2501/00; B65D
2501/0009; B65D 1/00; B65D 1/02;
B65D 1/0223; B65D 23/00; B65D
50/041; B65D 53/02; B65D 41/34; B65D
21/0223; B65D 47/265; B65D 2525/283;
B65D 2251/0087; B65D 2251/0018;
B65D 2251/0028; B65D 2251/009; B65D

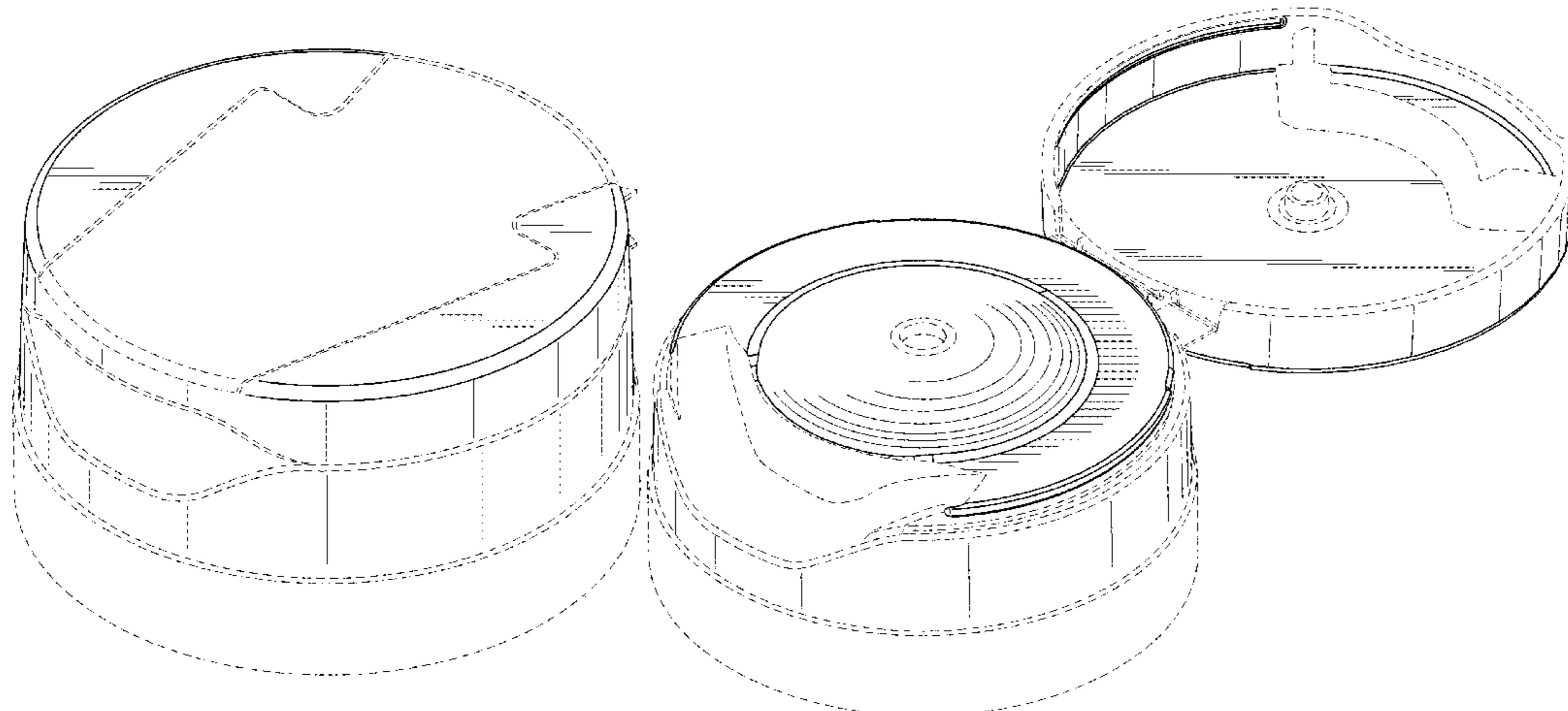
43/0225; B65D 25/28; B65D 51/18;
B65D 2203/00; B65D 83/0038; B65D
43/02; B65D 85/36; B65D 81/18; B65D
81/38; A45D 2040/0043; A45D
2040/0062; A45D 40/04; A45D 34/04;
A45D 33/04

See application file for complete search history.

(56) **References Cited**

U.S. PATENT DOCUMENTS

3,111,059	A	11/1963	Erwin	
3,435,978	A	4/1969	Wittwer	
3,980,211	A	9/1976	Owens	
4,869,399	A	9/1989	Dubach	
5,094,361	A	3/1992	Dubach	
D339,065	S	9/1993	Forsyth	
D385,791	S *	11/1997	Forsyth	D9/440
D441,144	S	4/2001	Vanoncini	
6,315,160	B1	11/2001	Gaiser	
6,357,634	B1	3/2002	Evans	
D476,892	S *	7/2003	Martin	D9/447
6,616,012	B2	9/2003	Dark	
6,659,308	B1	12/2003	Kelder	
D508,853	S *	8/2005	Ziegenhorn	D9/449
D511,685	S *	11/2005	Choi	D9/449
D531,035	S *	10/2006	Pugne	D9/453
7,195,138	B2	3/2007	Foster	
D542,132	S *	5/2007	Pugne	D9/449
D594,747	S	6/2009	Moretti	
7,552,832	B2	6/2009	Suffa	
7,588,142	B1	9/2009	Bush	
D604,159	S *	11/2009	Pugne	D9/449
7,637,402	B2	12/2009	Romanov	
D607,726	S	1/2010	Wisniewski	
D609,092	S *	2/2010	Laib	D9/449
D609,568	S	2/2010	Mazurkiewicz	
D624,414	S	9/2010	David	
D625,146	S	10/2010	George	
D627,641	S	11/2010	Mazurkiewicz	
D628,887	S *	12/2010	Groubert	D9/449
D628,888	S *	12/2010	Groubert	D9/449
D628,889	S *	12/2010	Groubert	D9/449
D628,890	S *	12/2010	Groubert	D9/449
D628,891	S *	12/2010	Groubert	D9/449
D628,892	S *	12/2010	Groubert	D9/449
D628,893	S *	12/2010	Groubert	D9/449
D631,347	S *	1/2011	Rudolph	D9/446
7,874,466	B2	1/2011	McConville	
D634,198	S *	3/2011	Groubert	D9/449
D640,556	S	6/2011	Bragg	



US D949,690 S

Page 2

D673,048 S *	12/2012	Waite	D9/524	CA	3093560	9/2019
8,376,195 B2	2/2013	Dubach		CA	3112028	3/2020
D680,434 S *	4/2013	Fracasso	D9/449	CH	715006	11/2019
8,424,728 B2	4/2013	Dubach		CH	715921	9/2020
D688,554 S *	8/2013	Fracasso	D9/449	DE	20112974	9/2002
D712,263 S *	9/2014	Humm	D9/449	DE	202017101589	7/2017
D712,264 S	9/2014	Stuart		EP	1663801	6/2006
D721,535 S	1/2015	Chapman		EP	2993447	3/2016
D742,229 S	11/2015	Wisniewski		EP	3088851	11/2016
D766,085 S	9/2016	Smith		EP	3105138	12/2016
D782,310 S *	3/2017	Li	D9/449	EP	3458163	3/2019
D789,737 S	6/2017	Eyal		EP	3519316	8/2019
D794,458 S	8/2017	Lloyd		EP	3546170	10/2019
D809,387 S *	2/2018	Tran	D9/449	EP	3546386	10/2019
D809,388 S *	2/2018	Tran	D9/449	EP	3649056	5/2020
D834,413 S *	11/2018	Tran	D9/449	EP	3708512	9/2020
D838,592 S *	1/2019	Henderson	D9/449	EP	3740433	11/2020
D842,107 S *	3/2019	Bardet	D9/449	EP	3752432	12/2020
10,252,845 B2	4/2019	Rognard		EP	3765382	1/2021
D863,962 S *	10/2019	Bakic	D9/449	EP	3774262	2/2021
10,640,270 B2	5/2020	Port		EP	3793912	3/2021
D889,260 S *	7/2020	Hiltser	D9/449	JP	2009161194	7/2009
11,059,641 B2	7/2021	Peuker		JP	2016050003	4/2016
2001/0052531 A1	12/2001	Randall		WO	2007024404	3/2007
2004/0245290 A1	12/2004	Hagihara		WO	2019010154	1/2019
2005/0087550 A1 *	4/2005	Skillin	B65D 47/0828	WO	2019137597	7/2019
			222/153.01	WO	2019150106	8/2019
2005/0087571 A1	4/2005	Dark		WO	2019178363	9/2019
2005/0173457 A1	8/2005	Berard		WO	2019186326	10/2019
2005/0279781 A1 *	12/2005	Pugne	B65D 47/0804	WO	2019186327	10/2019
			222/556	WO	2020058023	3/2020
2007/0205177 A1 *	9/2007	Delage	B65D 47/0814	WO	2020132247	6/2020
			215/305	WO	2021048336	3/2021
2007/0251909 A1	11/2007	Decelles		WO	2021055026	3/2021
2008/0023477 A1 *	1/2008	Markert	B65D 47/0814	WO	2021055067	3/2021
			220/259.1			
2008/0110850 A1	5/2008	Tilton				
2009/0159552 A1 *	6/2009	Cano-Pey	B65D 47/0828			
			215/235			
2009/0294447 A1 *	12/2009	Mazurkiewicz ...	B65D 47/0819			
			220/260			
2010/0072231 A1	3/2010	Bloom				
2010/0230438 A1	9/2010	Sardo, Jr.				
2012/0080450 A1	4/2012	Dziersk				
2012/0199582 A1	8/2012	Cai				
2013/0043277 A1	2/2013	Lepage				
2013/0175271 A1 *	7/2013	Lim	B65D 47/0828			
			220/254.5			
2013/0270295 A1	10/2013	Collias				
2013/0334250 A1	12/2013	Albaum				
2014/0144938 A1	5/2014	Kakuta				
2015/0014370 A1	1/2015	Kiel				
2015/0108180 A1	4/2015	Advaney				
2015/0259108 A1	9/2015	Rodrigues Neto				
2015/0307238 A1	10/2015	Richards				
2015/0353245 A1	12/2015	Sakimura				
2016/0251104 A1	9/2016	Zweifel				
2017/0276531 A1	9/2017	Jaeckel				
2019/0166976 A1	6/2019	Croix				
2019/0168932 A1	6/2019	Jevtic				
2019/0270554 A1	9/2019	Maeda				
2020/0031540 A1	1/2020	Dzurik				
2020/0399030 A1	12/2020	Jelich				
2020/0407128 A1	12/2020	Armstrong				
2021/0069734 A1	3/2021	Müller				
2021/0114781 A1	4/2021	Boehm				
2021/0171247 A1	6/2021	Boehm				

FOREIGN PATENT DOCUMENTS

CA	2537719	3/2005
CA	2939346	8/2015
CA	3020455	11/2017

* cited by examiner

Primary Examiner — Catherine S Posthauer
(74) *Attorney, Agent, or Firm* — Fitch, Even, Tabin & Flannery LLP

(57) CLAIM

The ornamental design for a closure for a container, as shown and described.

DESCRIPTION

FIG. 1 is a top perspective view of a closure for a container in accordance with our new design in a closed configuration; FIG. 2 is a front elevation view thereof; FIG. 3 is a rear elevation view thereof; FIG. 4 is a left side elevation view thereof, the right side elevation view being a mirror image thereof; FIG. 5 is a top plan view thereof; FIG. 6 is a bottom plan view thereof; FIG. 7 is a top perspective view of the closure of FIGS. 1-6 in an open configuration; FIG. 8 is a front elevation view thereof; FIG. 9 is a rear elevation view thereof; FIG. 10 is a right side elevation view thereof, the left side elevation view being a mirror image thereof; FIG. 11 is a top plan view thereof; and, FIG. 12 is a bottom plan view thereof. The broken lines depict portions of the closure that form no part of the claimed design.

1 Claim, 10 Drawing Sheets

FIG. 1

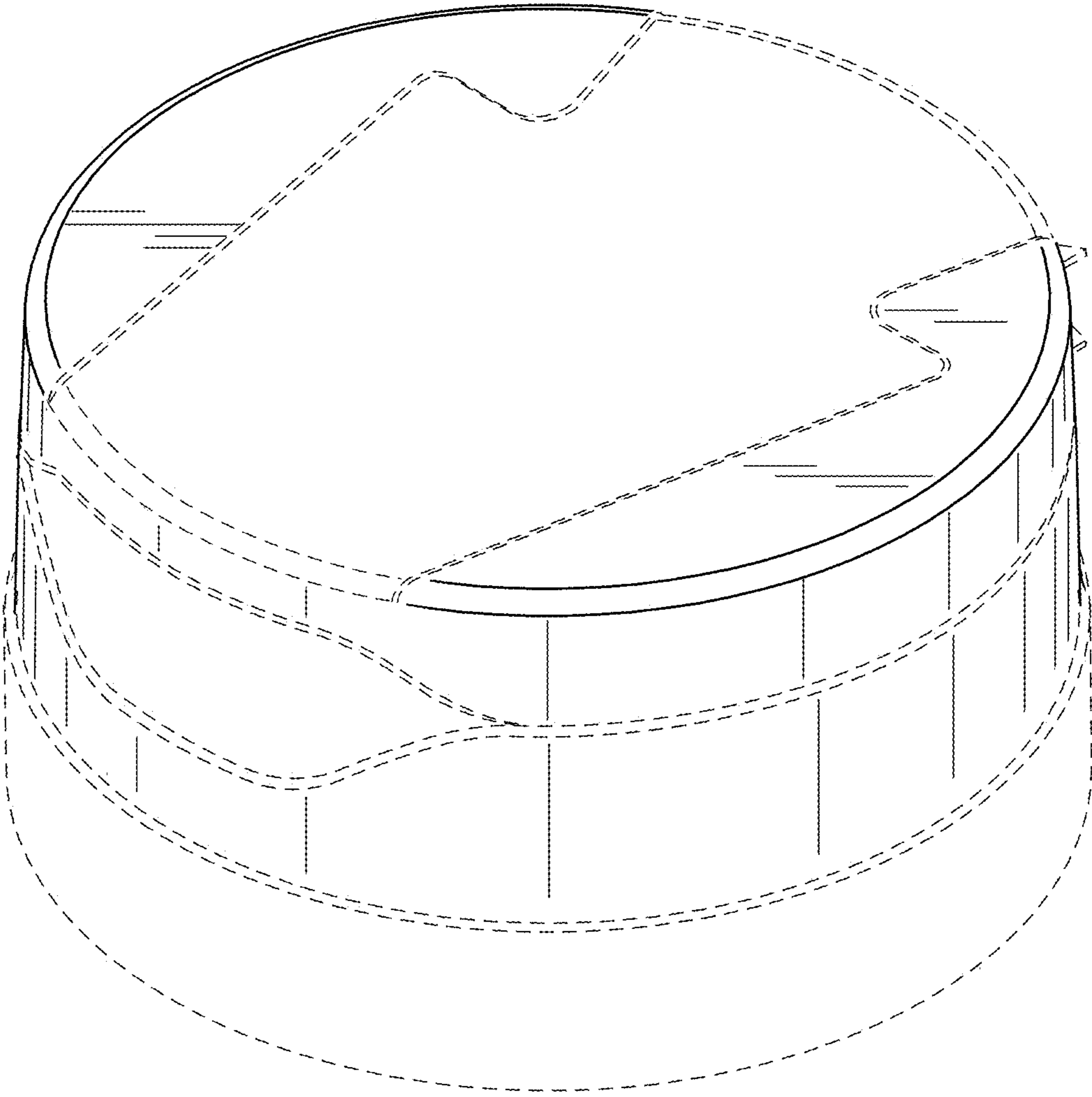


FIG. 2

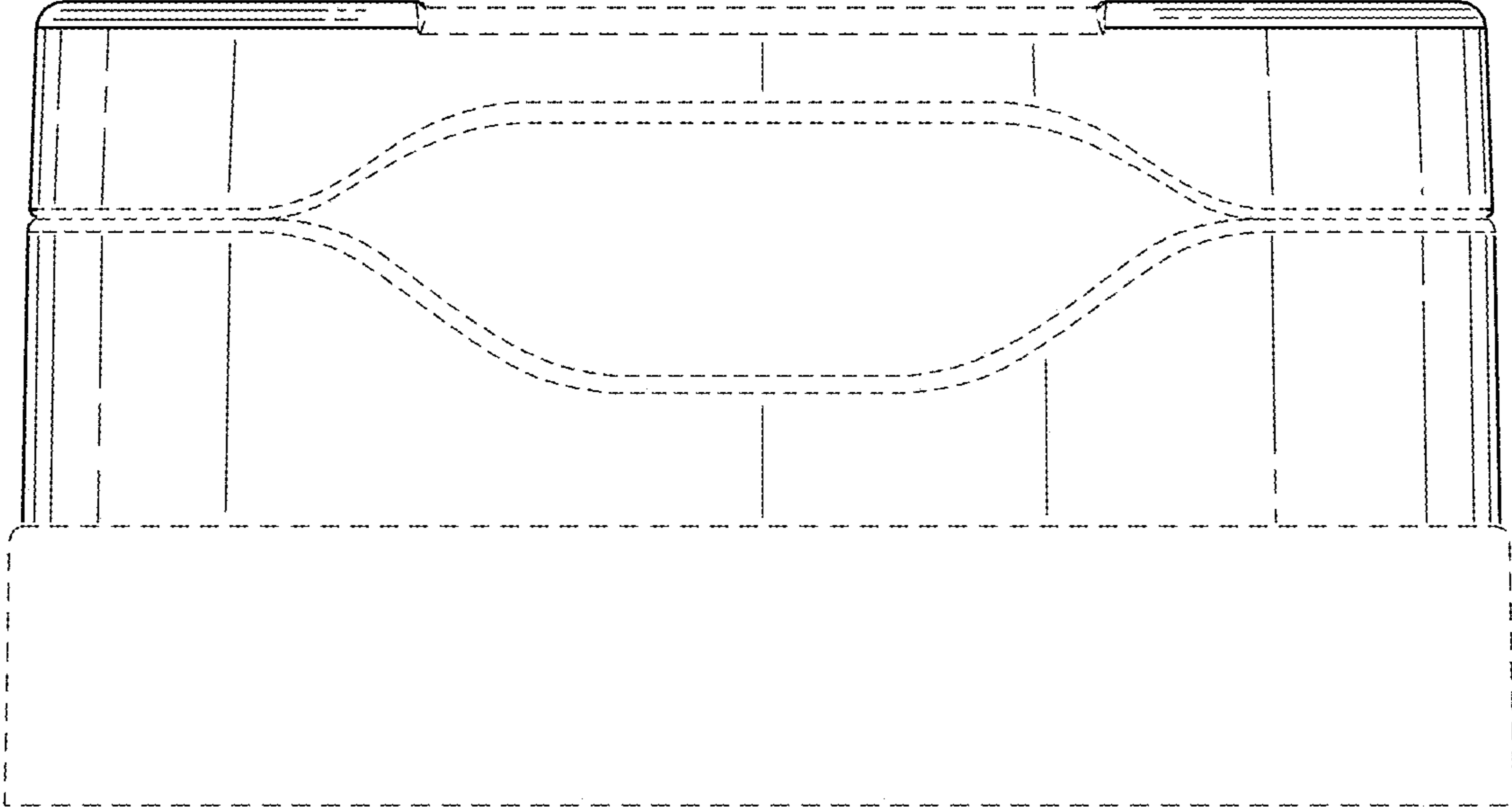


FIG. 3

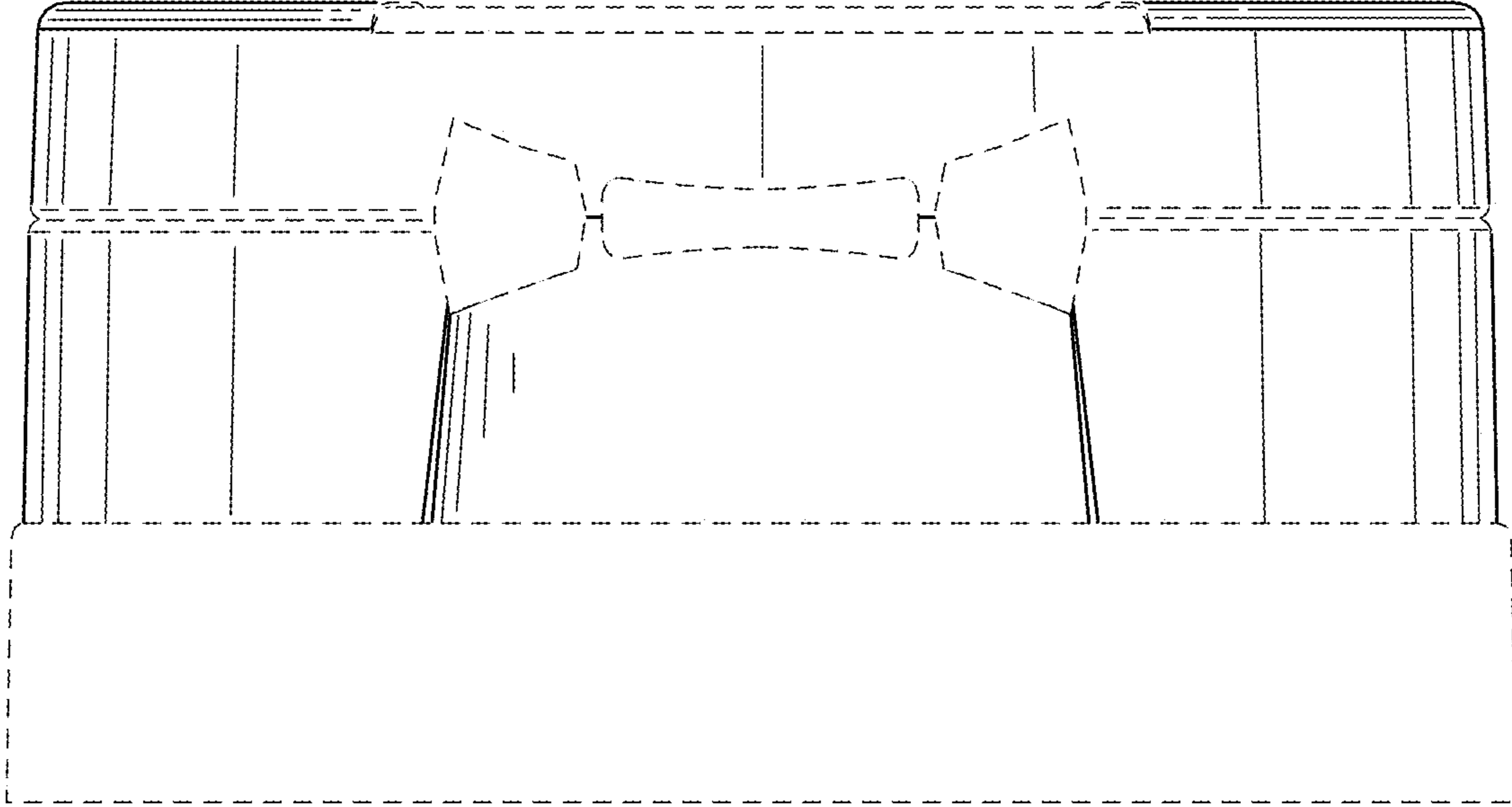


FIG. 4

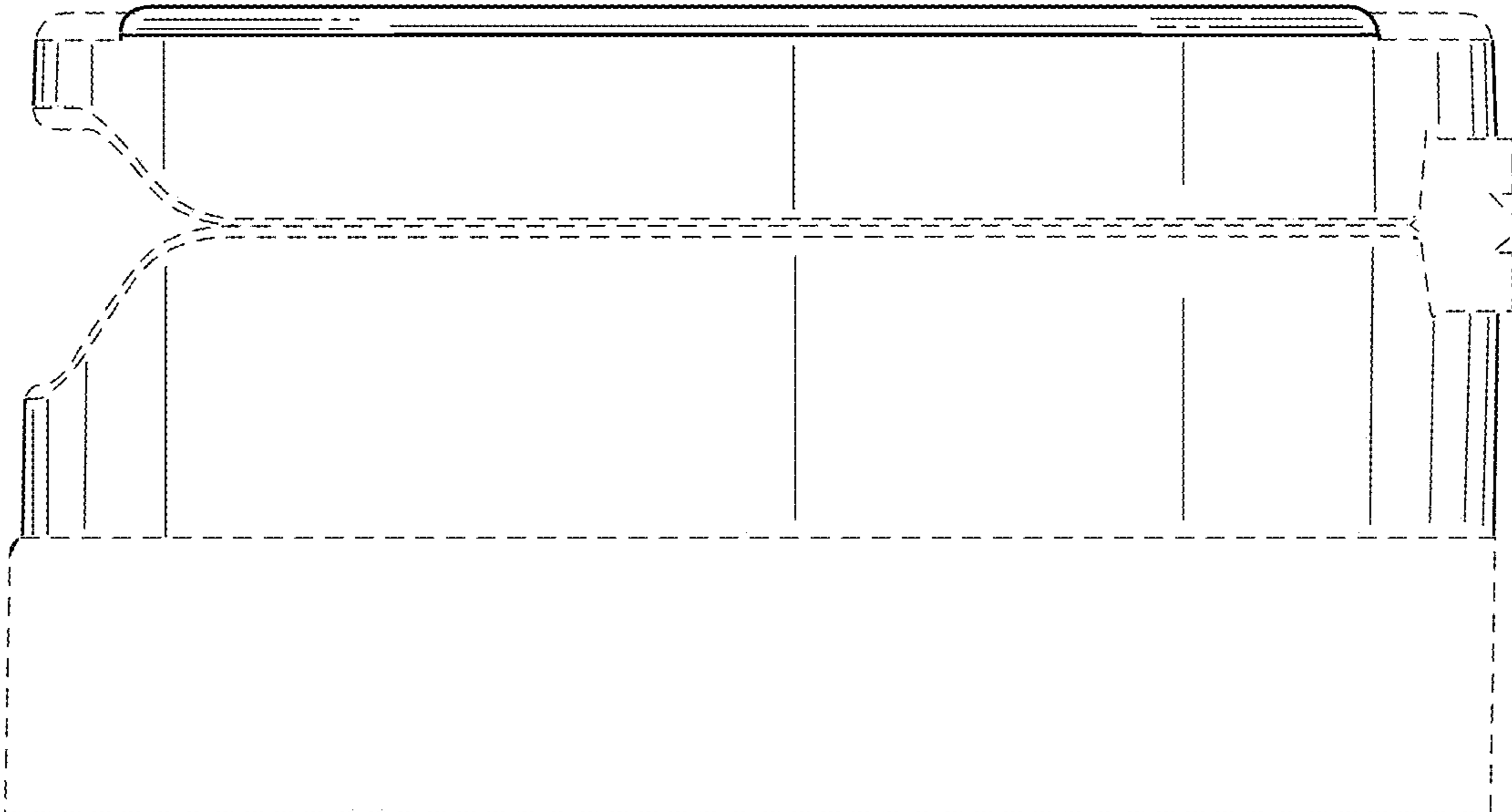


FIG. 5

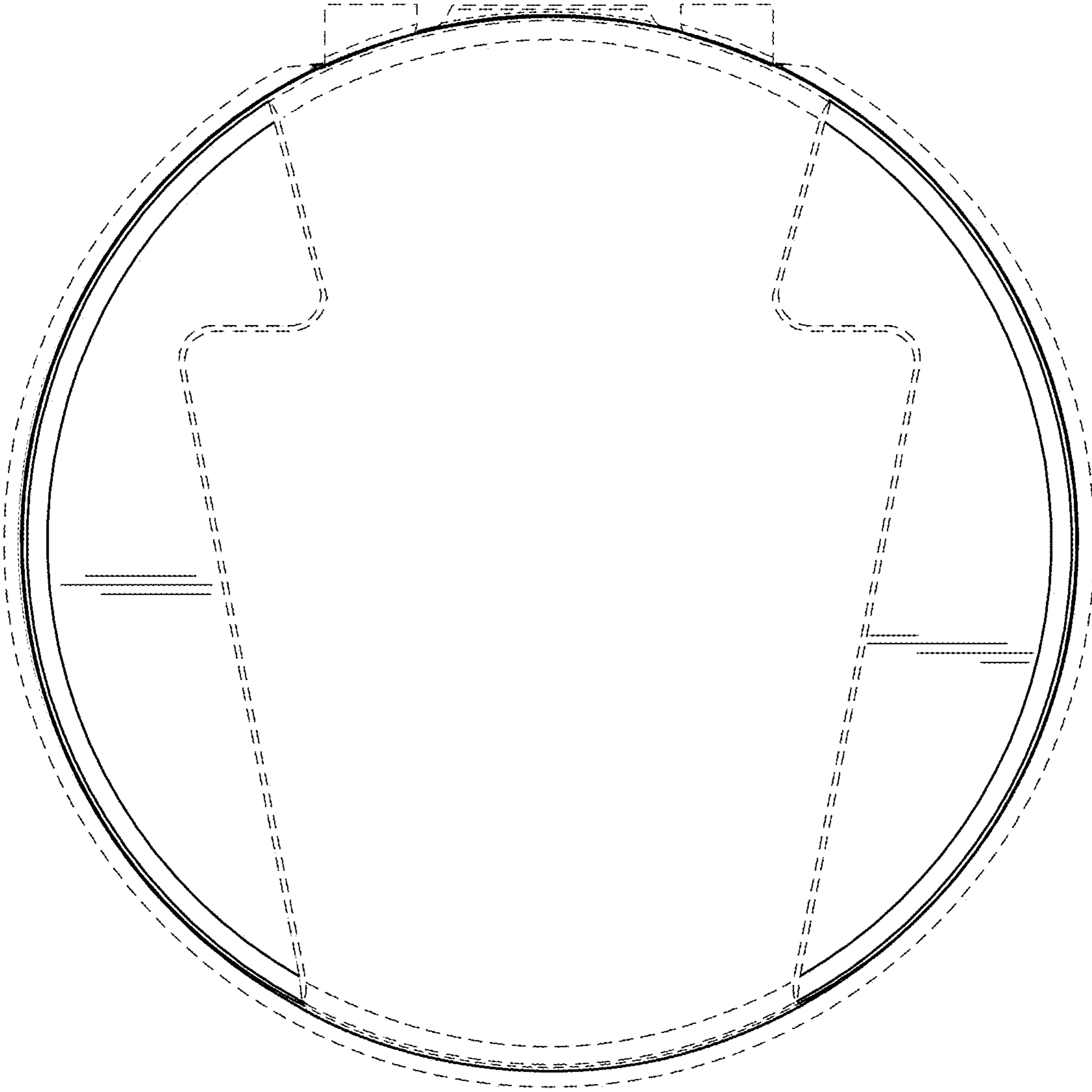
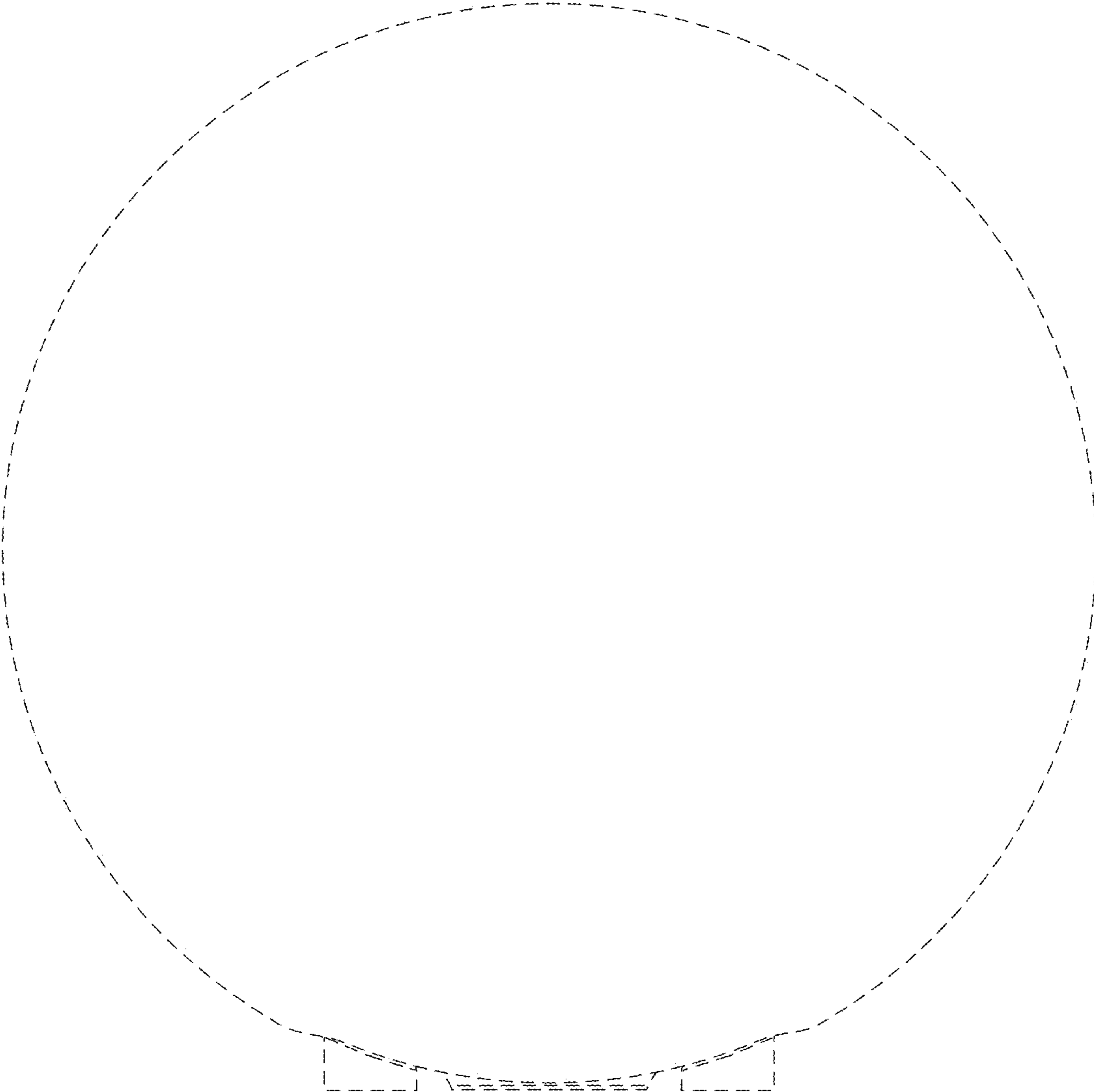


FIG. 6



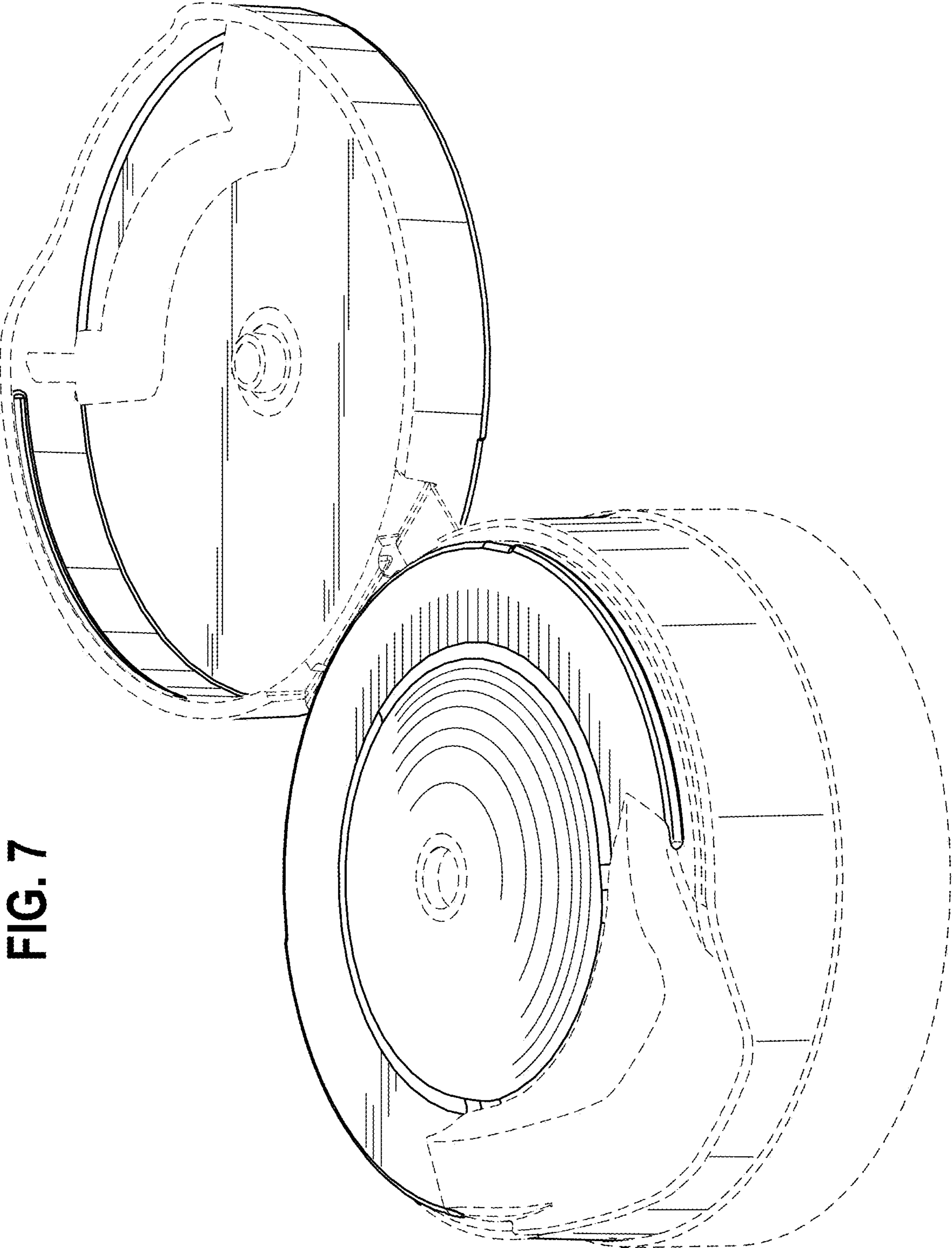


FIG. 7

FIG. 8

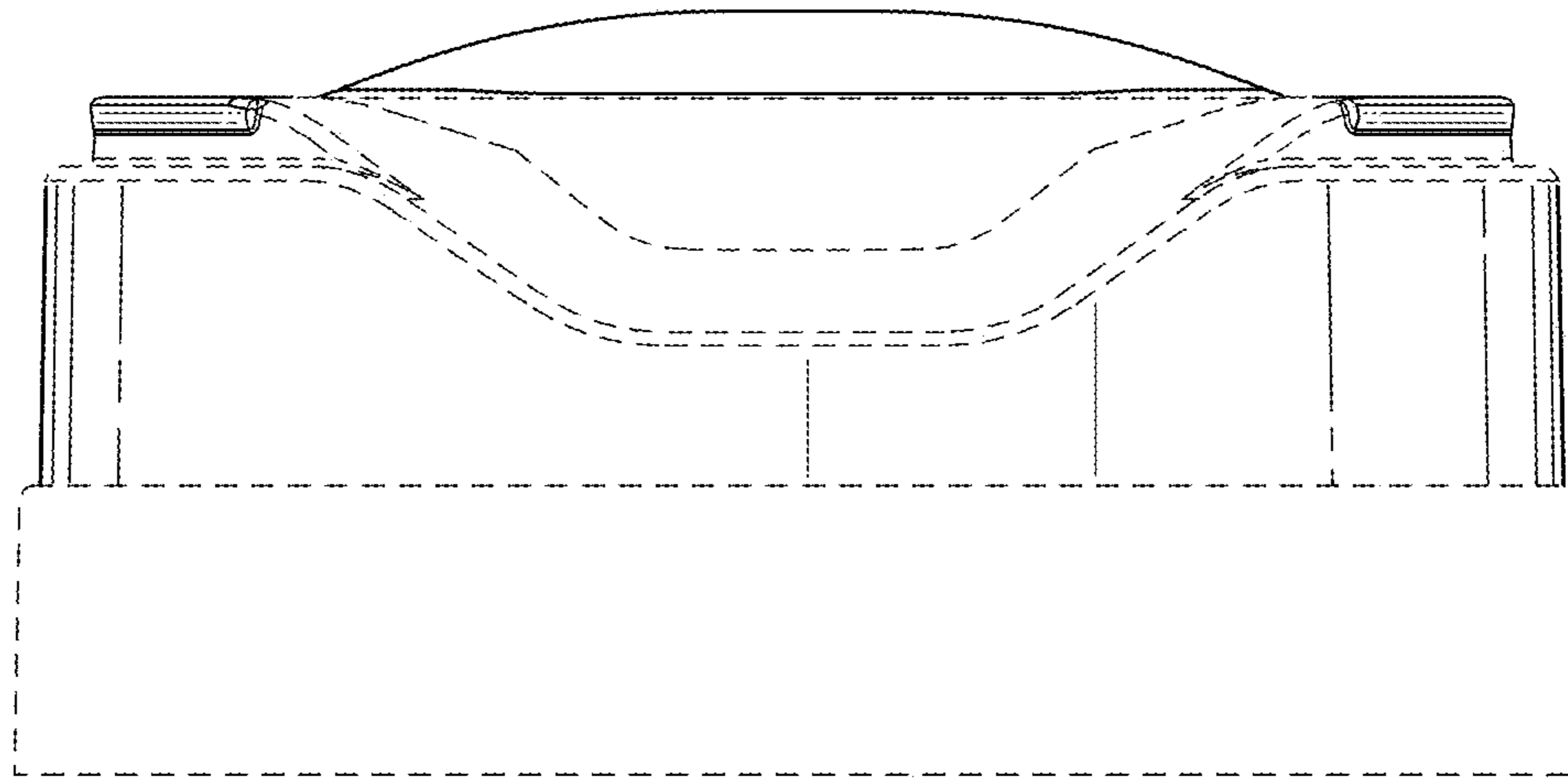


FIG. 9

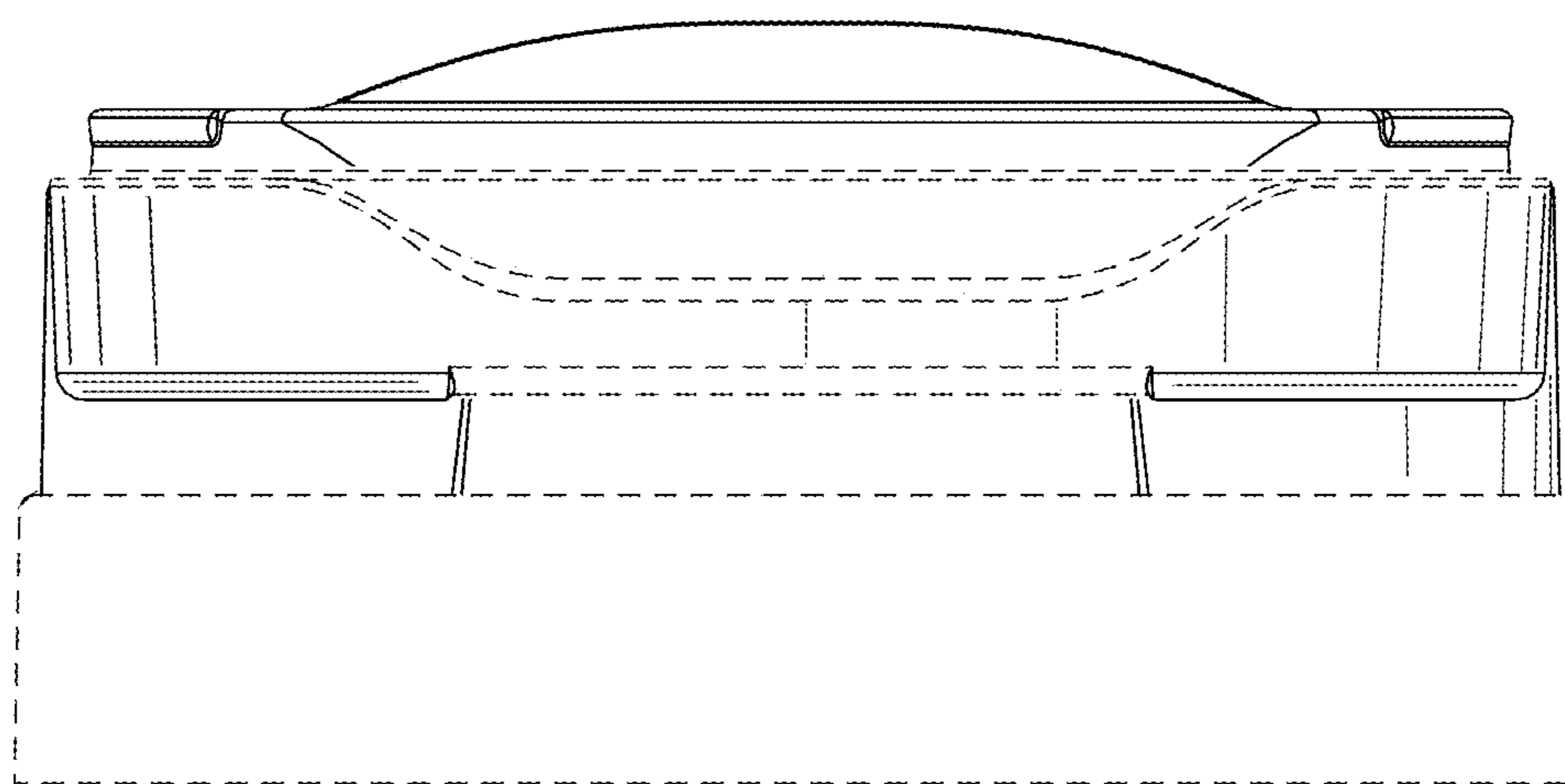


FIG. 10

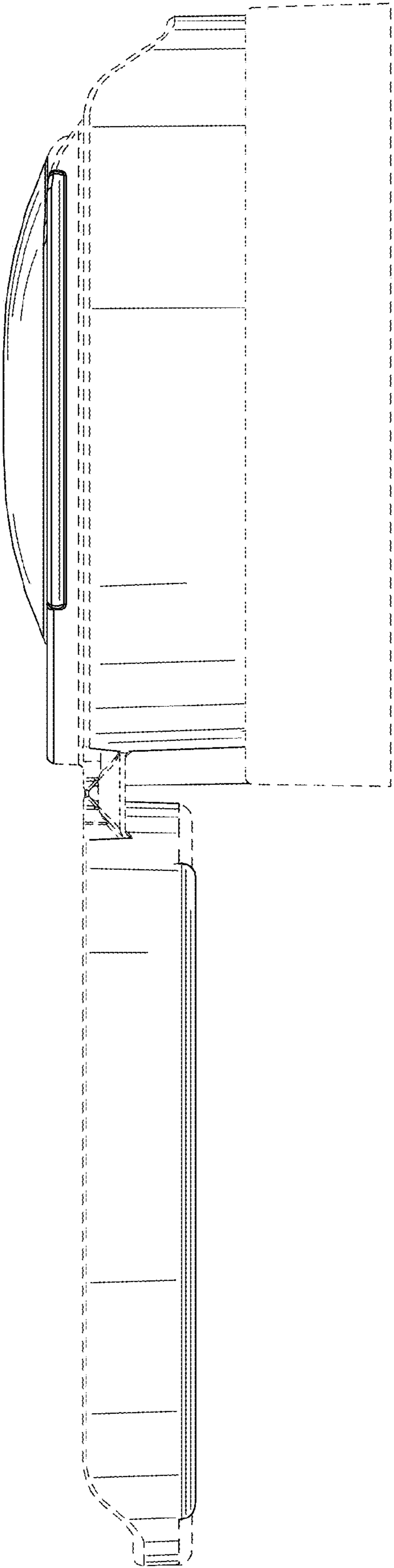


FIG. 11

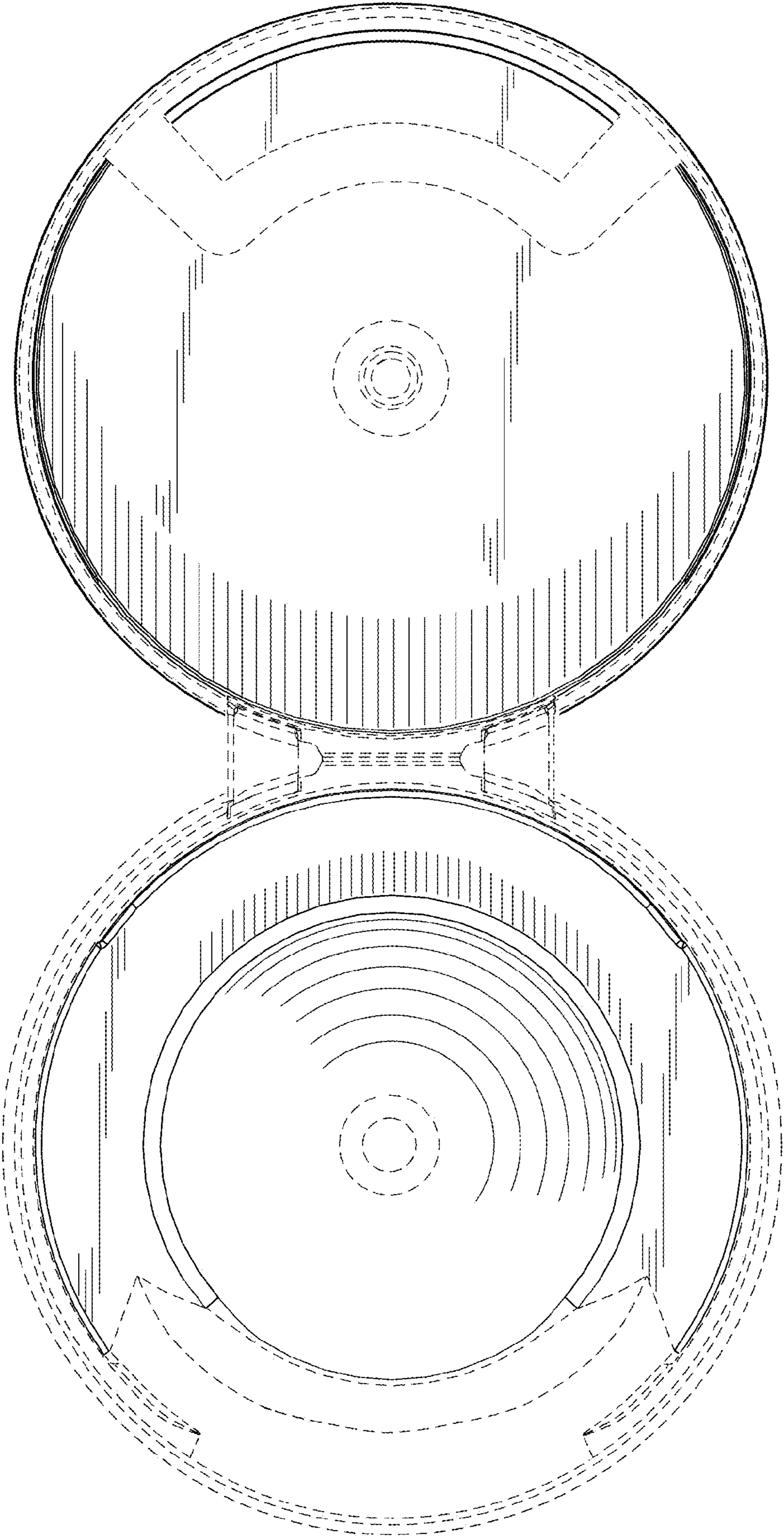


FIG. 12

