

US00D949689S

(12) **United States Design Patent**
Wiebenga et al.

(10) **Patent No.:** **US D949,689 S**
(45) **Date of Patent:** **** Apr. 26, 2022**

(54) **LID FOR A CONTAINER**

(71) Applicant: **PACT GROUP HOLDINGS (NZ) LIMITED**, Auckland (NZ)

(72) Inventors: **Rod Wiebenga**, Cremome (AU);
Daniel Booker, Cremome (AU)

(73) Assignee: **PACT GROUP HOLDINGS (NZ) LTD.**, Auckland (NZ)

(**) Term: **15 Years**

(21) Appl. No.: **29/628,088**

(22) Filed: **Dec. 1, 2017**

(30) **Foreign Application Priority Data**

Jun. 2, 2017 (AU) 201713332

(51) **LOC (13) Cl.** **09-07**

(52) **U.S. Cl.**
USPC **D9/449**

(58) **Field of Classification Search**
USPC D9/414, 424, 425, 428, 432, 434, 435,
D9/436, 439, 440, 443-450, 452-457,
(Continued)

(56) **References Cited**

U.S. PATENT DOCUMENTS

D282,616 S * 2/1986 Gallagher D7/392.1
D313,754 S * 1/1991 Pomroy D9/435
(Continued)

FOREIGN PATENT DOCUMENTS

AU 646407 B2 2/1994
AU 122827 2/1995
(Continued)

Primary Examiner — Wendy L Arminio

(74) *Attorney, Agent, or Firm* — Arent Fox LLP

(57) **CLAIM**

The ornamental design for a lid for a container, as shown and described.

DESCRIPTION

FIG. 1 is a top front right perspective view of a first embodiment of a lid for a container showing our new design; FIG. 2 is a top view of the design shown in FIG. 1; FIG. 3 is a bottom view of the design shown in FIG. 1; FIG. 4 is a right side view of the design shown in FIG. 1; FIG. 5 is a left side view of the design shown in FIG. 1; FIG. 6 is a rear view of the design shown in FIG. 1; FIG. 7 is a front view of the design shown in FIG. 1; FIG. 8 is a top front right perspective view, shown in a first position of use, of the design shown in FIG. 1; FIG. 9 is a bottom front right perspective view of the design shown in FIG. 8; FIG. 10 is a top front right perspective view, shown in a second position of use, of the design shown in FIG. 1; FIG. 11 is a top view of the design shown in FIG. 8; FIG. 12 is a bottom view of the design shown in FIG. 8; FIG. 13 is a right side view of the design shown in FIG. 8; FIG. 14 is a left side view of the design shown in FIG. 8; FIG. 15 is a rear view of the design shown in FIG. 8; FIG. 16 is a front view of the design shown in FIG. 8; FIG. 17 is a top front right perspective view of a second embodiment of a lid for a container showing our new design; FIG. 18 is a top view of the design shown in FIG. 17; FIG. 19 is a bottom view of the design shown in FIG. 17; FIG. 20 is a right side view of the design shown in FIG. 17; FIG. 21 is a left side view of the design shown in FIG. 17; FIG. 22 is a rear view of the design shown in FIG. 17; FIG. 23 is a front view of the design shown in FIG. 17; FIG. 24 is a top front right perspective view, shown in a first position of use, of the design shown in FIG. 17; FIG. 25 is a bottom front right perspective view of the design shown in FIG. 24; FIG. 26 is a top front right perspective view, shown in a second position of use, of the design shown in FIG. 17; FIG. 27 is a top view of the design shown in FIG. 24; FIG. 28 is a bottom view of the design shown in FIG. 24; FIG. 29 is a right side view of the design shown in FIG. 24;
(Continued)

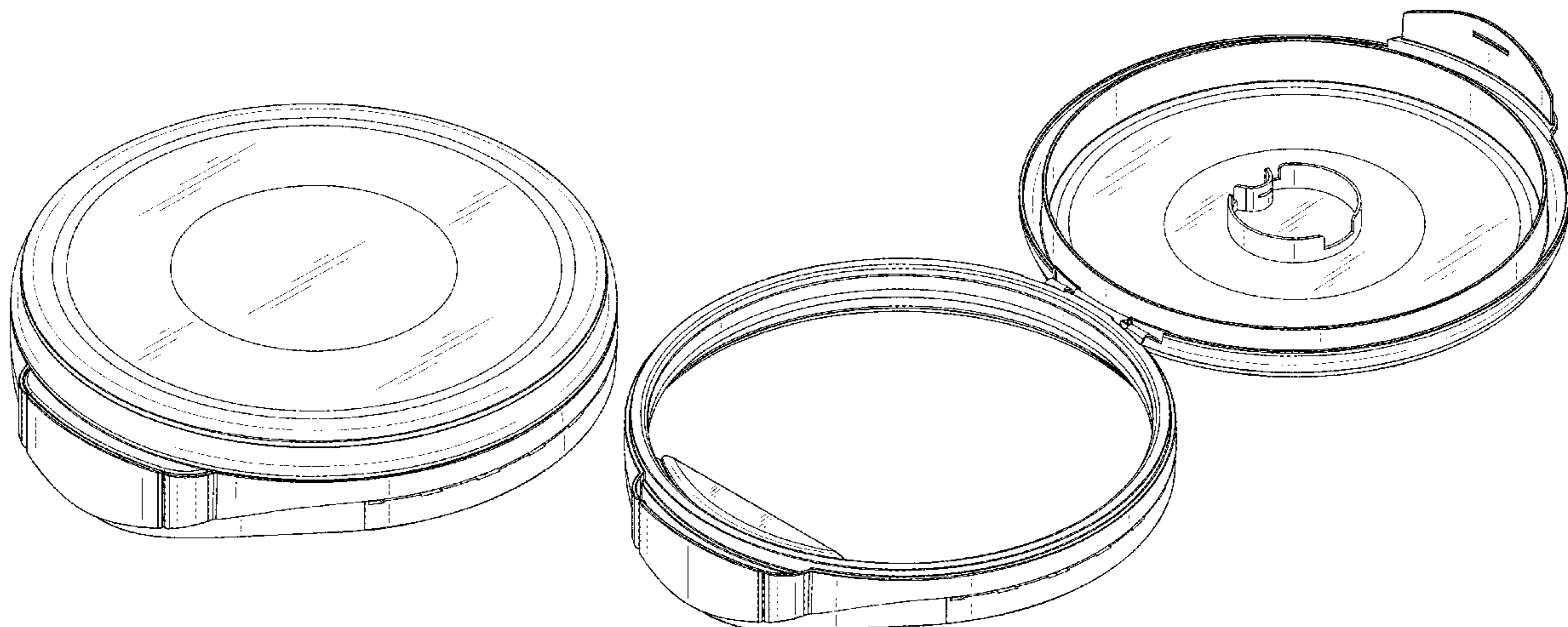


FIG. 30 is a left side view of the design shown in FIG. 24;
 FIG. 31 is a rear view of the design shown in FIG. 24;
 FIG. 32 is a front view of the design shown in FIG. 24;
 FIG. 33 is a top front right perspective view of a third embodiment of a lid for a container showing our new design;
 FIG. 34 is a bottom front right perspective view of the design shown in FIG. 33;
 FIG. 35 is a top view of the design shown in FIG. 33;
 FIG. 36 is a bottom view of the design shown in FIG. 33;
 FIG. 37 is a right side view of the design shown in FIG. 33;
 FIG. 38 is a left side view of the design shown in FIG. 33;
 FIG. 39 is a rear view of the design shown in FIG. 33;
 FIG. 40 is a front view of the design shown in FIG. 33;
 FIG. 41 is a top front right perspective view, shown in a first position of use, of the design shown in FIG. 33;
 FIG. 42 is a bottom front left perspective view of the design shown in FIG. 33;
 FIG. 43 is a top front right perspective view, shown in a second position of use, of the design shown in FIG. 33;
 FIG. 44 is a top view of the design shown in FIG. 33;
 FIG. 45 is a bottom view of the design shown in FIG. 33;
 FIG. 46 is a right side view of the design shown in FIG. 33;
 FIG. 47 is a left side view of the design shown in FIG. 33;
 FIG. 48 is a rear view of the design shown in FIG. 33; and,
 FIG. 49 is a front view of the design shown in FIG. 33.
 The broken lines illustrating a scoop in FIGS. 10, 26 and 43 depict environment and form no part of the claimed design. All other broken lines shown in the figures depict portions of the lid for a container that form no part of the claimed design.

1 Claim, 49 Drawing Sheets

(58) **Field of Classification Search**

USPC D9/499, 503, 516, 682, 685, 686;
 D7/387, 391, 392, 392.1, 396.2, 510, 511,
 D7/538, 900; D3/202, 203.2; D28/91,
 D28/91.1
 CPC .. A61J 1/00; A61J 1/1412; B65D 1/00; B65D
 1/02; B65D 1/10; B65D 1/46; B65D
 5/46; B65D 41/00; B65D 41/38; B65D
 41/56; B65D 41/62; B65D 47/00; B65D
 47/06; B65D 47/08; B65D 2251/00;
 B65D 2543/00046; B65D 2543/00092;
 B65D 2543/00296

See application file for complete search history.

(56) **References Cited**

U.S. PATENT DOCUMENTS

D339,958 S * 10/1993 Olsen D9/454
 D359,451 S * 6/1995 Dees D9/454
 D445,337 S * 7/2001 Croft D9/450
 D445,687 S * 7/2001 Gilbertson D9/454
 D517,916 S * 3/2006 Satt D9/449
 D521,865 S * 5/2006 Hicks D9/449
 D522,363 S * 6/2006 Hicks D9/449

D536,975 S * 2/2007 Smith D9/449
 D624,414 S * 9/2010 Benoit-Gonin D9/449
 D635,027 S * 3/2011 Gonzalez Sanchez D9/449
 D640,556 S * 6/2011 Bragg D9/449
 D661,583 S * 6/2012 Santarelli D9/449
 D661,588 S * 6/2012 Irani D9/449
 D690,200 S * 9/2013 Arand D9/449
 D712,264 S * 9/2014 Humm D9/449
 D784,808 S * 4/2017 Berroa Garcia D9/435
 D847,642 S * 5/2019 Dunn B65D 51/247
 D9/449
 D869,273 S * 12/2019 Kim D9/449
 D885,895 S * 6/2020 Berroa Garcia D9/449
 D896,570 S * 9/2020 Berroa Garcia D7/392.1
 2006/0191933 A1 * 8/2006 Hicks B65D 47/0804
 220/254.3
 2008/0173647 A1 * 7/2008 Ochoa Laburu B65D 47/043
 220/282
 2011/0068079 A1 * 3/2011 Luzatto B65D 41/185
 215/253
 2018/0237190 A1 * 8/2018 Iwasaki B65D 55/16

FOREIGN PATENT DOCUMENTS

AU 707269 B2 7/1999
 AU 304940 1/2006
 AU 304941 1/2006
 AU 305766 3/2006
 AU 323521 1/2009
 AU 323523 1/2009
 AU 324639 2/2009
 AU 324640 2/2009
 AU 2008202715 A1 2/2009
 AU 2006236067 B2 10/2009
 AU 2006236072 B2 3/2010
 AU 332856 9/2010
 AU 334673 1/2011
 AU 334676 1/2011
 AU 336869 5/2011
 AU 2009202131 B2 7/2015
 EM 004527380-0001 * 1/2018
 EM 004527380-0002 * 1/2018
 NZ 406569 12/2005
 NZ 537369 A 10/2006
 NZ 411720 6/2008
 NZ 411721 6/2008
 NZ 411722 6/2008
 NZ 411723 6/2008
 NZ 413938 8/2010
 NZ 577308 A 4/2011
 NZ 708540 A 6/2014
 NZ 711100 A 8/2014
 WO WO 1998/004469 A1 2/1998
 WO WO 02/012086 A1 2/2002
 WO WO 2004/002847 A1 1/2004
 WO WO 2005/075314 A3 8/2005
 WO WO 2006/107391 A1 10/2006
 WO WO 2007/142522 A3 12/2007
 WO WO 2010/027398 A1 3/2010
 WO WO 2011/067585 A1 6/2011
 WO WO 2011/081677 A1 7/2011
 WO WO 2011/156912 A3 12/2011
 WO WO 2012/085783 A1 6/2012
 WO WO 2012/175246 A1 12/2012
 WO WO 2013/120617 A3 8/2013
 WO WO 2014/084732 A1 6/2014
 WO WO 2014/129902 A1 8/2014

* cited by examiner

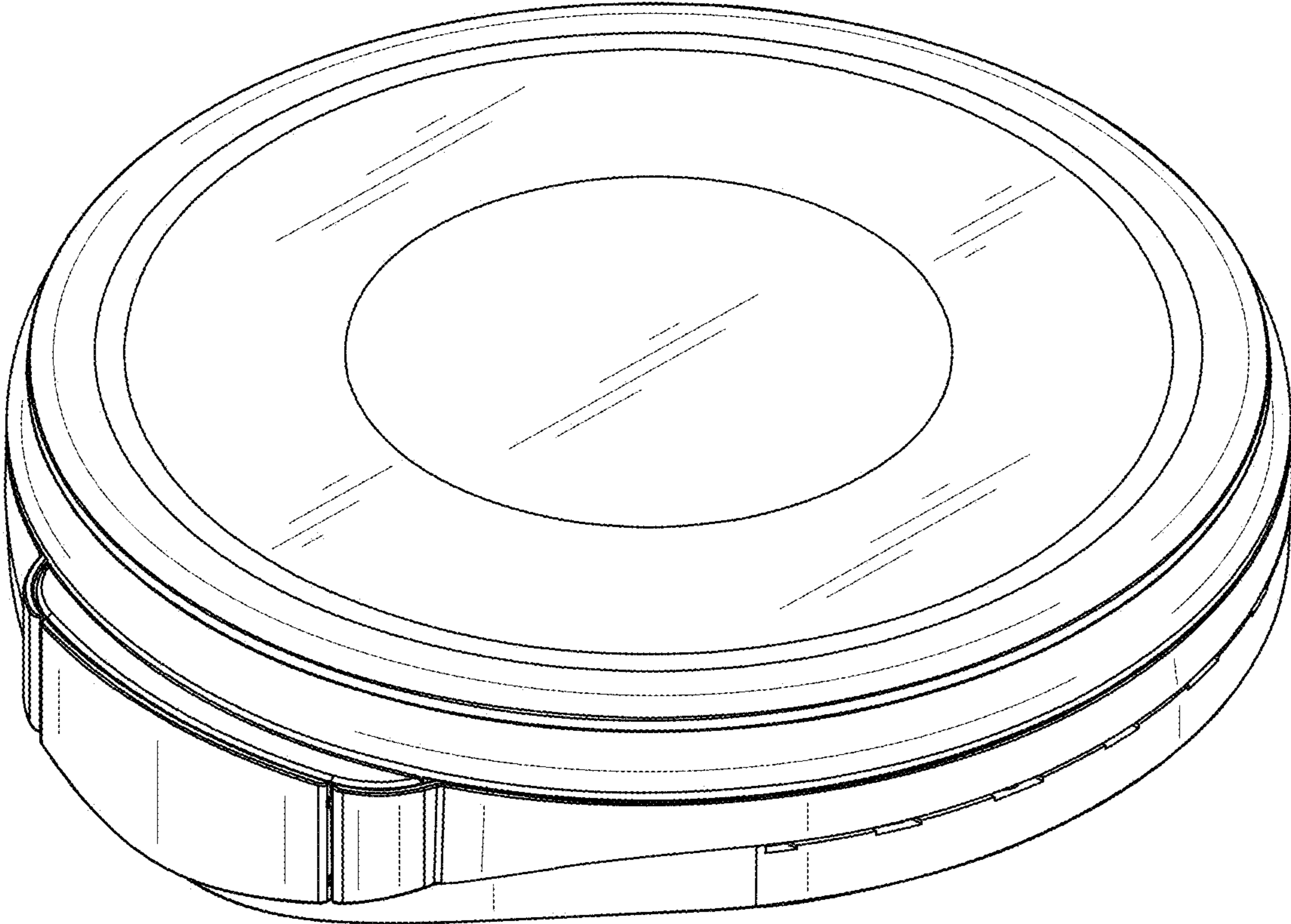


FIG. 1

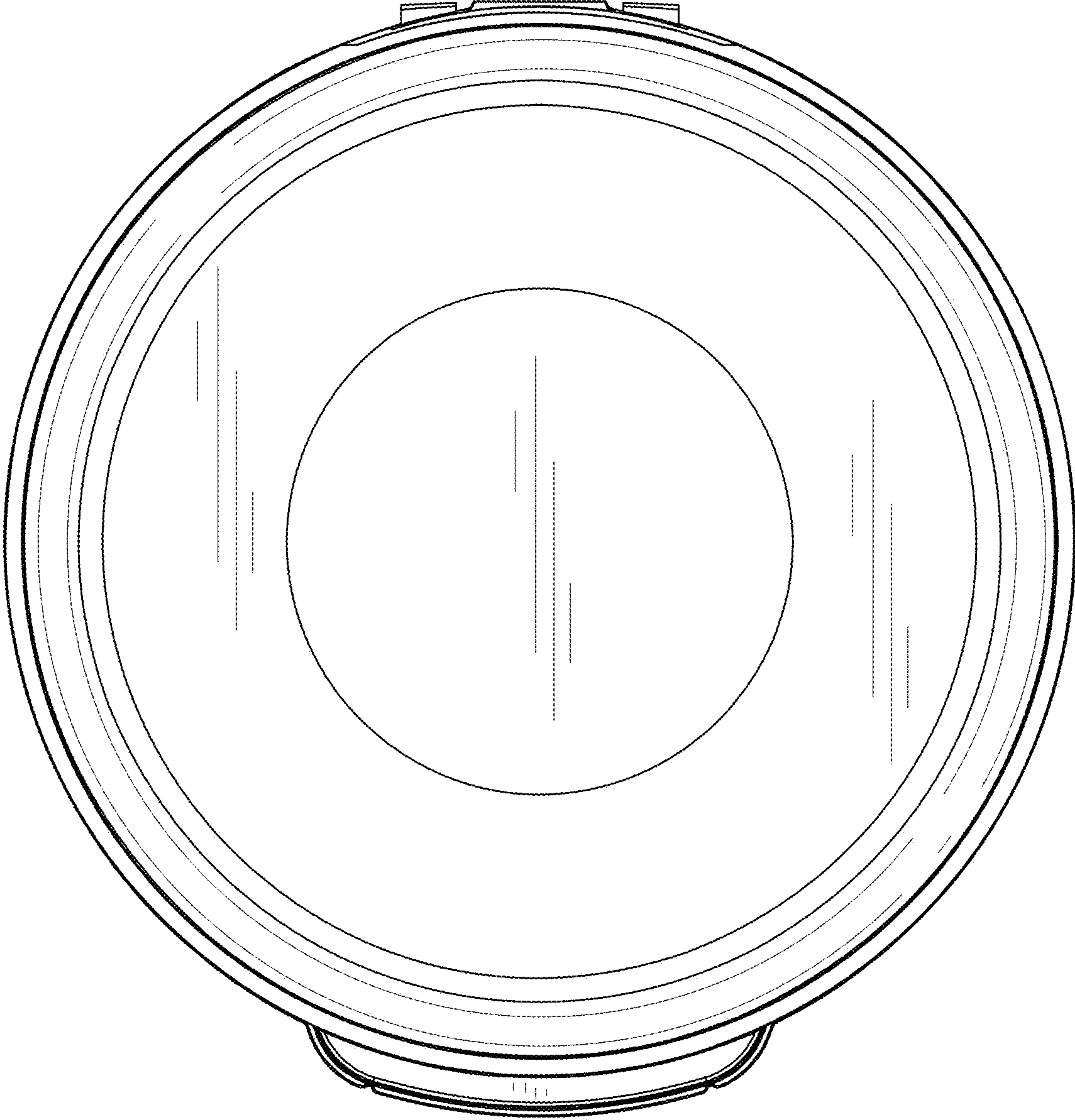


FIG. 2

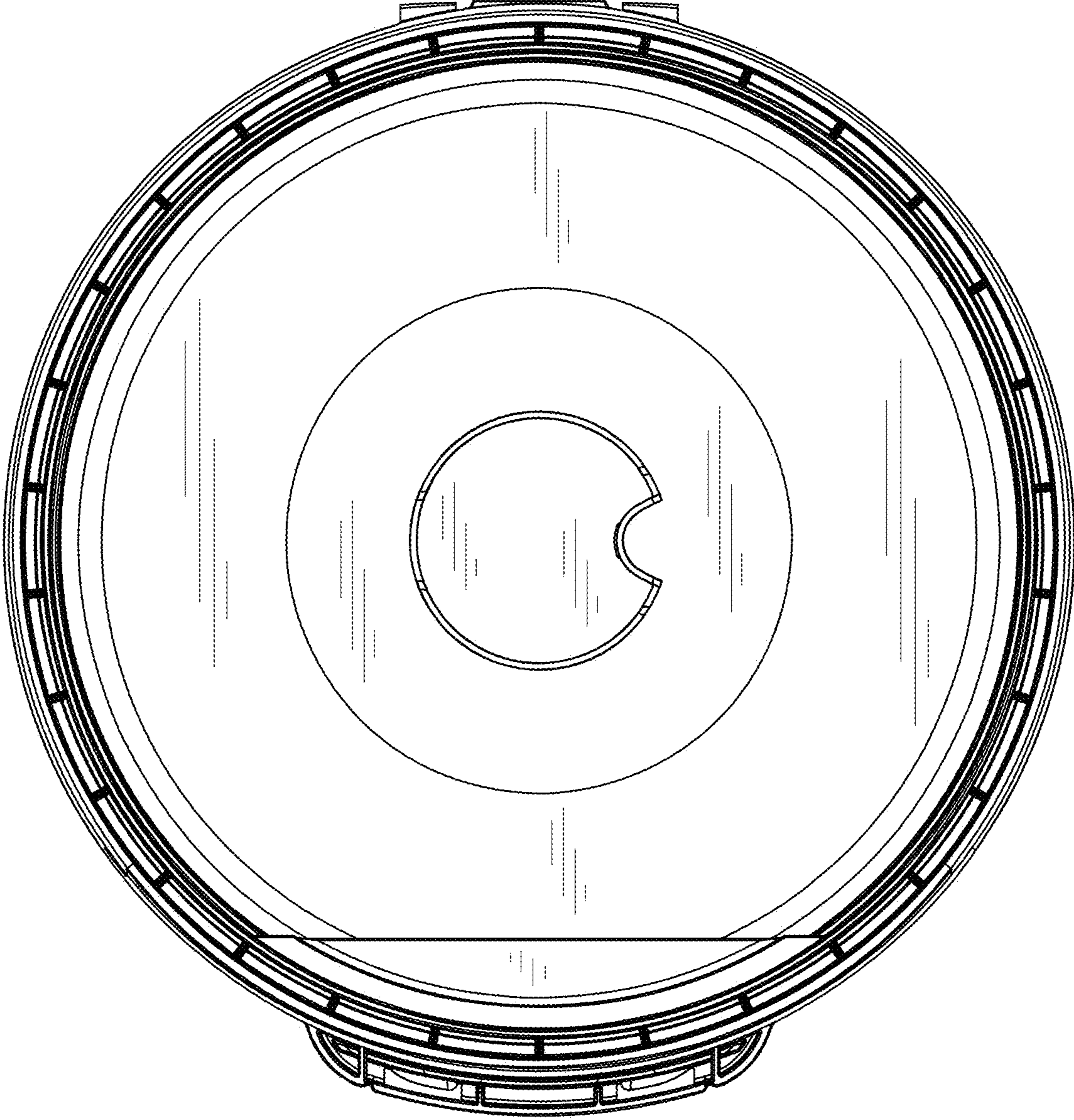


FIG. 3

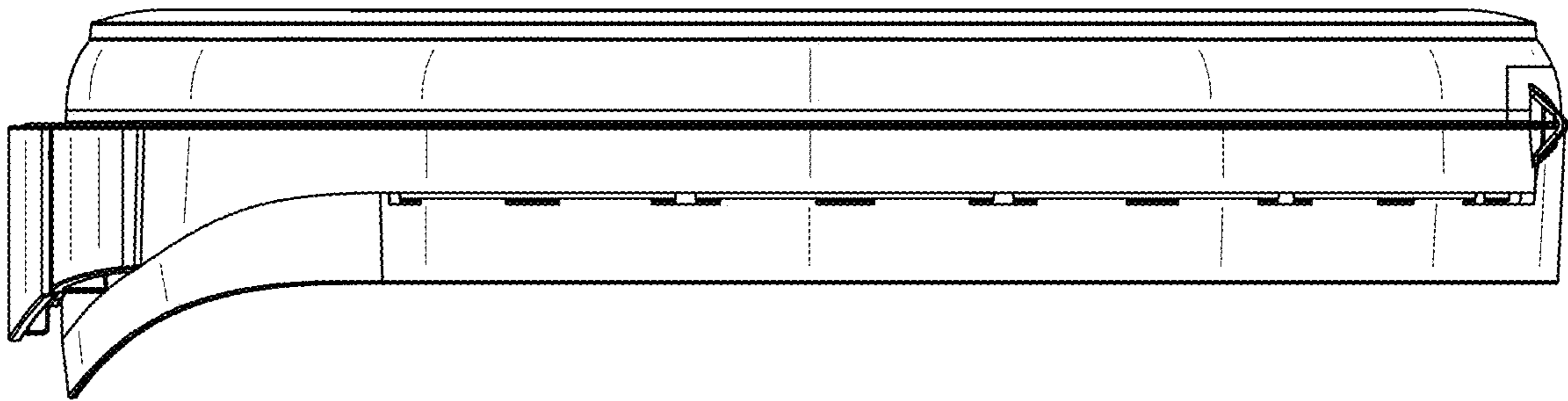


FIG. 4

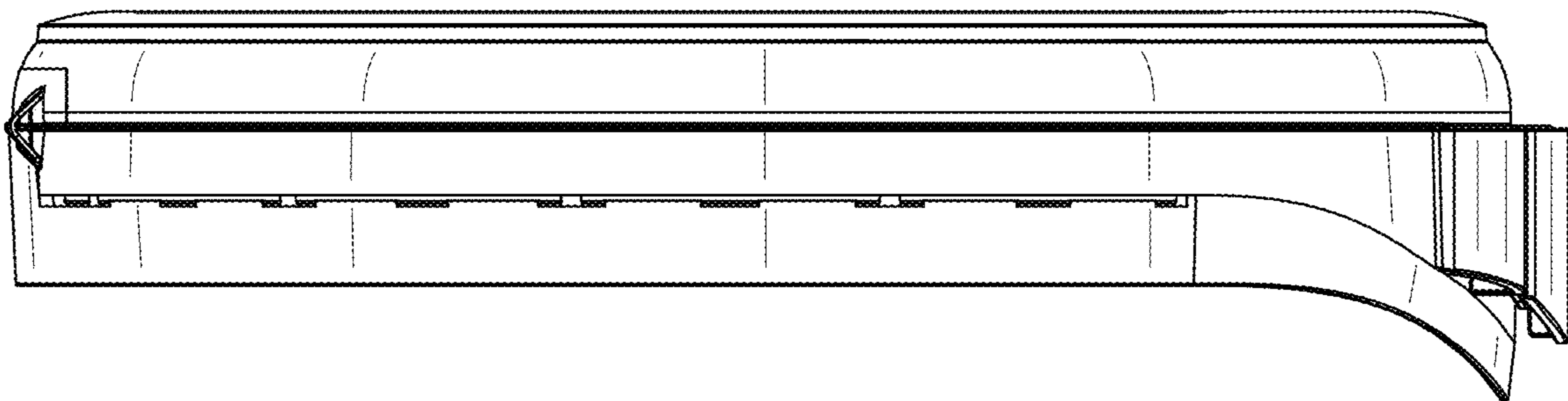


FIG. 5

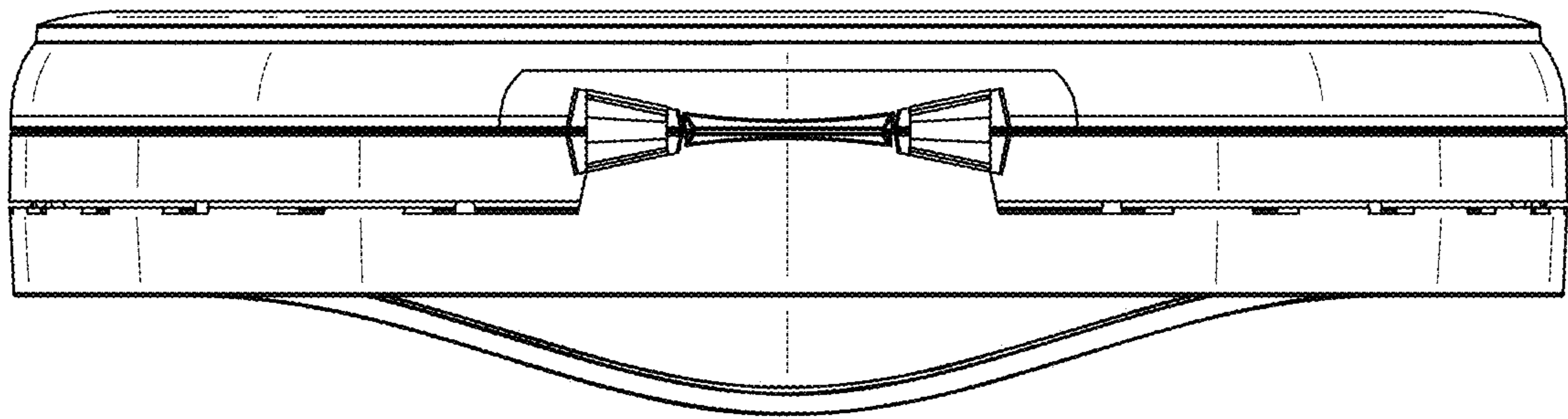


FIG. 6

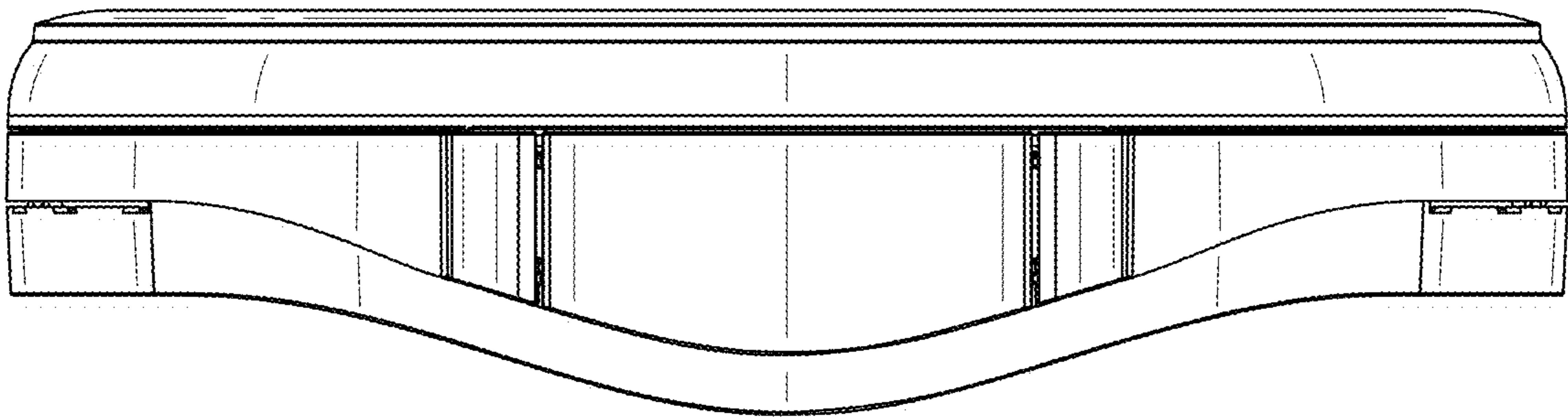


FIG. 7

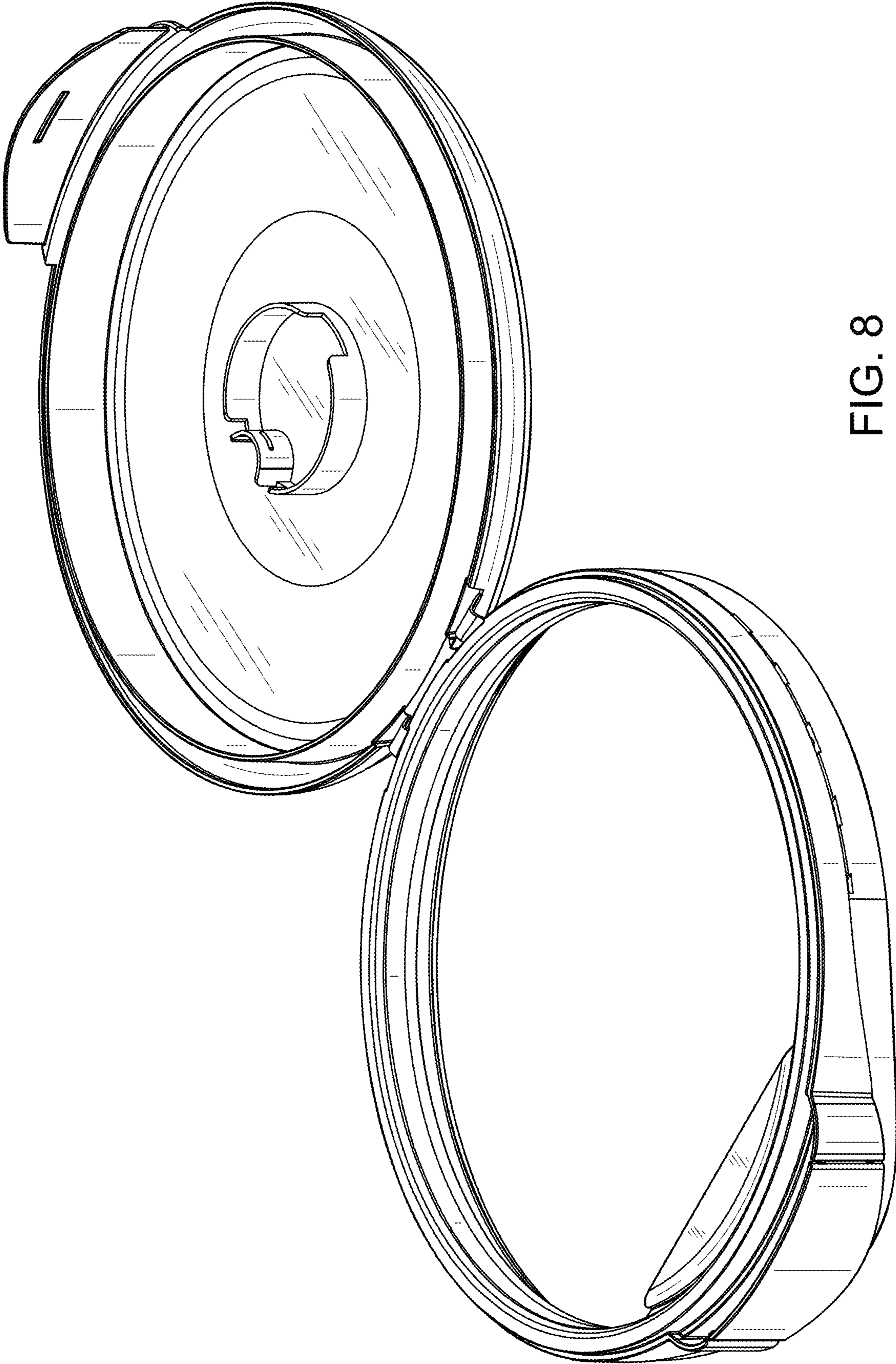


FIG. 8

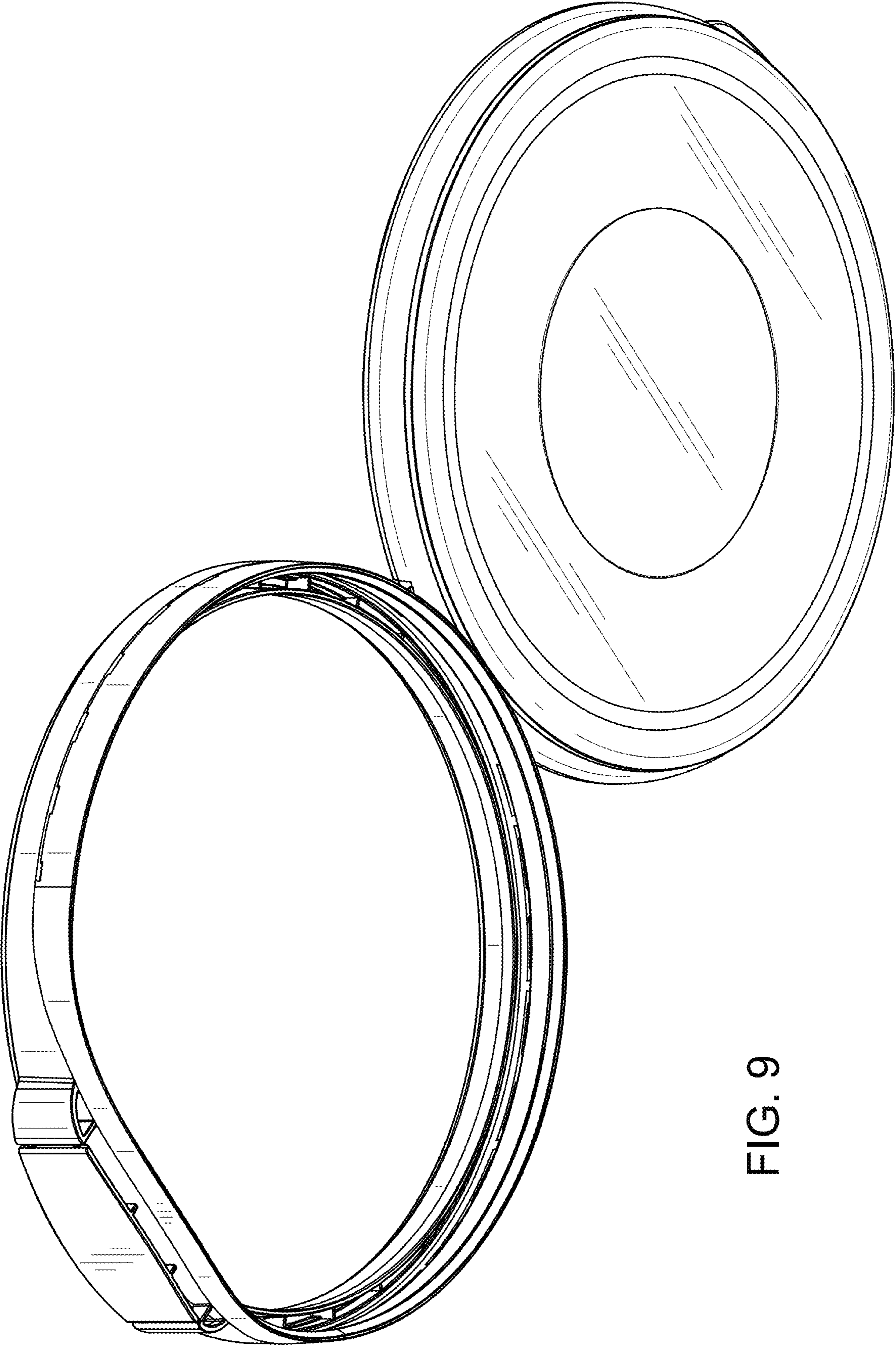


FIG. 9

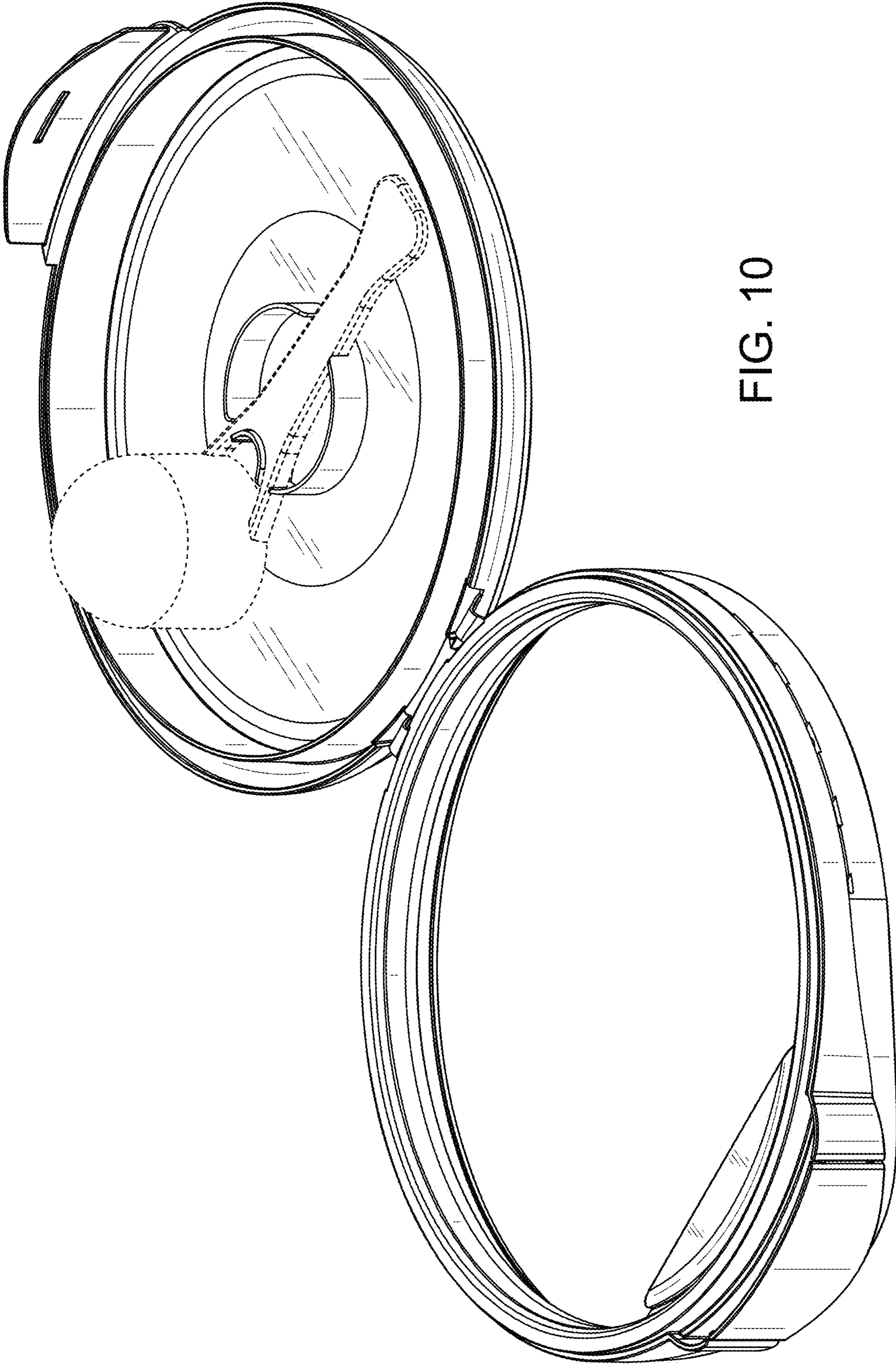


FIG. 10

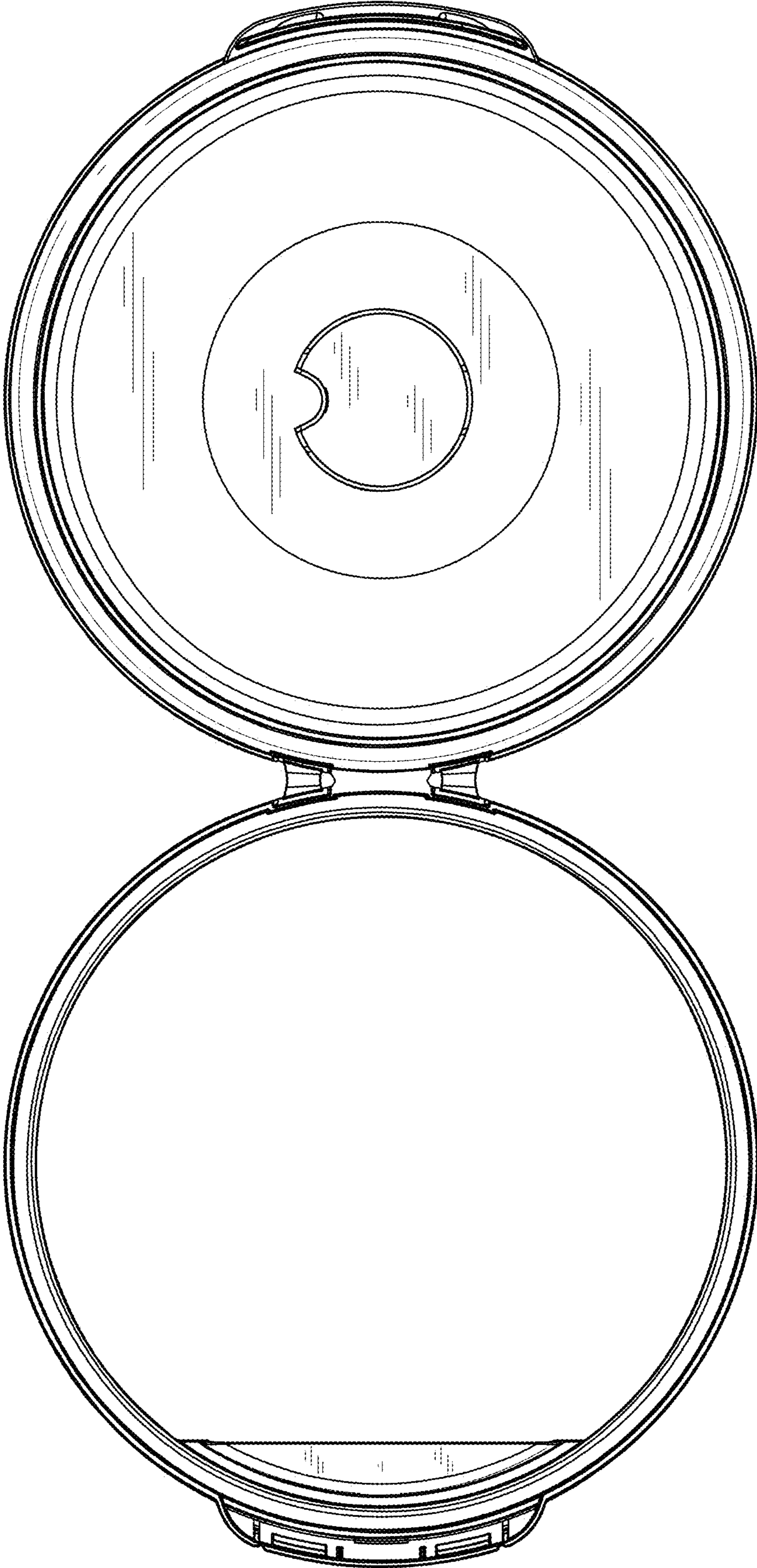


FIG. 11

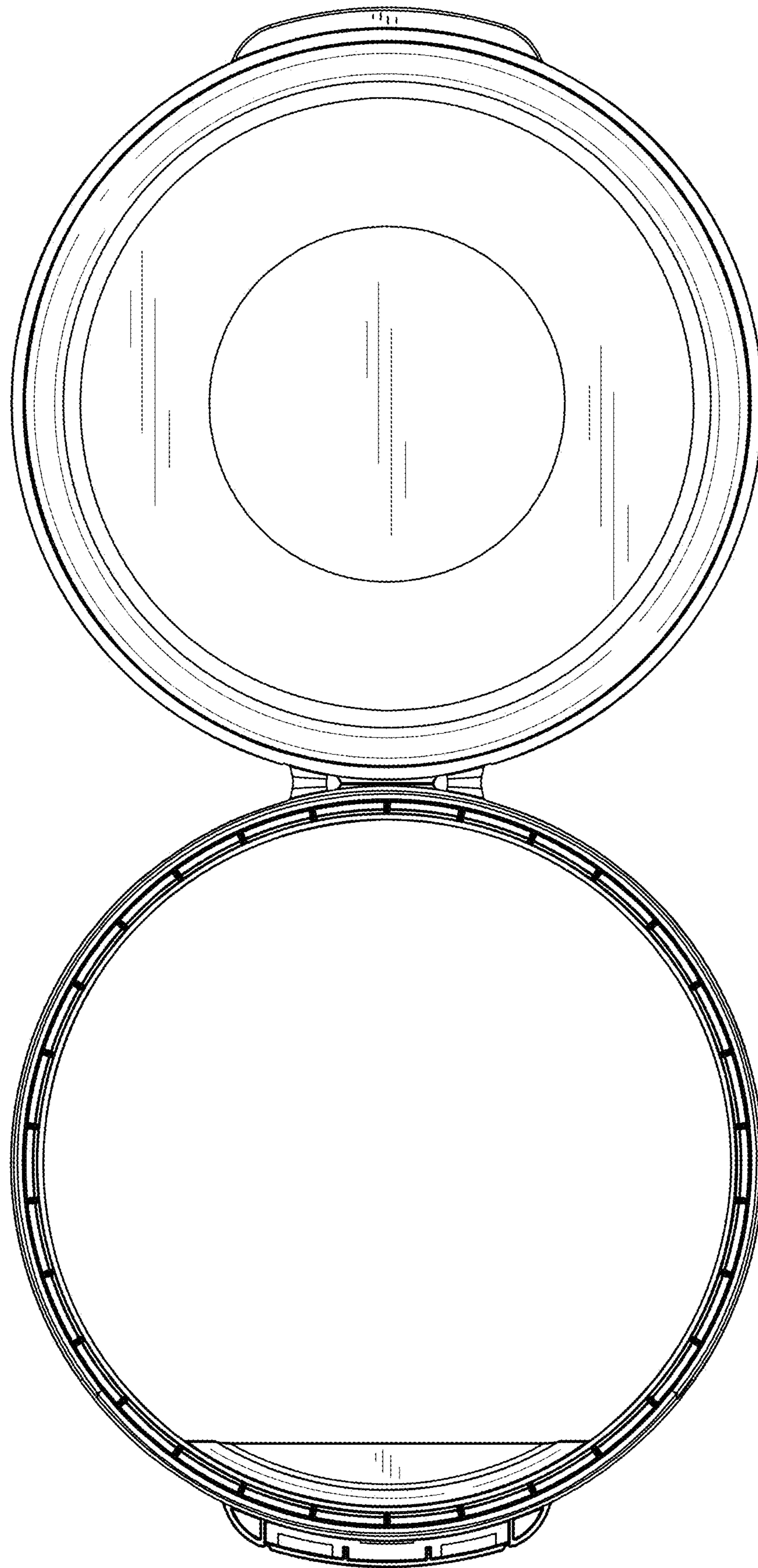


FIG. 12

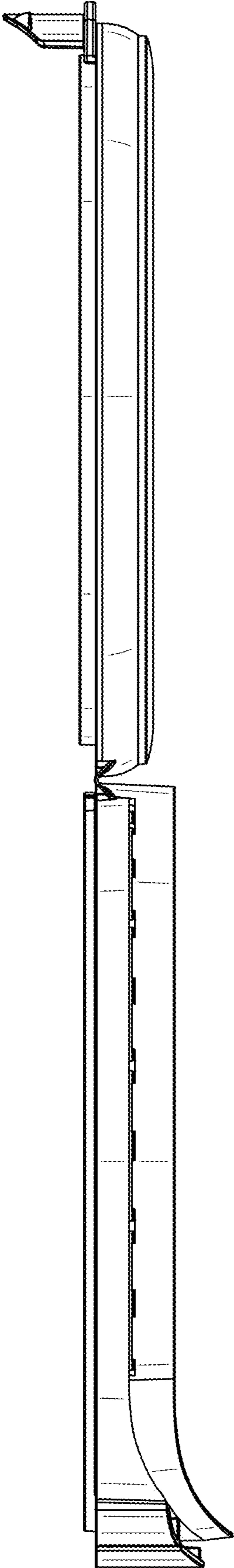


FIG. 13

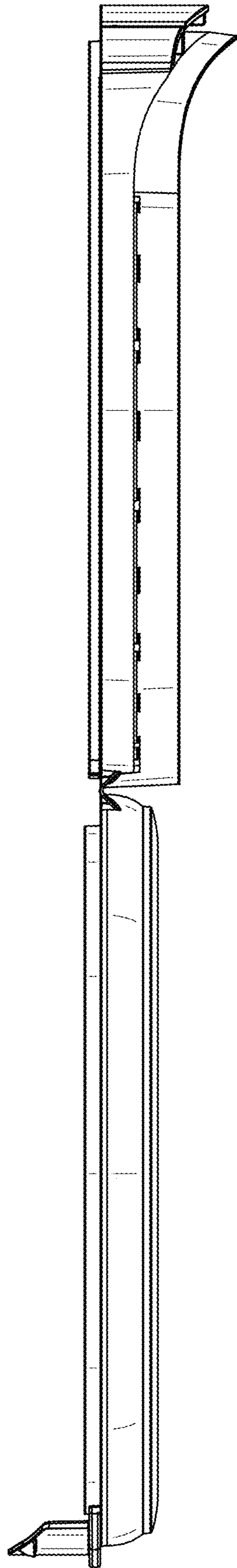


FIG. 14

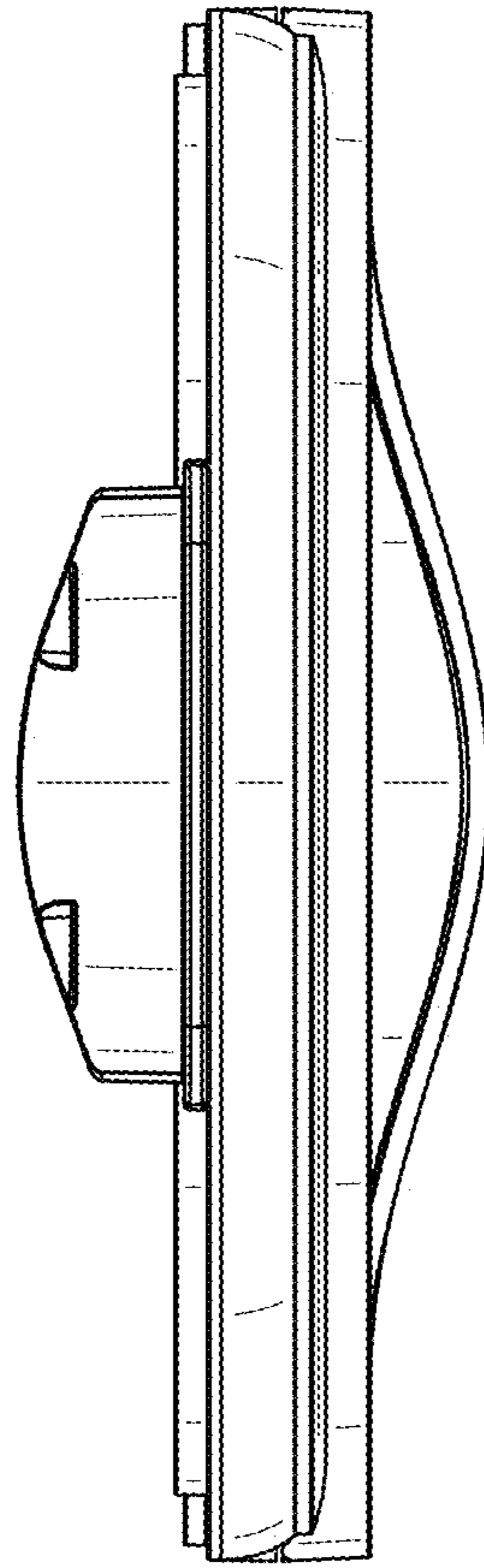


FIG. 15

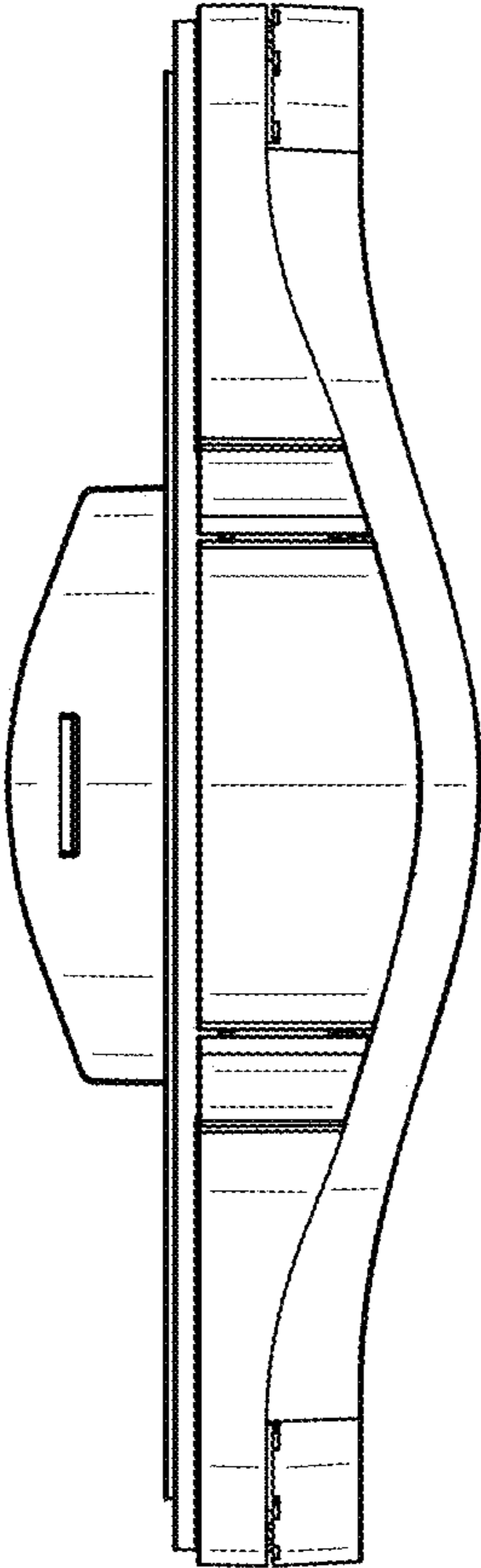


FIG. 16

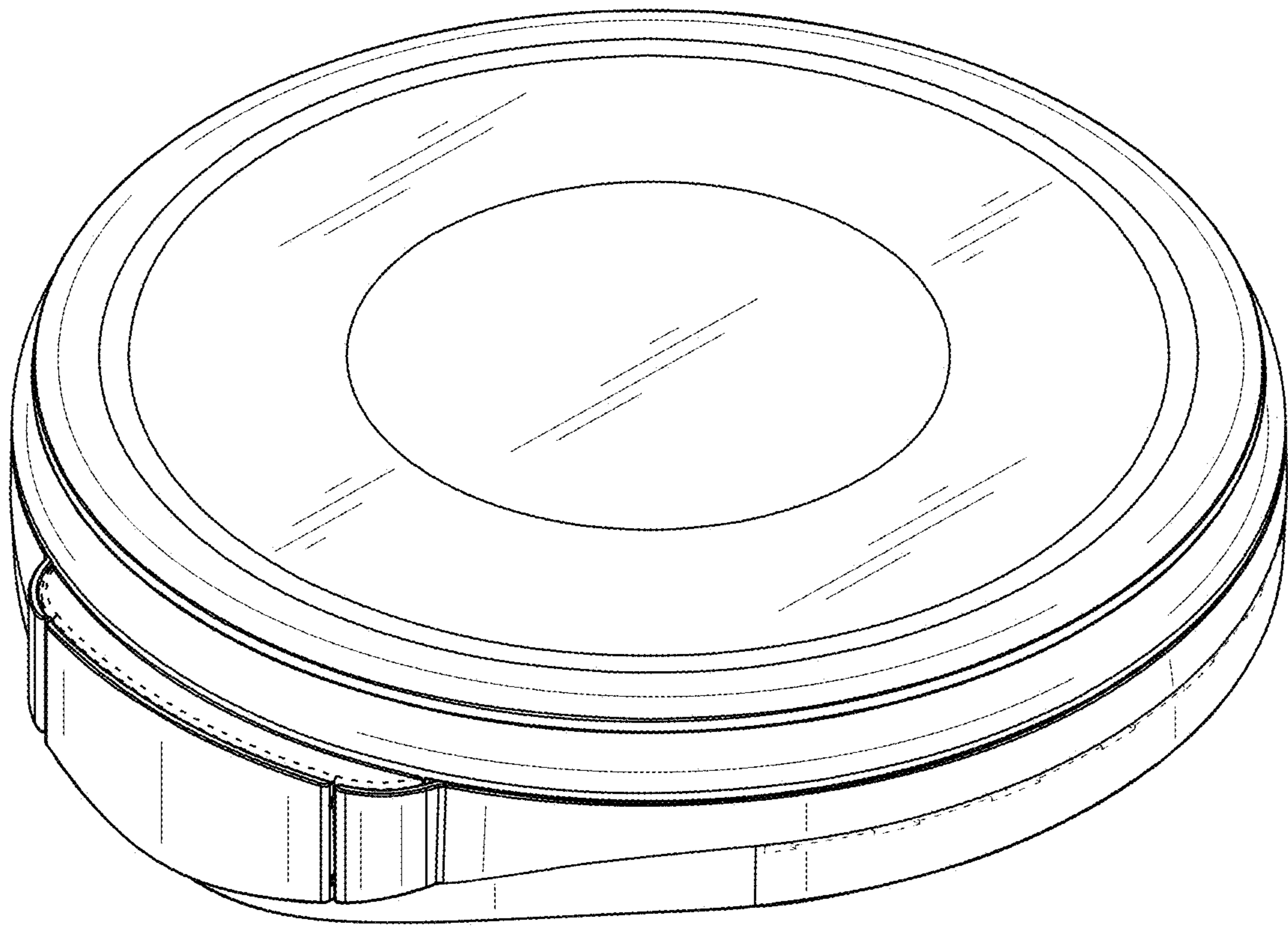


FIG. 17

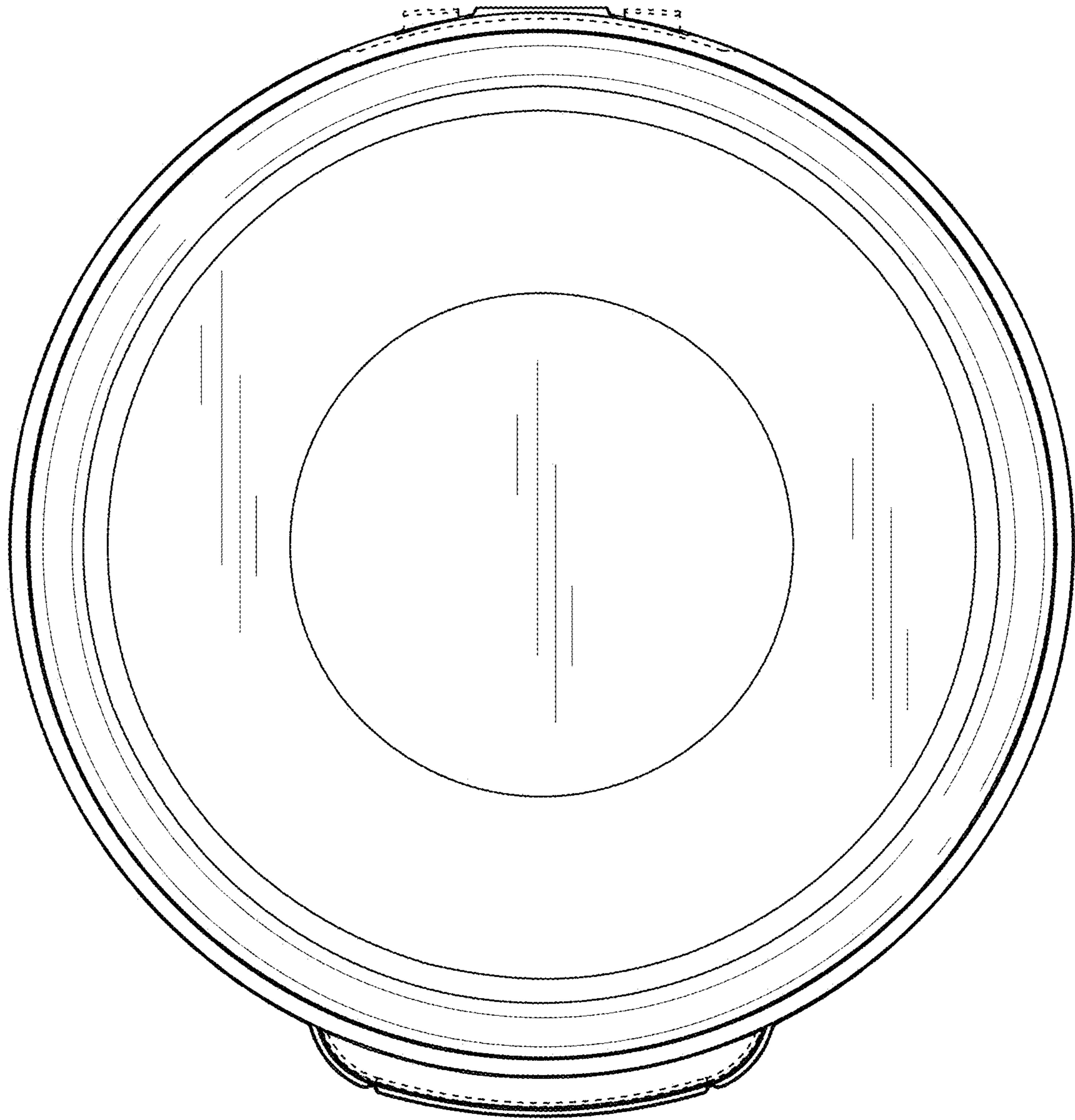


FIG. 18

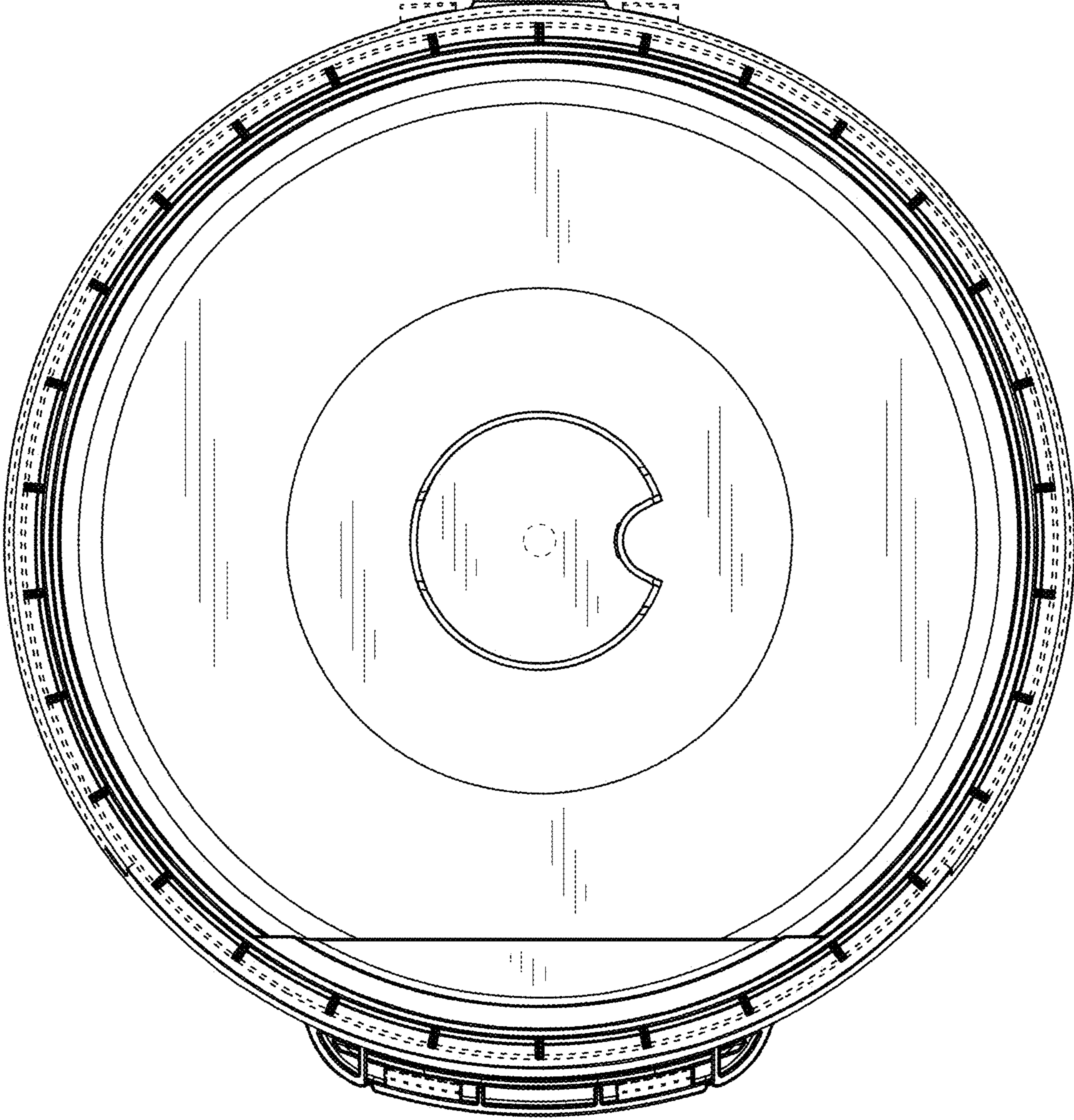


FIG. 19

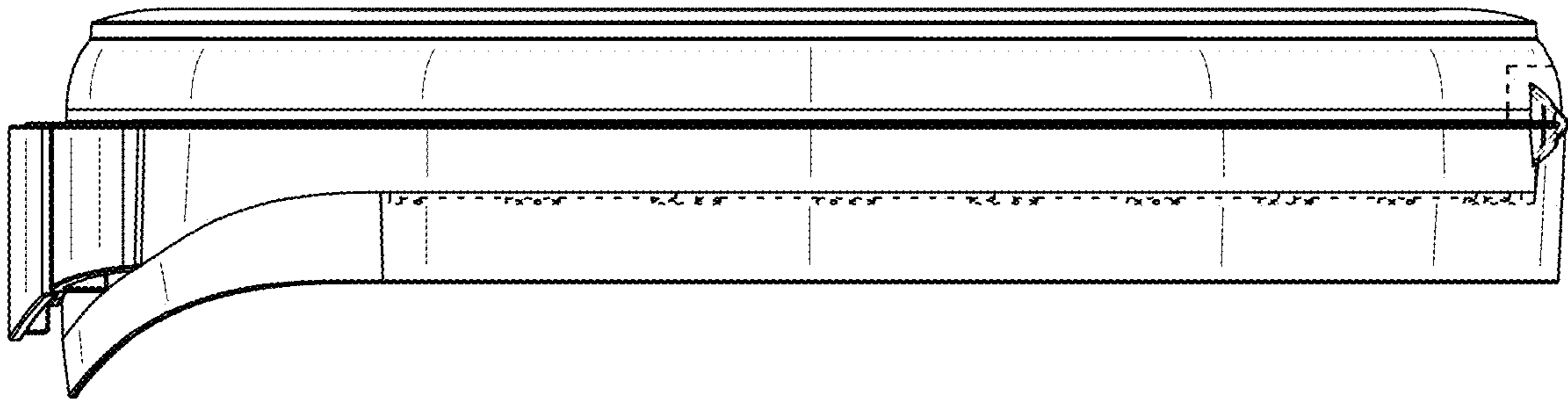


FIG. 20

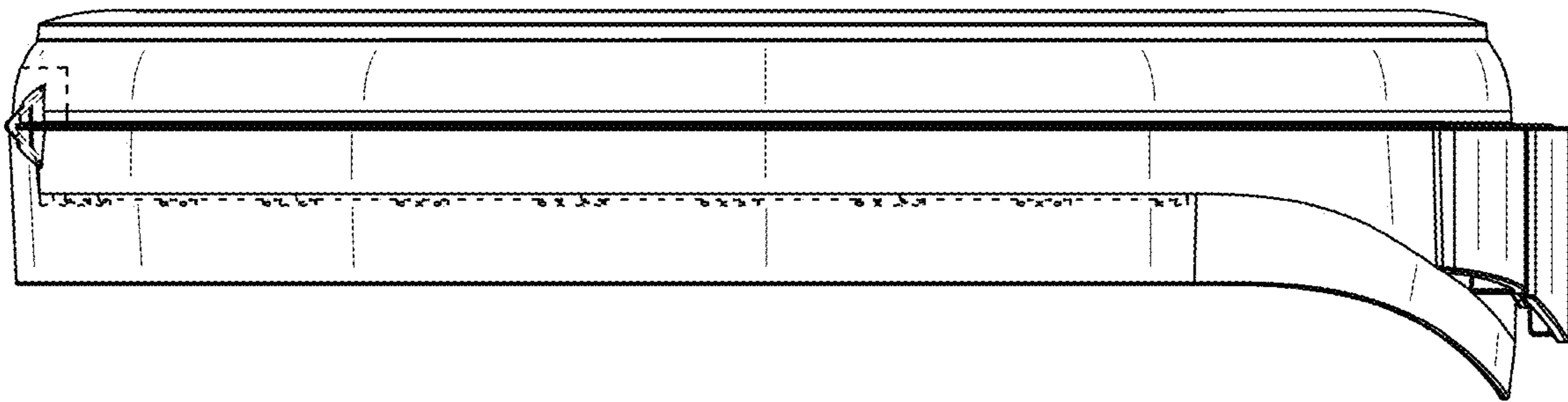


FIG. 21

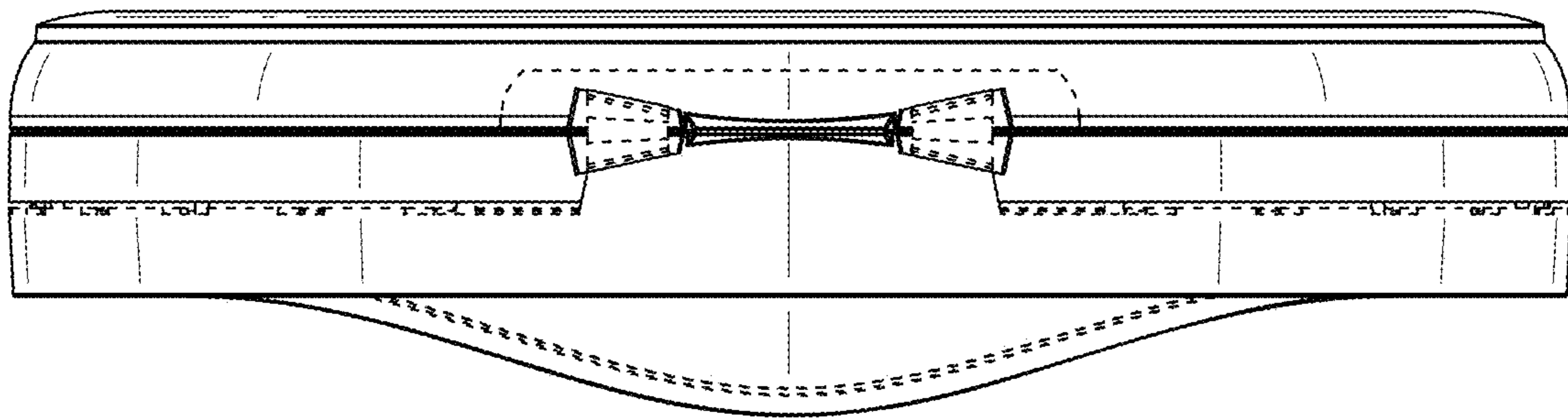


FIG. 22

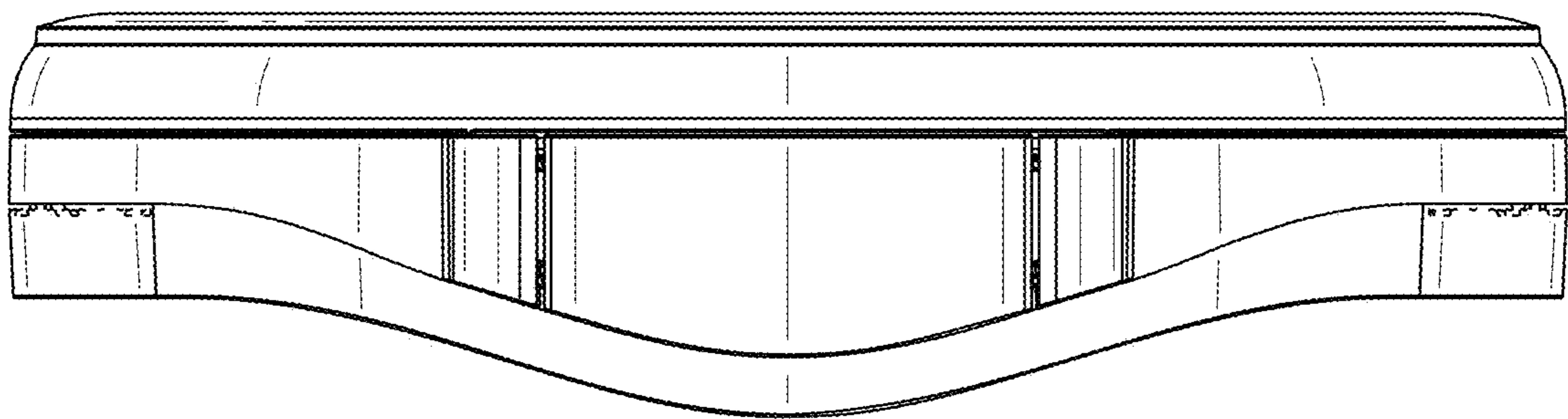


FIG. 23

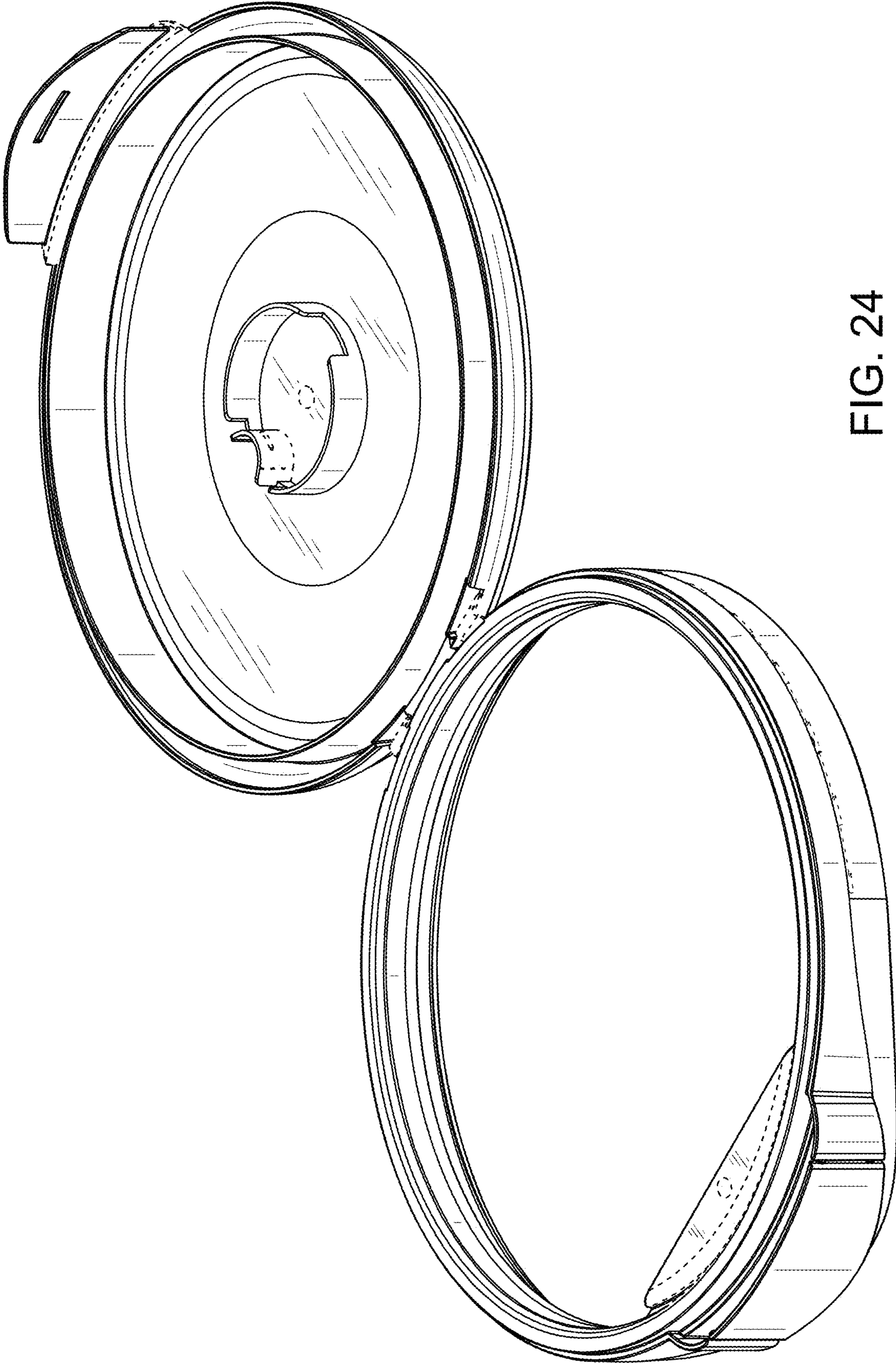


FIG. 24

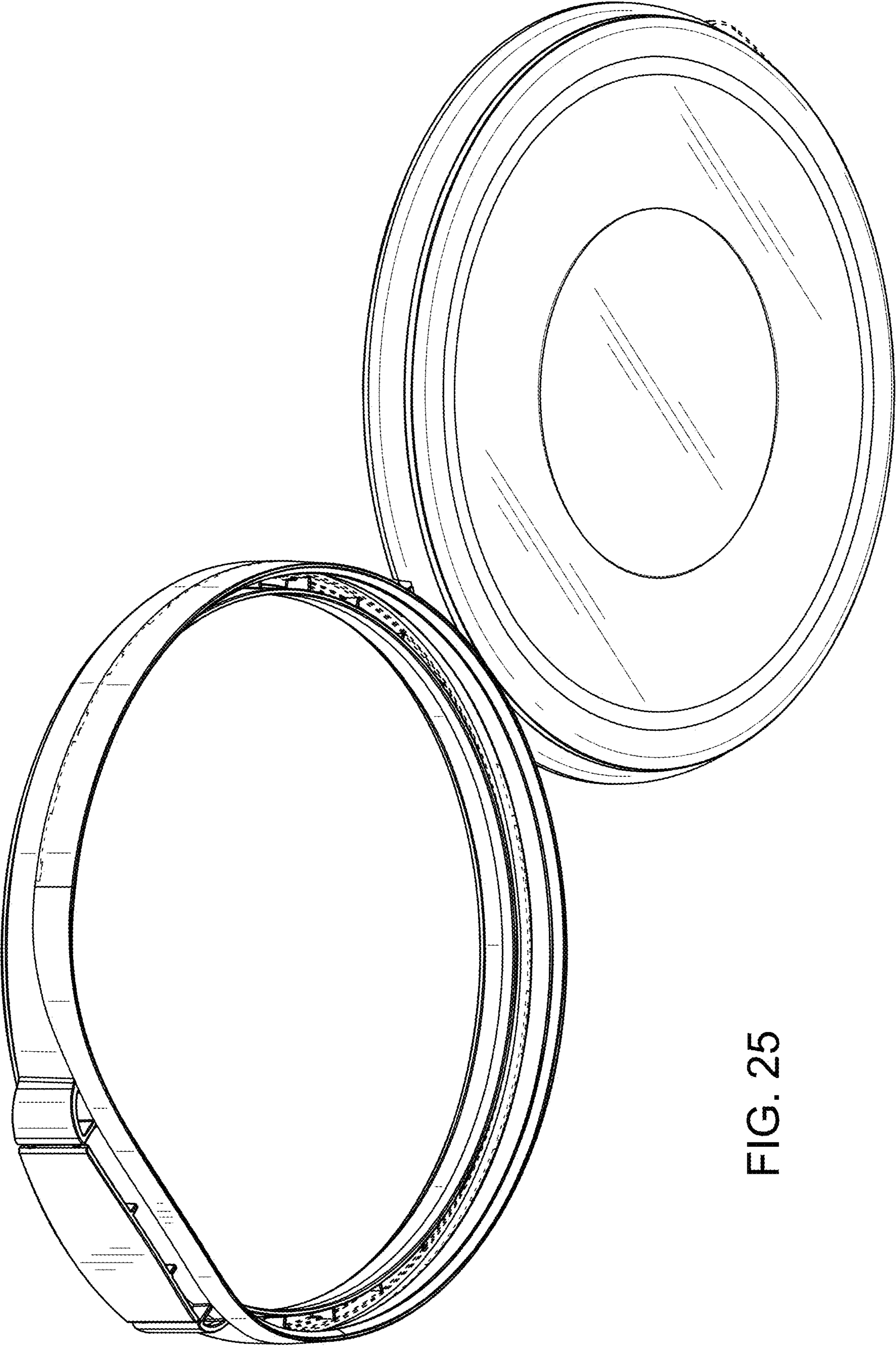


FIG. 25

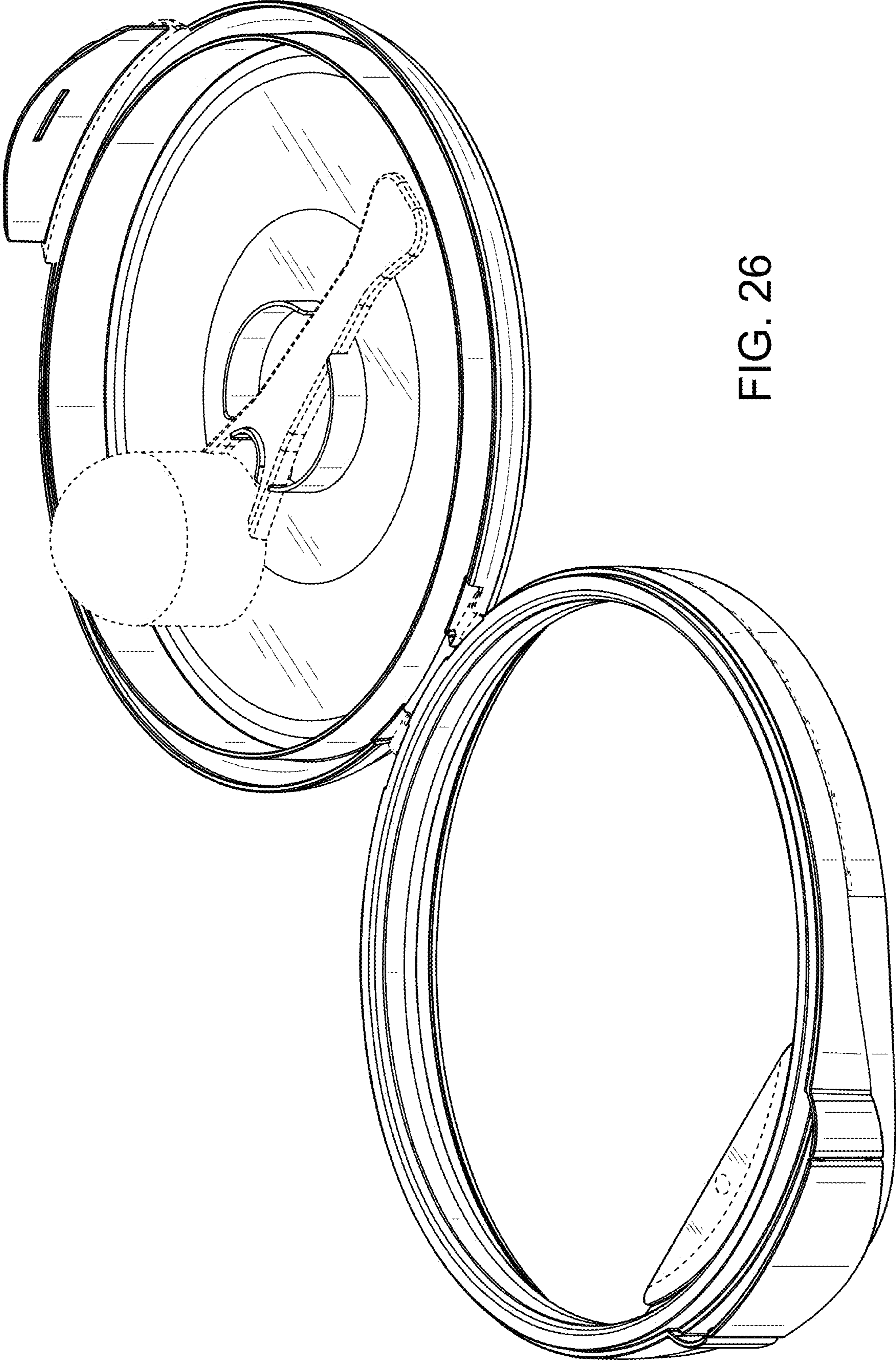


FIG. 26

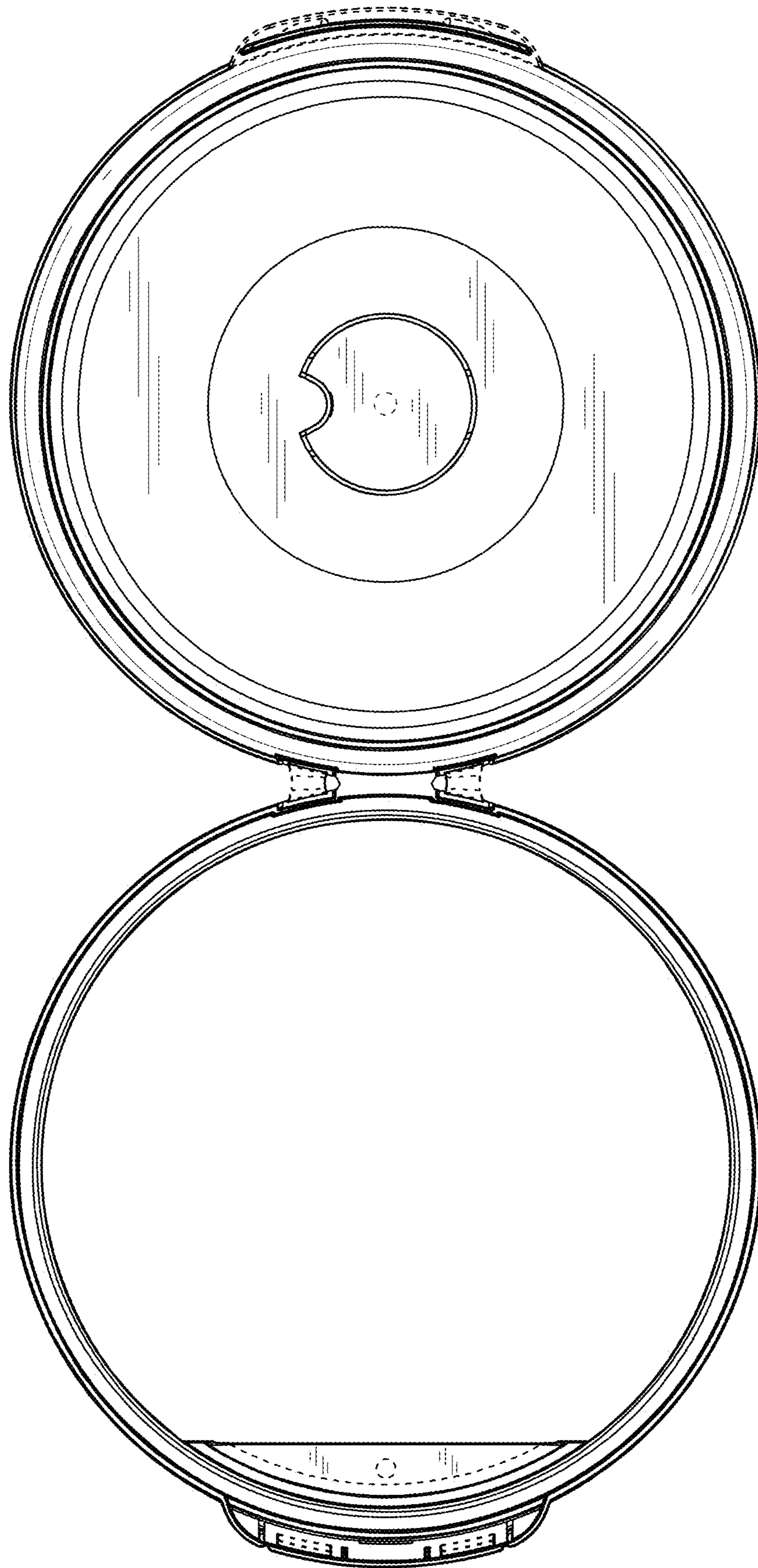


FIG. 27

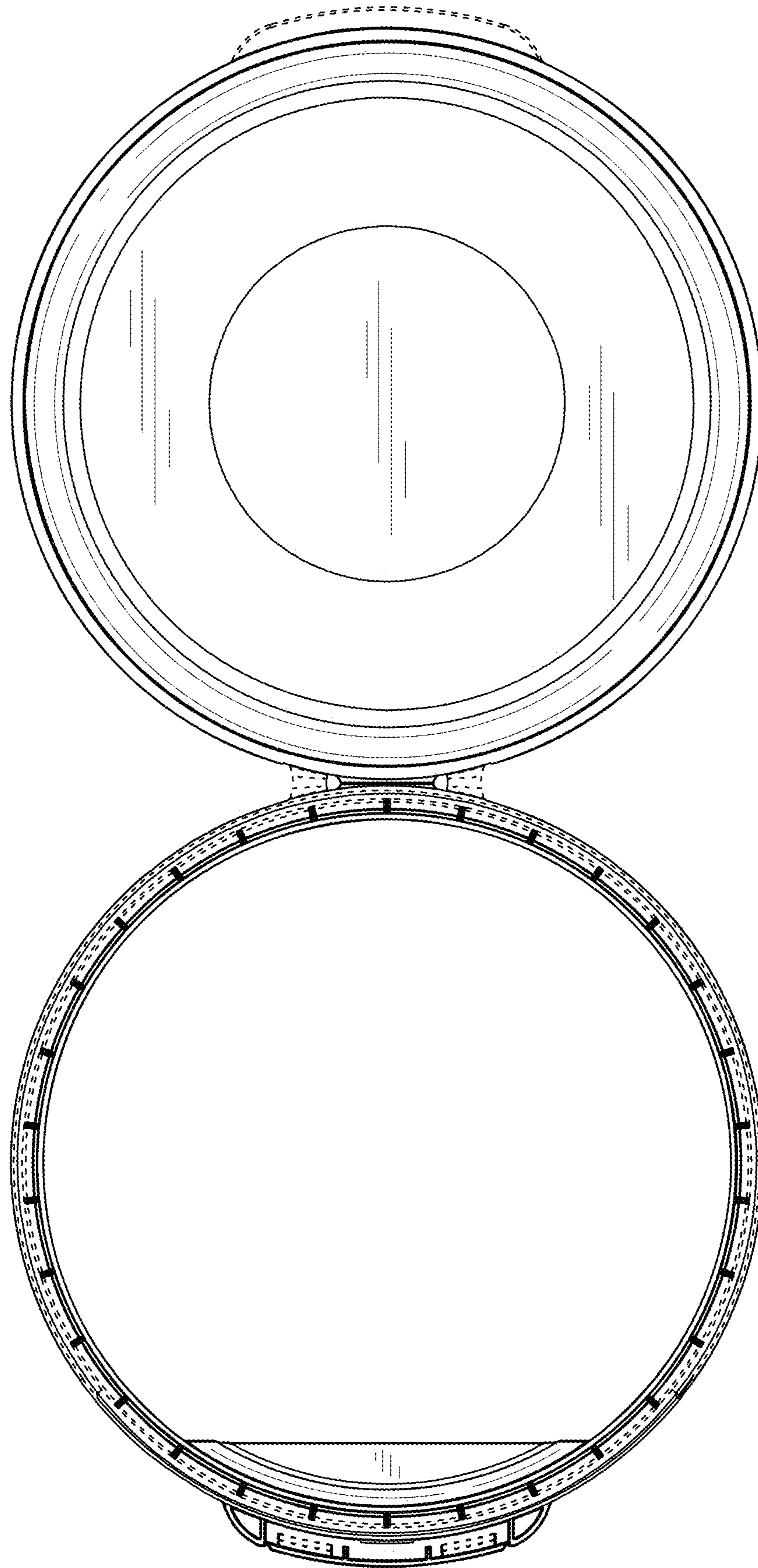


FIG. 28

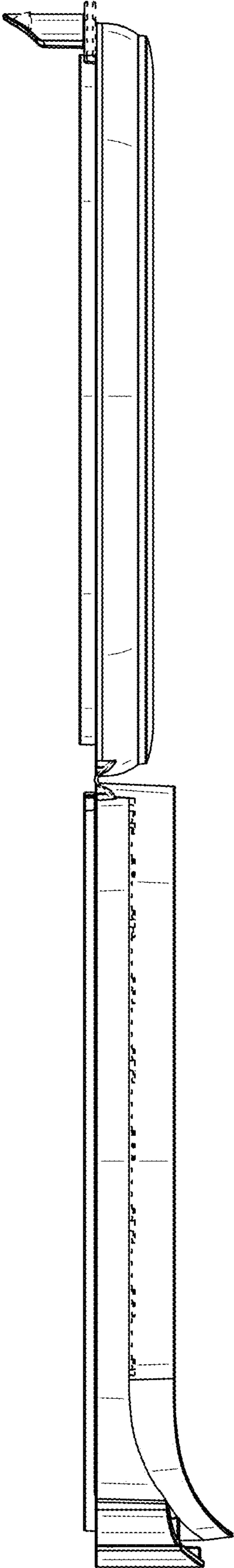


FIG. 29

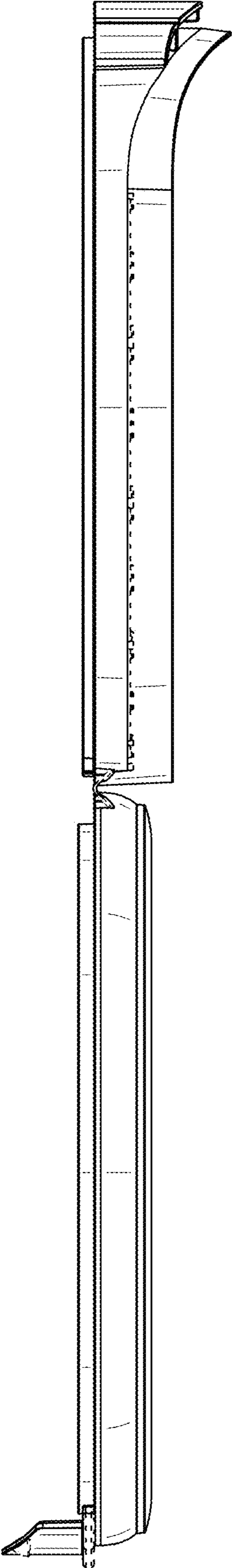


FIG. 30

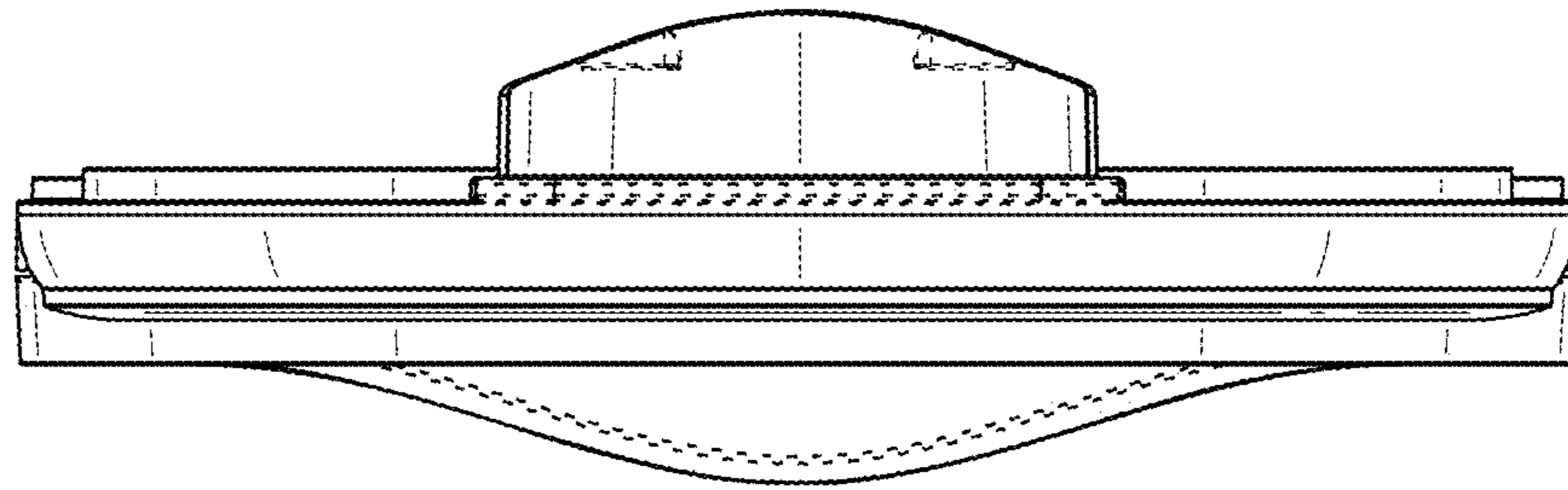


FIG. 31

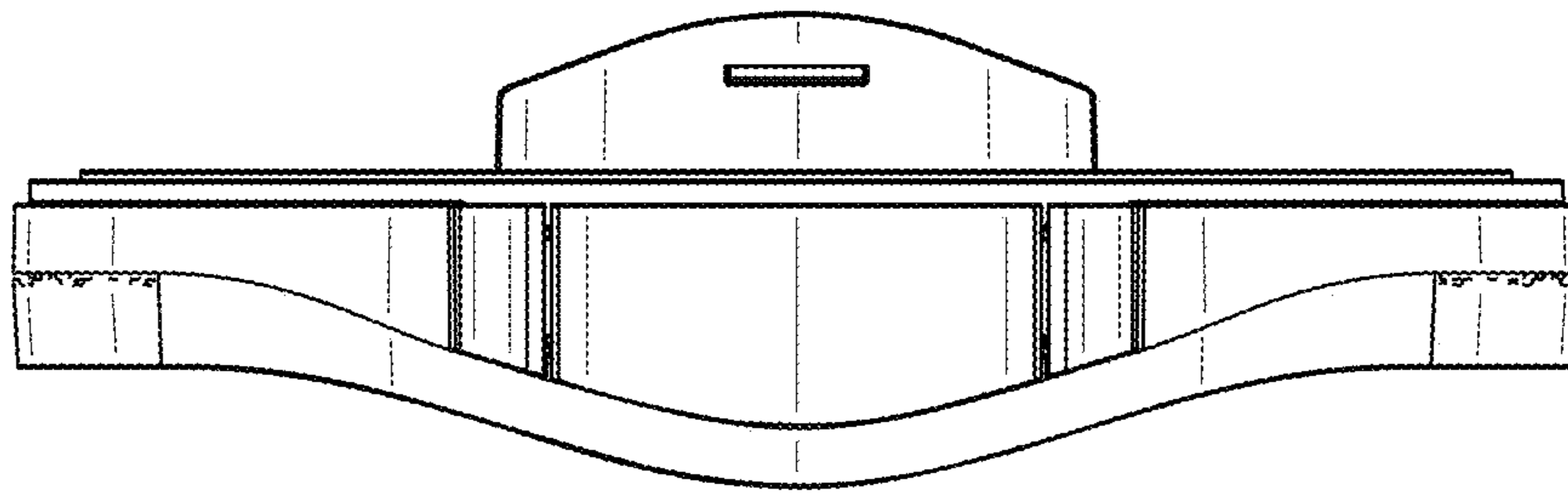


FIG. 32

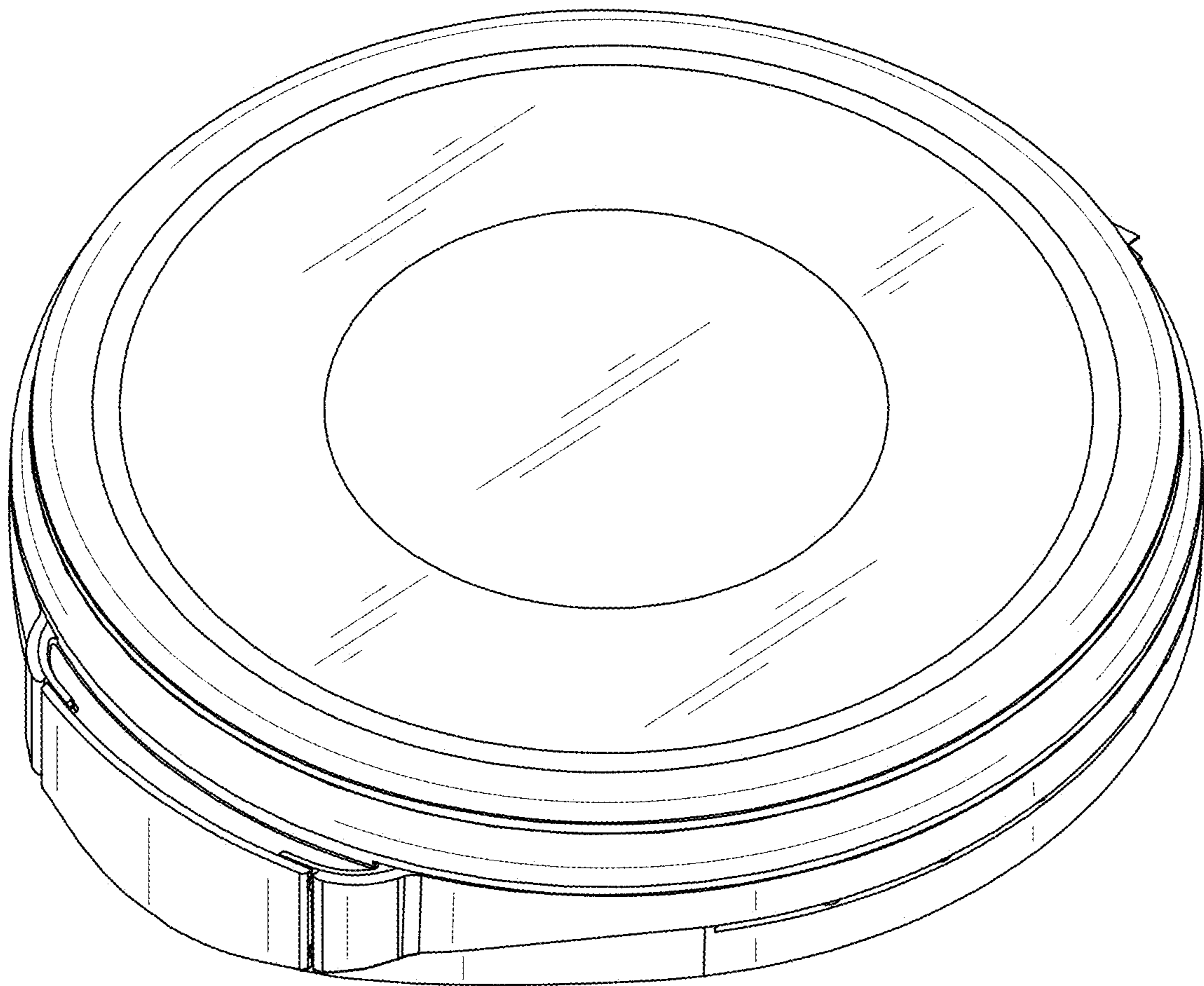


FIG. 33

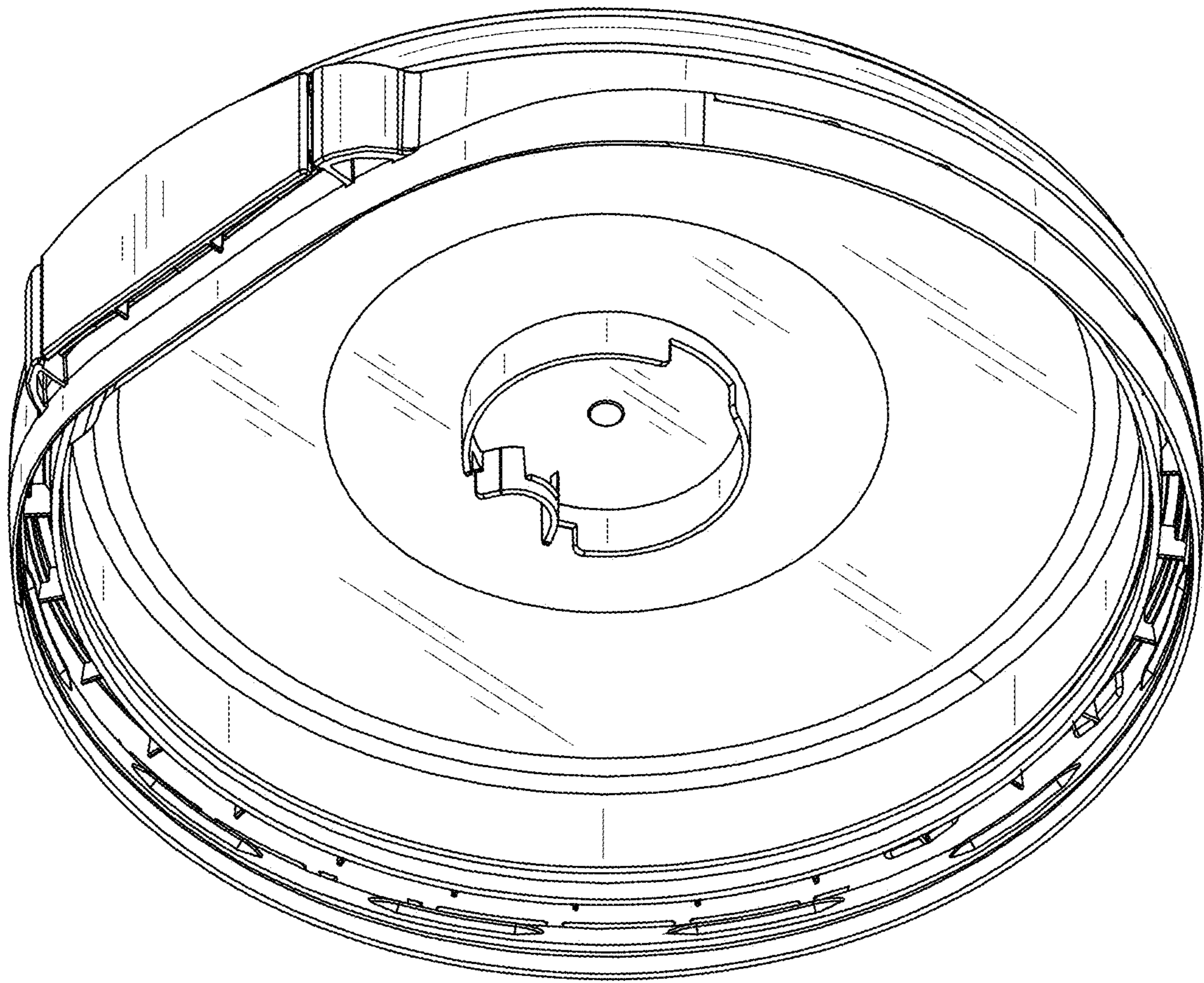


FIG. 34

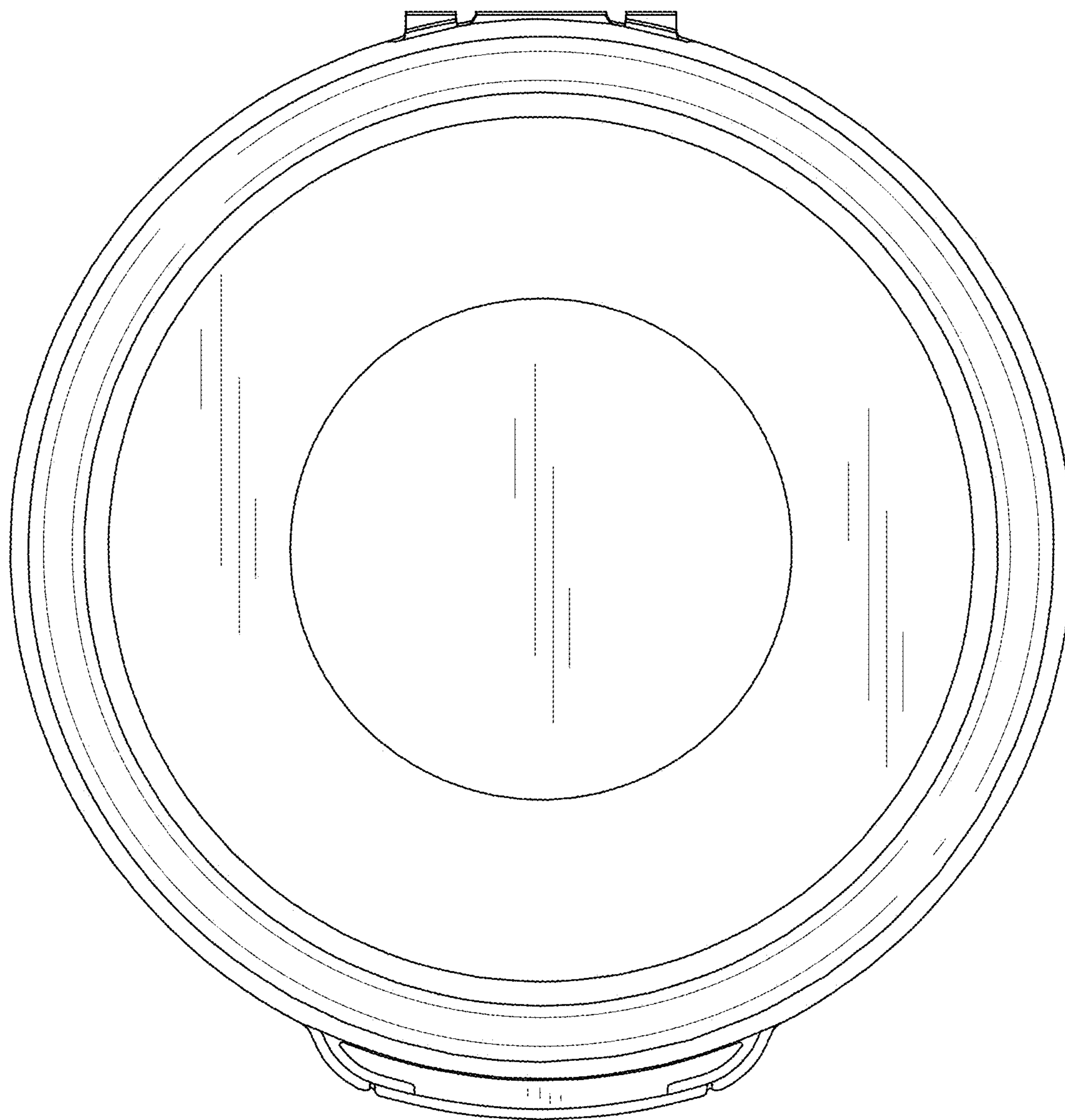


FIG. 35

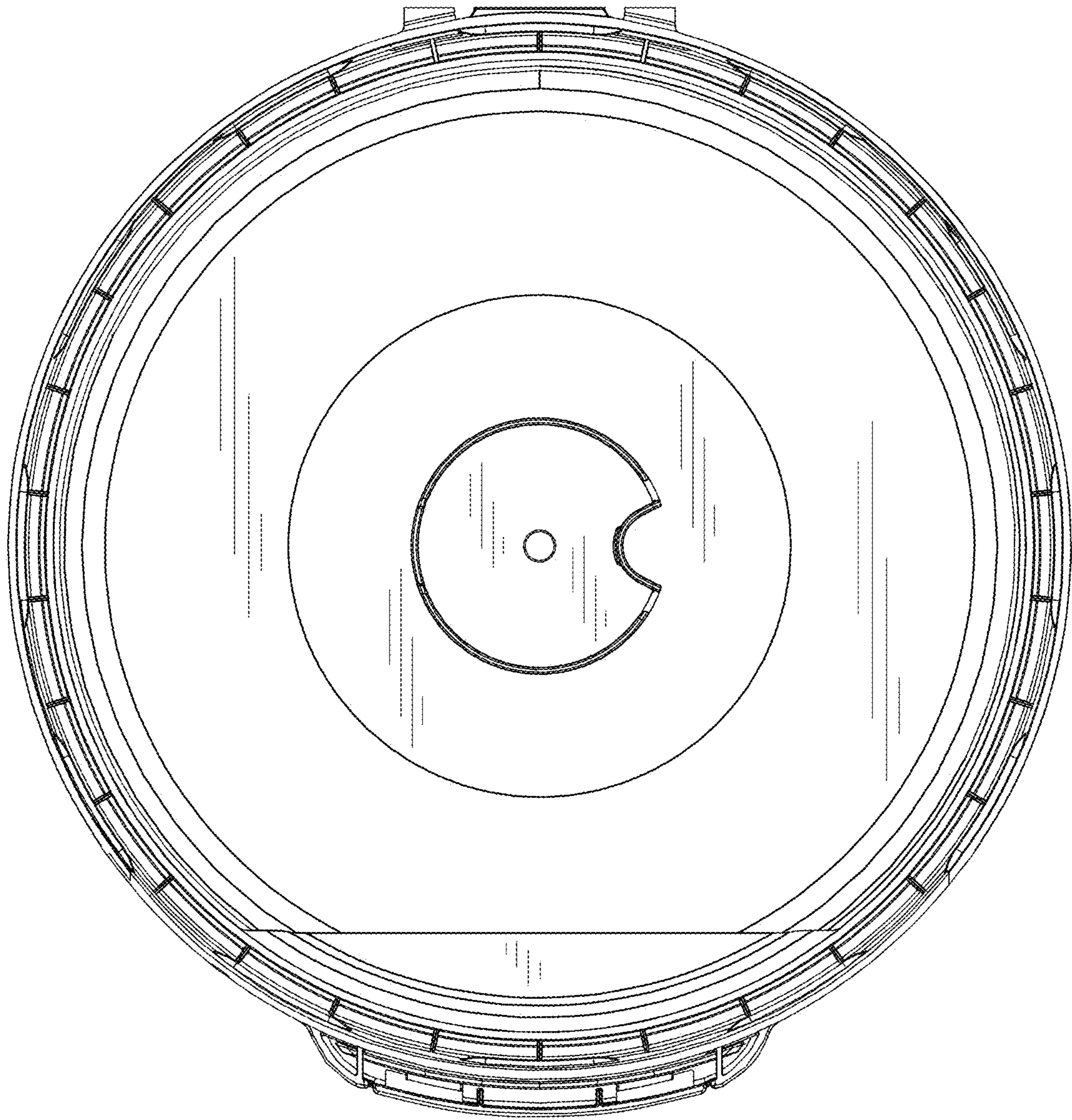


FIG. 36

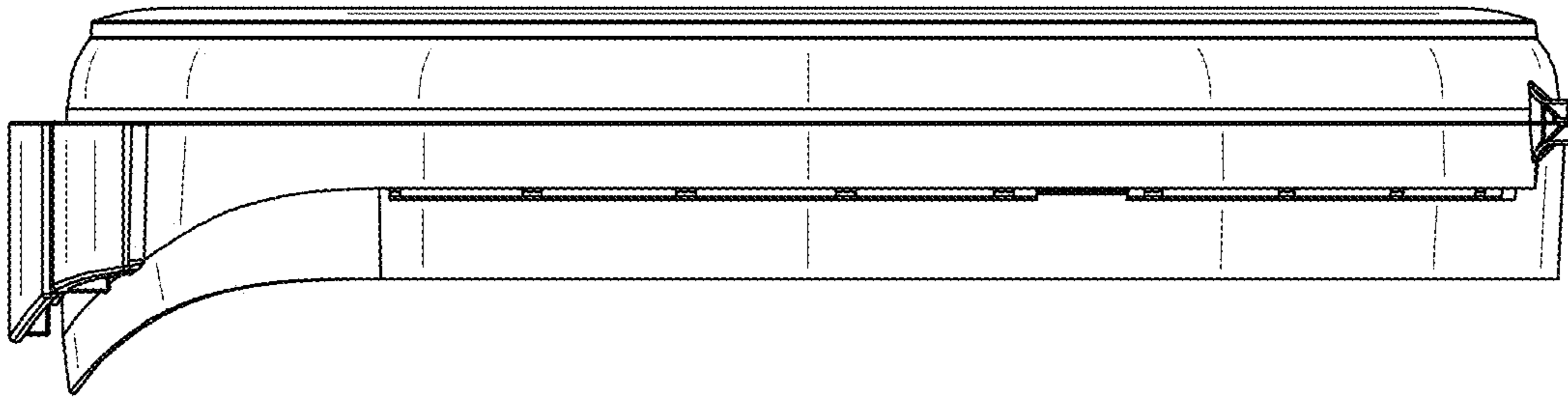


FIG. 37

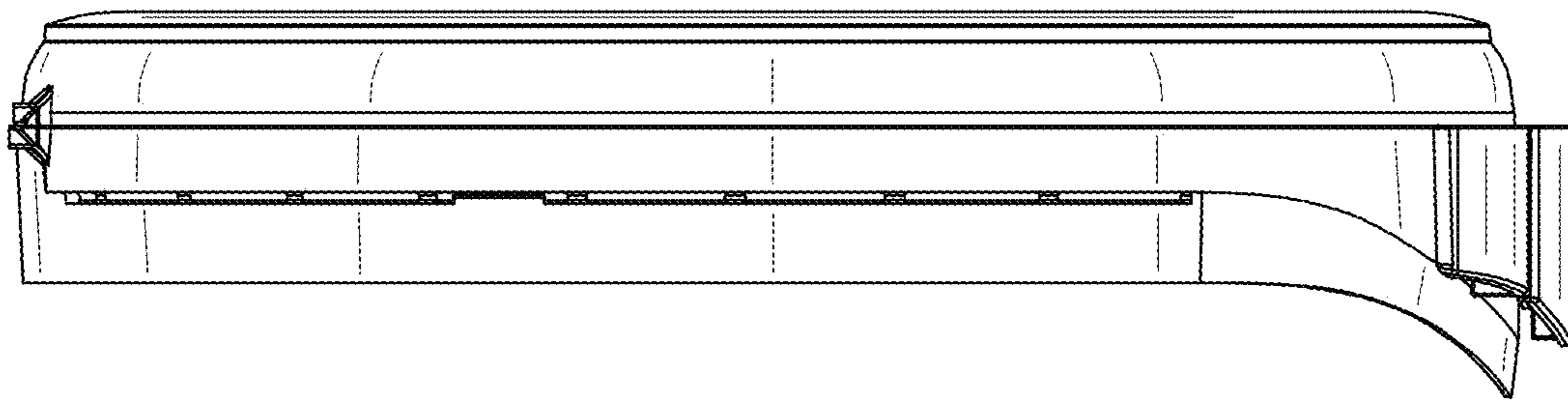


FIG. 38

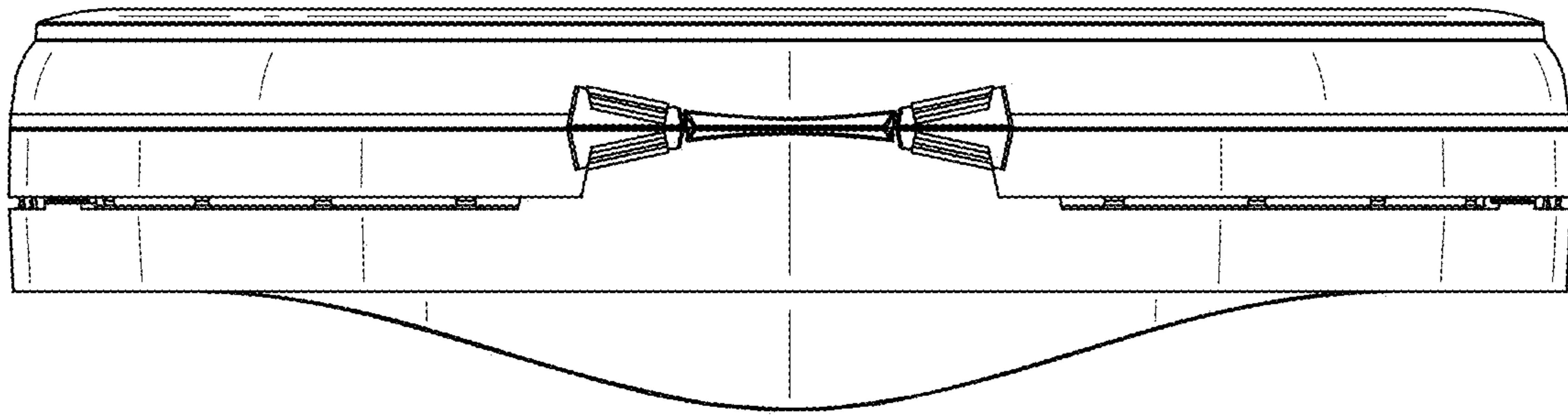


FIG. 39

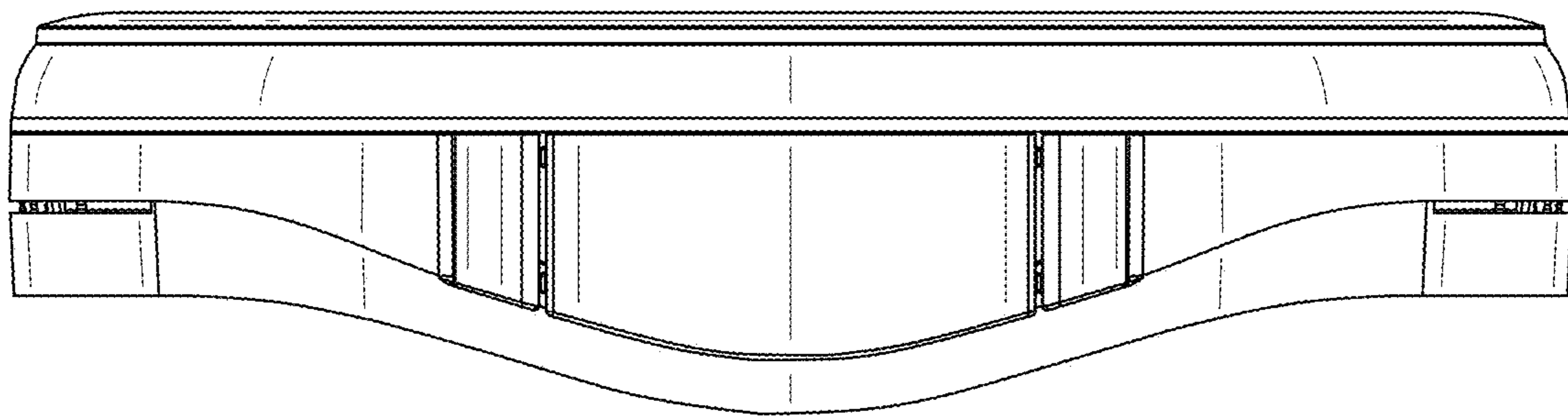


FIG. 40

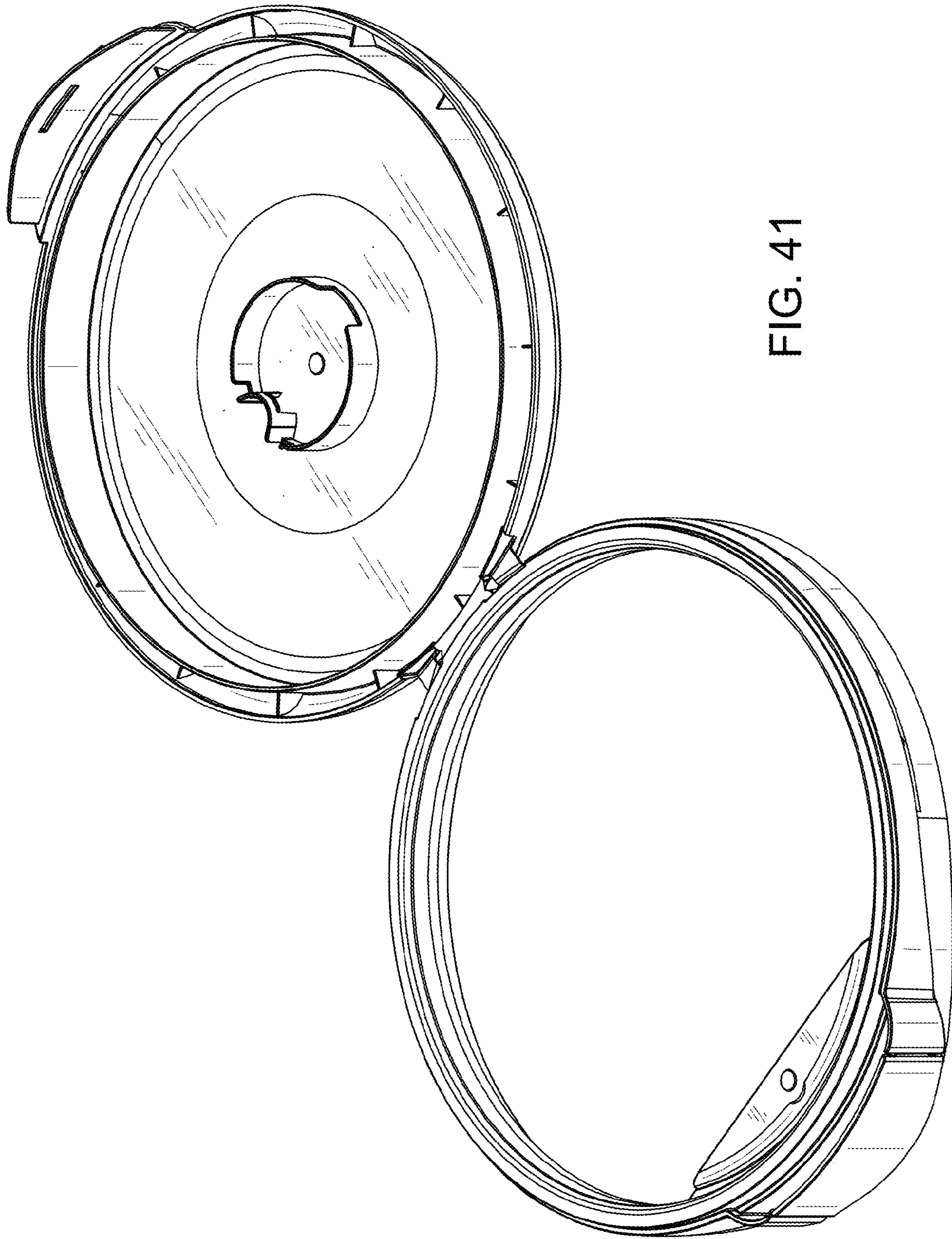


FIG. 41

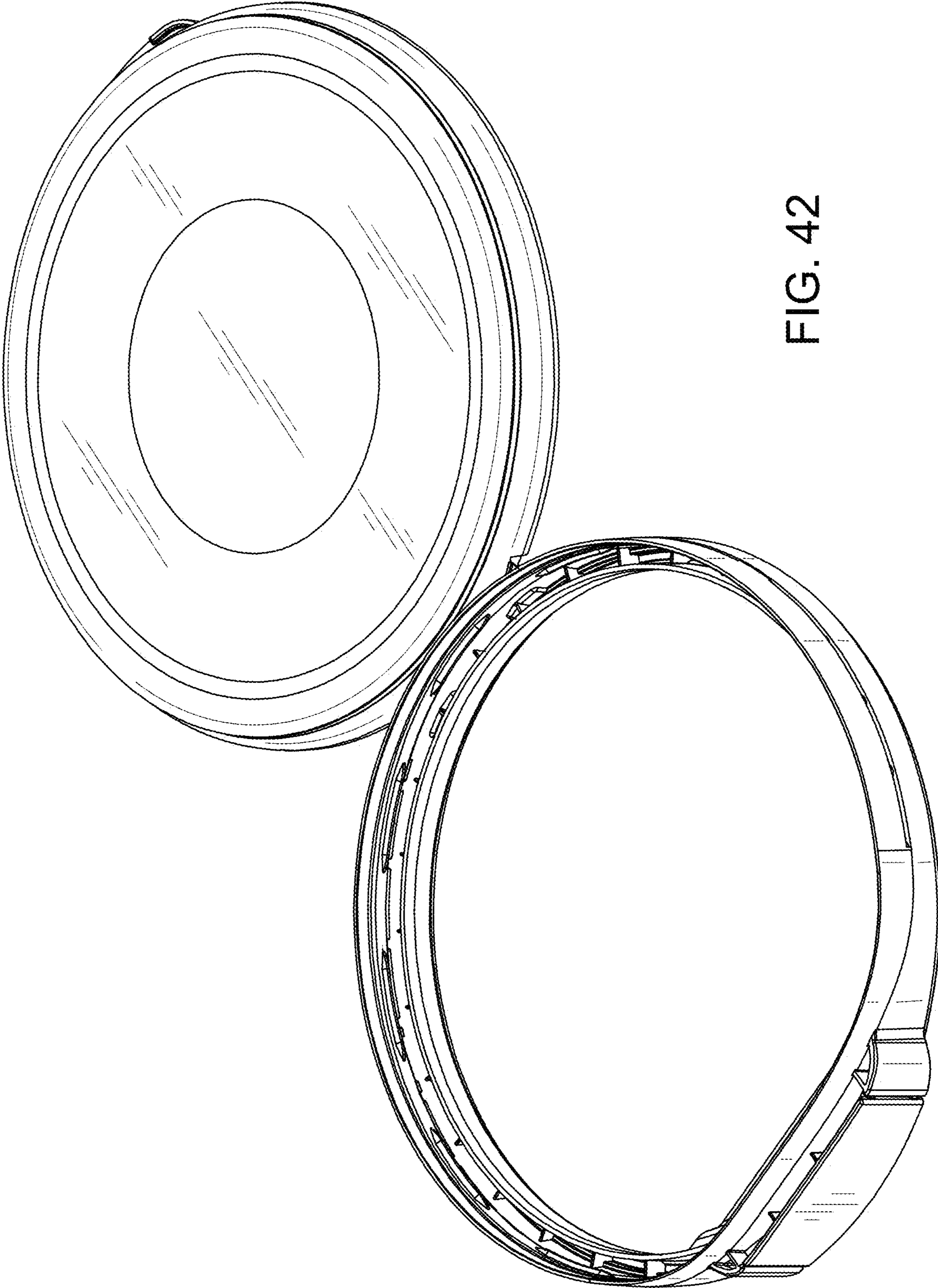


FIG. 42

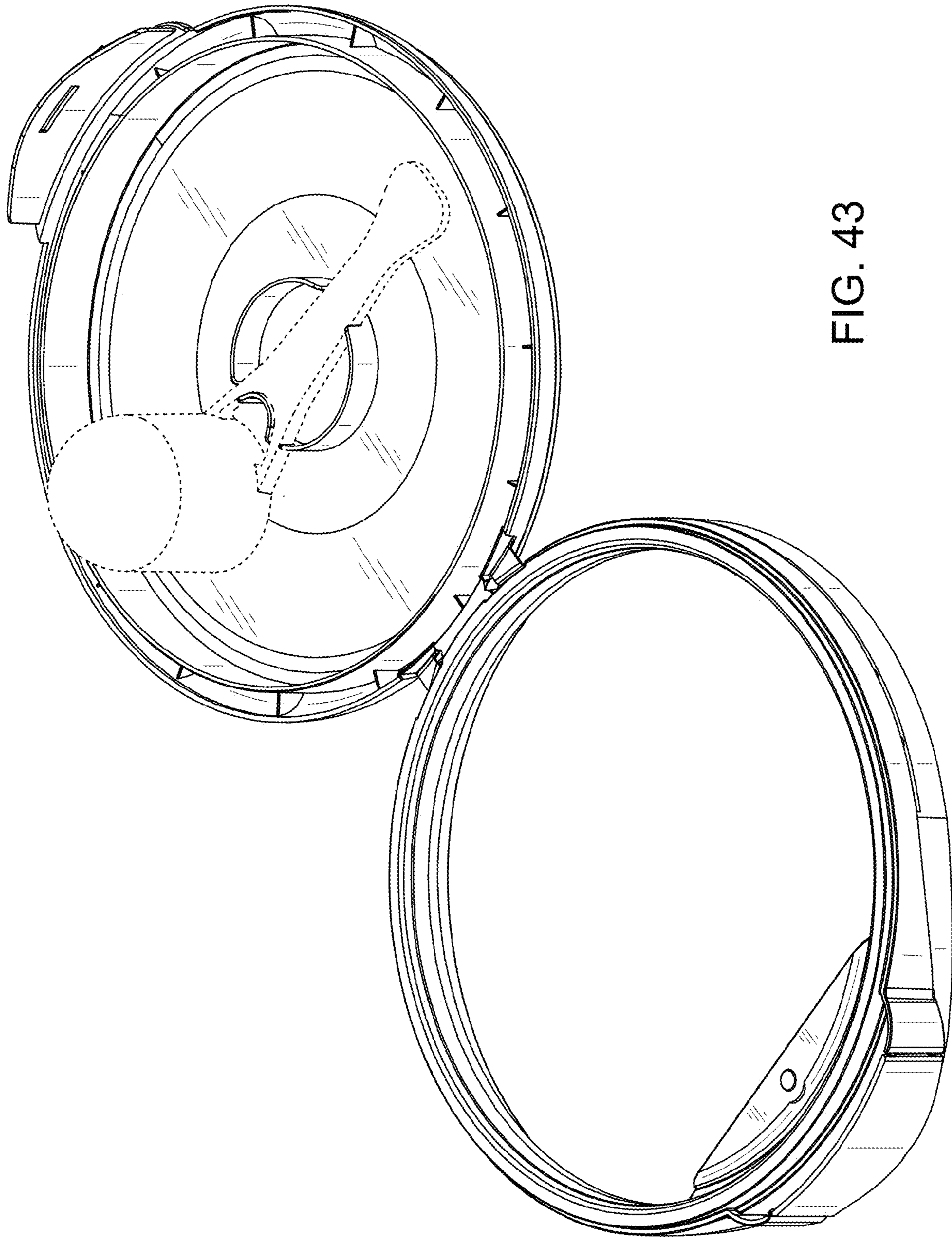


FIG. 43

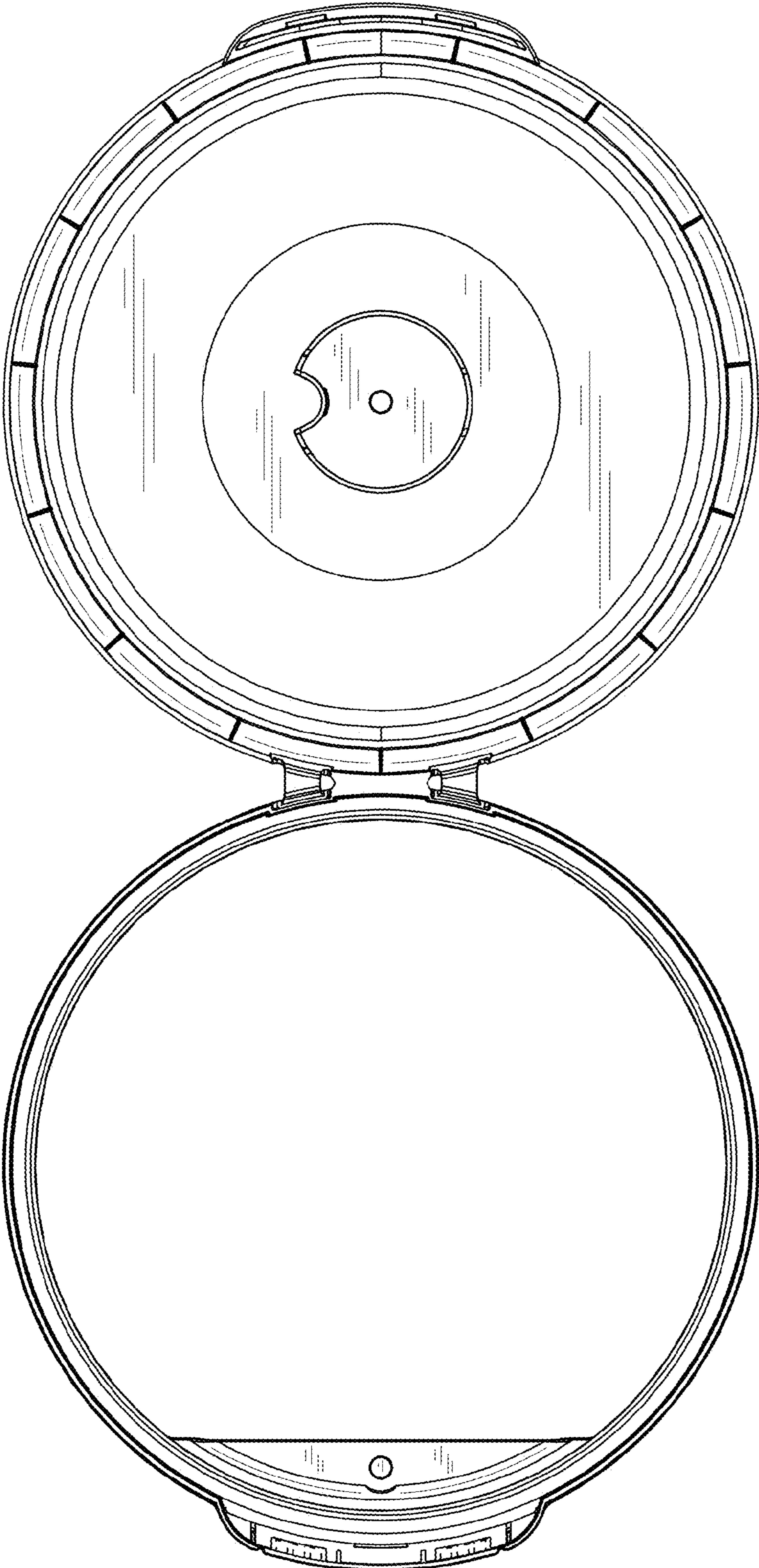


FIG. 44

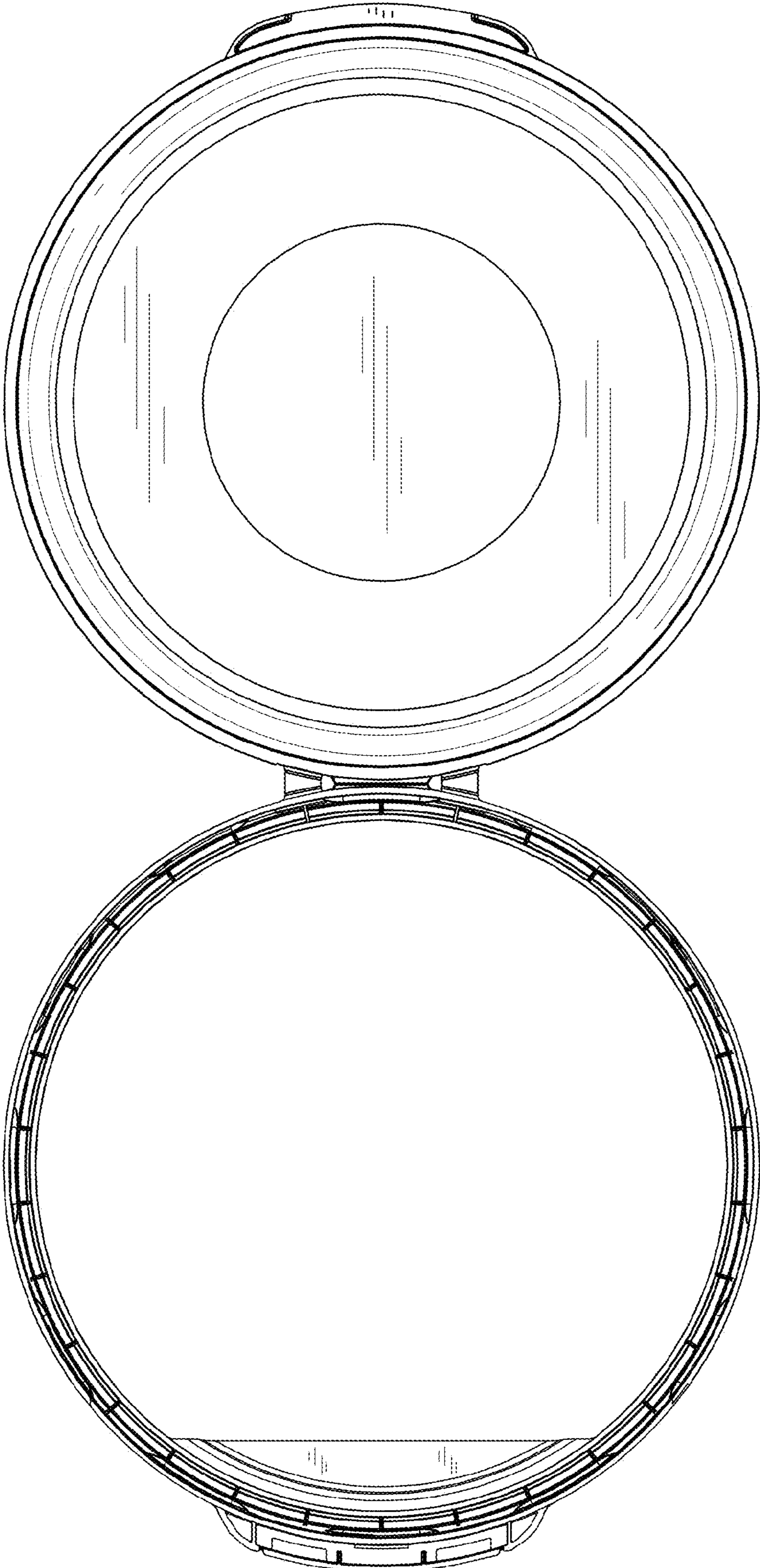


FIG. 45

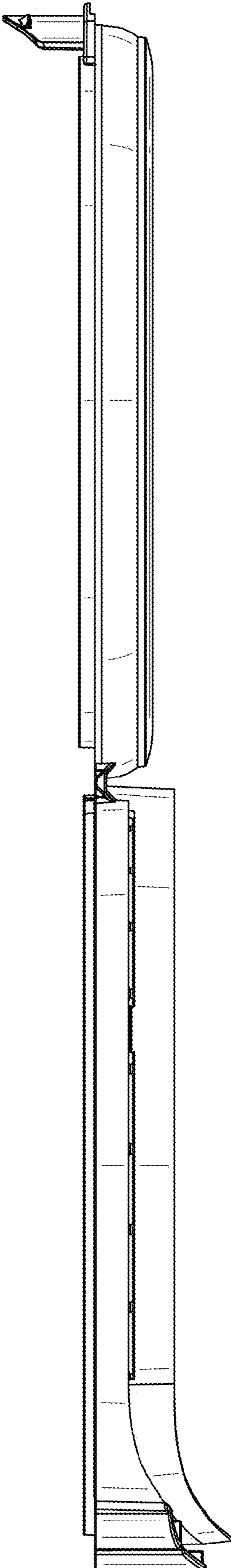


FIG. 46

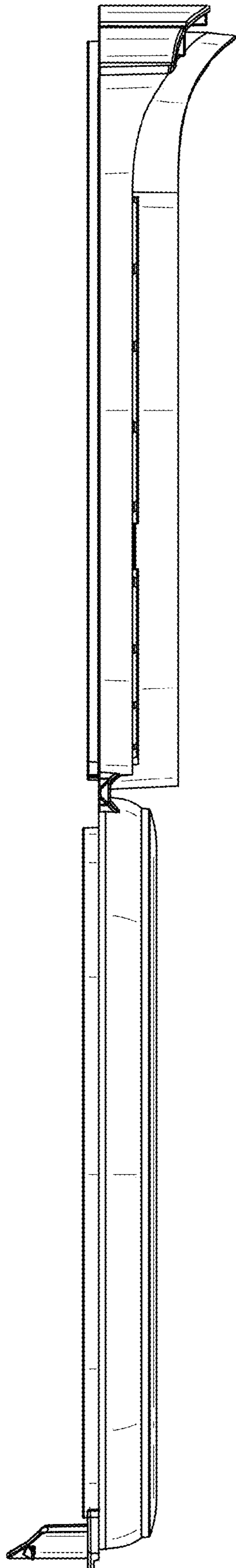


FIG. 47

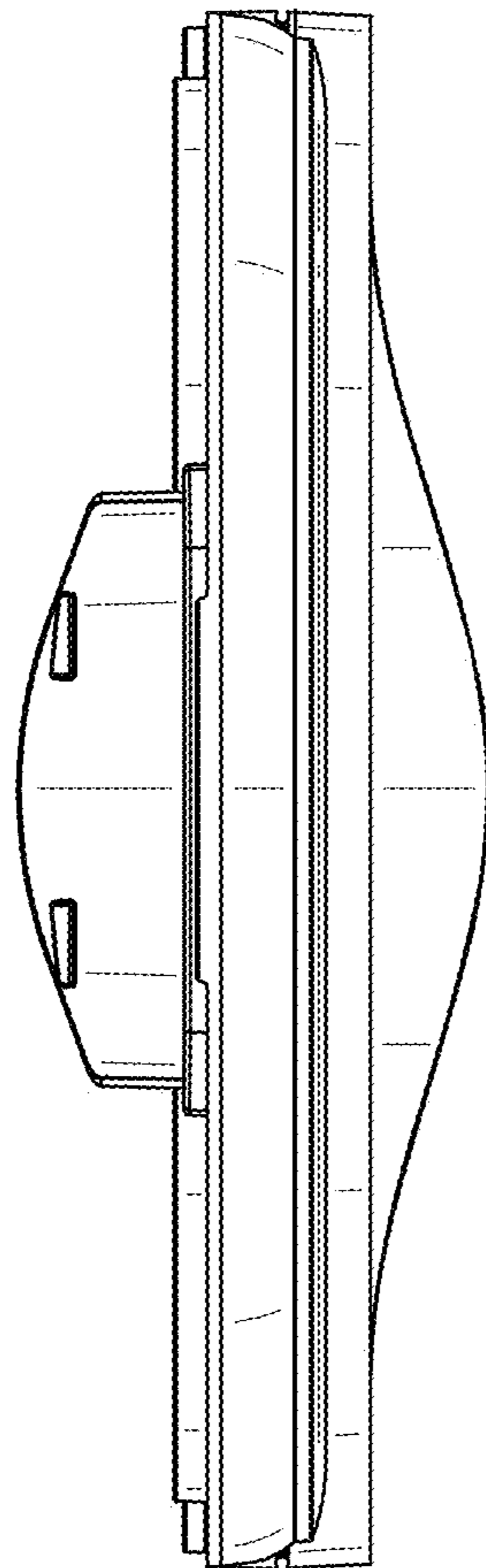


FIG. 48

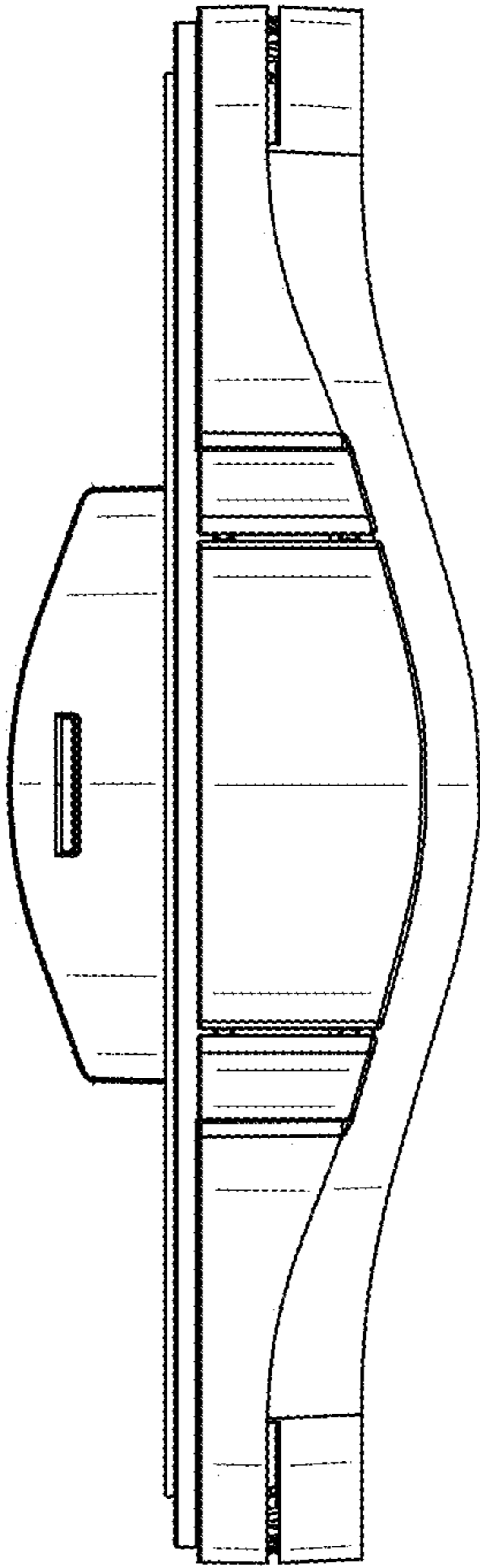


FIG. 49