

US00D949688S

(12) **United States Design Patent**  
**Sanborn**

(10) **Patent No.:** **US D949,688 S**

(45) **Date of Patent:** **\*\* Apr. 26, 2022**

- (54) **CONTAINER CAP**
- (71) Applicant: **Christopher Sanborn**, Kilauea, HI (US)
- (72) Inventor: **Christopher Sanborn**, Kilauea, HI (US)
- (\*\*) Term: **15 Years**
- (21) Appl. No.: **29/759,702**
- (22) Filed: **Nov. 24, 2020**
- (51) **LOC (13) Cl.** ..... **09-01**
- (52) **U.S. Cl.**  
USPC ..... **D9/445; D9/438**
- (58) **Field of Classification Search**  
USPC ..... D9/435, 439, 440, 442–449, 450, 454, D9/531, 682–694, 723, 575, 438; D7/321, 391, 392, 392.1, 396.2, 507, D7/509–511, 523, 608, 900; D6/515; D10/46.2  
CPC .... B65D 83/205; B65D 83/206; B65D 83/40; B65D 2543/00046; A47G 19/2272  
See application file for complete search history.

- 4,884,707 A 12/1989 Crisci
- D359,685 S \* 6/1995 Luch ..... D9/438
- D437,556 S \* 2/2001 Holliday ..... D9/454
- D447,056 S \* 8/2001 Caserta ..... D9/438
- D468,002 S \* 12/2002 Steffan ..... D9/438
- D517,408 S \* 3/2006 Gonzalez ..... B65D 1/165  
D9/438
- D545,677 S \* 7/2007 Mavin ..... D9/454
- D611,814 S \* 3/2010 Marotti ..... D9/454
- D613,160 S \* 4/2010 Ablo ..... D9/443
- D675,922 S \* 2/2013 MacNeill ..... D9/443
- D736,080 S \* 8/2015 Lavender ..... D9/434
- D750,963 S \* 3/2016 Sankot ..... D9/438

(Continued)

**OTHER PUBLICATIONS**

Michael Sheffield, Aug. 4, 2020, Amazon.com Product Review Post—JVIGUE Non Spill Cap Anti Splash Bottle Caps Reusable for 55mm 3, URL: <https://www.amazon.com/Splash-Bottle-Reusable-Gallon-Handle/dp/B074MYNJ2K#customerReviews> (Year: 2020).\*

(Continued)

*Primary Examiner* — Brett Miller  
*Assistant Examiner* — Rani J Abdallah

(57) **CLAIM**

The ornamental design for a container cap, as shown and described.

**DESCRIPTION**

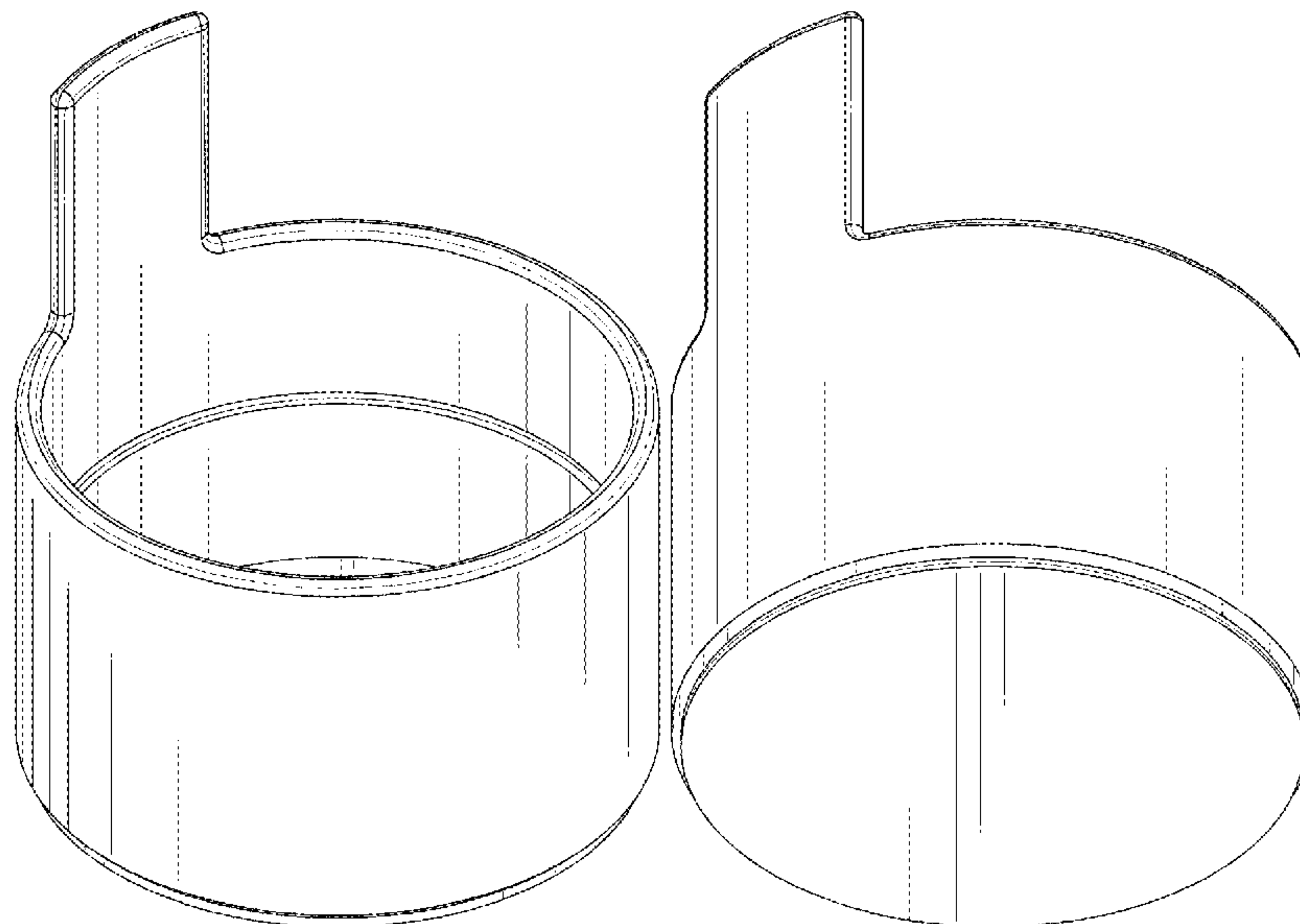
FIG. 1 is a top perspective view of a container cap showing my new design;  
FIG. 2 is a bottom perspective view thereof;  
FIG. 3 is a front elevational view thereof, the rear elevational view being a mirror image thereof;  
FIG. 4 is a top plan view thereof;  
FIG. 5 is a bottom view thereof;  
FIG. 6 is a right-side elevational view thereof; and,  
FIG. 7 is a left-side elevational view thereof.

**1 Claim, 7 Drawing Sheets**

(56) **References Cited**

**U.S. PATENT DOCUMENTS**

- D192,539 S \* 4/1962 Terwilliger ..... B65D 53/02  
D9/438
- D200,884 S \* 4/1965 Arthur ..... B65D 51/1644  
D9/438
- 3,283,935 A \* 11/1966 Samuels ..... B65D 41/42  
215/256
- 3,405,830 A \* 10/1968 Hayashida ..... B65D 39/04  
215/256
- 4,066,180 A 1/1978 Sanchez
- 4,322,010 A 3/1982 Curry
- D270,140 S \* 8/1983 Berglund ..... D9/438
- D271,049 S \* 10/1983 Du Cret ..... D9/542
- D273,845 S \* 5/1984 Dobias ..... D9/438



(56)

**References Cited**

U.S. PATENT DOCUMENTS

9,321,561 B2 4/2016 Graux et al.  
D836,389 S \* 12/2018 Abante ..... D7/392.1  
D871,133 S \* 12/2019 Bullock ..... D7/392.1  
10,526,115 B1 \* 1/2020 Hawry ..... B65D 1/165  
D893,246 S \* 8/2020 Monaghan ..... D7/396.2  
D897,849 S \* 10/2020 Hawry ..... D9/454  
D911,840 S \* 3/2021 Berthe ..... D9/454  
D913,738 S \* 3/2021 Jewett ..... D7/354  
D927,304 S \* 8/2021 Lingle ..... D9/454  
D935,830 S \* 11/2021 Jewett ..... B65D 39/04  
D7/354  
D936,432 S \* 11/2021 Bamonte ..... D7/629  
D941,145 S \* 1/2022 Wang ..... B65D 41/42  
D9/454  
2015/0231673 A1 \* 8/2015 Dallas ..... B65D 51/1644  
206/223  
2016/0023812 A1 \* 1/2016 Kikel ..... B65D 53/02  
235/492

OTHER PUBLICATIONS

Water Jug Cap Replacement, [https://www.amazon.com/Gallon-  
Replacement-Bottle-Cap-Opener-Splash/dp/B0769DSX84](https://www.amazon.com/Gallon-Replacement-Bottle-Cap-Opener-Splash/dp/B0769DSX84).

\* cited by examiner

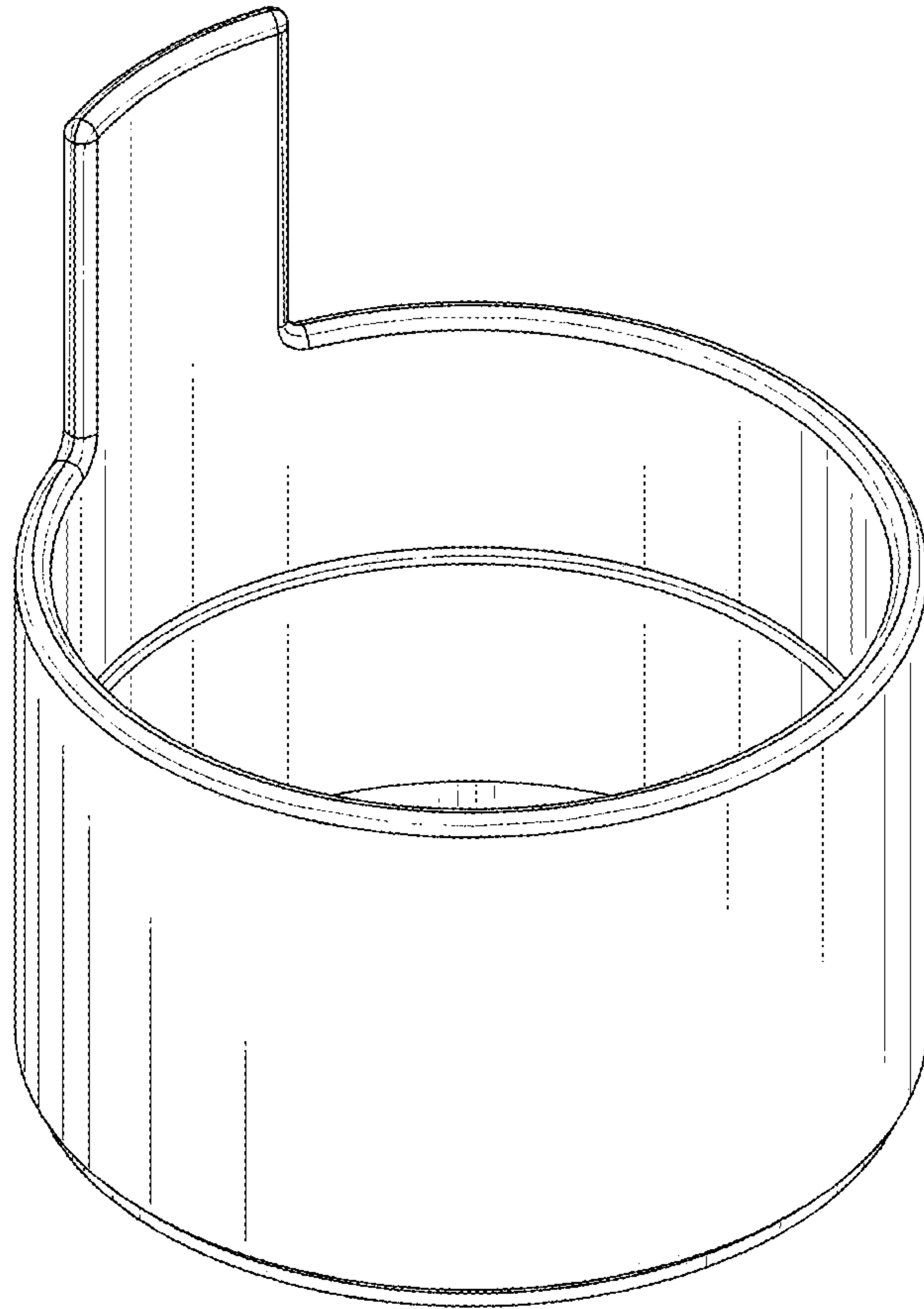


FIG. 1

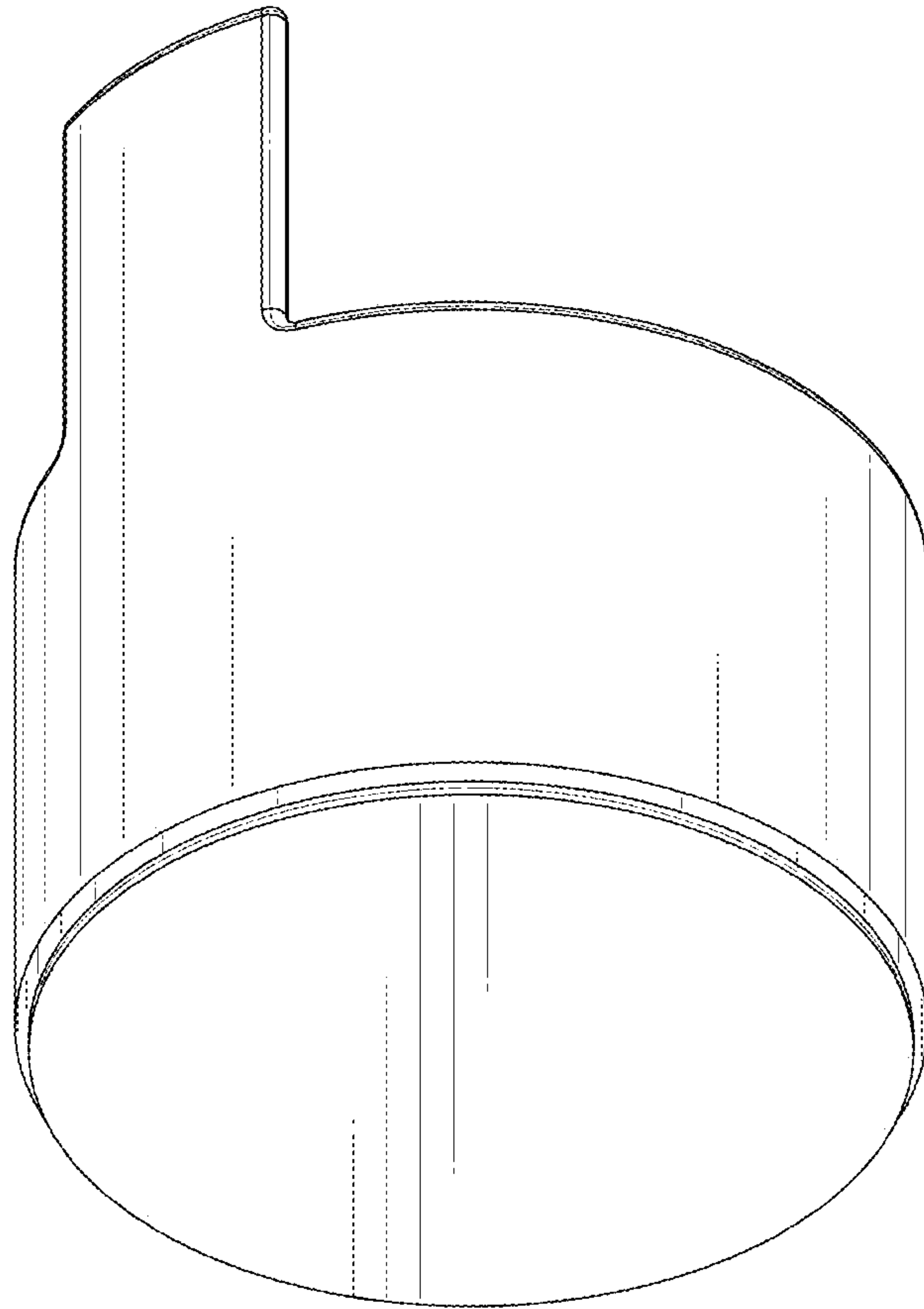


FIG. 2

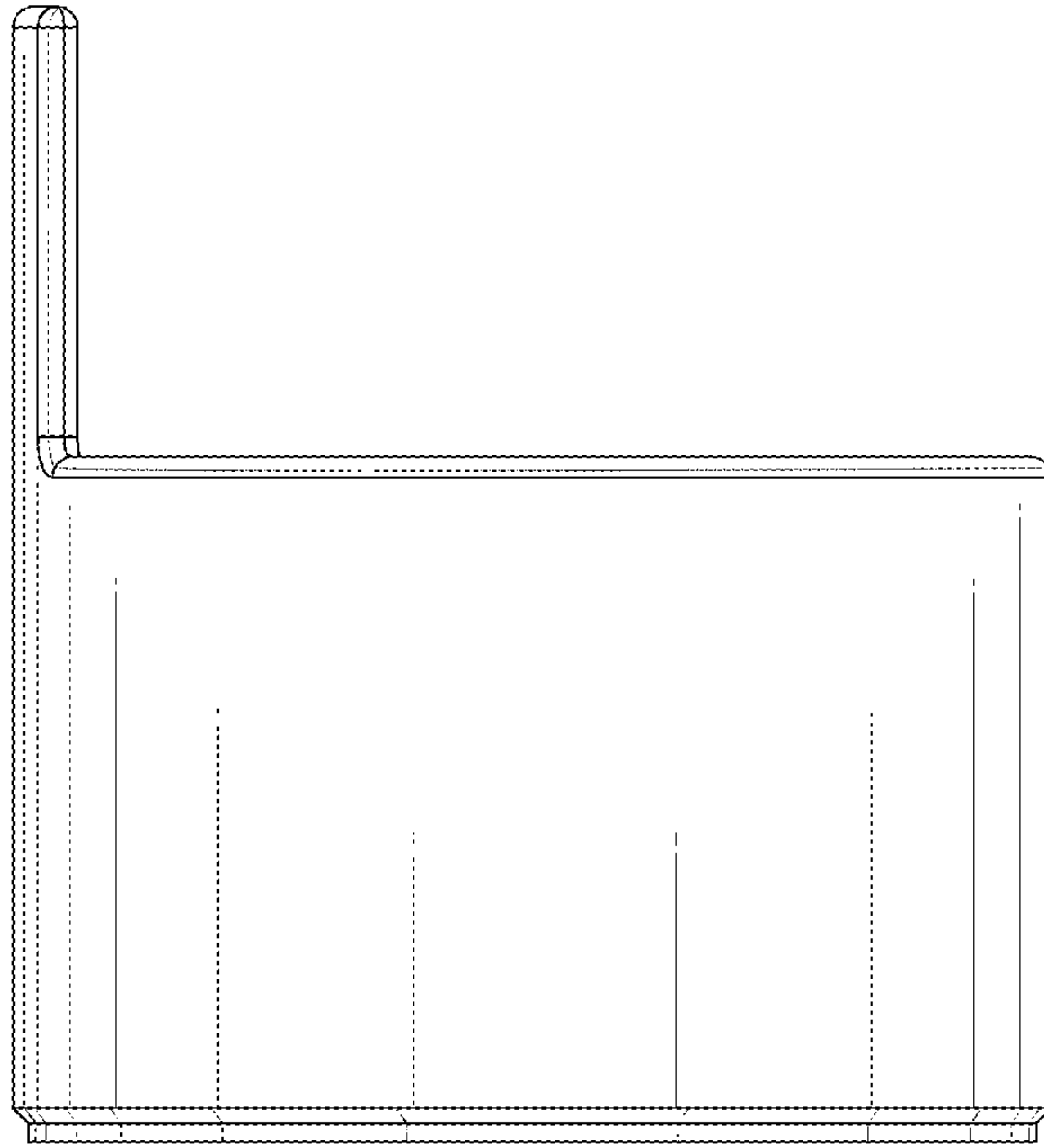


FIG. 3

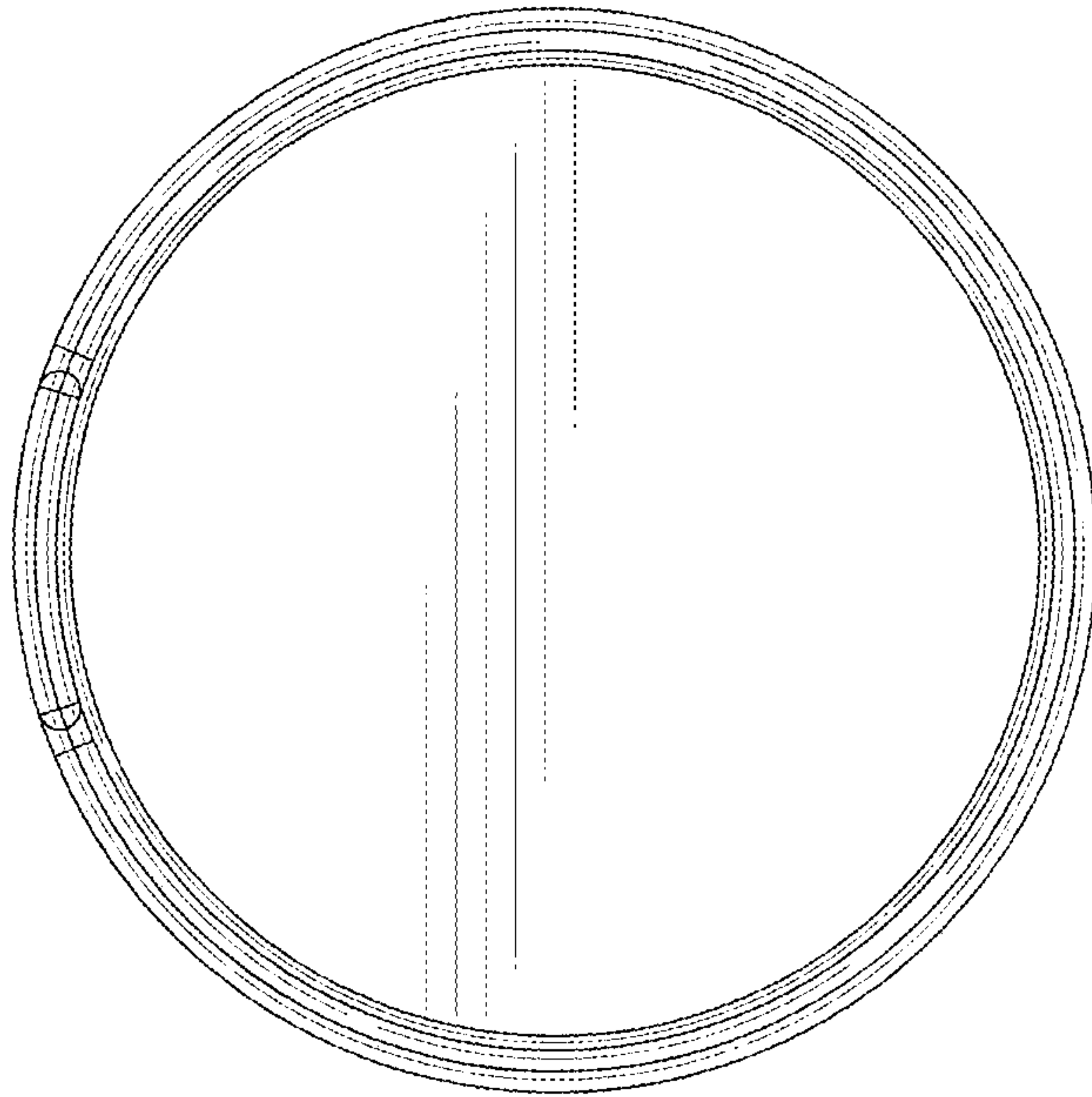


FIG. 4

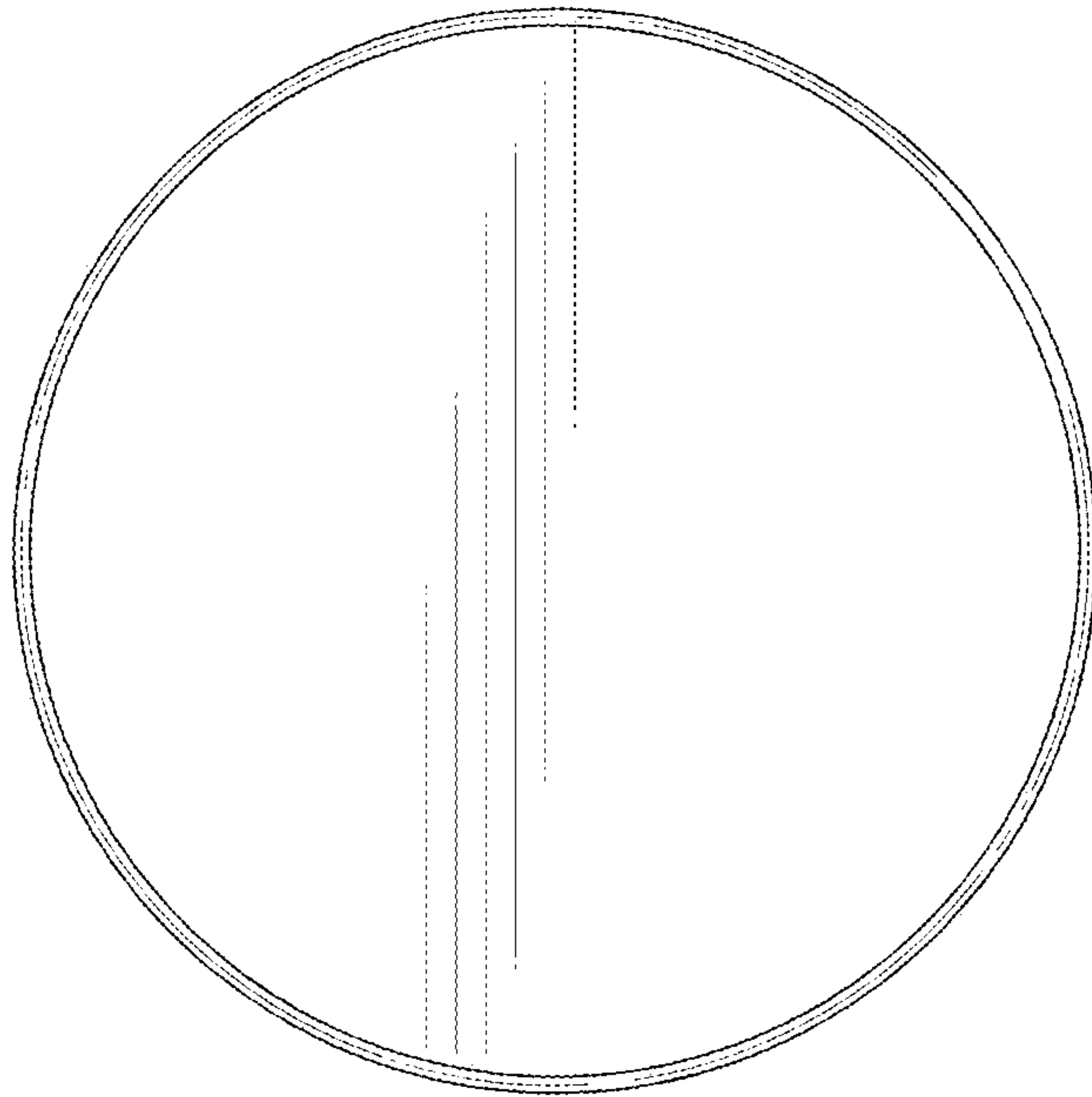


FIG. 5

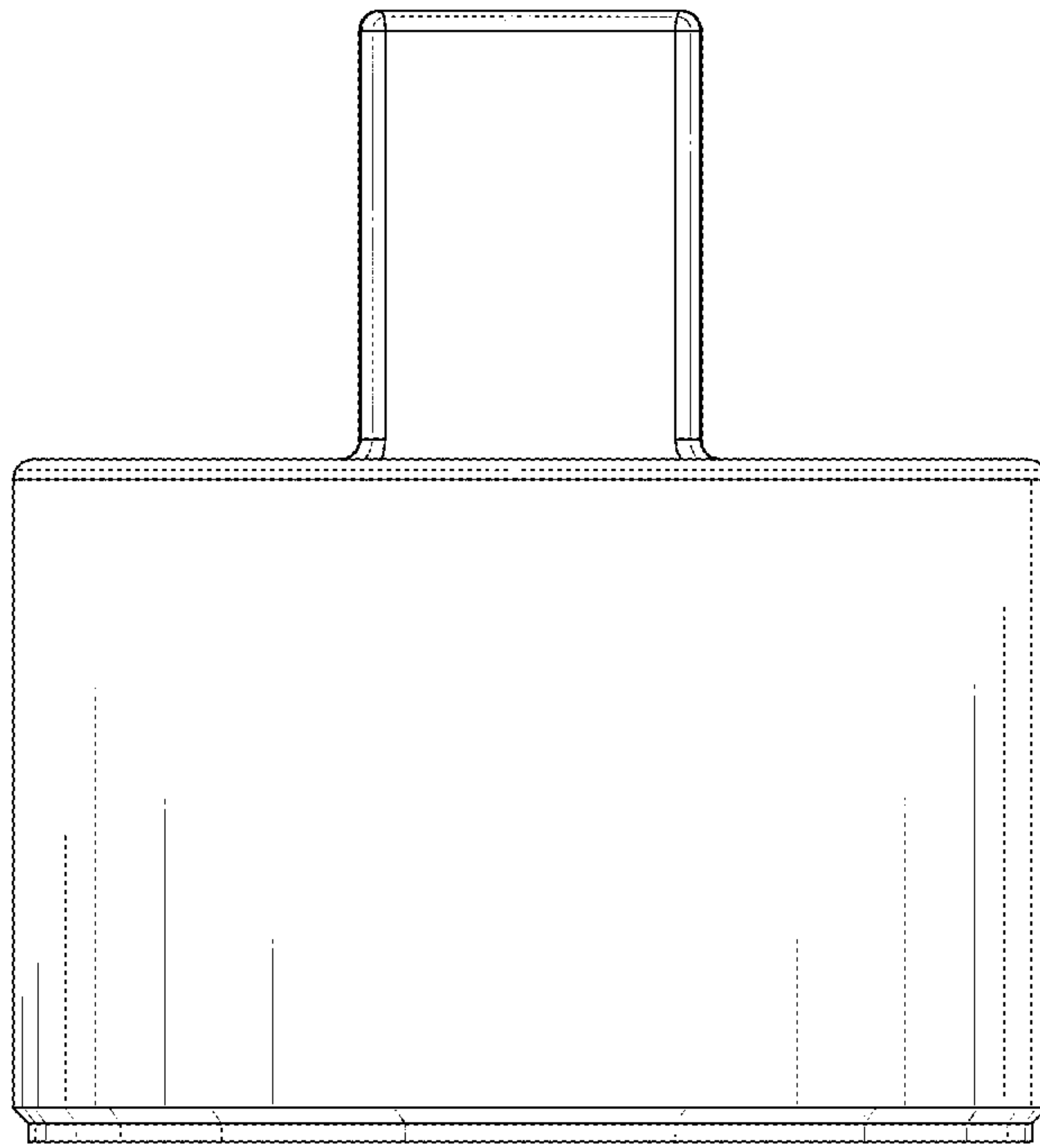


FIG. 6



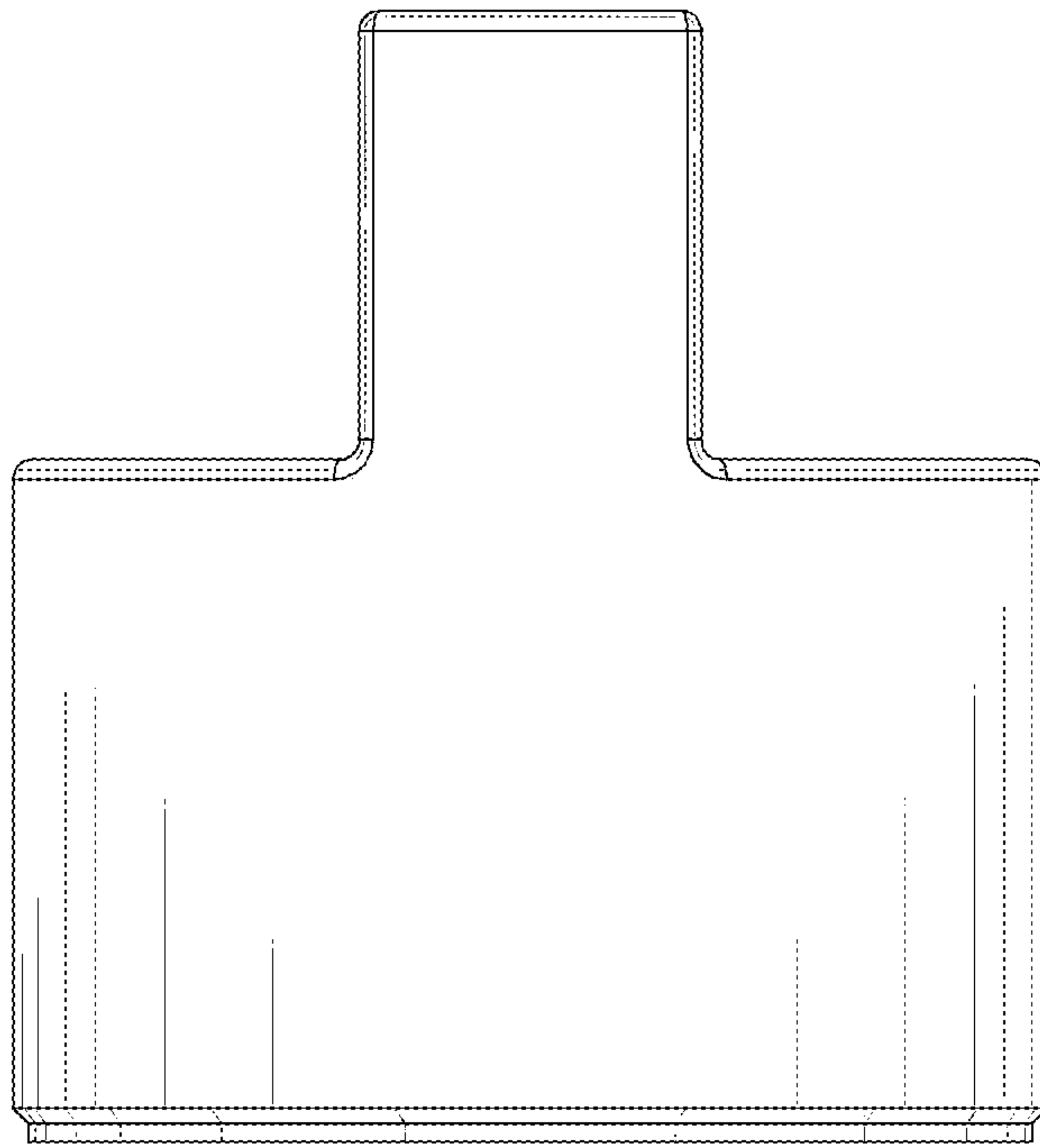


FIG. 7