

US00D949680S

(12) **United States Design Patent** (10) **Patent No.:** **US D949,680 S**
Partsch, IV (45) **Date of Patent:** **** Apr. 26, 2022**

(54) **PROTECTIVE DEVICE FOR AN EDGE OF A GLASS OBJECT**

(71) Applicant: **George J. Partsch, IV**, Norco, CA (US)

(72) Inventor: **George J. Partsch, IV**, Norco, CA (US)

(**) Term: **15 Years**

(21) Appl. No.: **29/690,030**

(22) Filed: **May 3, 2019**

(51) **LOC (13) Cl.** **08-09**

(52) **U.S. Cl.**
USPC **D8/403**

(58) **Field of Classification Search**
USPC D8/400-404, 499, 300, 315-316, 319, D8/320; D25/35, 39, 40, 42, 43, 44, 58, D25/60, 61, 119-129, 132, 48.2; D21/678, 679, 701, 808, 803; D12/190, D12/195
CPC E04B 1/66; E04B 1/64; E04B 1/68; E04B 1/70; E04B 1/702; E04B 1/705; B05C 21/005; B05D 1/32
See application file for complete search history.

(56) **References Cited**

U.S. PATENT DOCUMENTS

3,575,463	A *	4/1971	Kolevas	B60J 10/70 296/93
4,959,927	A *	10/1990	Atkinson	E06B 7/18 49/475.1
6,345,420	B1 *	2/2002	Nabeshima	F16B 5/0642 24/297
6,453,841	B1 *	9/2002	Shearer	B63B 17/02 114/361
10,717,105	B1 *	7/2020	Barraco	B05B 12/20

(Continued)

OTHER PUBLICATIONS

Trim-Lok Rubber Edge Trim, Date Visited: Apr. 22, 2021, Amazon.com, Date Available: Sep. 14, 2014, <https://www.amazon.com/Trim-Lok-Rubber-Edge-Trim-Push/dp/B00NL48ZC2> (Year: 2014).*

(Continued)

Primary Examiner — Susan Bennett Hattan

Assistant Examiner — Elizabeth S Ko

(74) *Attorney, Agent, or Firm* — WPAT Law, P.C.; Anthony King

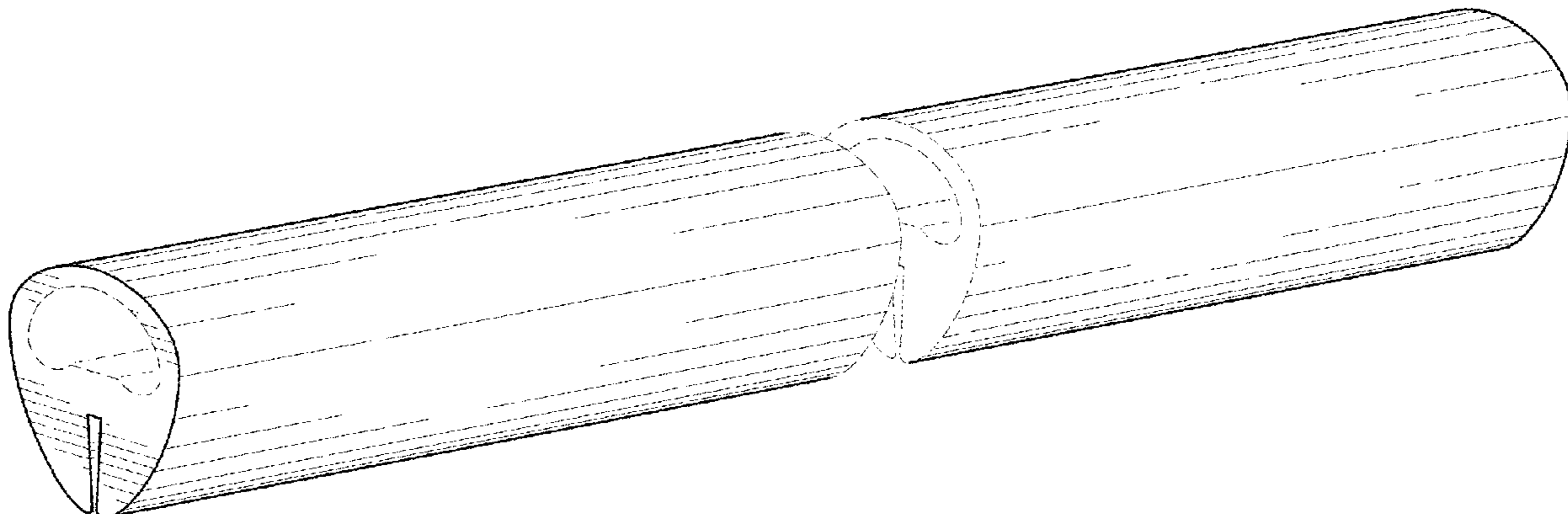
(57) **CLAIM**

The ornamental design for a protective device for an edge of a glass object, as shown and described.

DESCRIPTION

FIG. 1 is a perspective view of a protective device for an edge of a glass object;
FIG. 2 is a left side view of the protective device for an edge of a glass object of FIG. 1; the right side being a mirror image thereof;
FIG. 3 is a top view of the protective device for an edge of a glass object of FIG. 1;
FIG. 4 is a bottom view of the protective device for an edge of a glass object of FIG. 1;
FIG. 5 is a front view of the protective device for an edge of a glass object of FIG. 1;
FIG. 6 is a back view of the protective device for an edge of a glass object of FIG. 1; and,
FIG. 7 is a bottom side perspective view of the protective device for an edge of a glass object of FIG. 1.
The claimed design is shown with a symbolic break in its length. The appearance of any portion of the protective device for an edge of a glass object between the broken lines forms no part of the claim. The broken lines in the drawings depict the bounds of the claimed design and form no part of the claimed design.

1 Claim, 3 Drawing Sheets



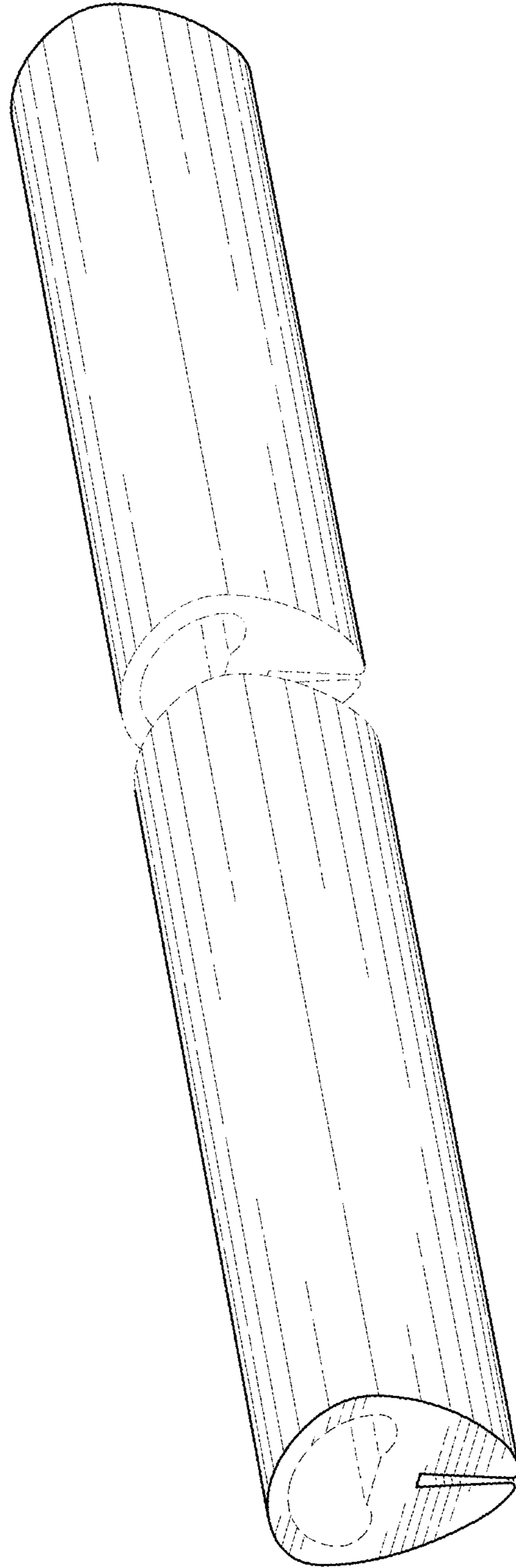


FIG. 1

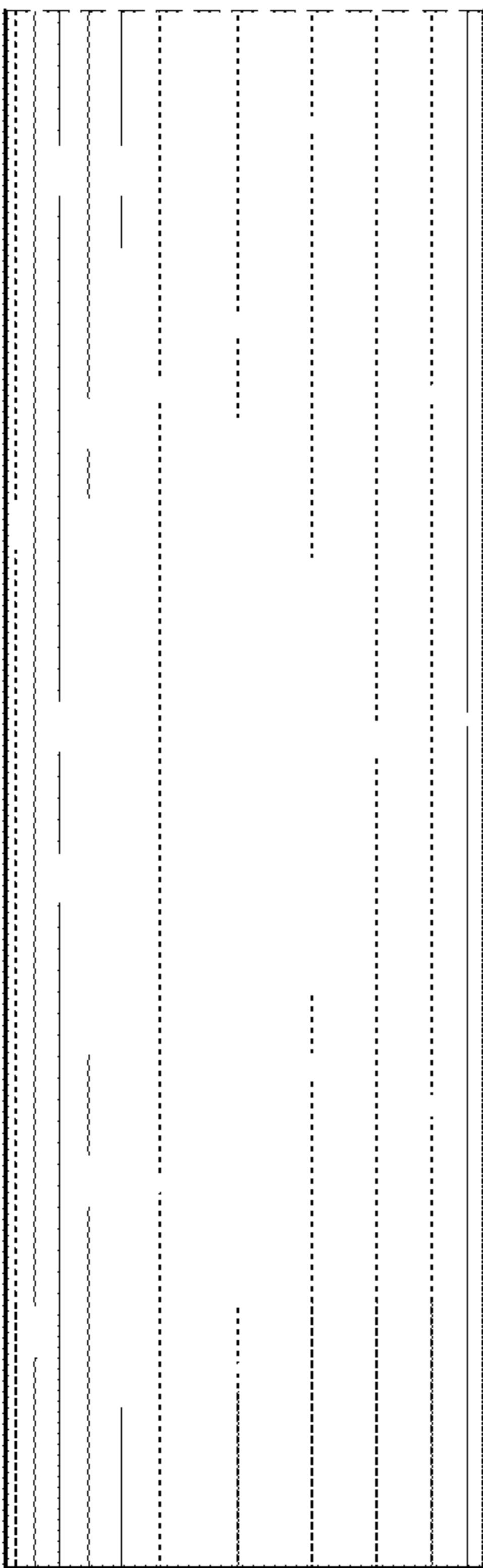
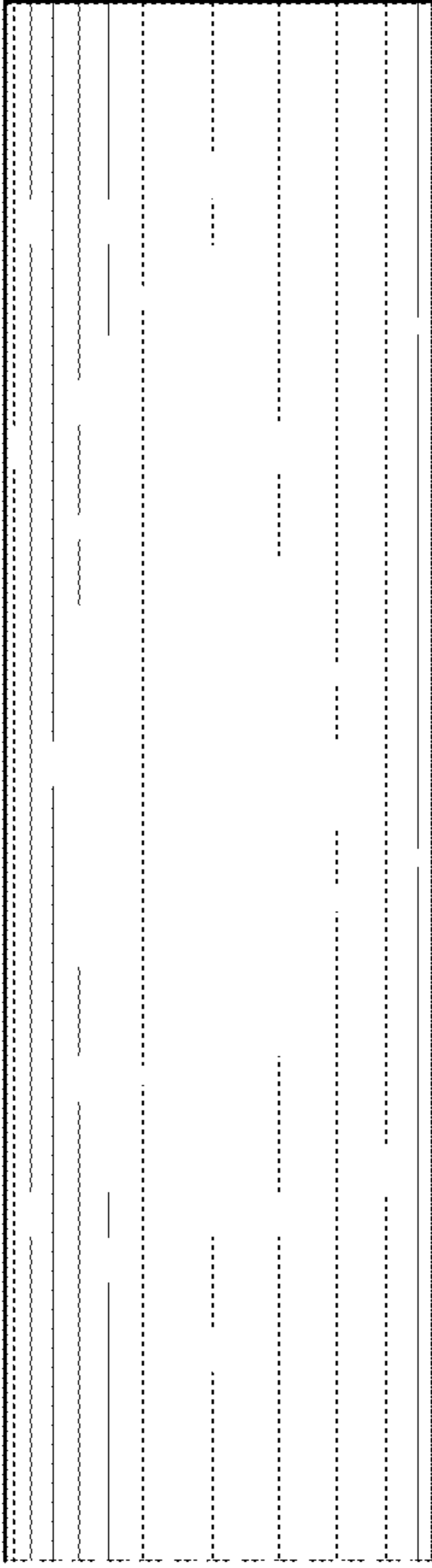


FIG. 2

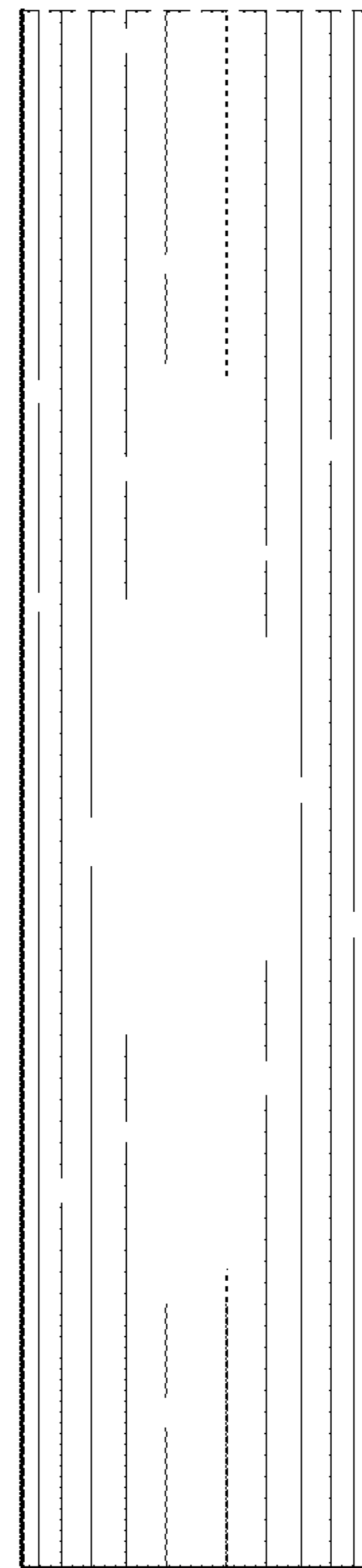
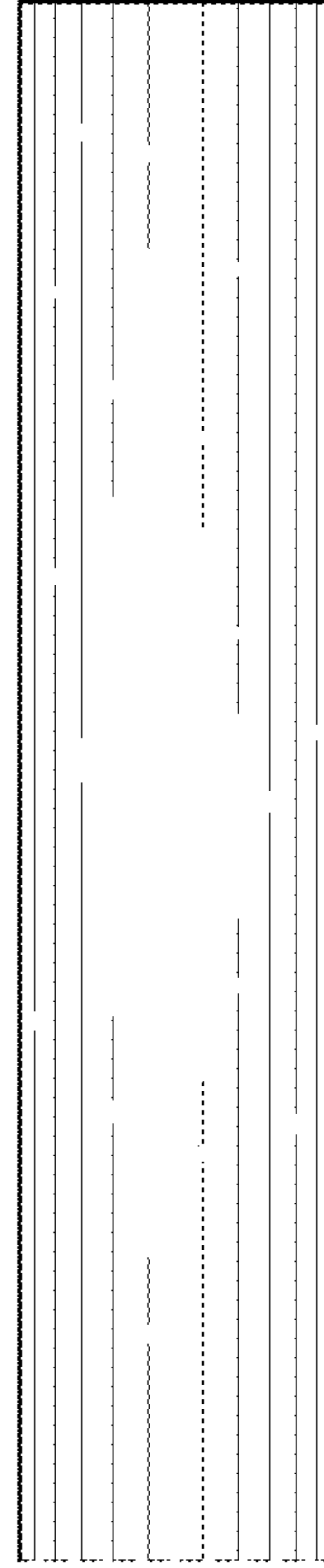


FIG. 3

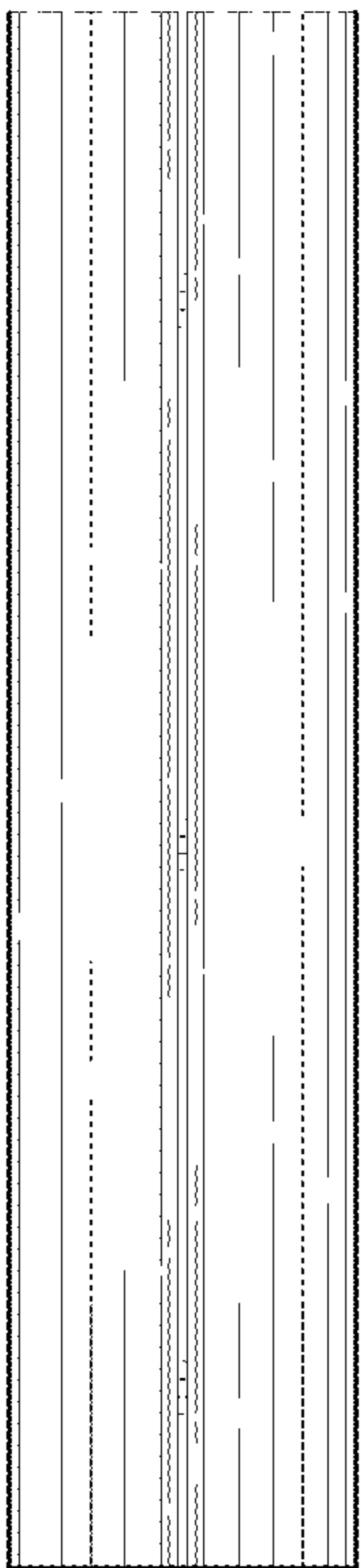
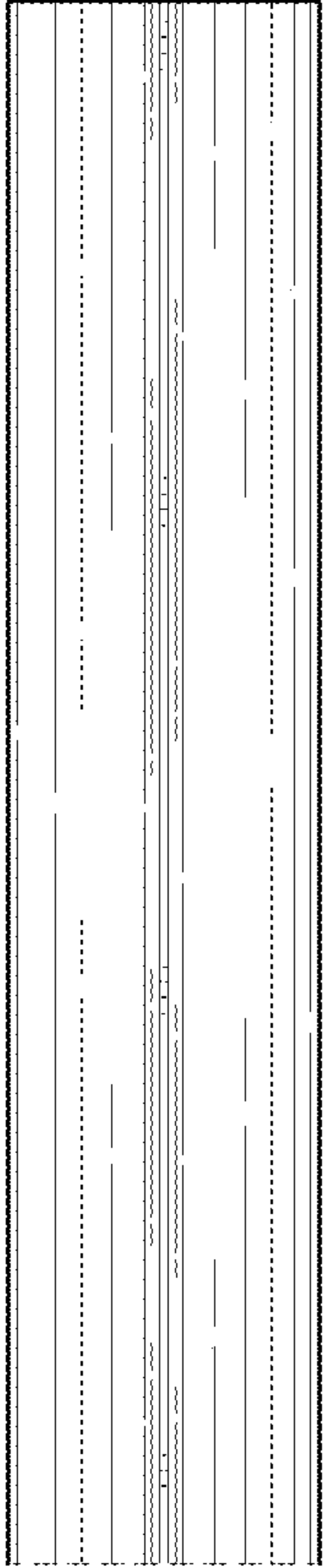


FIG. 4

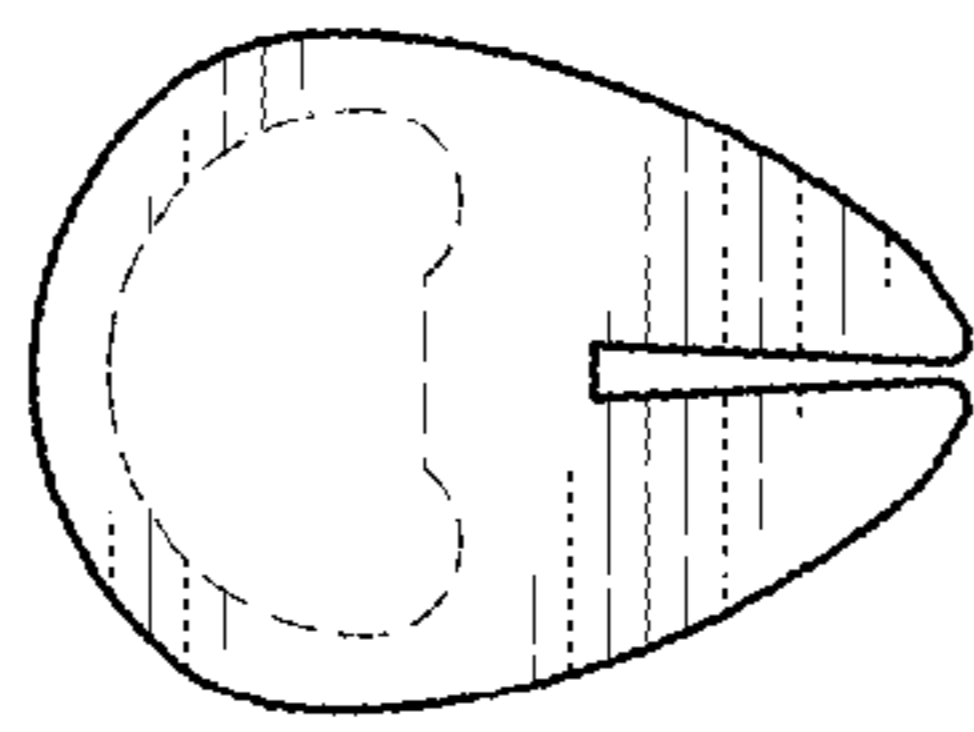
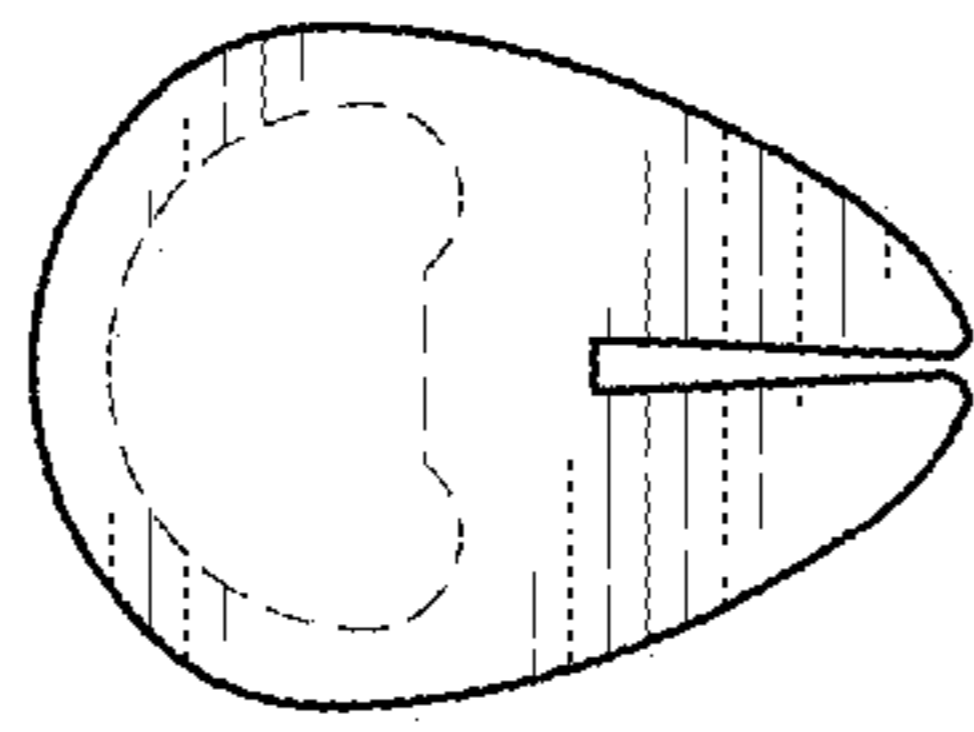


FIG. 5

FIG. 6

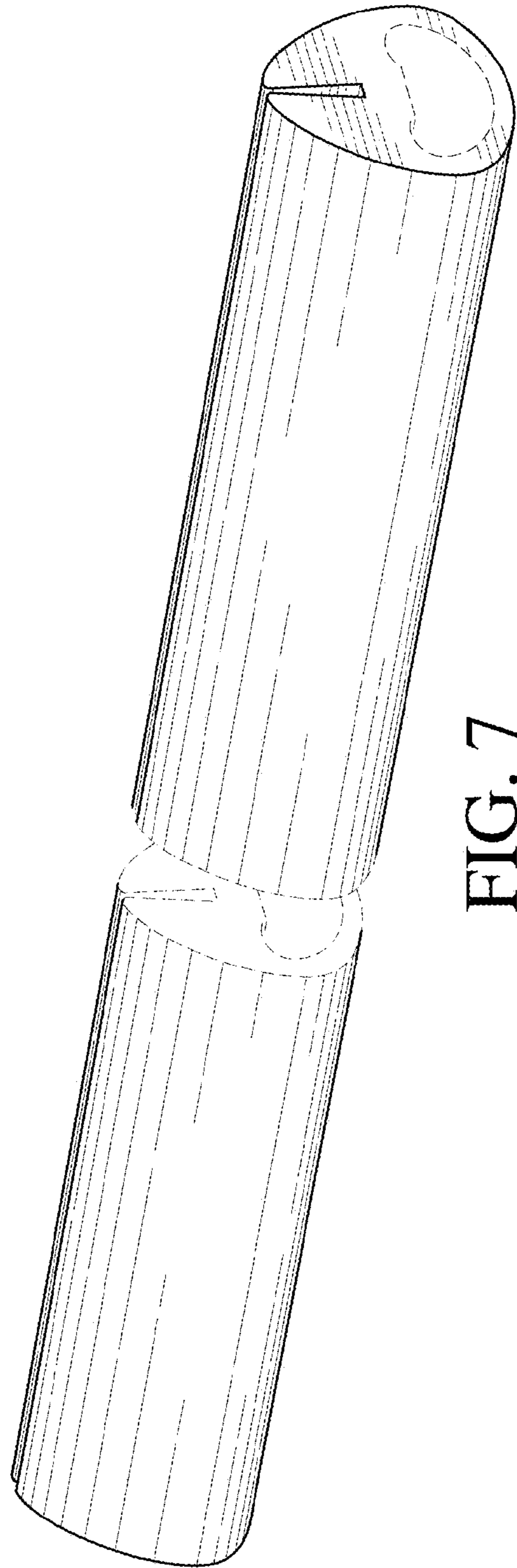


FIG. 7