



US00D949679S

(12) **United States Design Patent**
Bamford

(10) **Patent No.:** **US D949,679 S**

(45) **Date of Patent:** **** Apr. 26, 2022**

- (54) **NUT**
- (71) Applicant: **Automatic Coating Limited**, Toronto (CA)
- (72) Inventor: **Brad Bamford**, Scarborough (CA)
- (73) Assignee: **Automatic Coating Limited**, Toronto (CA)
- (**) Term: **15 Years**
- (21) Appl. No.: **29/745,547**
- (22) Filed: **Aug. 6, 2020**
- (51) **LOC (13) Cl.** **08-08**
- (52) **U.S. Cl.**
USPC **D8/397**
- (58) **Field of Classification Search**
USPC D8/397, 394, 382, 349, 399; 411/427, 411/374, 366.1
CPC A61B 17/0401; E04D 13/1476; E04G 25/065; F16B 41/002; F16B 23/0061; F16B 37/14; F16B 35/00
See application file for complete search history.

- 5,380,070 A * 1/1995 FitzGerald B60B 7/00 301/108.4
- D379,428 S * 5/1997 Fling D8/399
- D398,837 S * 9/1998 Spence D8/397
- 5,857,818 A * 1/1999 Bias, Sr. F16B 37/14 411/431
- D412,557 S * 8/1999 Palestrant D23/214
- D420,897 S * 2/2000 Fuller D8/397
- 6,053,681 A * 4/2000 Mattershead F16B 37/14 411/14
- D484,785 S * 1/2004 Plumer D8/397
- D510,259 S * 10/2005 Yoshimoto D8/397
- D566,028 S * 4/2008 Wright D12/207
- 7,392,674 B1 * 7/2008 Grote F16B 37/14 411/910
- D577,795 S * 9/2008 Smith D23/262
- D606,853 S * 12/2009 Shapiro D8/397
- D623,049 S * 9/2010 Zeyfang D8/397
- 8,366,367 B2 * 2/2013 Matlock F16B 37/14 411/429
- D713,705 S * 9/2014 Mina D8/68
- D748,972 S * 2/2016 Primeau D8/397
- D761,630 S * 7/2016 Li D8/29

(Continued)

Primary Examiner — Cynthia R Underwood
(74) *Attorney, Agent, or Firm* — Blake, Cassels & Graydon LLP; John R. S. Orange; Laurie Wright

(57) **CLAIM**

The ornamental design for a nut, substantially as shown and described.

DESCRIPTION

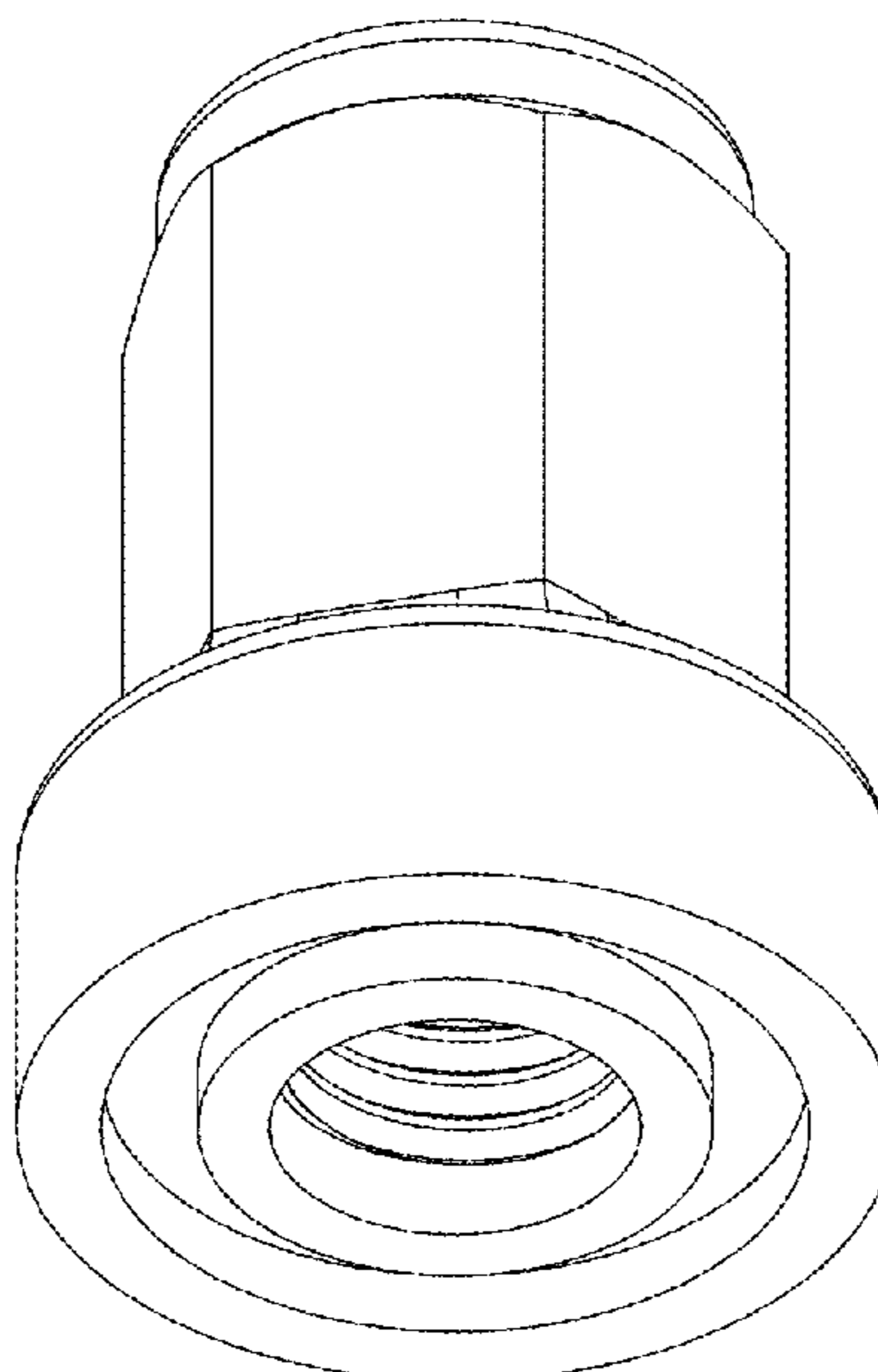
FIG. 1 is a top view of the nut;
FIG. 2 is a side view of the nut of FIG. 1, the opposite side view being identical;
FIG. 3 is a front view of the nut of FIG. 1, the rear view being identical;
FIG. 4 is a bottom perspective view of the nut of FIG. 1; and,
FIG. 5 is a bottom view of the nut of FIG. 1.

1 Claim, 3 Drawing Sheets

(56) **References Cited**

U.S. PATENT DOCUMENTS

- 1,162,467 A * 11/1915 Fitz Gibbon et al. .. F16B 37/14 24/694
- D233,652 S * 11/1974 Wing D8/397
- D254,232 S * 2/1980 Ono D8/397
- 4,659,273 A * 4/1987 Dudley F16B 41/005 411/373
- D298,737 S * 11/1988 Wallace D8/387
- 4,890,967 A * 1/1990 Rosenbaum F16B 37/14 411/377
- D311,131 S * 10/1990 Saito D8/397
- 5,048,898 A * 9/1991 Russell B60B 7/00 301/37.375



(56)

References Cited

U.S. PATENT DOCUMENTS

D795,398 S * 8/2017 Decaria D23/260
D805,882 S * 12/2017 Berry D8/382
D818,812 S * 5/2018 Schrawder D8/397
2006/0171794 A1 * 8/2006 Ordonio, Jr. F16B 37/14
411/369
2014/0060260 A1 * 3/2014 Kluhsman, Jr. B25B 13/065
81/121.1

* cited by examiner

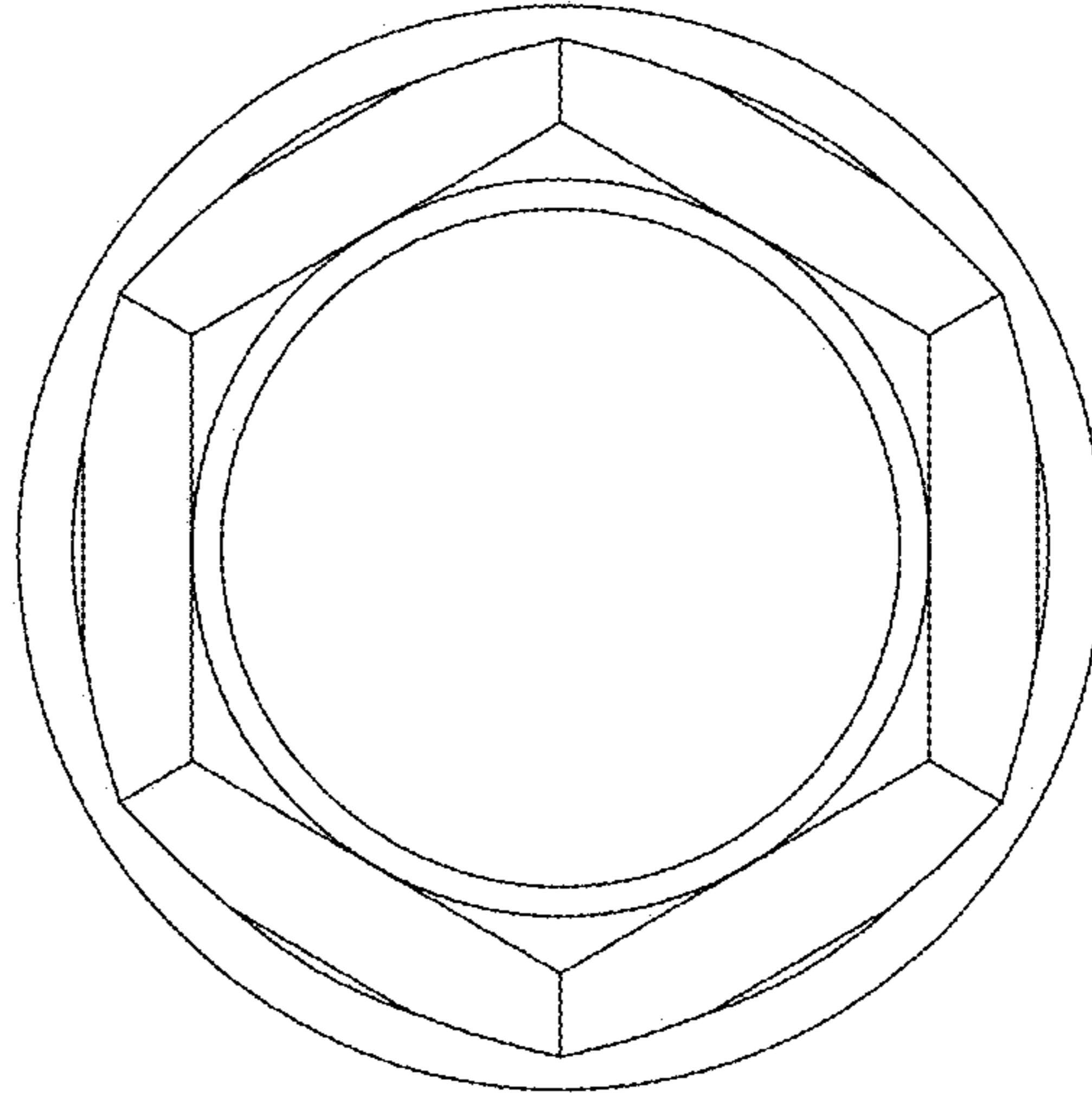


FIG. 1

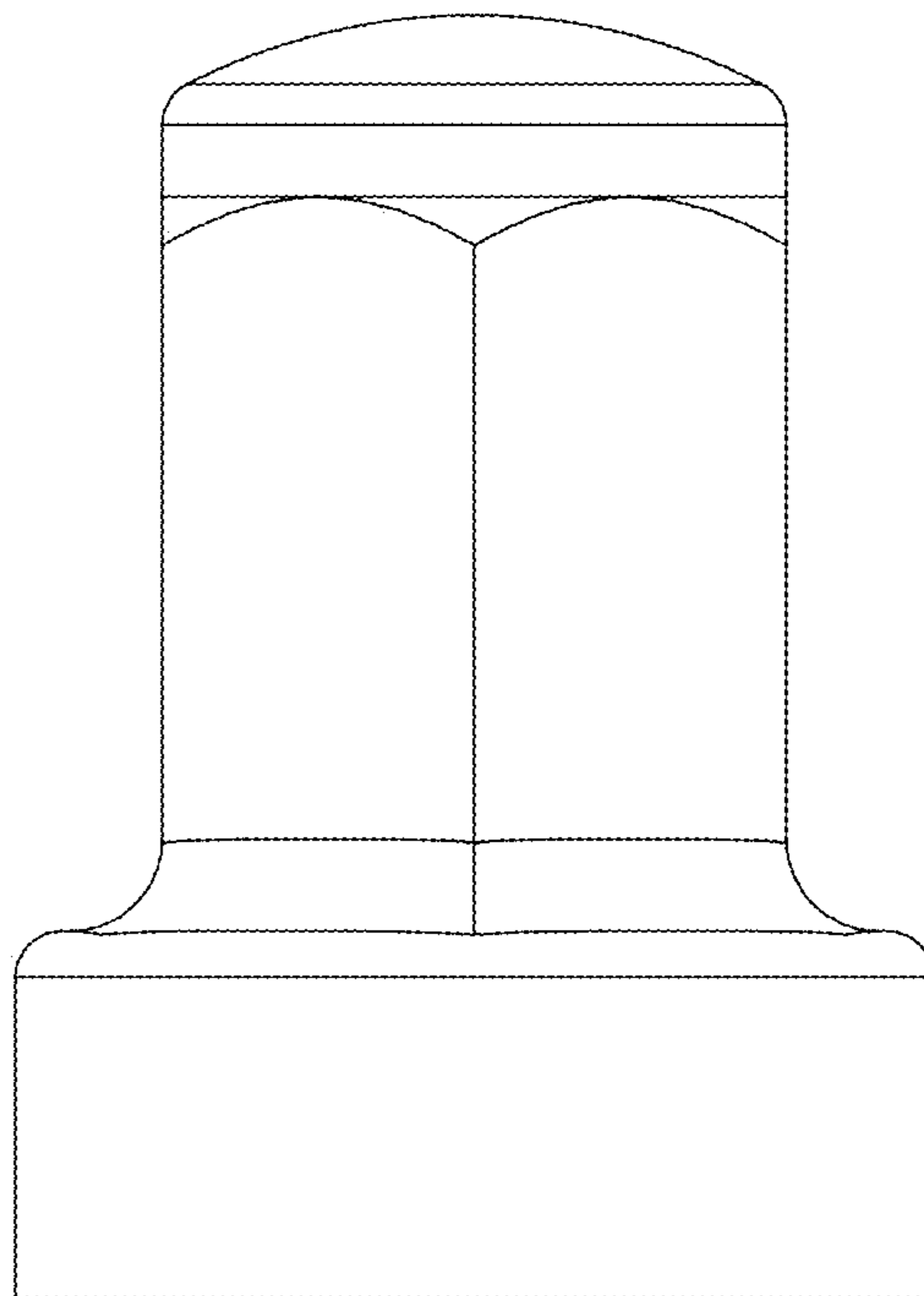


Fig.2

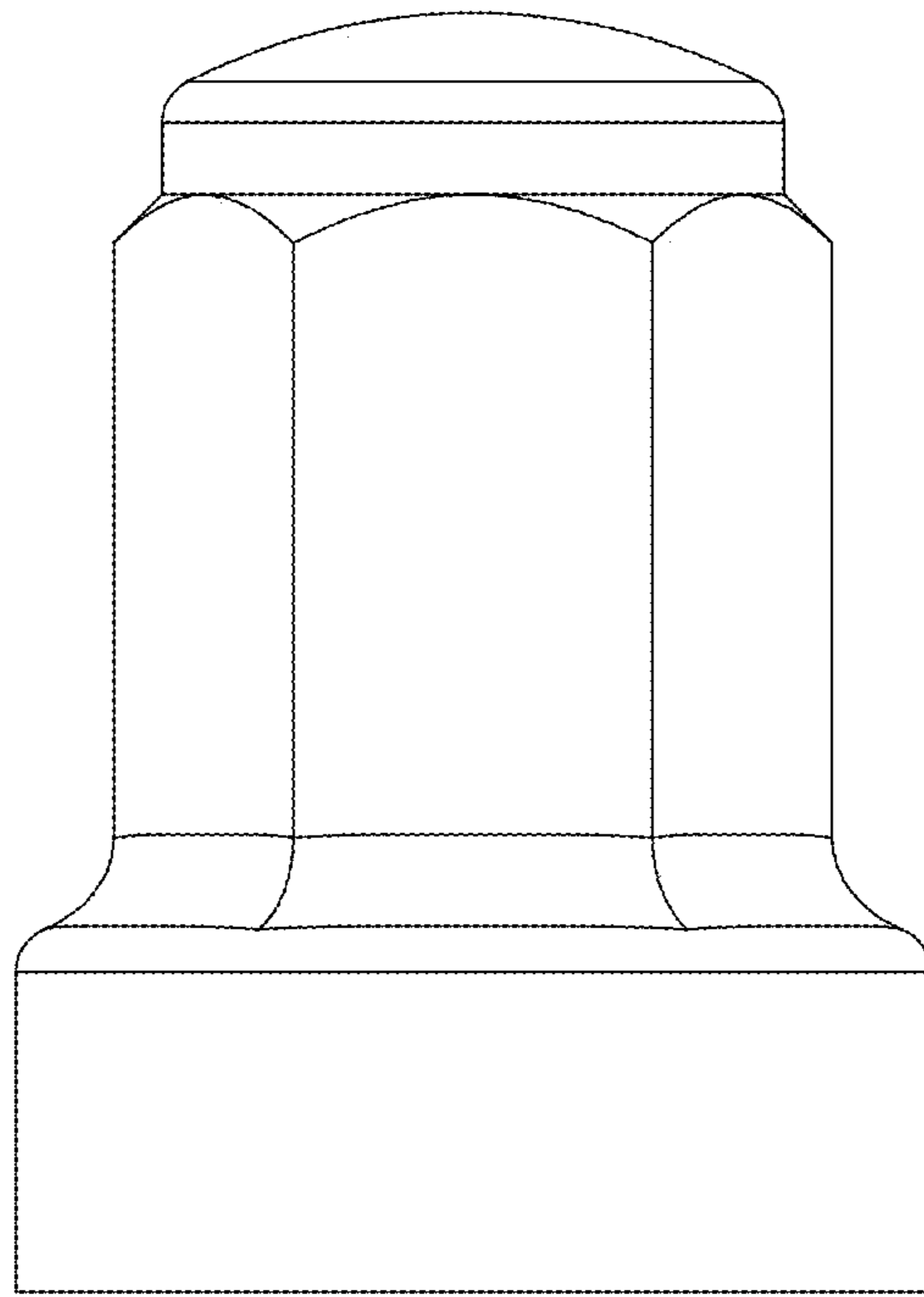


Fig. 3

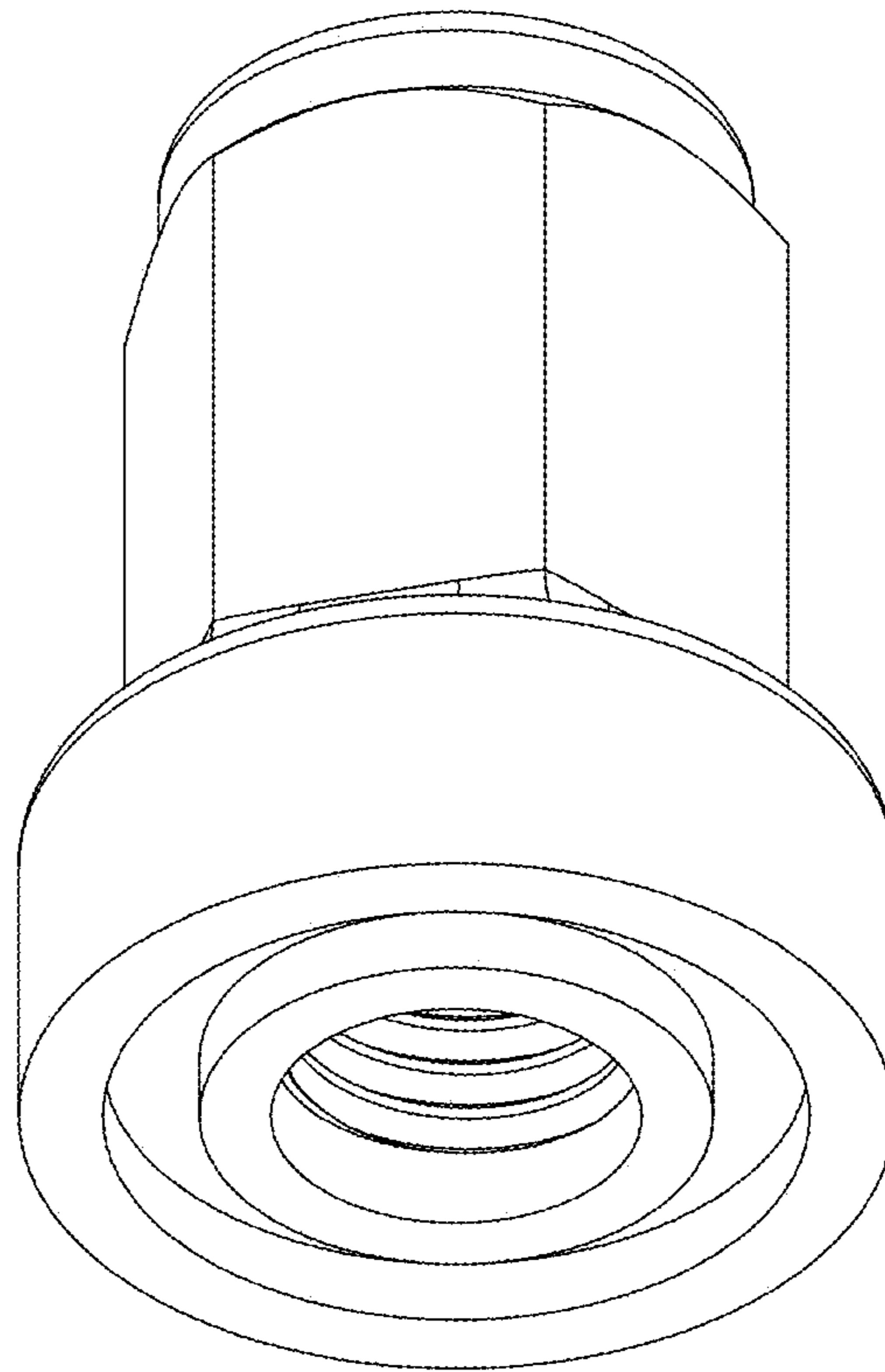


Fig. 4

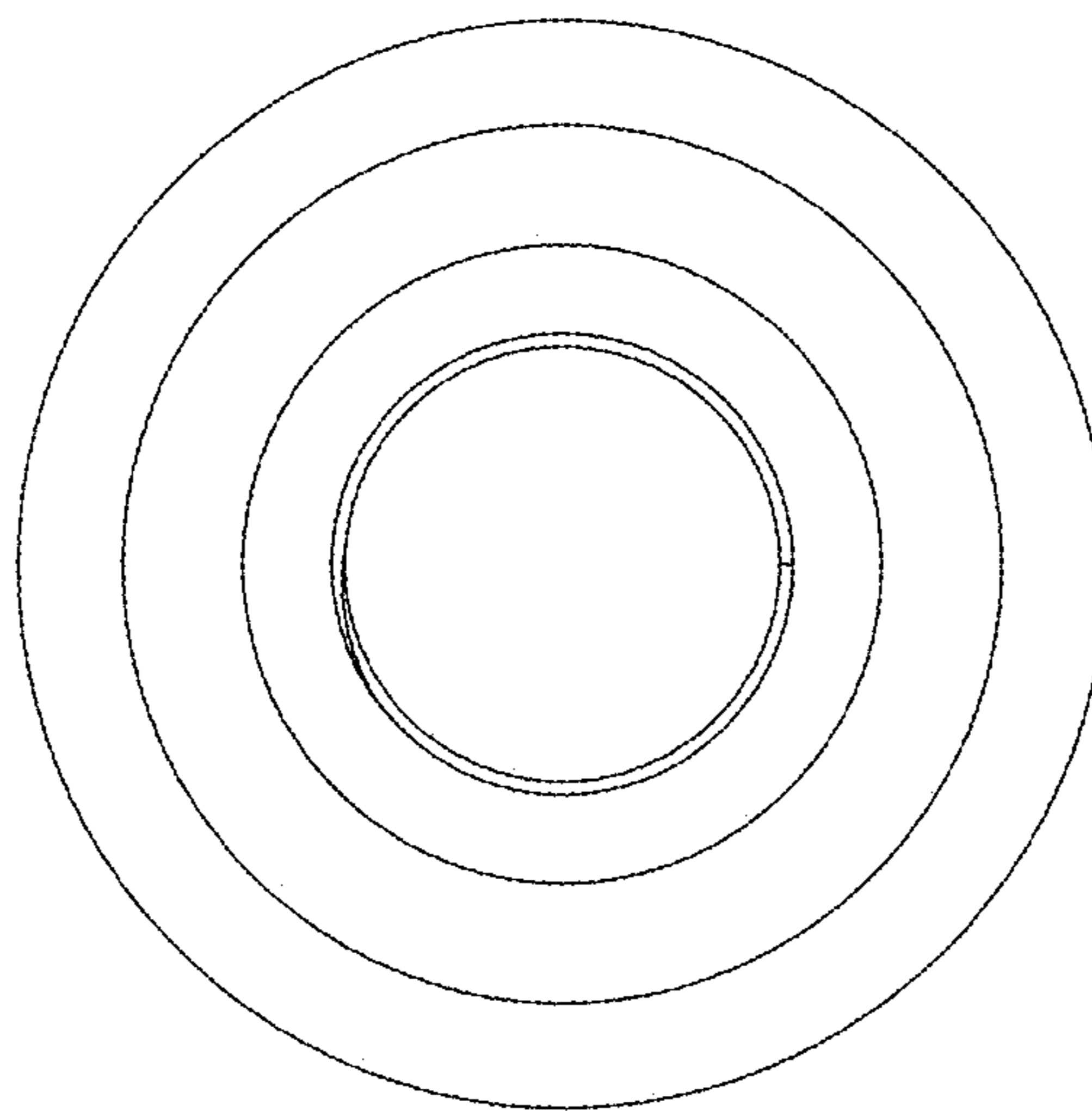


Fig. 5