



US00D949677S

(12) **United States Design Patent**  
**Ruberto et al.**

(10) **Patent No.:** **US D949,677 S**

(45) **Date of Patent:** **\*\* Apr. 26, 2022**

- (54) **HOSE CLIP**
- (71) Applicant: **LNEJR INNOVATIONS, LLC**,  
Westerville, OH (US)
- (72) Inventors: **Leo H. Ruberto**, Westerville, OH (US);  
**Eduard Nemenyi**, Westerville, OH (US)
- (\*\*) Term: **15 Years**
- (21) Appl. No.: **29/699,138**
- (22) Filed: **Jul. 23, 2019**
- (51) **LOC (13) Cl.** ..... **08-08**
- (52) **U.S. Cl.**  
USPC ..... **D8/395**
- (58) **Field of Classification Search**  
USPC .... D8/397, 394, 382, 349, 399, 387, 70, 29,  
D8/83, 86, 395, 367, 356, 396;  
411/376.2, 84, 446, 399, 490, 455, 377,  
411/173; D23/259, 260; 248/74.3, 191  
CPC .... F01N 13/009; F16B 37/068; F16B 33/002;  
F16B 5/0208; F16B 41/002; F16B  
23/0061; F16B 31/02; F16B 37/02  
See application file for complete search history.

- 8,714,496 B2 \* 5/2014 Blanchard ..... H02G 3/32  
248/74.3
- D708,284 S \* 7/2014 Litwin ..... D21/789
- D710,741 S \* 8/2014 Hirschorn ..... D11/78.1
- D711,284 S \* 8/2014 Crumbley ..... D11/215
- D715,630 S \* 10/2014 Szymanski ..... D8/395
- D715,631 S \* 10/2014 Szymanski ..... D8/395
- D716,137 S \* 10/2014 Szymanski ..... D8/395
- D716,138 S \* 10/2014 Szymanski ..... D8/395
- 9,010,697 B1 \* 4/2015 Kirschner ..... F16L 3/1075  
248/74.4
- D736,853 S \* 8/2015 Brown ..... D19/34
- D757,533 S \* 5/2016 Ormsbee ..... D8/395
- D770,887 S \* 11/2016 Sudol ..... D8/395

(Continued)

*Primary Examiner* — Cynthia R Underwood  
(74) *Attorney, Agent, or Firm* — Bryce D. Miracle, Esq.;  
MIP Legal, Ltd.

(57) **CLAIM**

The ornamental design for a hose clip, substantially as shown and described.

**DESCRIPTION**

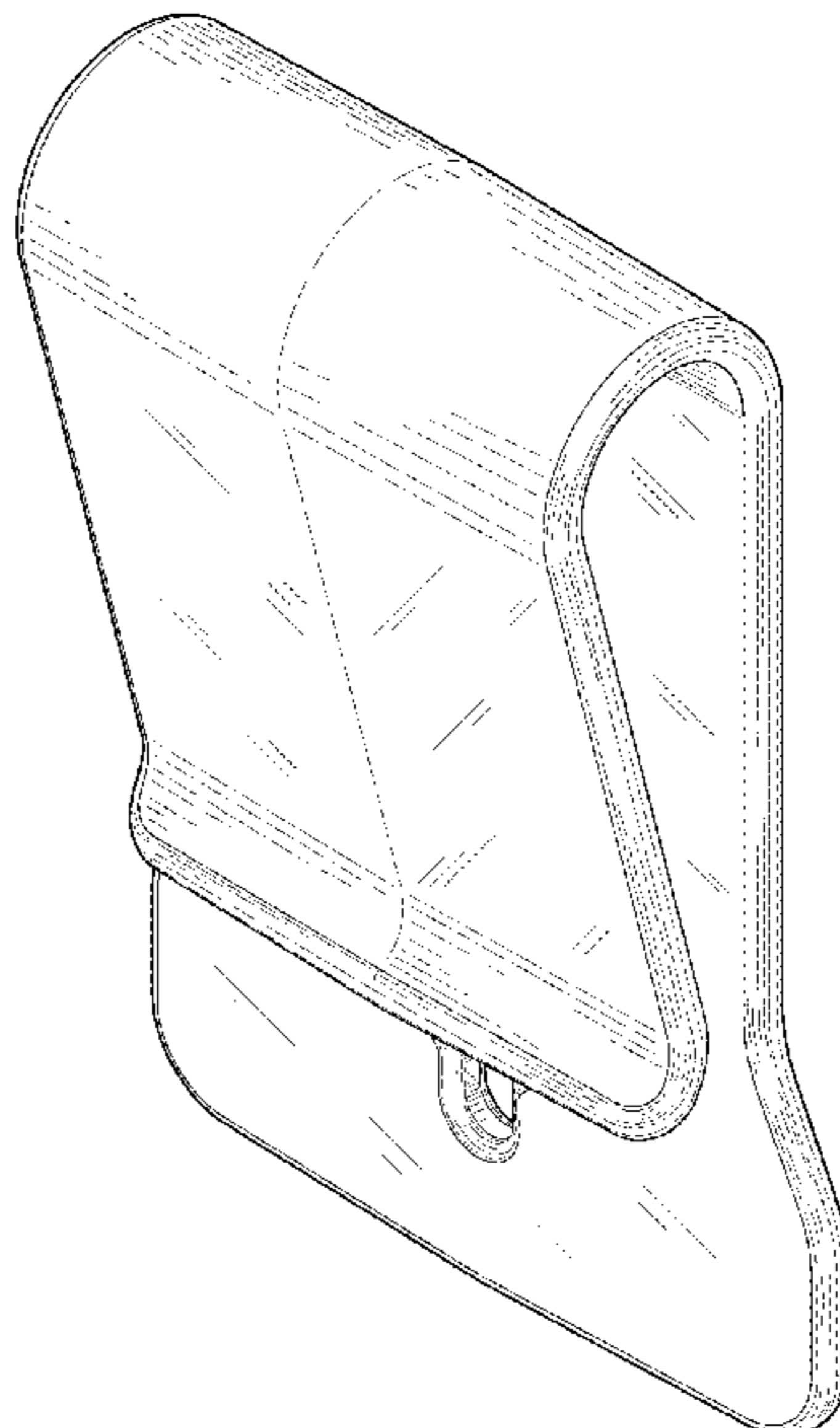
FIG. 1 is a front perspective view of a hose clip showing the new design;  
FIG. 2 is a front perspective view thereof;  
FIG. 3 is a front elevation view thereof;  
FIG. 4 is a rear elevation view thereof;  
FIG. 5 is a left side elevation view thereof;  
FIG. 6 is a right side elevation view thereof;  
FIG. 7 is a bottom plan view thereof;  
FIG. 8 is a top plan view thereof;  
FIG. 9 is a front sectional view taken along lines 9-9 in FIG. 5 thereof; and,  
FIG. 10 is a rear sectional view taken along lines 10-10 in FIG. 6 thereof.  
The broken lines in FIGS. 5 and 6 depict cut line markers and form no part of the claim.

**1 Claim, 6 Drawing Sheets**

(56) **References Cited**

U.S. PATENT DOCUMENTS

1,942,701 A	1/1934	Hilton	
2,537,703 A	1/1951	Randa	
2,873,999 A	2/1959	Webb	
3,119,587 A	1/1964	Anderson	
3,747,166 A	7/1973	Eross	
4,974,764 A	12/1990	Cantwell	
5,797,166 A	8/1998	Wagenheim	
6,588,064 B2	7/2003	Baum	
6,742,685 B2	6/2004	Williams	
D537,329 S *	2/2007	Blanton	D8/395
D537,331 S *	2/2007	Hill	D8/395
D597,827 S *	8/2009	Brassard	D8/395
D636,293 S *	4/2011	Dolce	D11/222



(56)

**References Cited**

U.S. PATENT DOCUMENTS

D781,571	S *	3/2017	Moerer .....	D3/215
D782,565	S *	3/2017	Paterson .....	D17/20
9,603,440	B2 *	3/2017	Nguyen .....	A45F 5/00
9,752,604	B2 *	9/2017	Pereira .....	A42B 3/04
D817,804	S *	5/2018	Antinone .....	D11/78.1
D822,474	S *	7/2018	Nguyen .....	D8/394
D836,431	S *	12/2018	Frost .....	D8/396
D847,252	S *	4/2019	Stringham .....	D17/20
D848,822	S *	5/2019	Cooper .....	D8/356
D873,124	S *	1/2020	Nguyen .....	D8/394
D891,240	S *	7/2020	Buczynski .....	D8/395
D893,172	S *	8/2020	Kennard .....	D3/221
2003/0168483	A1	9/2003	Mabe	
2009/0069060	A1 *	3/2009	Kim .....	H04M 1/6066 455/575.6
2010/0254123	A1 *	10/2010	Brown .....	A42B 1/244 362/191
2012/0074185	A1	3/2012	Hoffer	
2016/0143425	A1 *	5/2016	Tvrdy .....	A45F 5/02 24/3.12

\* cited by examiner

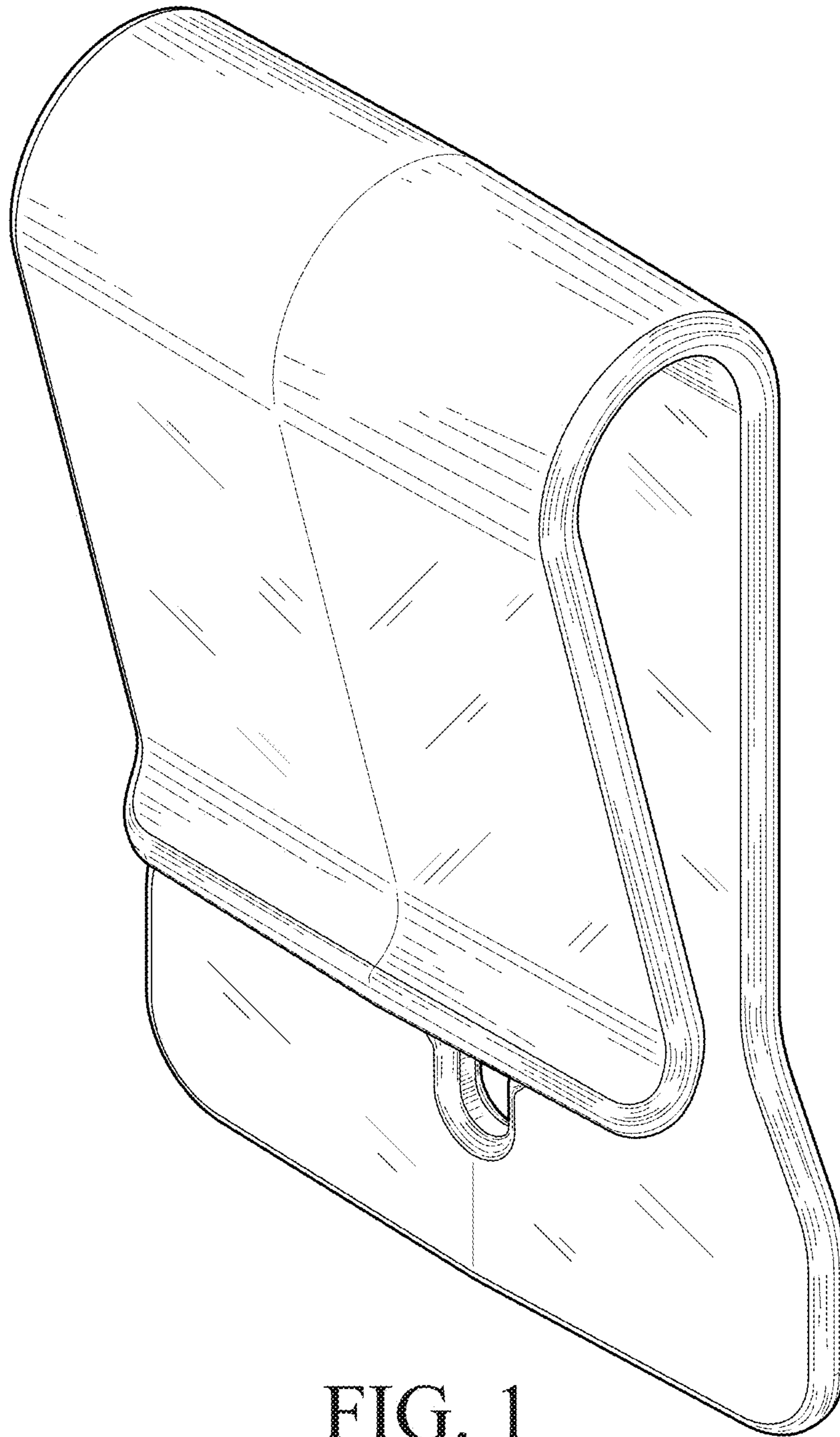


FIG. 1





FIG. 2

FIG. 3

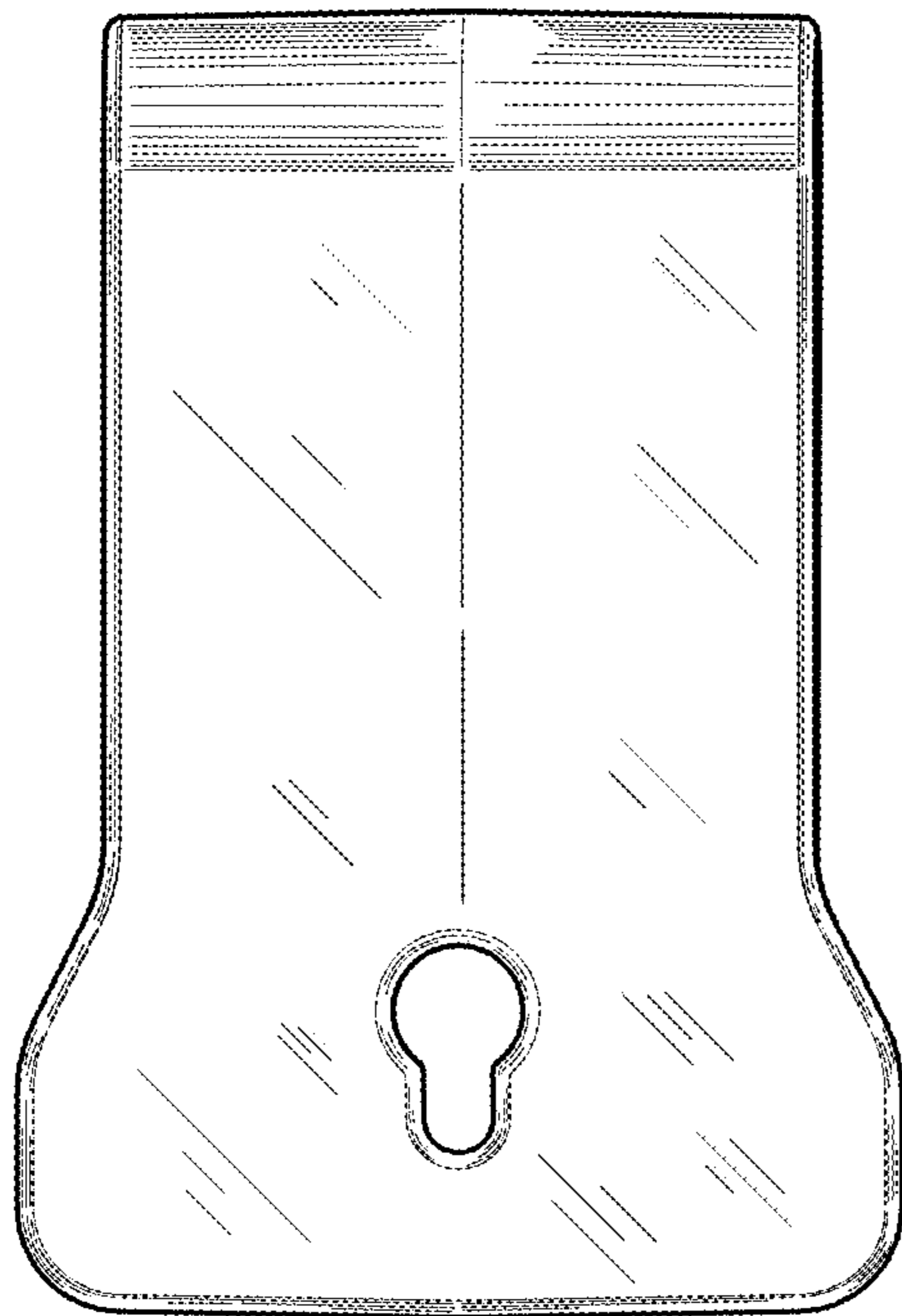
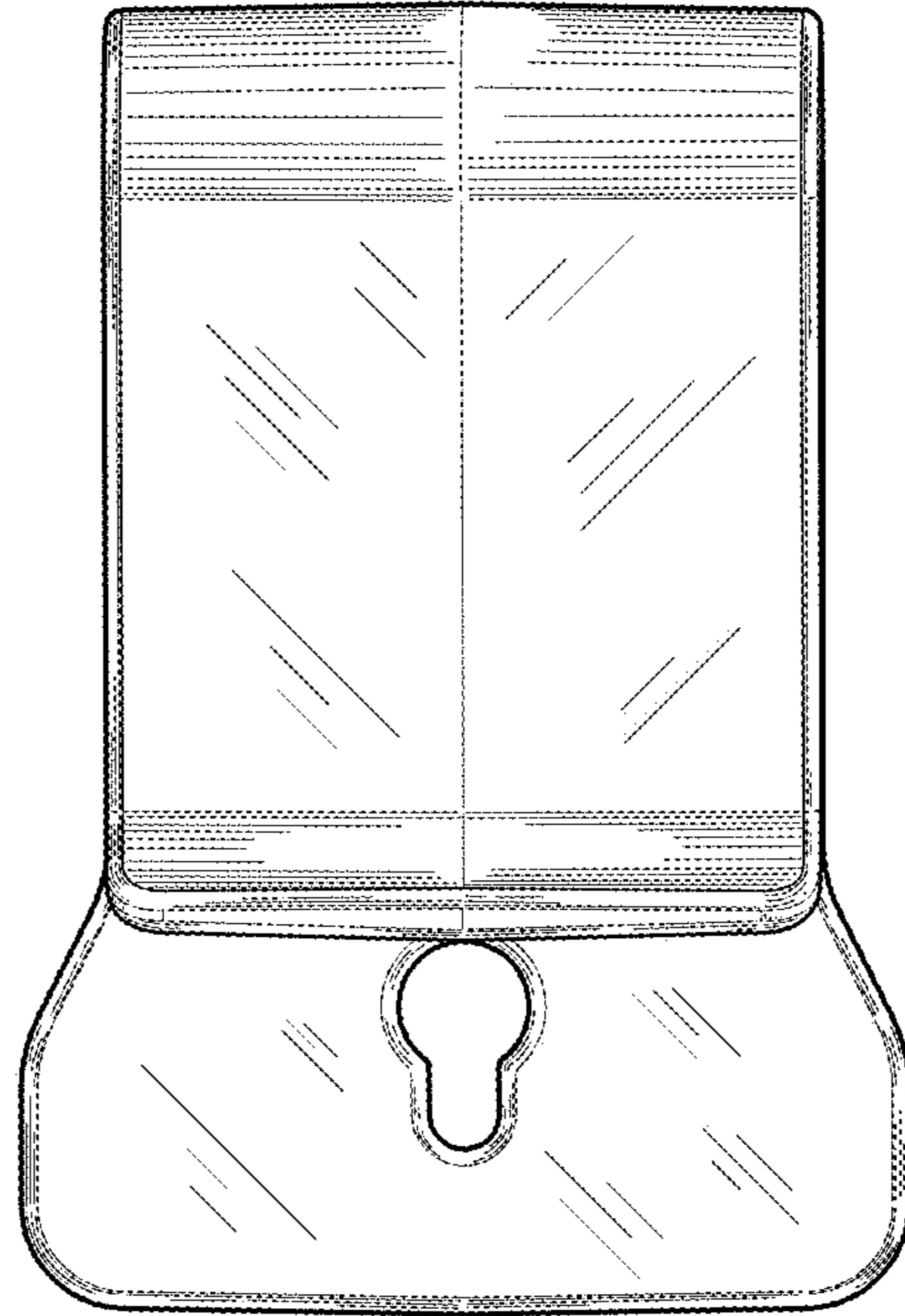


FIG. 4

FIG. 5

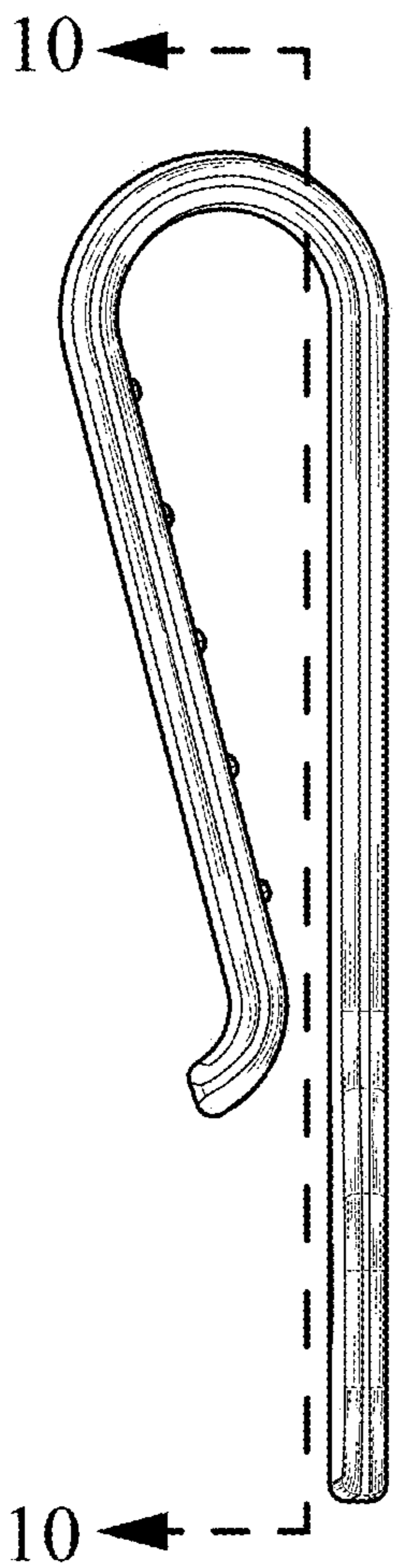
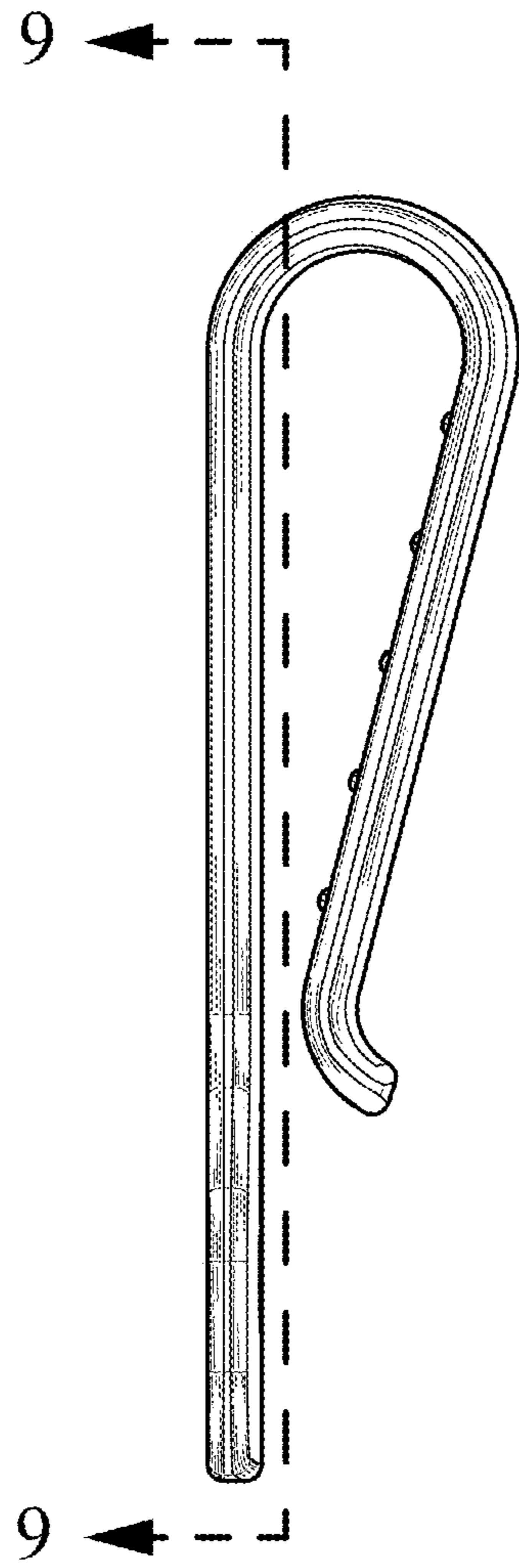


FIG. 6

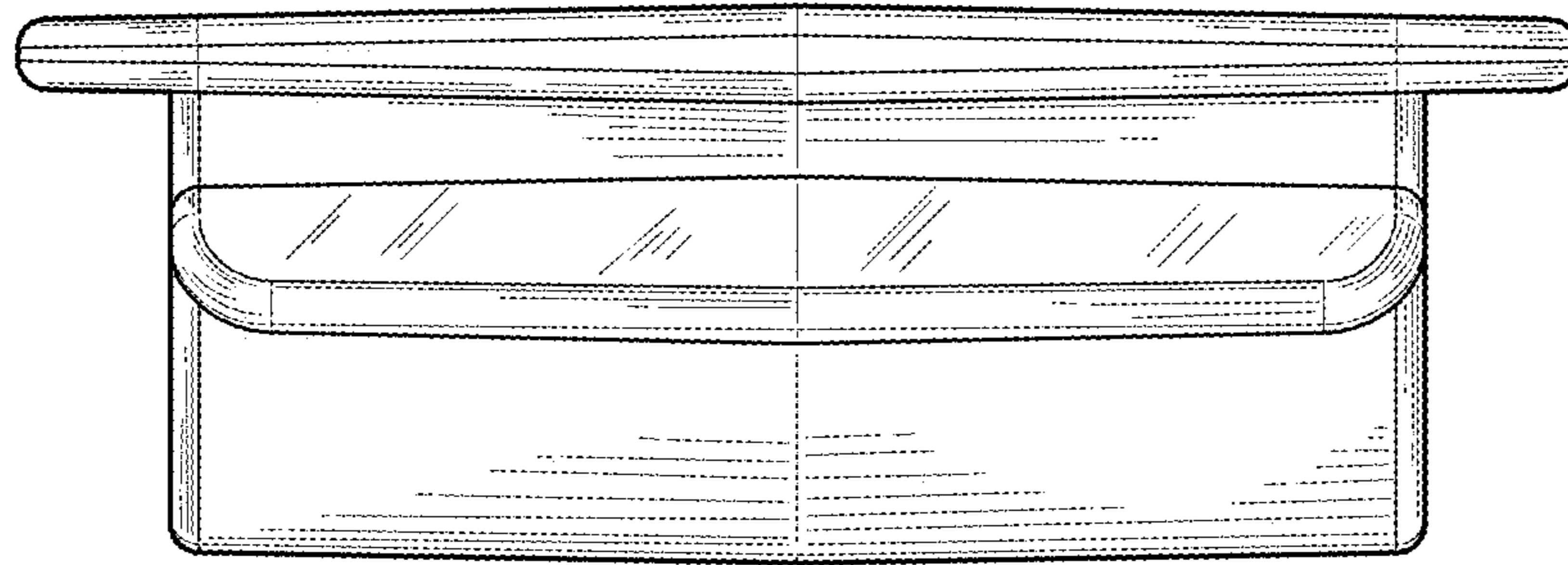


FIG. 7

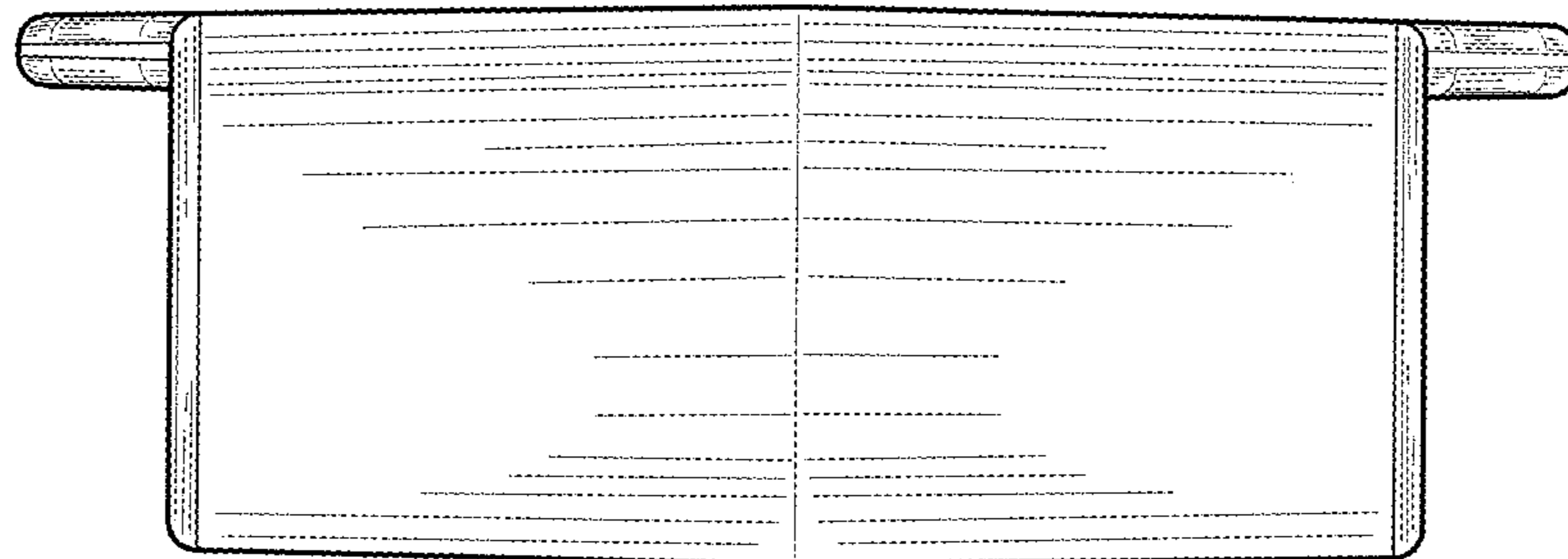


FIG. 8

FIG. 9

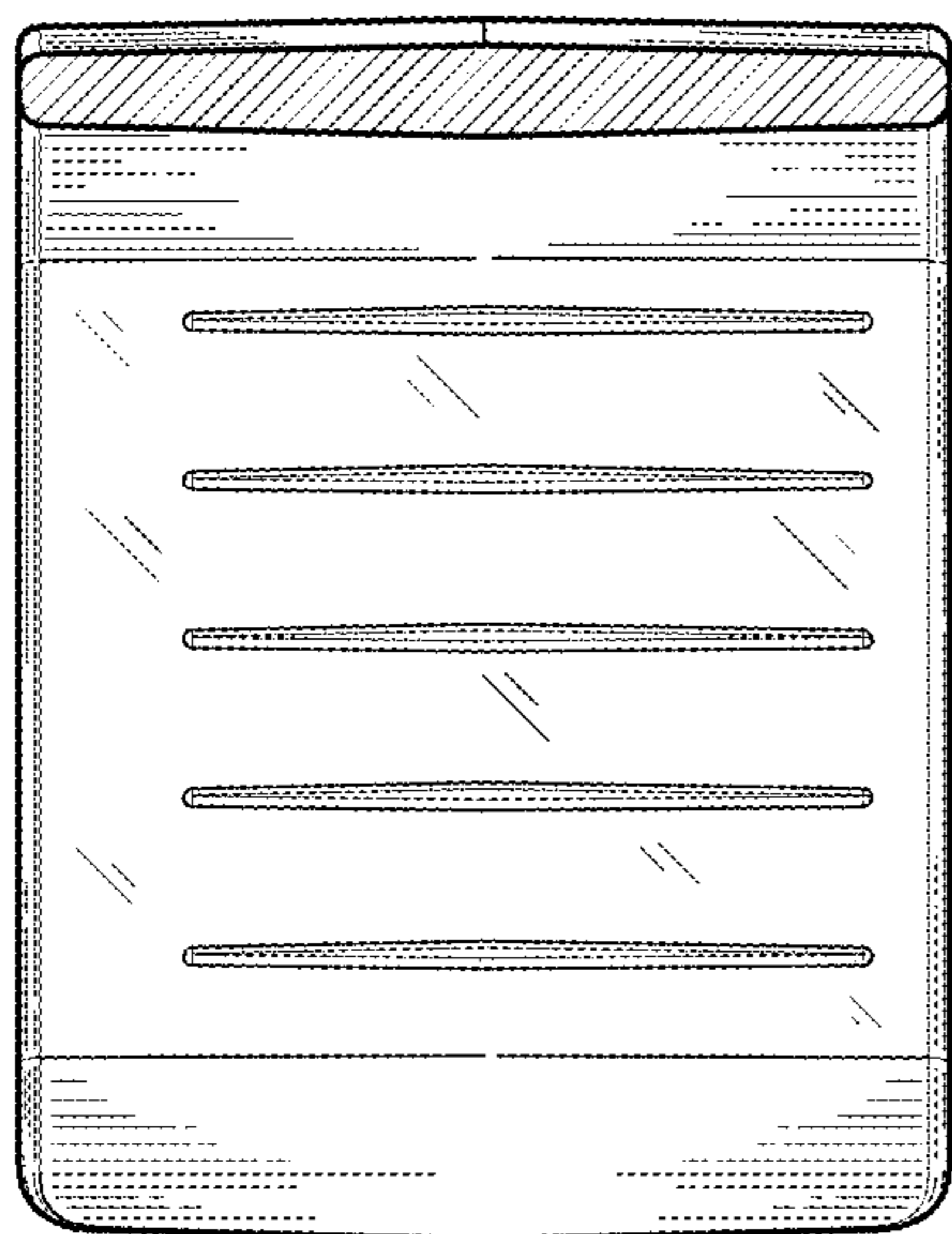
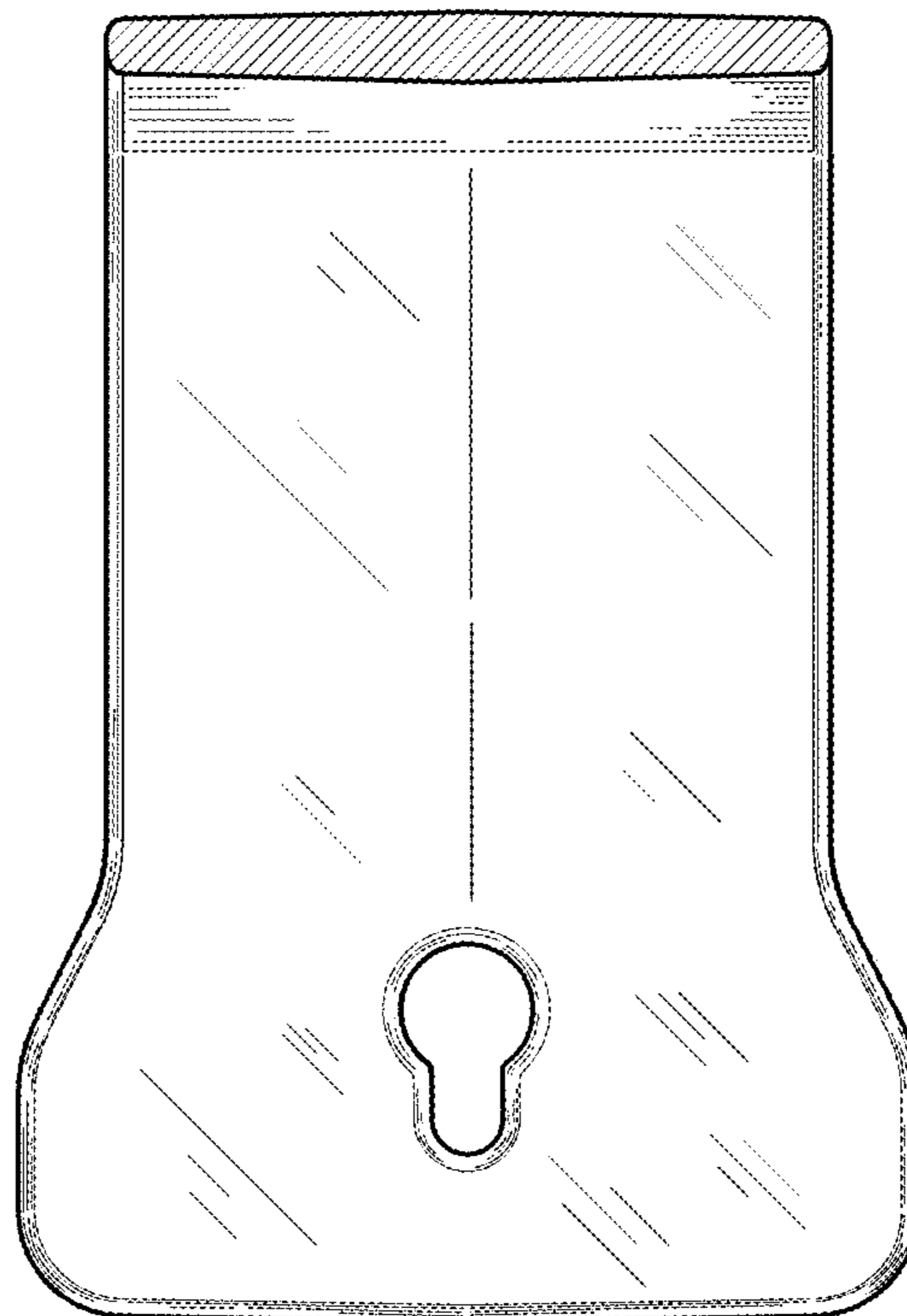


FIG. 10