



US00D949675S

(12) **United States Design Patent** (10) **Patent No.:** **US D949,675 S**
D'Ascanio et al. (45) **Date of Patent:** **** Apr. 26, 2022**

(54) **SUPPORT STAKE**

(71) Applicants: **Franco D'Ascanio**, Key Colony Beach, FL (US); **Sean Snowden**, Marathon, FL (US); **Harold Zimmermann**, Riverton, NJ (US)

(72) Inventors: **Franco D'Ascanio**, Key Colony Beach, FL (US); **Sean Snowden**, Marathon, FL (US); **Harold Zimmermann**, Riverton, NJ (US)

(73) Assignee: **COASTAL SOURCE, LLC**, Marathon, FL (US)

(**) Term: **15 Years**

(21) Appl. No.: **29/749,641**

(22) Filed: **Sep. 8, 2020**

(51) **LOC (13) Cl.** **08-08**

(52) **U.S. Cl.**
USPC **D8/390**

(58) **Field of Classification Search**
USPC D8/1, 354, 380, 388, 389, 390, 391
CPC .. A01G 9/122; E04H 12/2215; F21V 21/0824
See application file for complete search history.

(56) **References Cited**

U.S. PATENT DOCUMENTS

D41,036 S *	12/1910	Keeble et al.	B25D 17/00
				D8/380
D216,776 S *	3/1970	Adams	F21V 17/02
				D8/389
D252,851 S *	9/1979	Church	411/463
D282,525 S *	2/1986	Samson	D8/371
D357,482 S *	4/1995	Forbush	D15/17
D440,833 S *	4/2001	Tanner	D8/1
D615,831 S *	5/2010	Whitney	D8/1
D629,678 S *	12/2010	Norton	A45C 13/26
				D8/388

9,890,551 B1 *	2/2018	Delao	E04H 12/2215
D838,576 S *	1/2019	Cramer	D8/354
D880,998 S *	4/2020	Kilgore	D8/391
2017/0198887 A1 *	7/2017	Veloskey	F21V 17/02
2019/0380282 A1 *	12/2019	Burshan	B25D 17/00

* cited by examiner

Primary Examiner — Calvin E Vansant

(74) *Attorney, Agent, or Firm* — Stuart M. Goldstein

(57) **CLAIM**

The ornamental design for a support stake, as shown and described.

DESCRIPTION

FIG. 1 is the top view of the support stake of the present invention.

FIG. 2 is the bottom view of the support stake of the present invention.

FIG. 3 is the rear view of the support stake of the present invention.

FIG. 4 is an elevation view of the support stake of the present invention.

FIG. 5 is the front view of the support stake of the present invention.

FIG. 6 is the elevation view of the support stake of the present invention, opposite to the view seen in FIG. 4.

FIG. 7 is a perspective view of the support stake of the present invention.

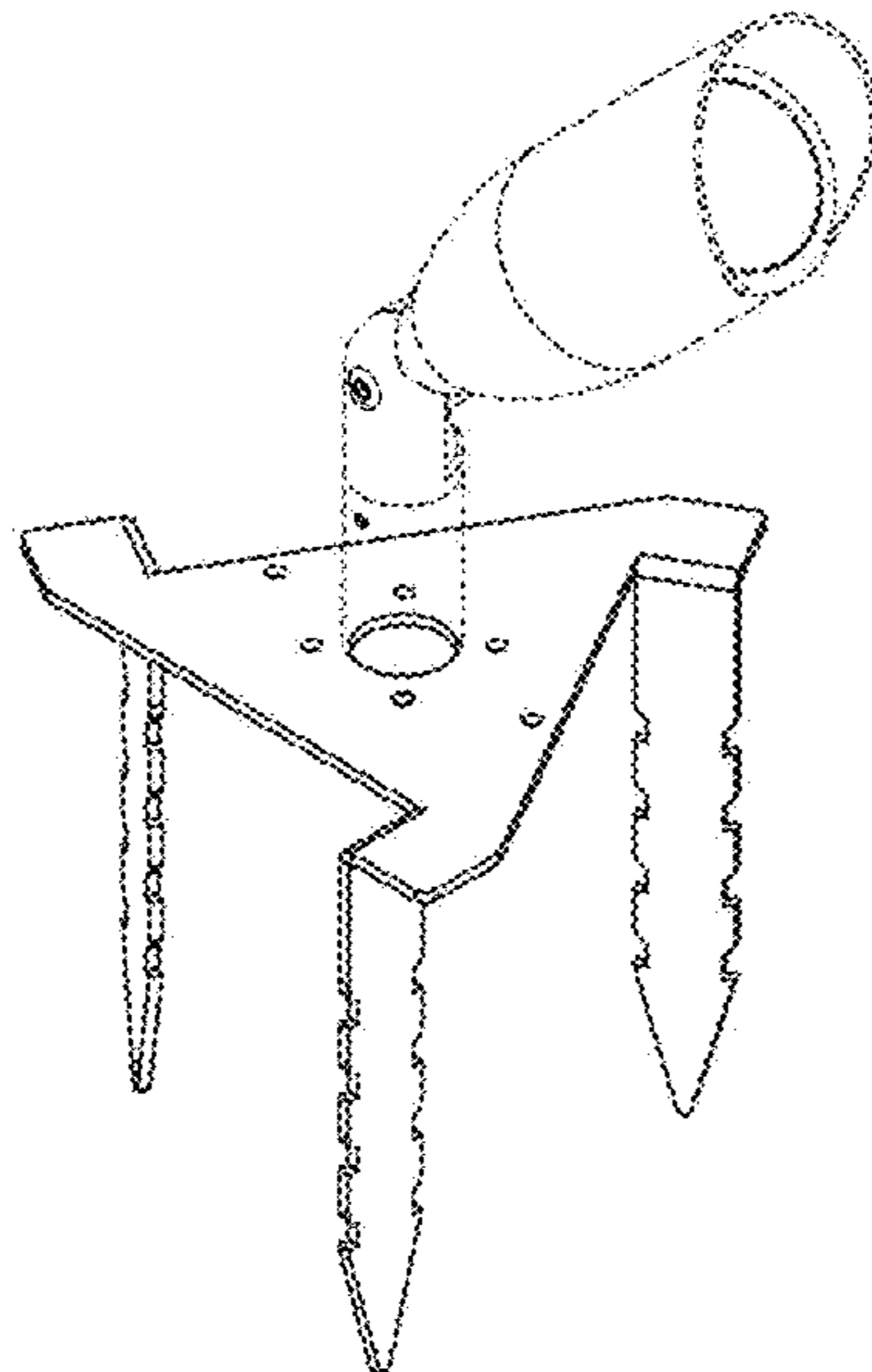
FIG. 8 is a view of the support stake of the present invention in a use context.

FIG. 9 is another view of the support stake of the present invention in a use context; and,

FIG. 10 is another view of the support stake of the present invention in a use context.

The broken lines in FIGS. 8-10 depict environment and form no part in the claimed design.

1 Claim, 3 Drawing Sheets



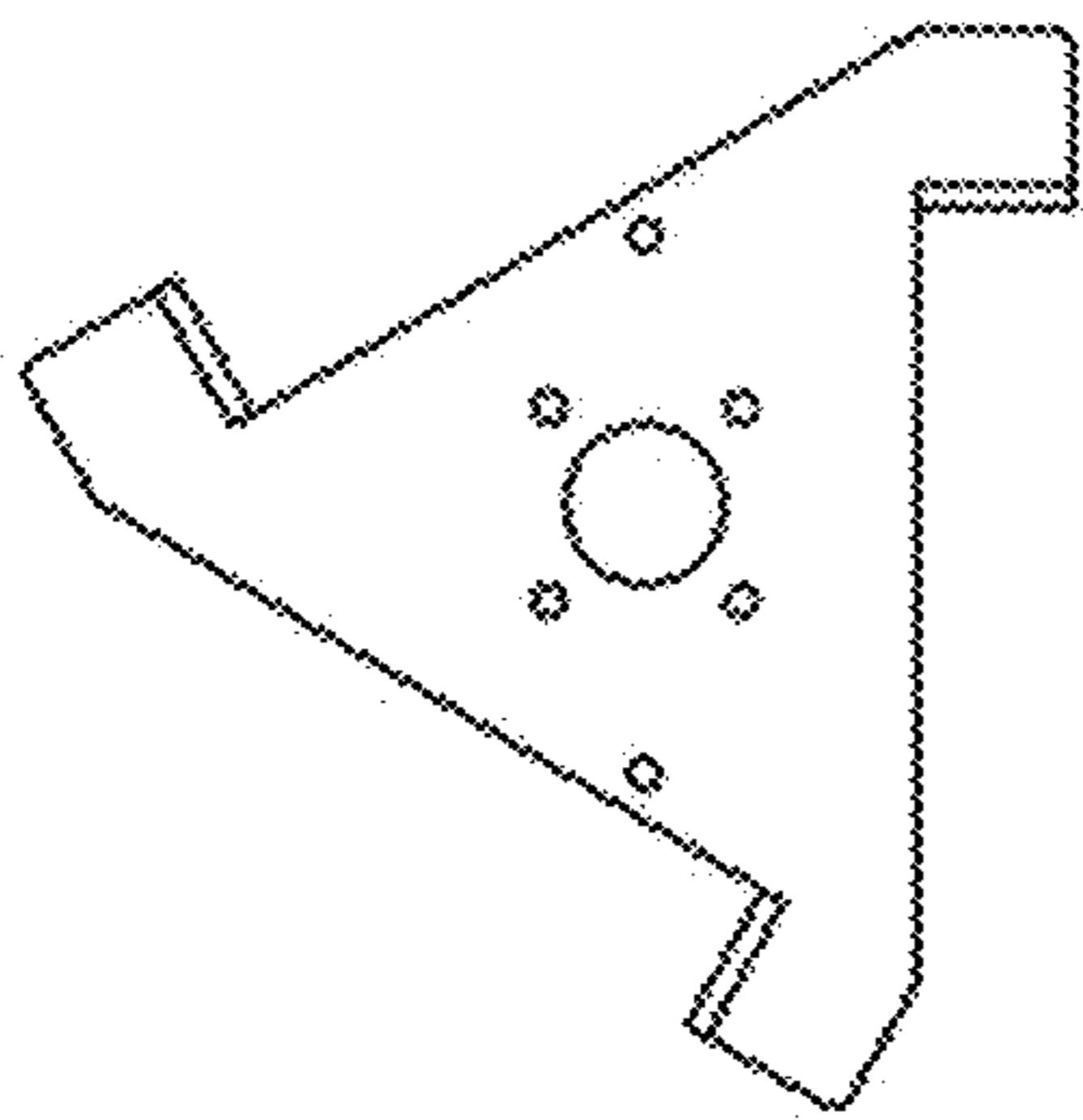


Fig. 1

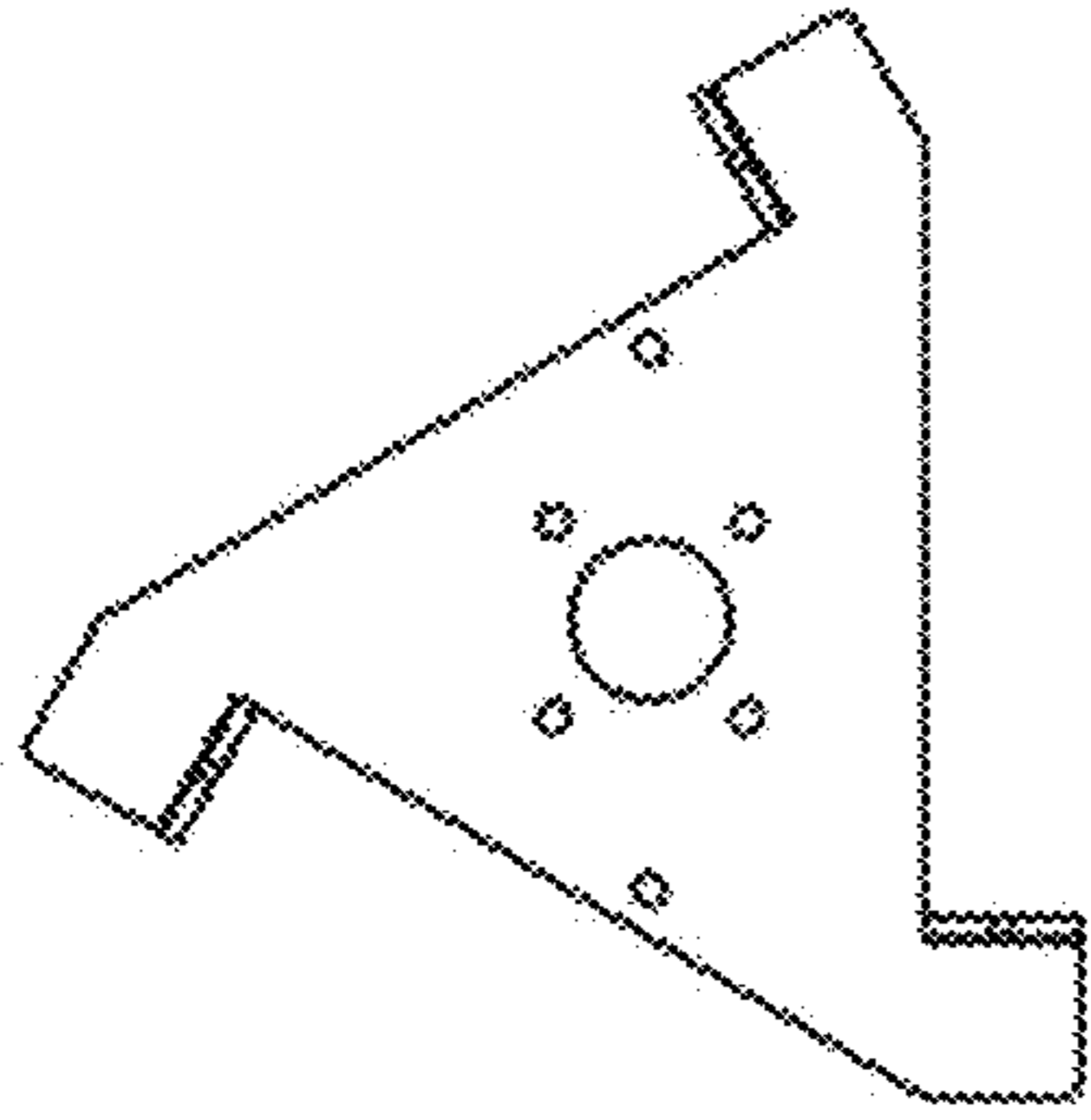


Fig. 2

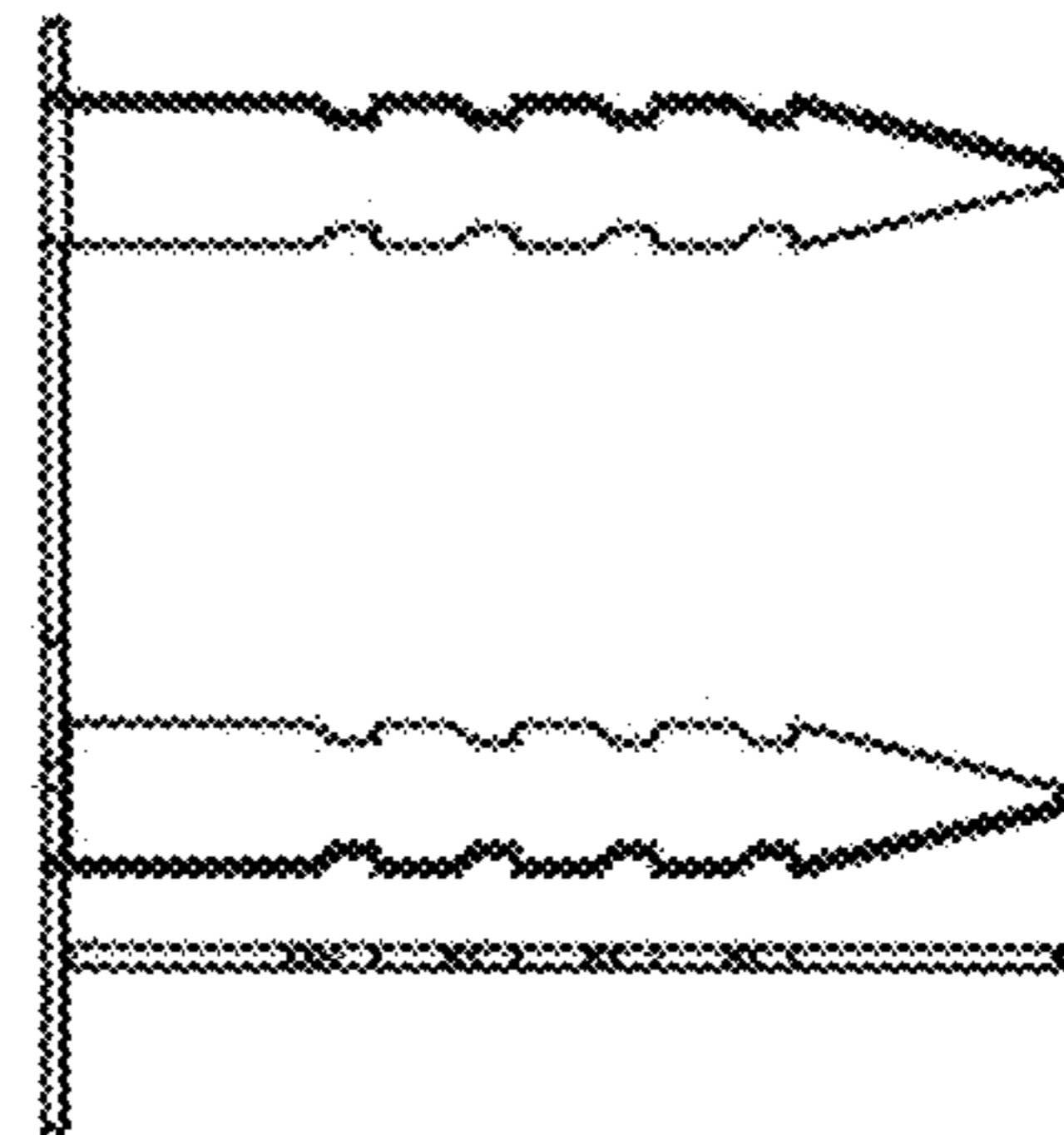


Fig. 3

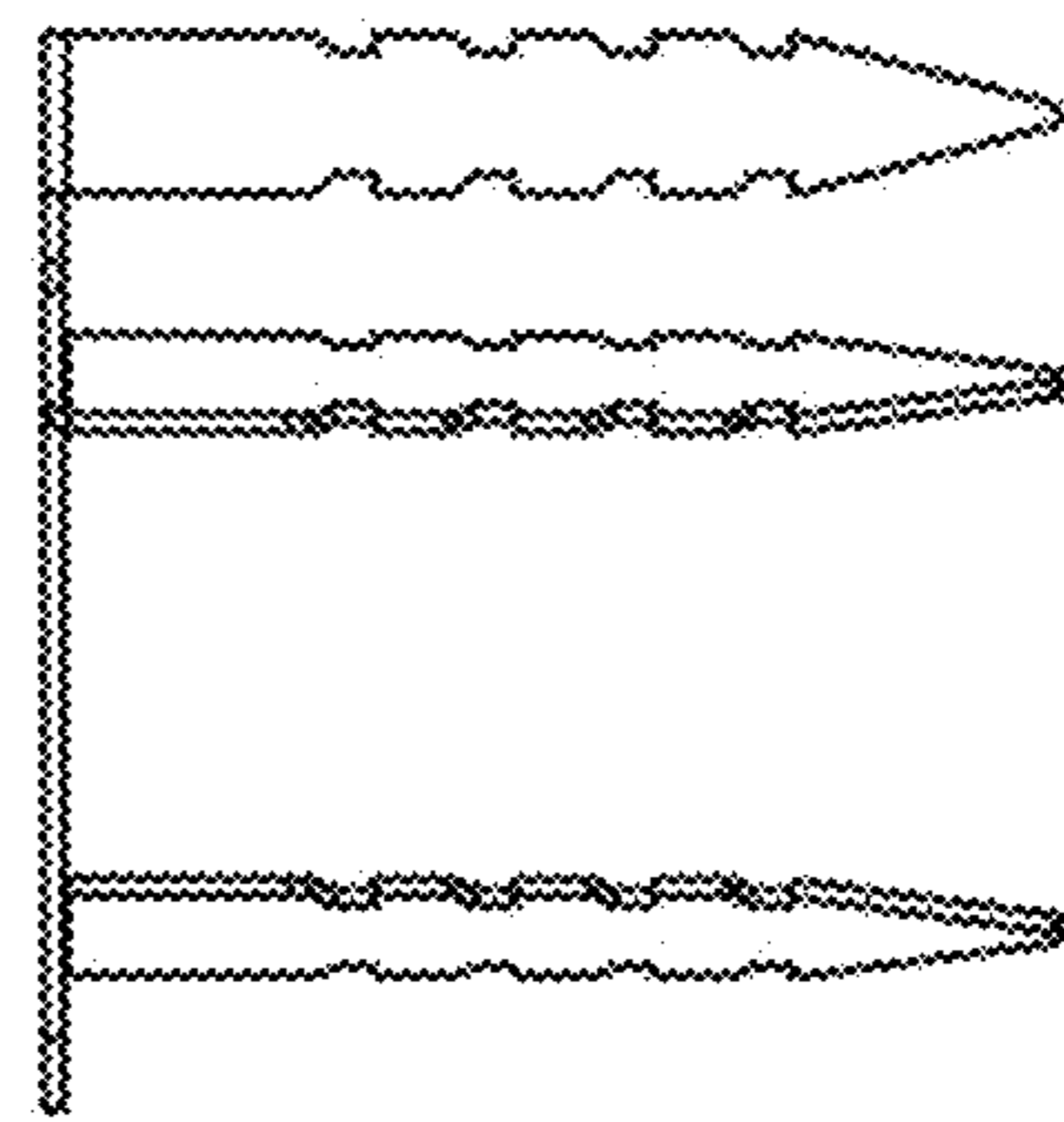


Fig. 4

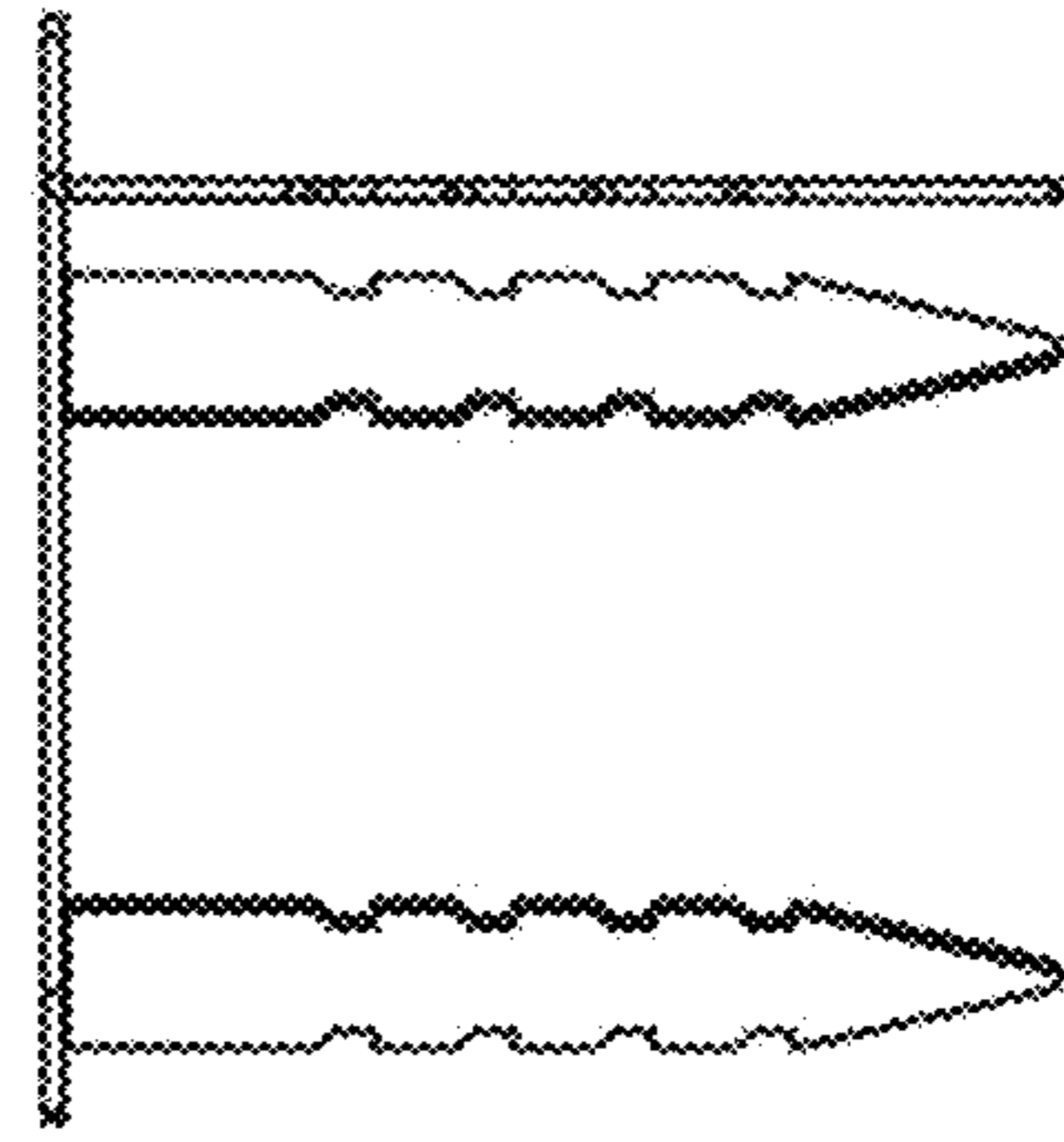


Fig. 5

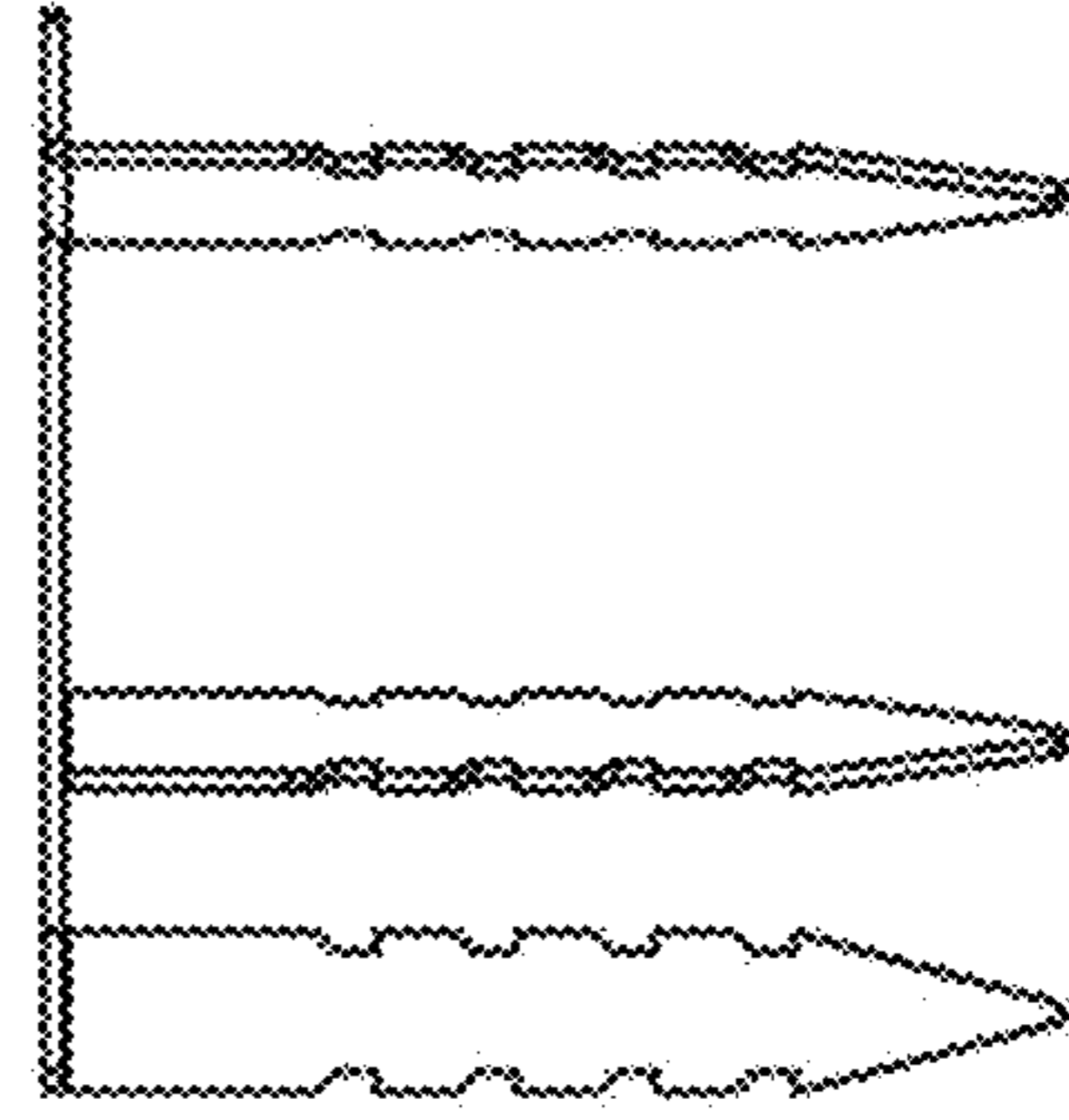


Fig. 6

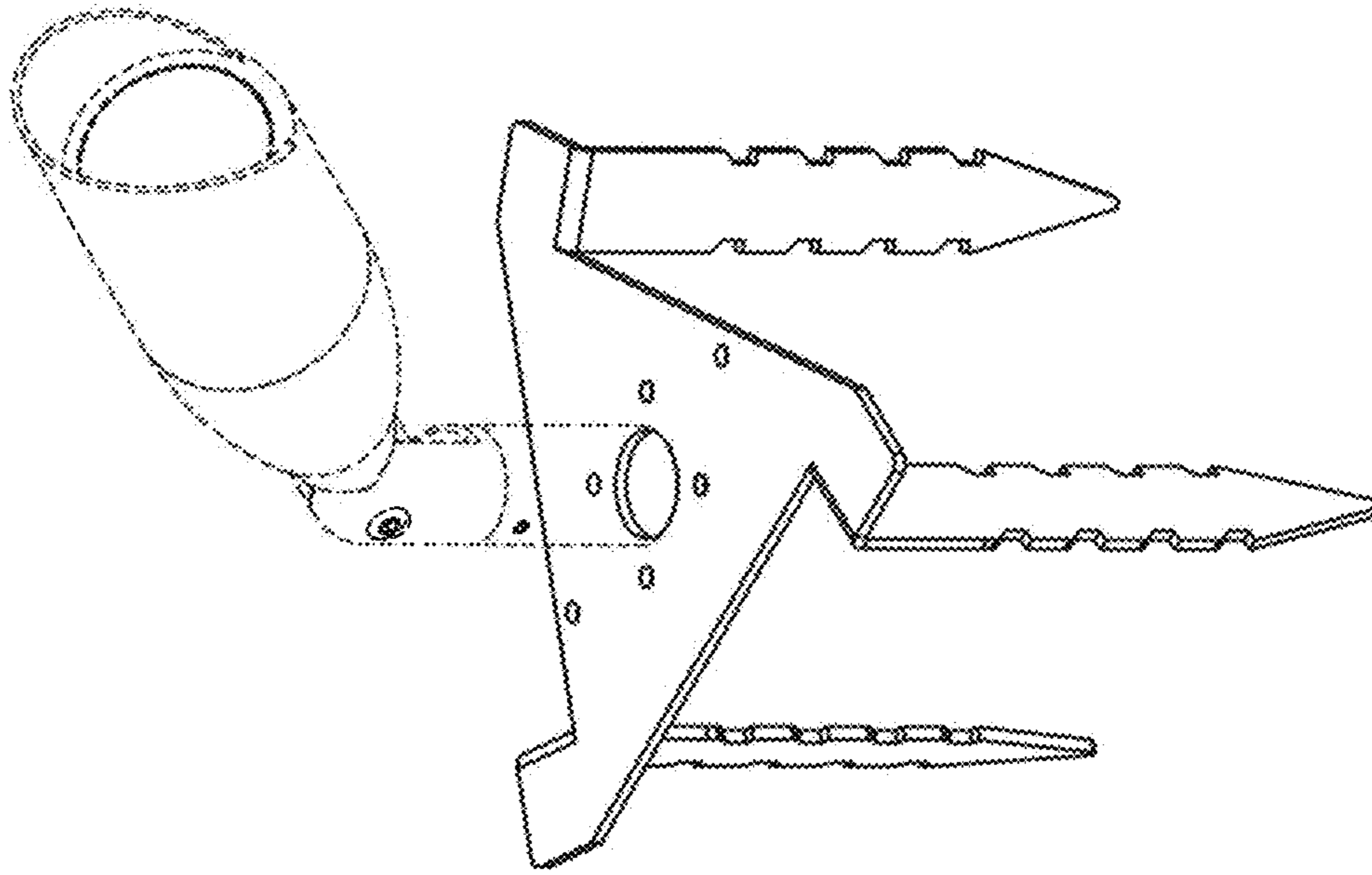


Fig. 8

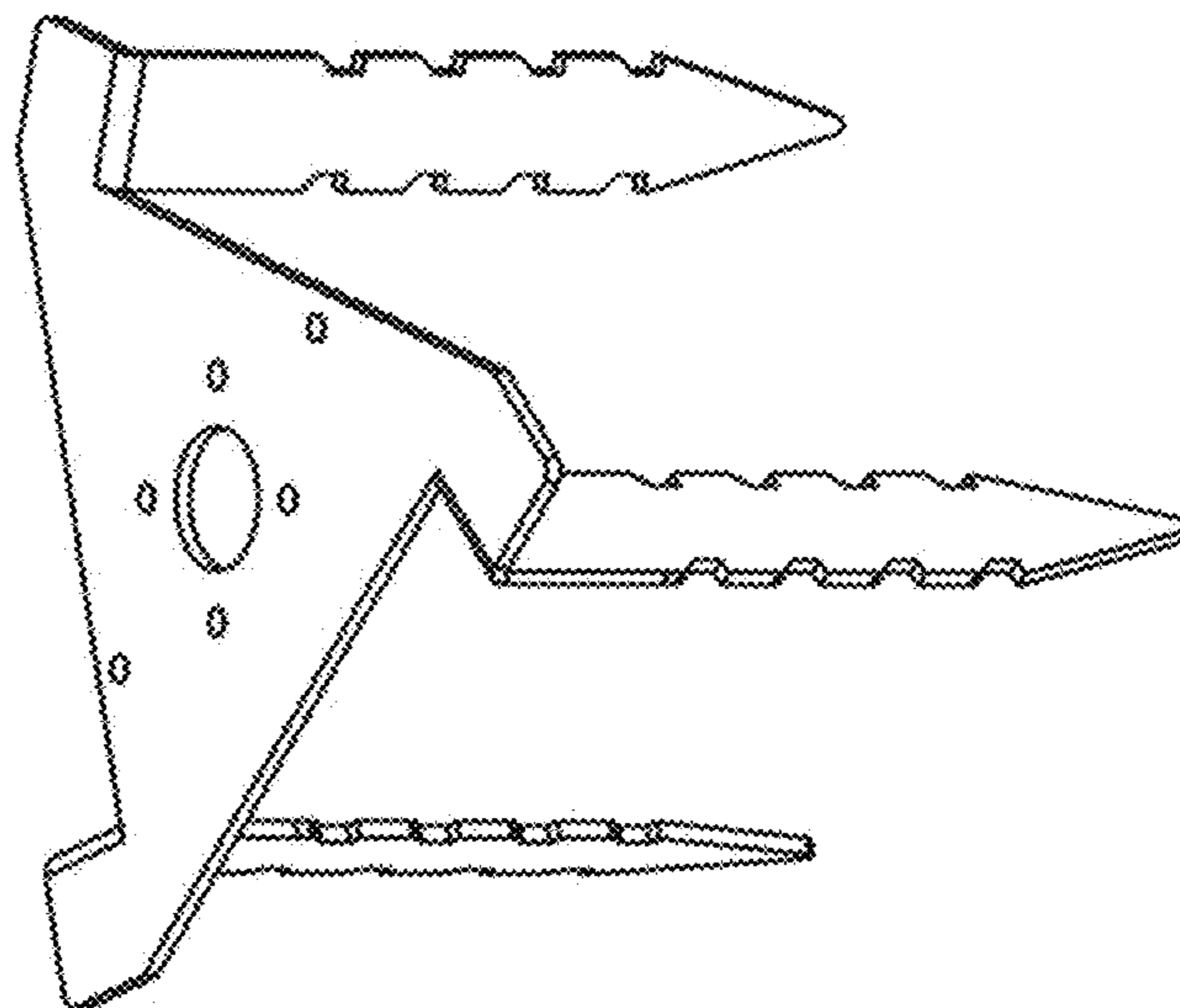


Fig. 7

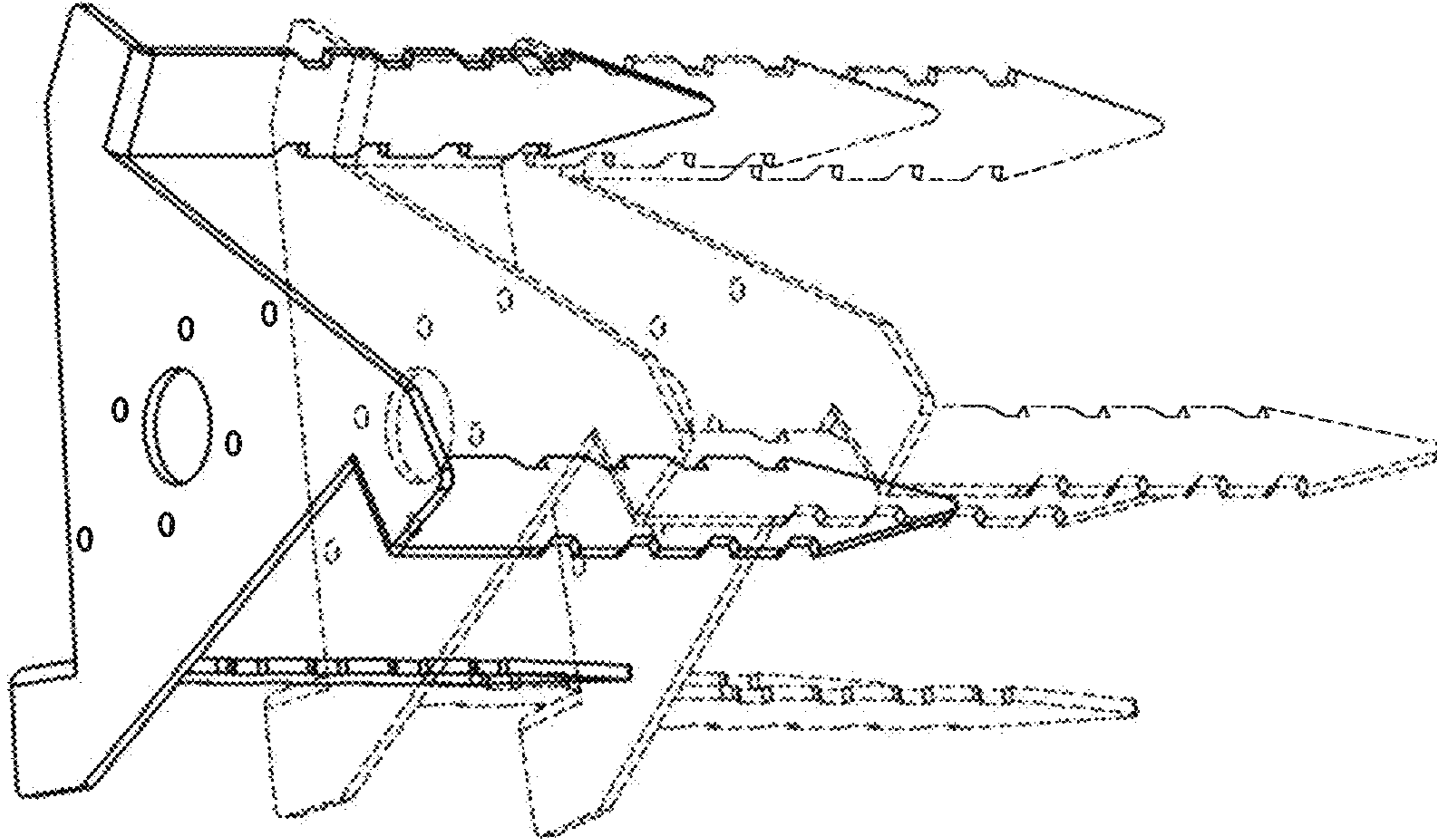


Fig. 10

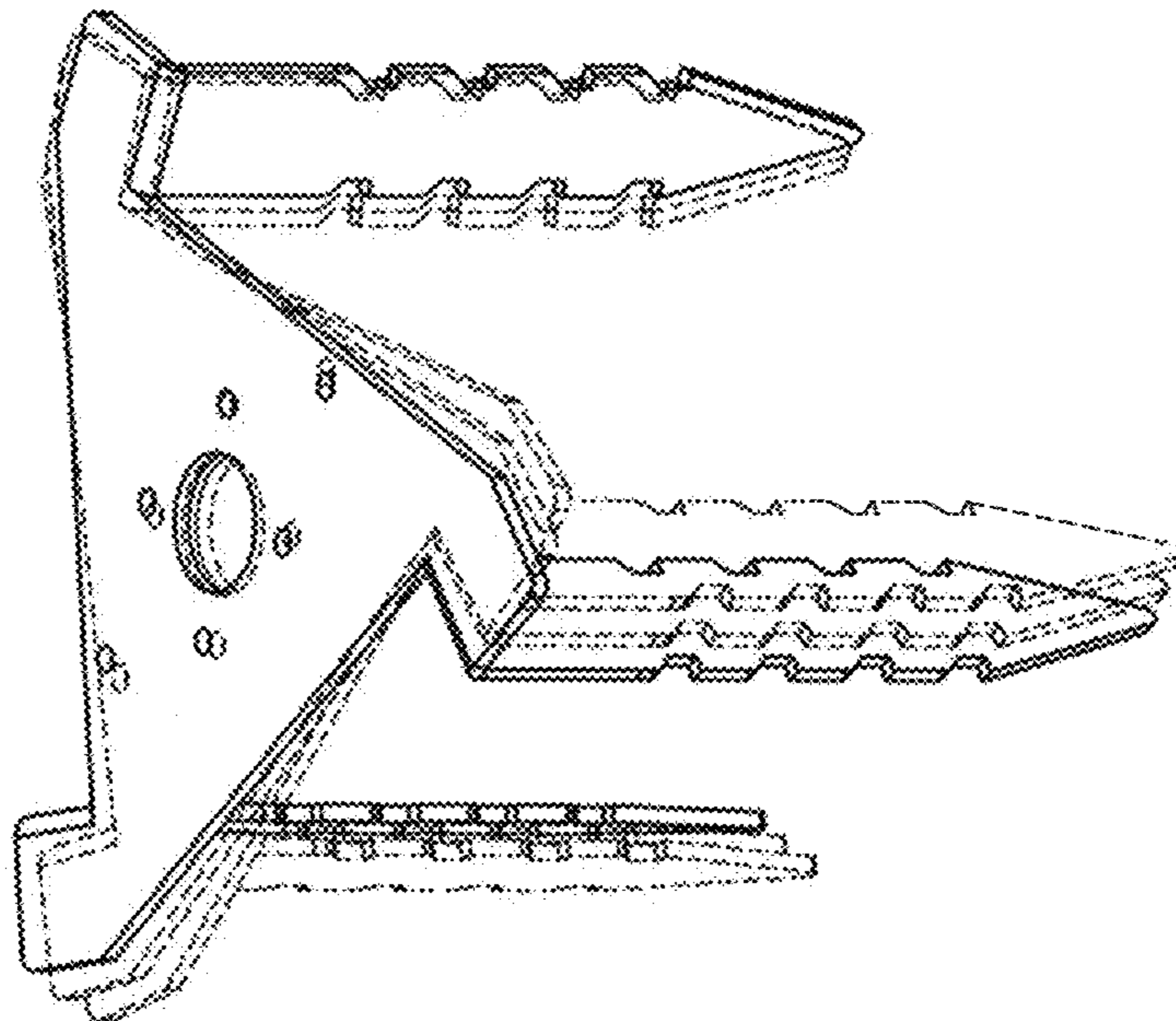


Fig. 9