

US00D949673S

(12) **United States Design Patent** (10) **Patent No.:** **US D949,673 S**
Wendling (45) **Date of Patent:** **** Apr. 26, 2022**

- (54) **RECESSED FURNITURE RISER**
- (71) Applicant: **Just Fur Love LLC**, Boston, MA (US)
- (72) Inventor: **Allan Wendling**, New Lothrop, MI (US)
- (73) Assignee: **Just Fur Love, LLC**, Boston, MA (US)
- (**) Term: **15 Years**
- (21) Appl. No.: **29/670,049**
- (22) Filed: **Nov. 13, 2018**
- (51) **LOC (13) Cl.** **08-05**
- (52) **U.S. Cl.**
USPC **D8/374**
CPC **A47C 7/006** (2013.01)
- (58) **Field of Classification Search**
USPC D8/15, 16, 19, 20, 72-74, 349, 374, 375,
D8/376, 354, 382, 499, 680, 681, 310,
D8/307, 321, 399, 398; D17/30, 99, 9;
D6/706.16, 710
CPC A47C 7/006; A47C 7/62; A47B 91/12;
B60T 3/00; A47F 1/065; G10C 3/16
See application file for complete search history.

- D493,096 S * 7/2004 Sittig D8/374
- 6,948,688 B1 * 9/2005 Payne A47C 19/024
5/509.1
- D661,575 S * 6/2012 Ruiz D8/374
- 9,033,293 B1 * 5/2015 Glenn A47B 91/005
248/346.11
- D734,135 S * 7/2015 Merey D8/374
- D736,607 S * 8/2015 Sheldon D8/374
- D784,120 S * 4/2017 Abdi D8/374
- D808,781 S * 1/2018 Dombkova D17/9
- D813,019 S * 3/2018 Wendling D8/374
- D828,144 S * 9/2018 Rodack
- D893,288 S * 8/2020 Wendling D8/374
- D894,720 S * 9/2020 Wendling D8/374
- D896,621 S * 9/2020 Wendling D8/374
- D896,622 S * 9/2020 Wendling D8/374
- D915,871 S * 4/2021 Wendling D8/374
- D923,462 S * 6/2021 Wendling D8/374
- D925,342 S * 7/2021 Winthrop D8/374

(Continued)

Primary Examiner — Richard E Chilcot
(74) *Attorney, Agent, or Firm* — Wolf, Greenfield & Sacks, P.C.

(57) **CLAIM**

The ornamental design for a recessed furniture riser, as shown and described.

(56) **References Cited**

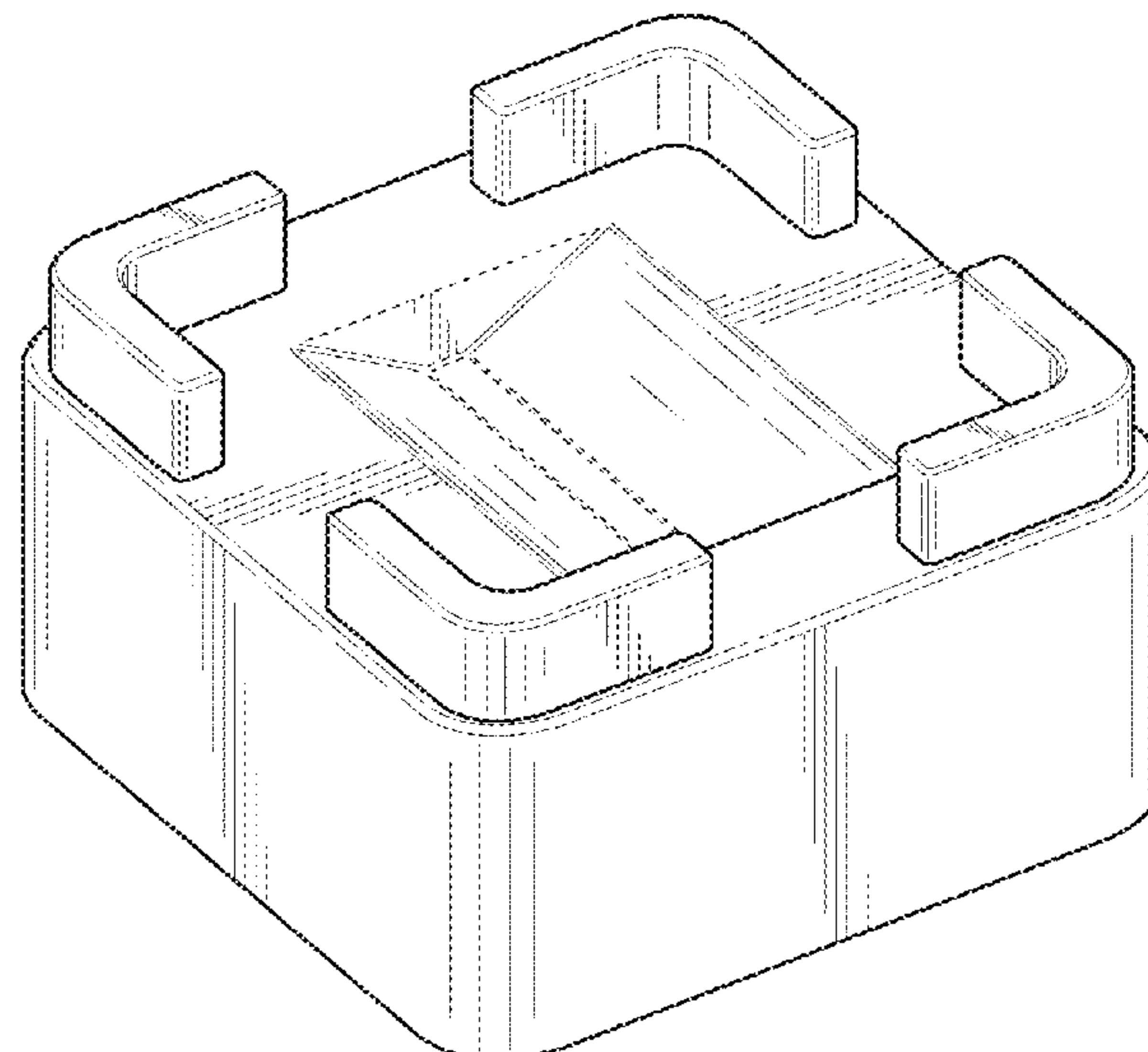
U.S. PATENT DOCUMENTS

- 1,912,728 A * 6/1933 Roe A47B 91/12
248/346.11
- 3,126,666 A 3/1964 Peterson
- 3,138,893 A 6/1964 Rupar
- 5,210,903 A * 5/1993 Horning B60B 33/00
248/352
- D336,843 S * 6/1993 Hurst D8/374
- 5,345,631 A 9/1994 Saperstein et al.
- D404,992 S * 2/1999 Sittig D8/374
- D423,340 S 4/2000 Sittig
- D440,483 S * 4/2001 Bushey D8/374
- 6,345,474 B1 * 2/2002 Triplett E02D 27/01
52/126.6
- D493,095 S * 7/2004 Sittig D8/374

DESCRIPTION

FIG. 1 is a top perspective view of the recessed furniture riser;
FIG. 2 is a top view of the recessed furniture riser of FIG. 1;
FIG. 3 is a side view of the recessed furniture riser of FIG. 1; and,
FIG. 4 is a bottom view of the recessed furniture riser of FIG. 1.
The broken lines show components of the recessed furniture riser that form no part of the claimed design.

1 Claim, 2 Drawing Sheets



(56)

References Cited

U.S. PATENT DOCUMENTS

D929,212 S *	8/2021	Guindi	D8/374
D931,092 S *	9/2021	Tu	D8/374
D941,130 S *	1/2022	Wendling	D8/374
D941,665 S *	1/2022	Zhu	D8/374

* cited by examiner

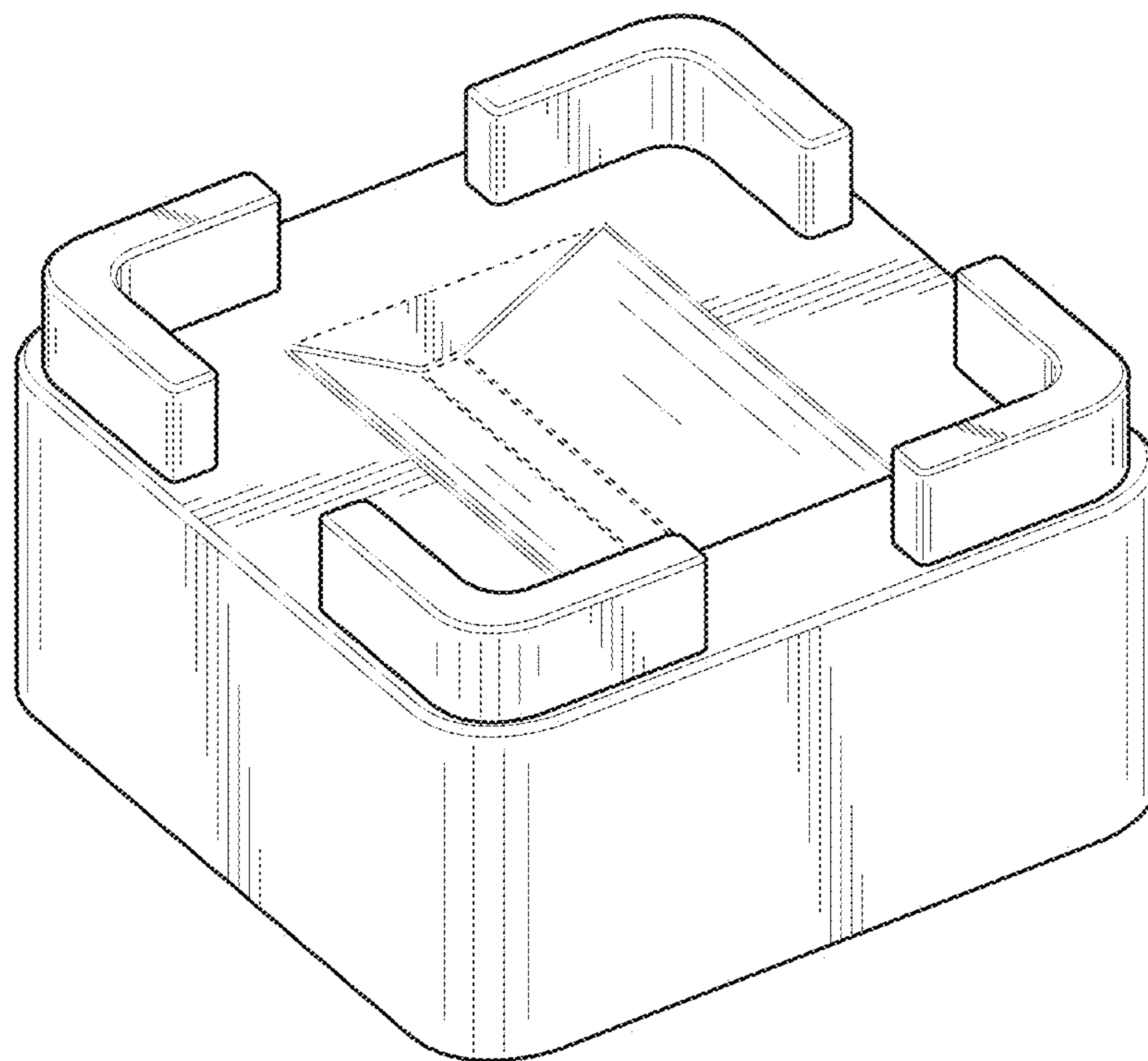


FIG. 1

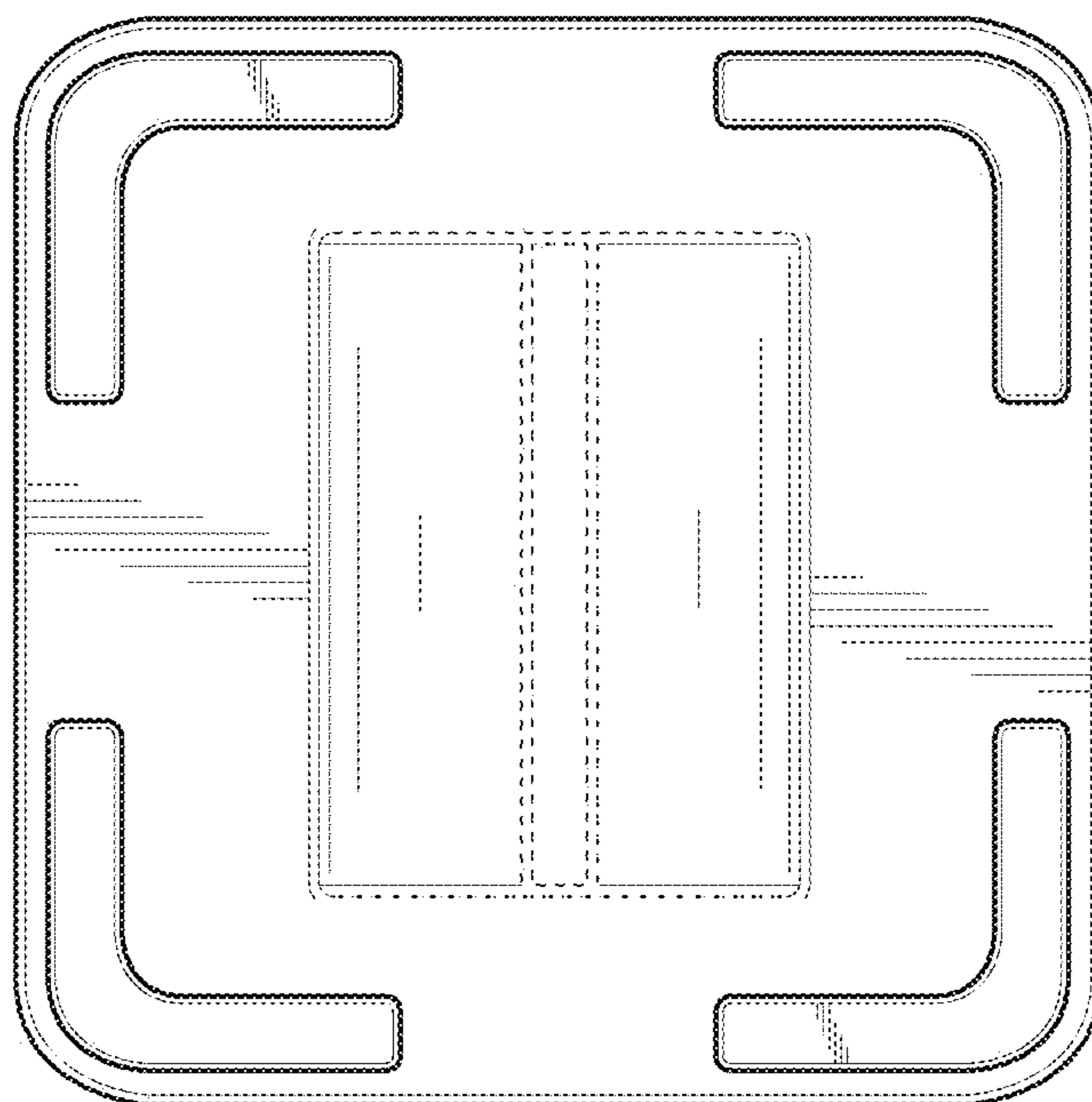


FIG. 2

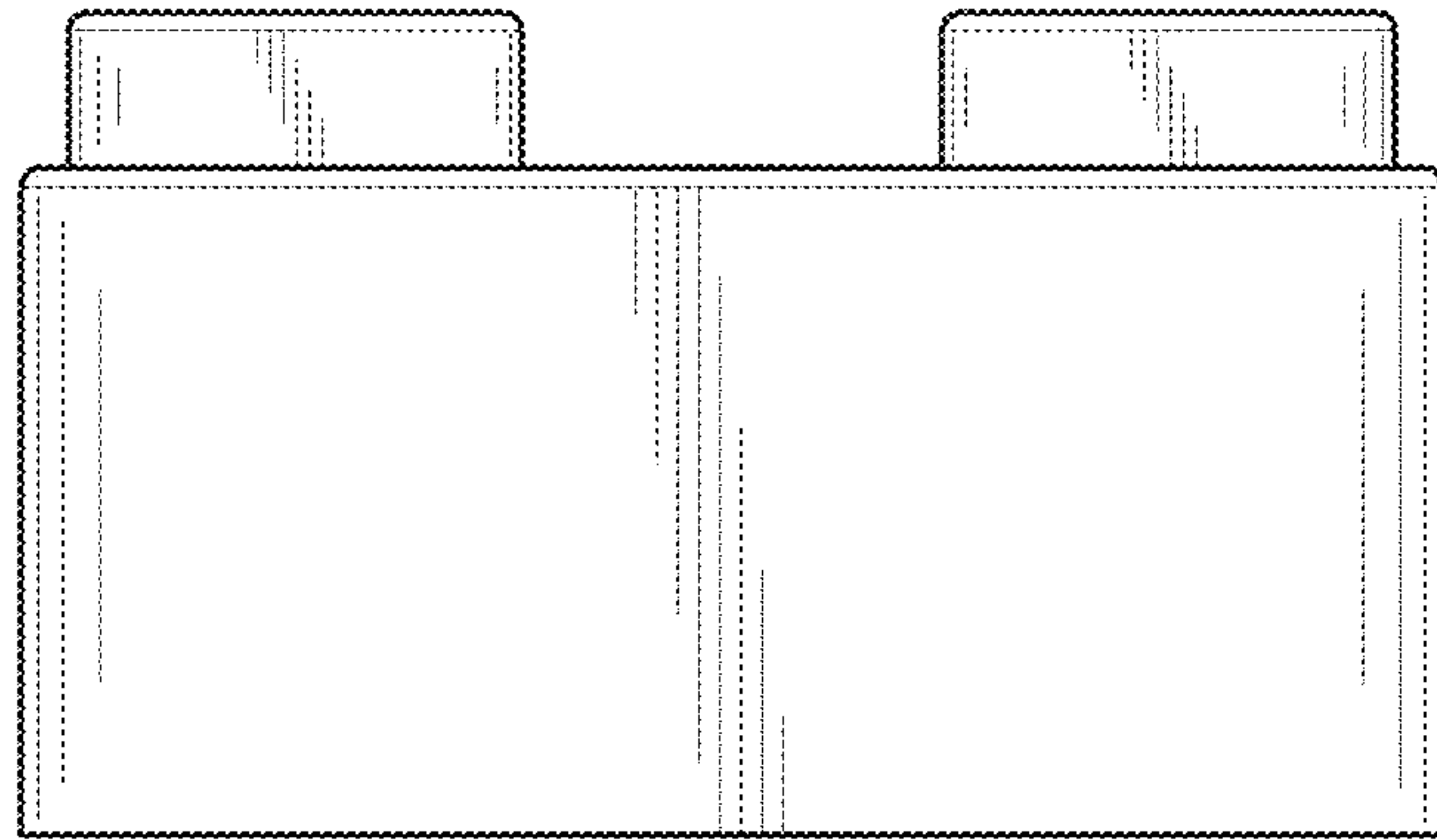


FIG. 3

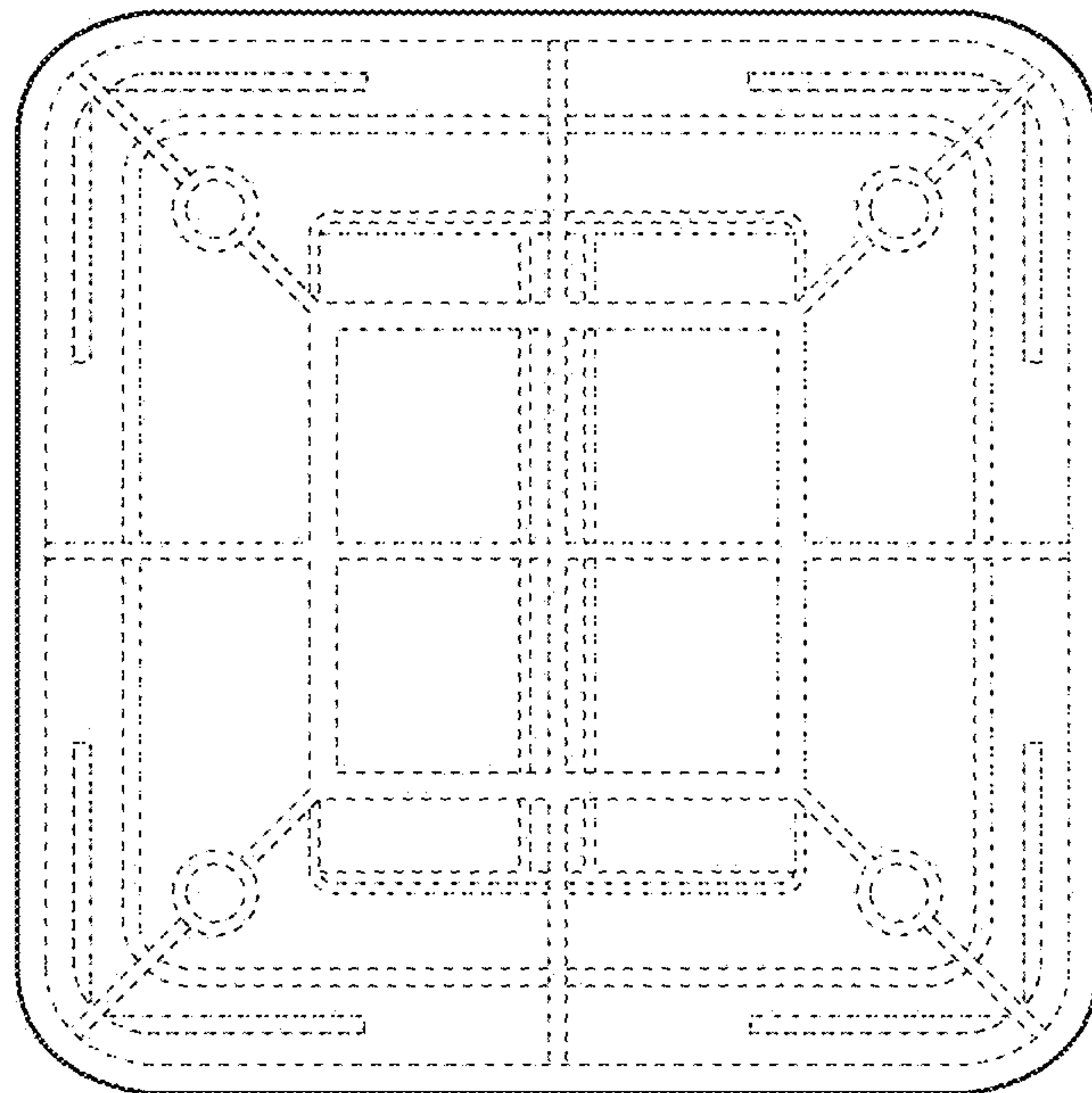


FIG. 4