



US00D949671S

(12) **United States Design Patent**  
**French**

(10) **Patent No.:** **US D949,671 S**

(45) **Date of Patent:** **\*\* Apr. 26, 2022**

(54) **ROTATOR WALL HANGER ASSEMBLY**

(71) Applicant: **Stephen M. French**, Stuart, FL (US)

(72) Inventor: **Stephen M. French**, Stuart, FL (US)

(\*\*) Term: **15 Years**

(21) Appl. No.: **29/649,731**

(22) Filed: **Jun. 1, 2018**

(51) **LOC (13) Cl.** ..... **08-05**

(52) **U.S. Cl.**  
USPC ..... **D8/373**

(58) **Field of Classification Search**  
USPC ..... D8/363, 366, 373, 376, 380, 381  
CPC ..... A47G 1/168  
See application file for complete search history.

(56) **References Cited**

U.S. PATENT DOCUMENTS

|                   |         |           |                         |
|-------------------|---------|-----------|-------------------------|
| D248,644 S *      | 7/1978  | Berg, Jr. | 174/158 F               |
| D309,857 S *      | 8/1990  | Fenton    | D8/367                  |
| D485,745 S *      | 1/2004  | Sung      | D8/373                  |
| D498,136 S *      | 11/2004 | Parker    | D8/323                  |
| D500,664 S *      | 1/2005  | Myers     | D8/343                  |
| D585,268 S *      | 1/2009  | Woolley   | D6/550                  |
| D604,149 S *      | 11/2009 | Mussallem | D8/363                  |
| D705,044 S *      | 5/2014  | Hammac    | D8/380                  |
| D706,610 S *      | 6/2014  | Sakuma    | D8/363                  |
| D874,252 S *      | 2/2020  | Eremita   | D8/394                  |
| D875,720 S *      | 2/2020  | Russo     | D14/225                 |
| 2005/0156094 A1 * | 7/2005  | Mussallem | A47G 1/168<br>248/475.1 |

\* cited by examiner

*Primary Examiner* — Eliza Z Bennett-Hattan

(74) *Attorney, Agent, or Firm* — McHale & Slavin, P.A.

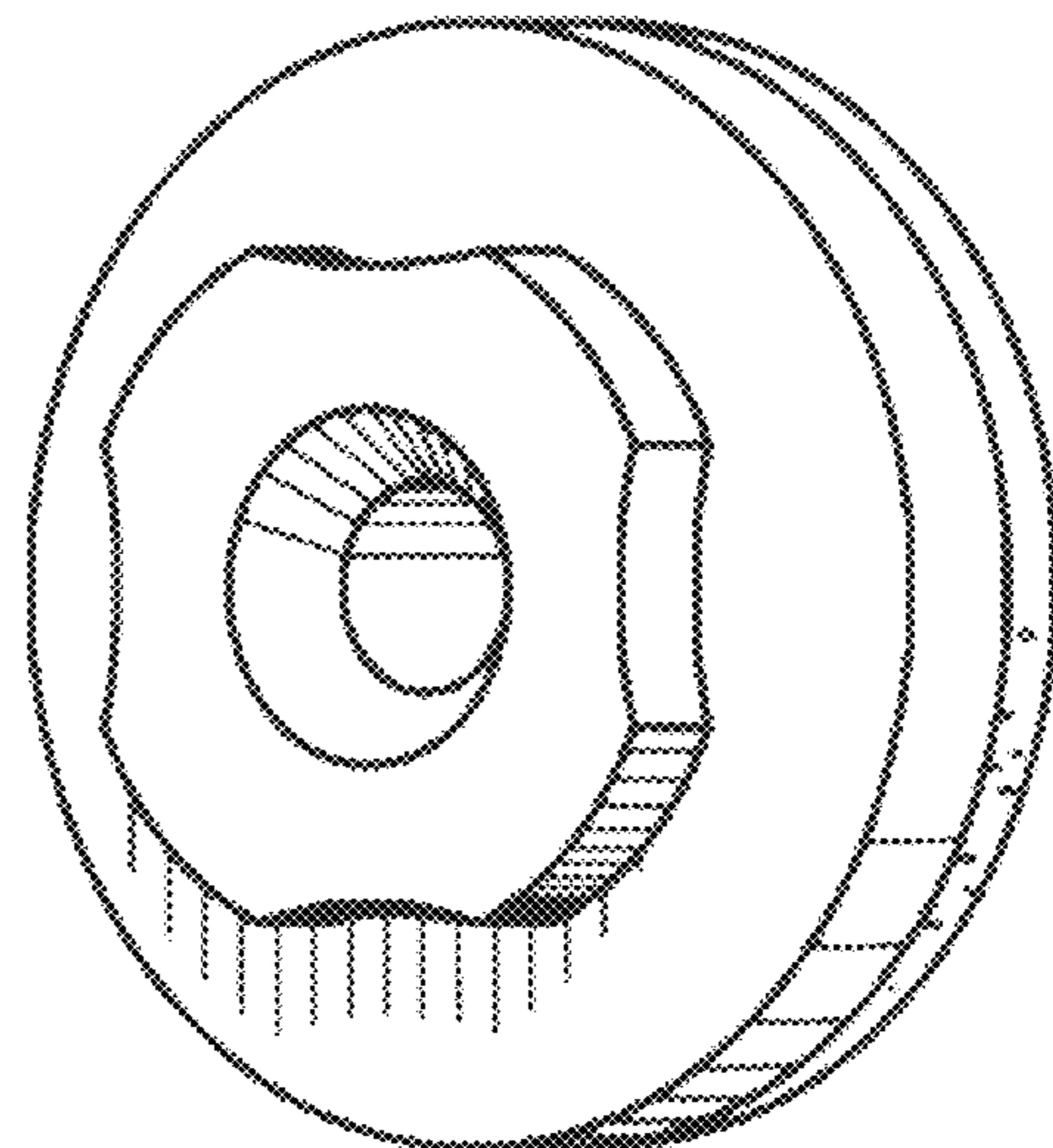
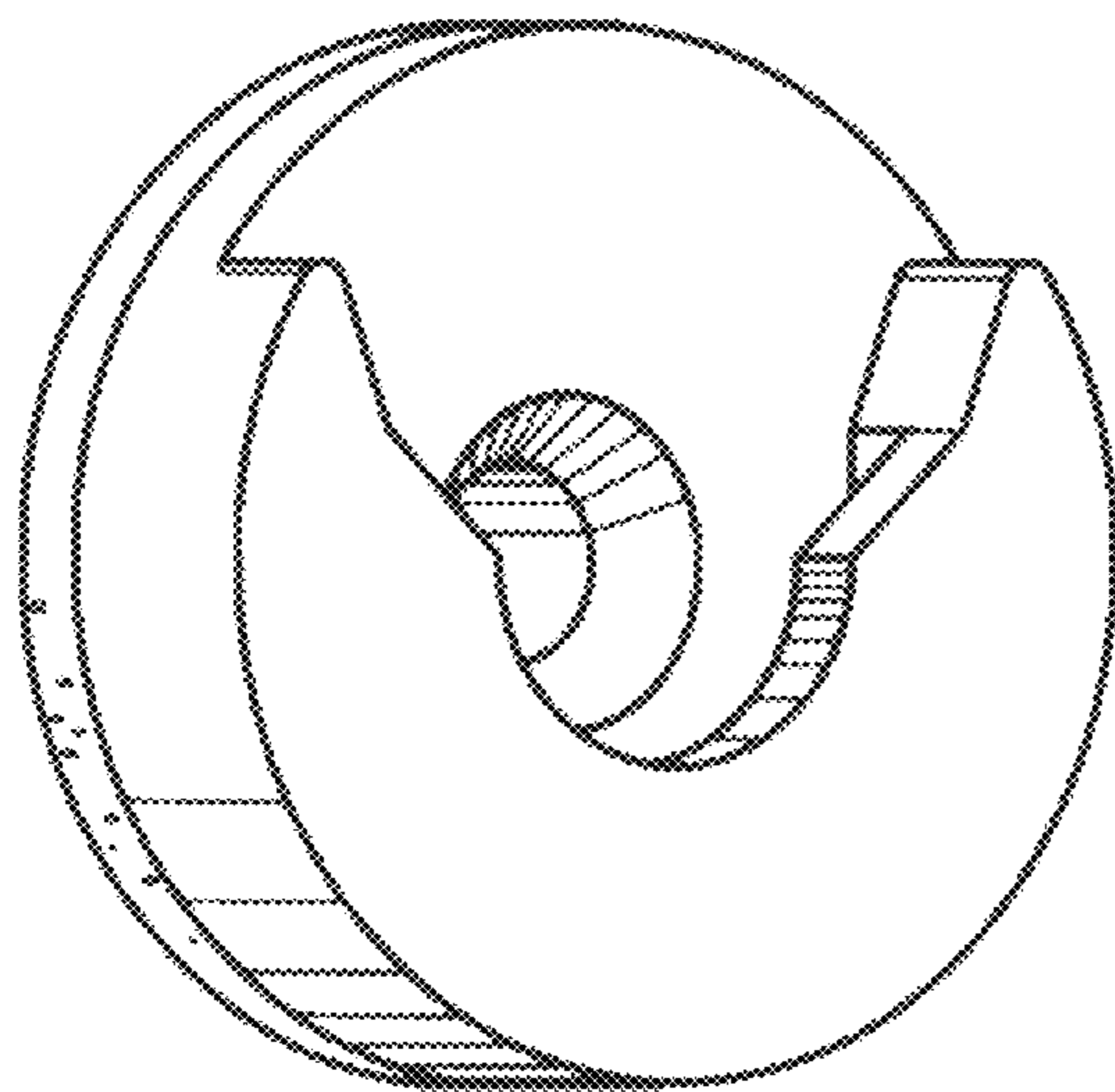
(57) **CLAIM**

The ornamental design for rotator wall hanger assembly, as shown and described.

**DESCRIPTION**

FIG. 1 is an exploded perspective view of the rotator wall hanger assembly of the instant invention;  
 FIG. 2 is a front elevation view of the first mated component shown in FIG. 1;  
 FIG. 3 is a rear elevation view of the first mated component shown in FIG. 1;  
 FIG. 4 is a front elevation view of the second mated component shown in FIG. 1;  
 FIG. 5 is a rear elevation view of the second mated component shown in FIG. 1;  
 FIG. 6 is a top elevation view of the first mated component shown in FIG. 1;  
 FIG. 7 is a bottom elevation view of the first mated component shown in FIG. 1;  
 FIG. 8 is a top elevation view of the second mated component shown in FIG. 1;  
 FIG. 9 is a bottom elevation view of the second mated component shown in FIG. 1;  
 FIG. 10 is a right side elevation view of the first mated component shown in FIG. 1;  
 FIG. 11 is a left side elevation view of the first mated component shown in FIG. 1;  
 FIG. 12 is a right side elevation view of the second mated component shown in FIG. 1; and,  
 FIG. 13 is a left side elevation view of the second mated component shown in FIG. 1.

**1 Claim, 4 Drawing Sheets**



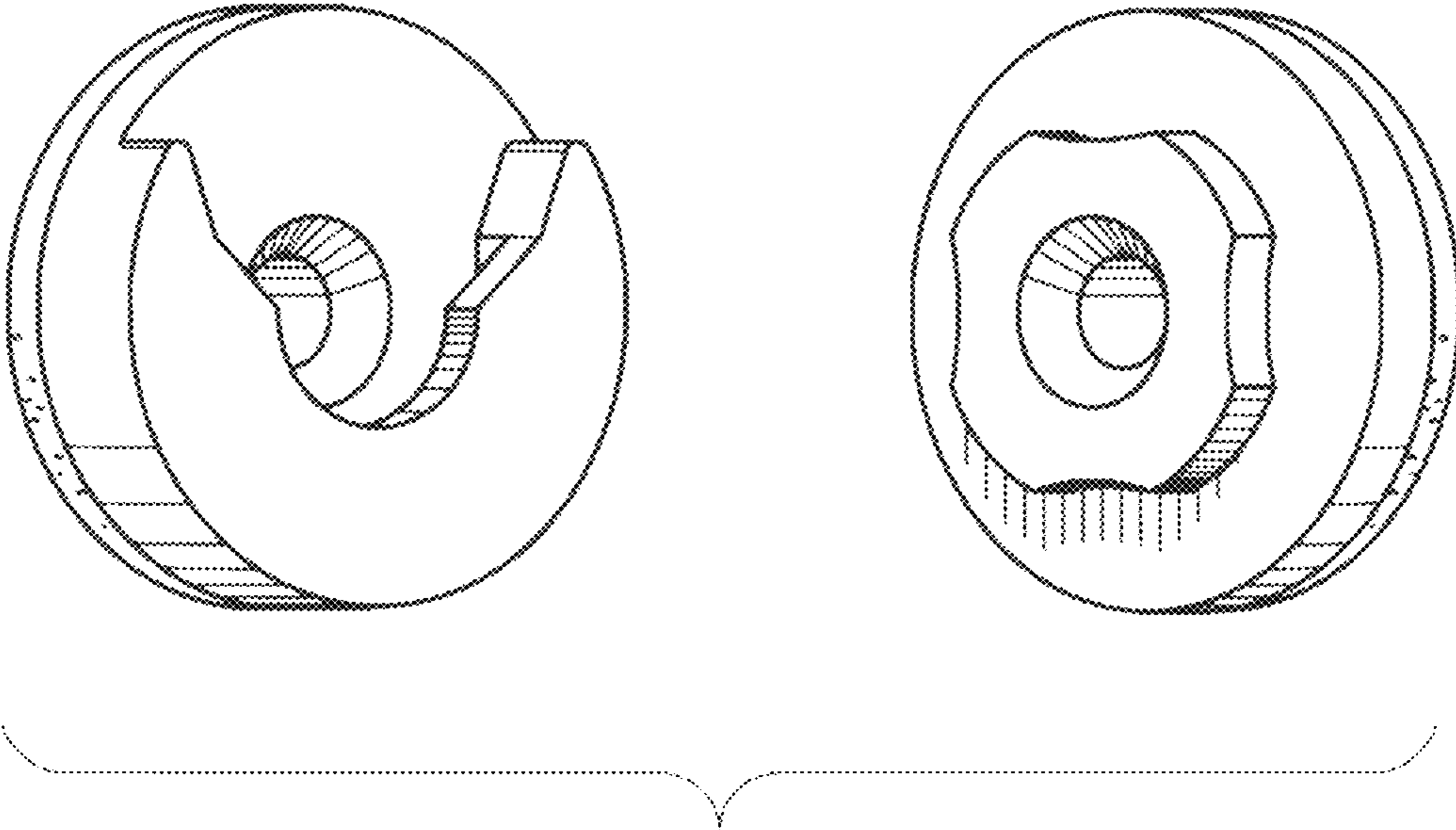


FIG. 1

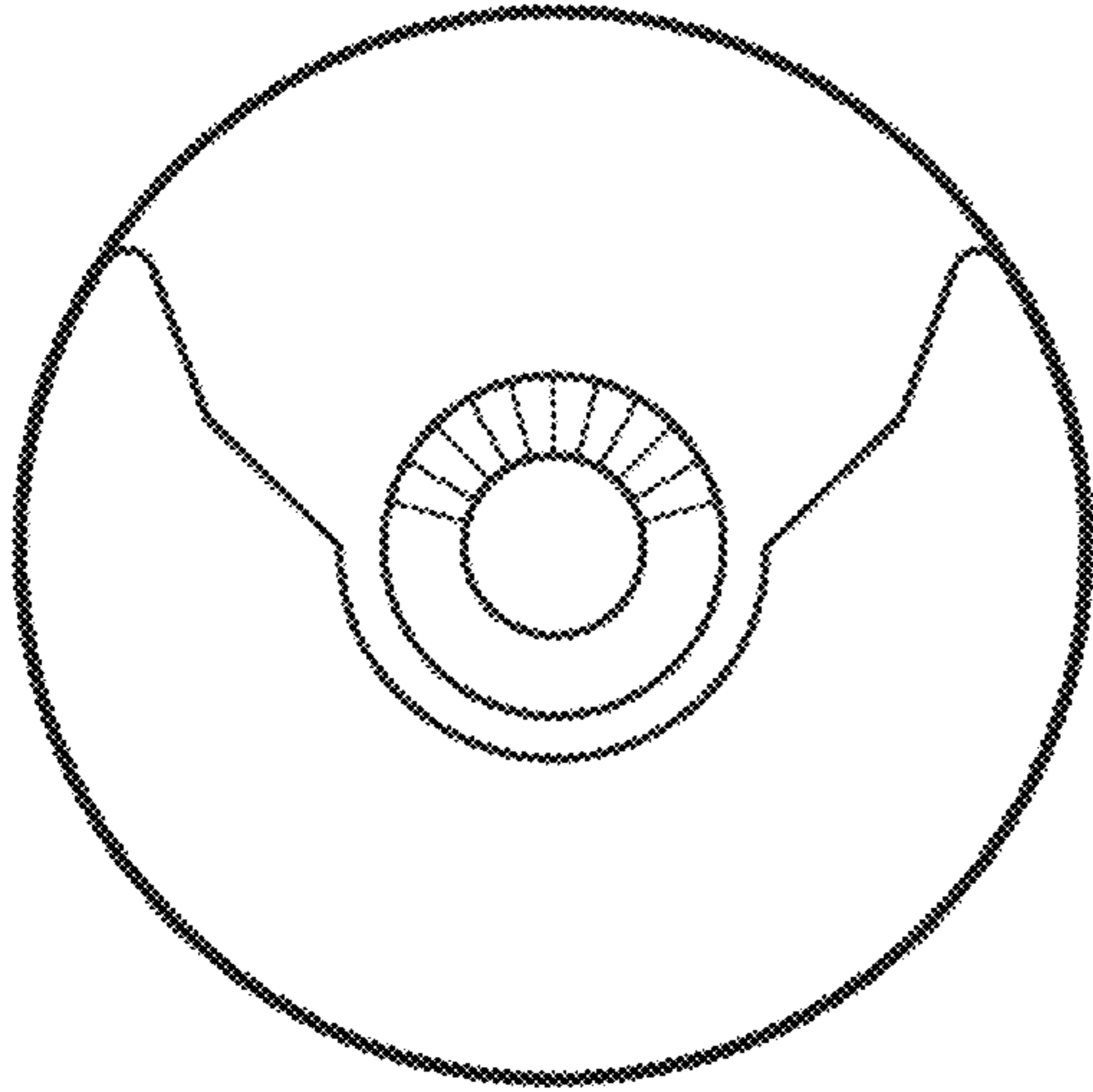


FIG. 2

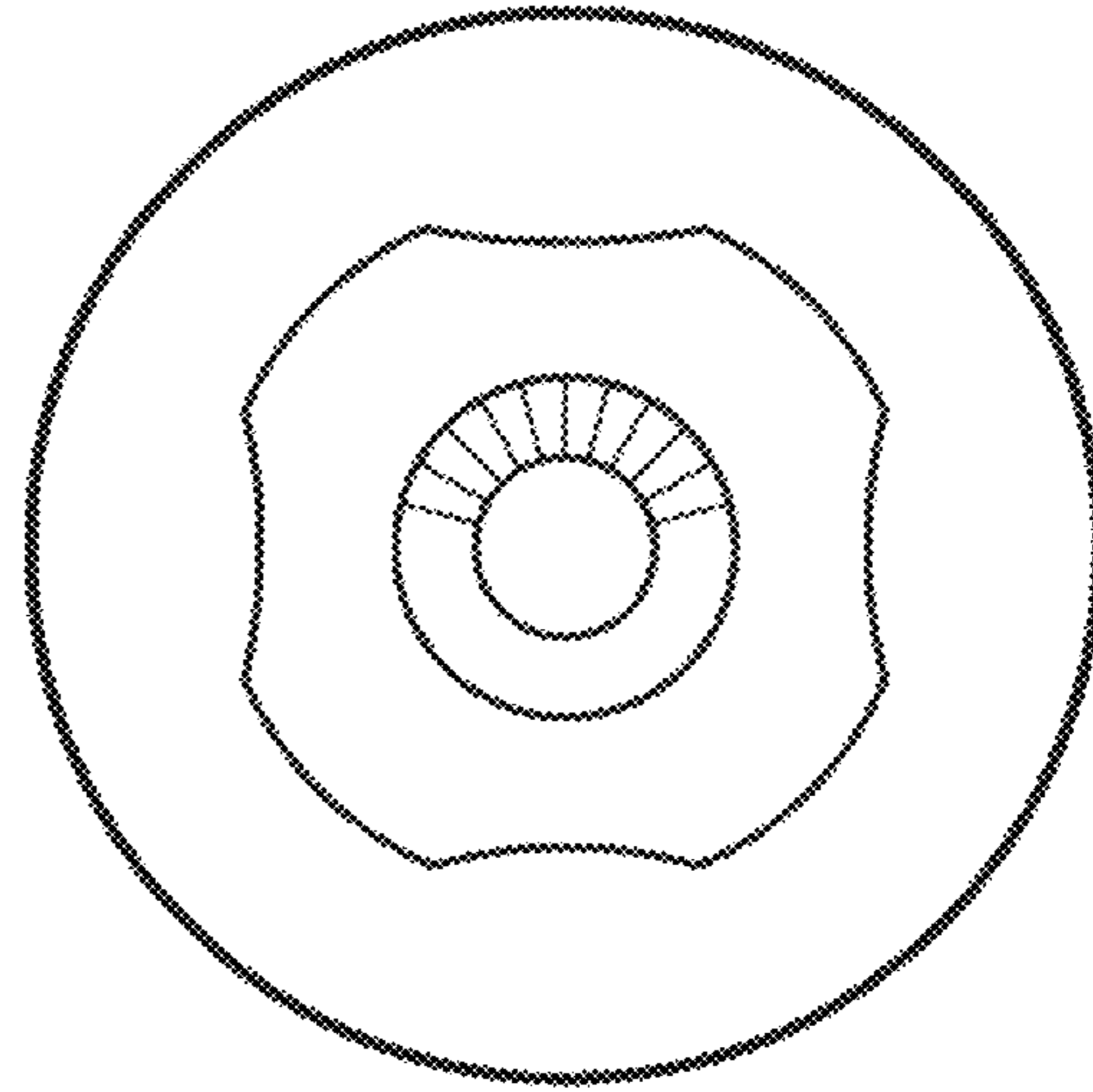


FIG. 4

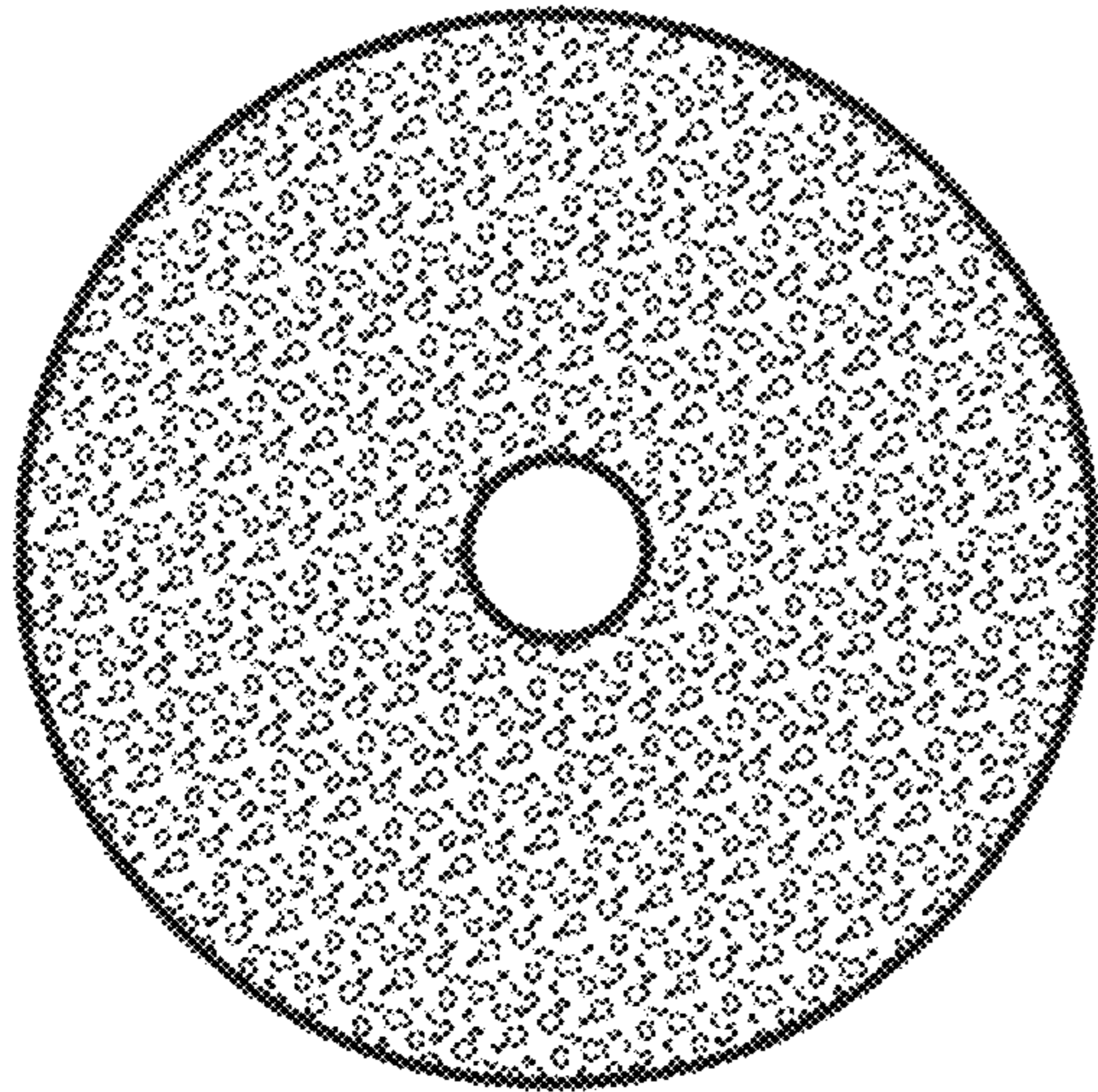


FIG. 3

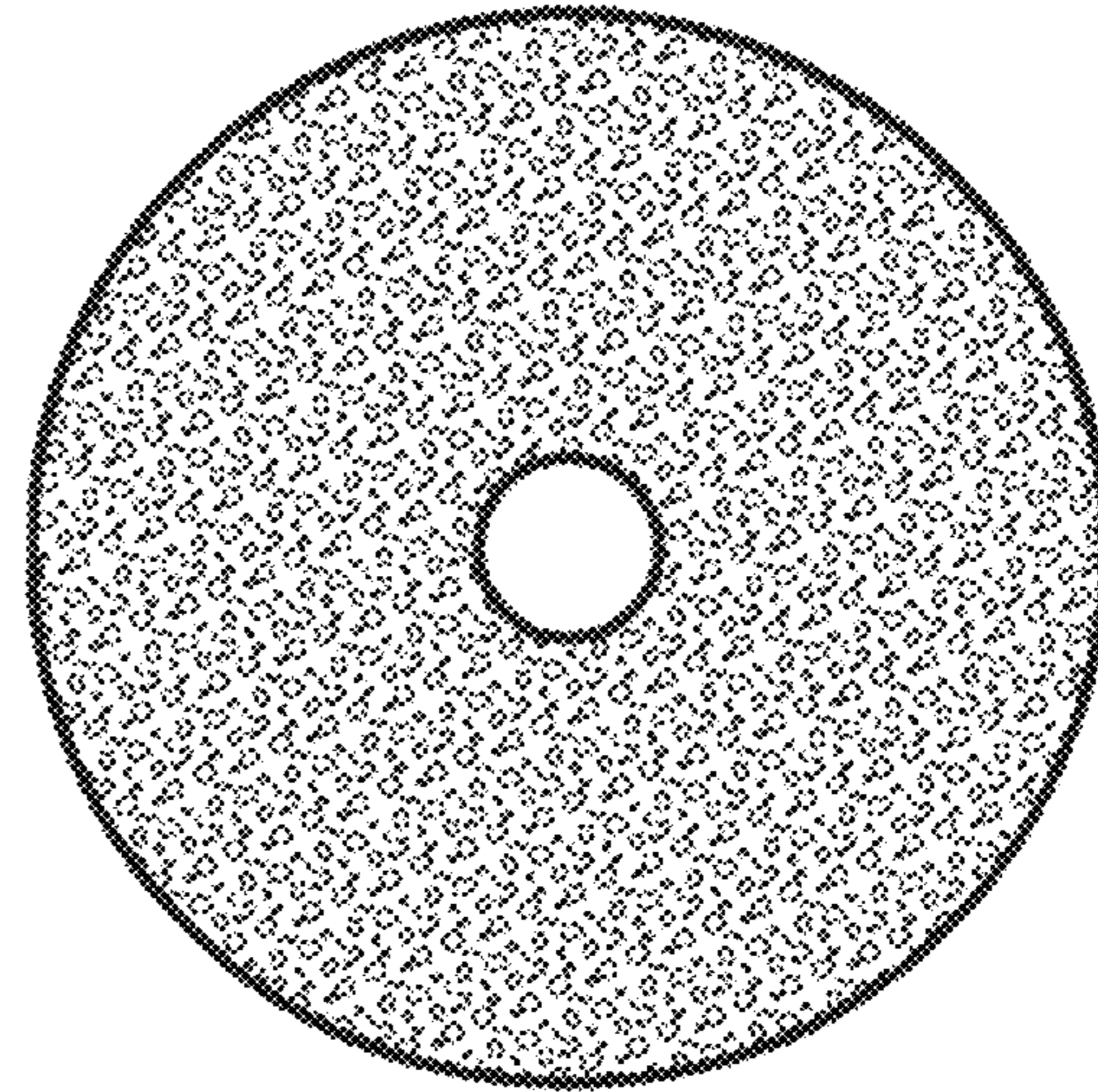


FIG. 5

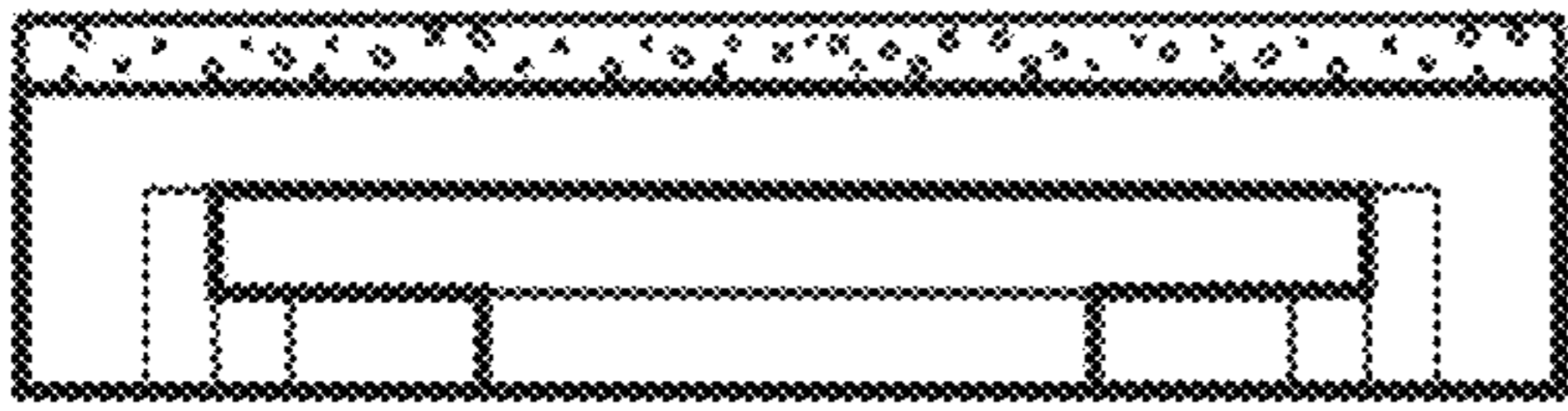


FIG. 6

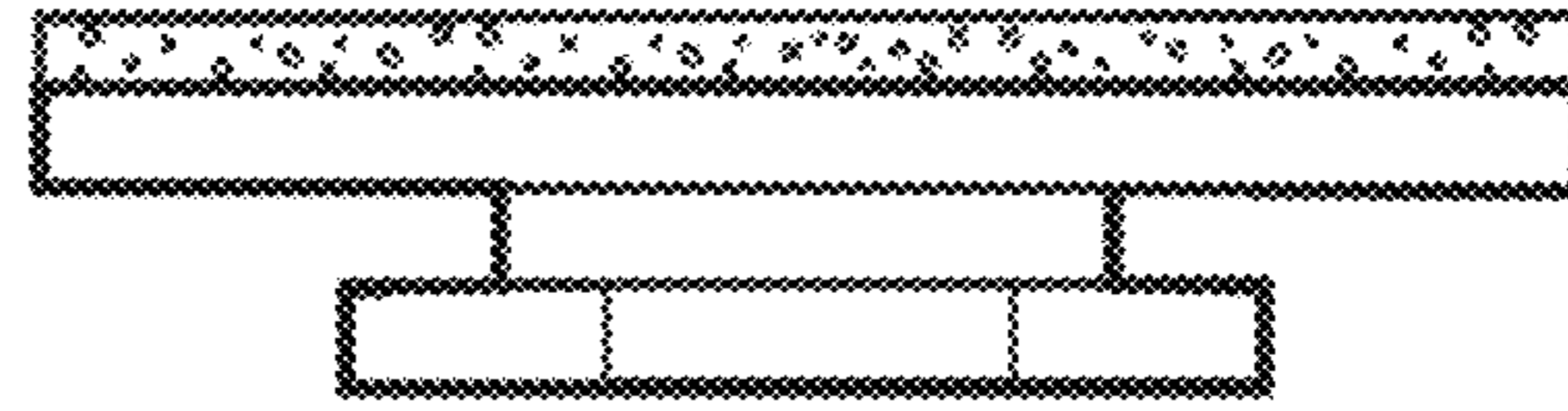


FIG. 8

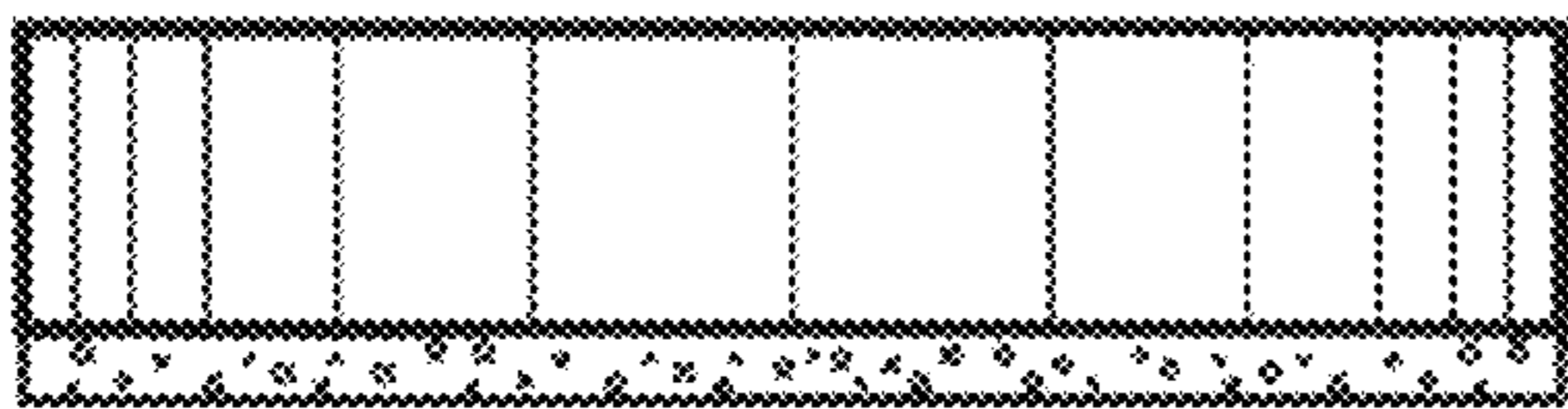


FIG. 7

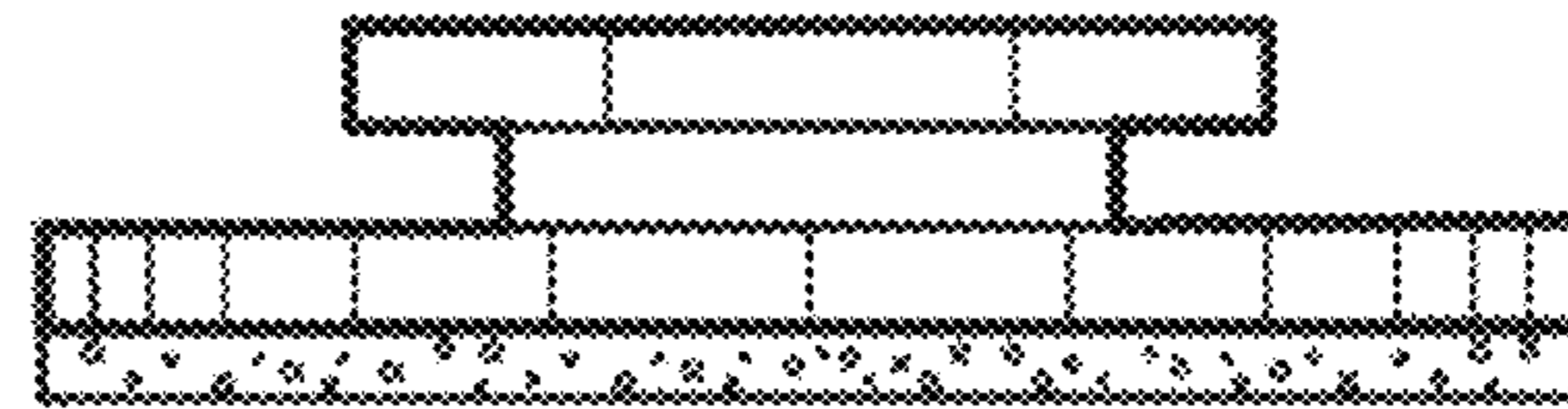


FIG. 9

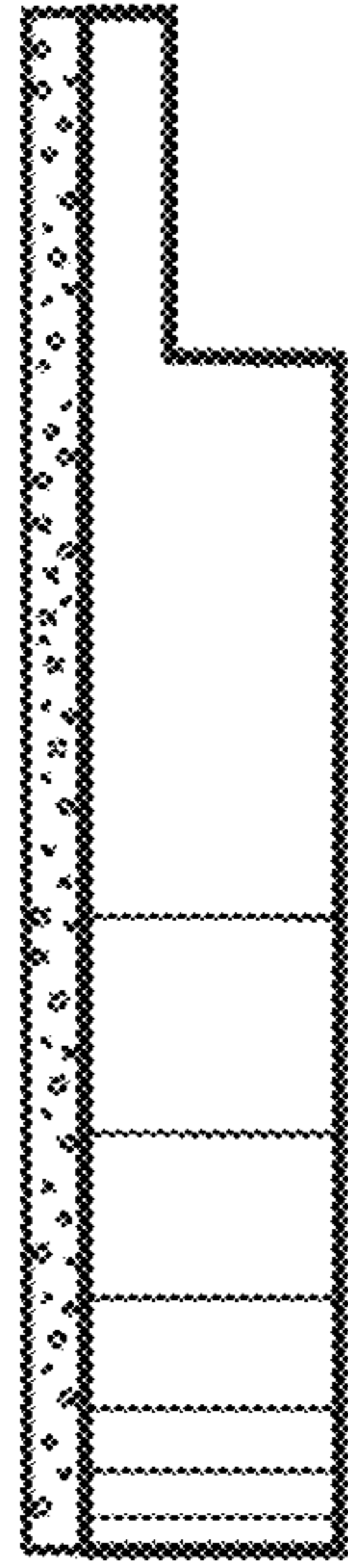


FIG. 10

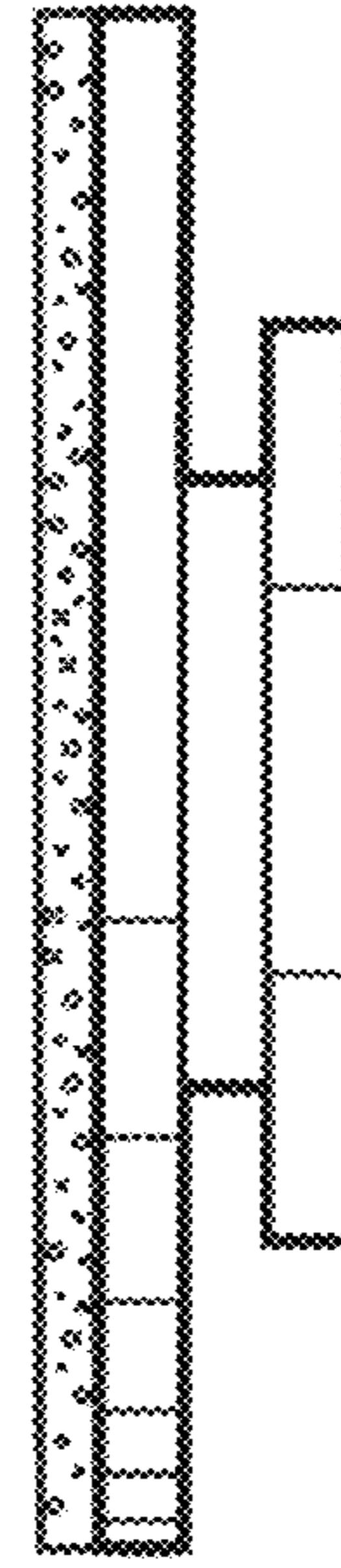


FIG. 12

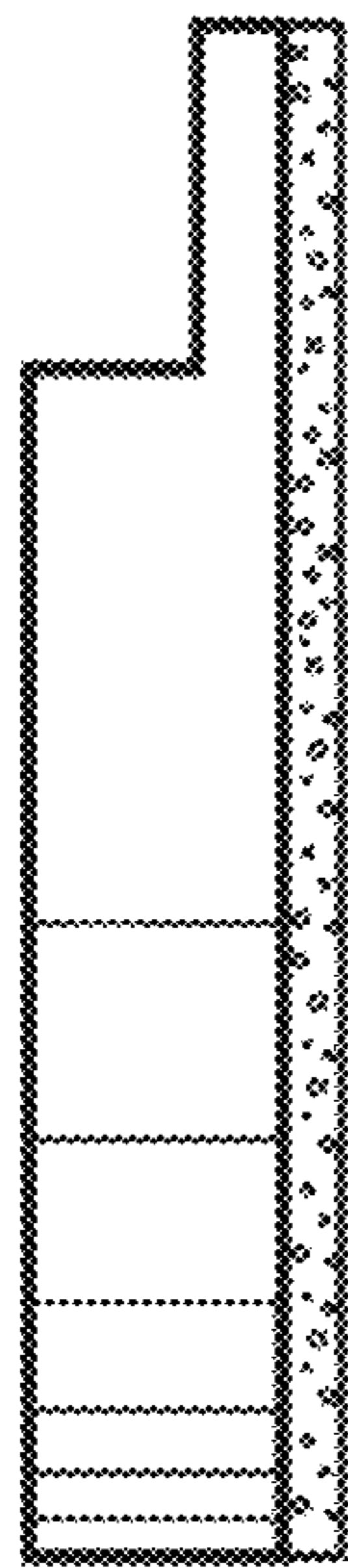


FIG. 11

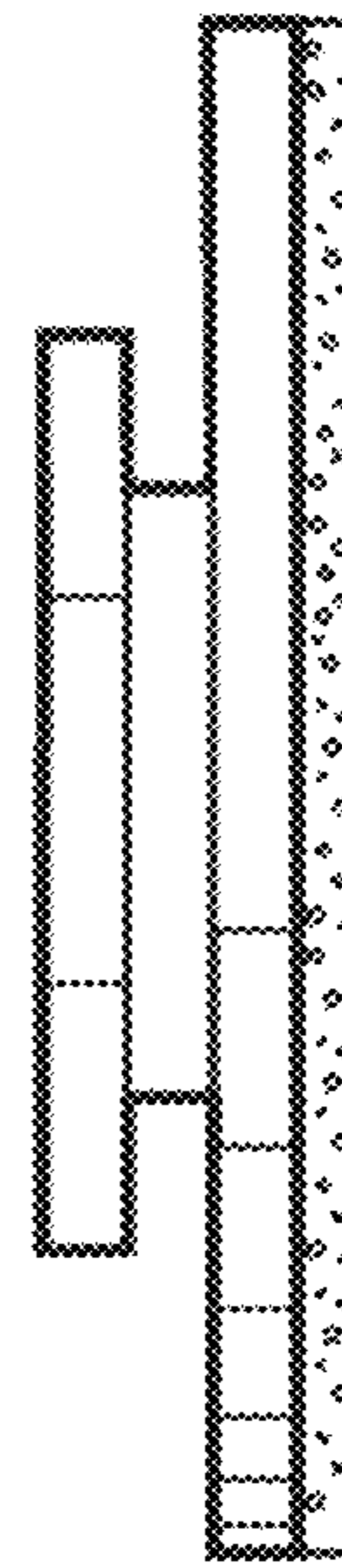


FIG. 13