

US00D949670S

(12) **United States Design Patent** (10) **Patent No.:** **US D949,670 S**
Moller et al. (45) **Date of Patent:** **** Apr. 26, 2022**

(54) **SHOWER DOOR ASSEMBLIES**

- (71) Applicant: **Kohler Co.**, Kohler, WI (US)
- (72) Inventors: **Adam M. Moller**, Sheboygan, WI (US); **Erich D. Slothower**, Mill Vallery, CA (US); **Thomas E. Lilly**, Sheboygn, WI (US)
- (73) Assignee: **KOHLER CO.**, Kohler, WI (US)
- (**) Term: **15 Years**
- (21) Appl. No.: **29/807,873**
- (22) Filed: **Sep. 15, 2021**

Related U.S. Application Data

- (62) Division of application No. 29/692,257, filed on May 23, 2019, now Pat. No. Des. 934,399.
- (51) **LOC (13) Cl.** **08-05**
- (52) **U.S. Cl.**
USPC **D8/360; D8/376**
- (58) **Field of Classification Search**
USPC D23/283, 304–305; D25/48.3, 48.5, 48.8, D25/103; D8/310, 315, 323, 360, 363, D8/376–377
CPC . A47K 3/34; A47K 3/36; A47K 3/362; A47K 3/367; A47K 3/283; A47K 3/284; E06B 3/4681; E06B 3/02; E06B 3/4636
See application file for complete search history.

(56) **References Cited**

U.S. PATENT DOCUMENTS

D251,410 S	3/1979	Pittenger
D321,755 S	11/1991	Poulson et al.
5,642,959 A	7/1997	Greferath
D523,124 S	6/2006	Lebrun et al.
D544,585 S	6/2007	Lebrun et al.
D564,643 S	3/2008	Pipe

(Continued)

OTHER PUBLICATIONS

Foreign Action other than Search Report on IN 323867-001 dated Dec. 30, 2019.

(Continued)

Primary Examiner — Robert A Delehanty
(74) *Attorney, Agent, or Firm* — Foley & Lardner LLP

(57) **CLAIM**

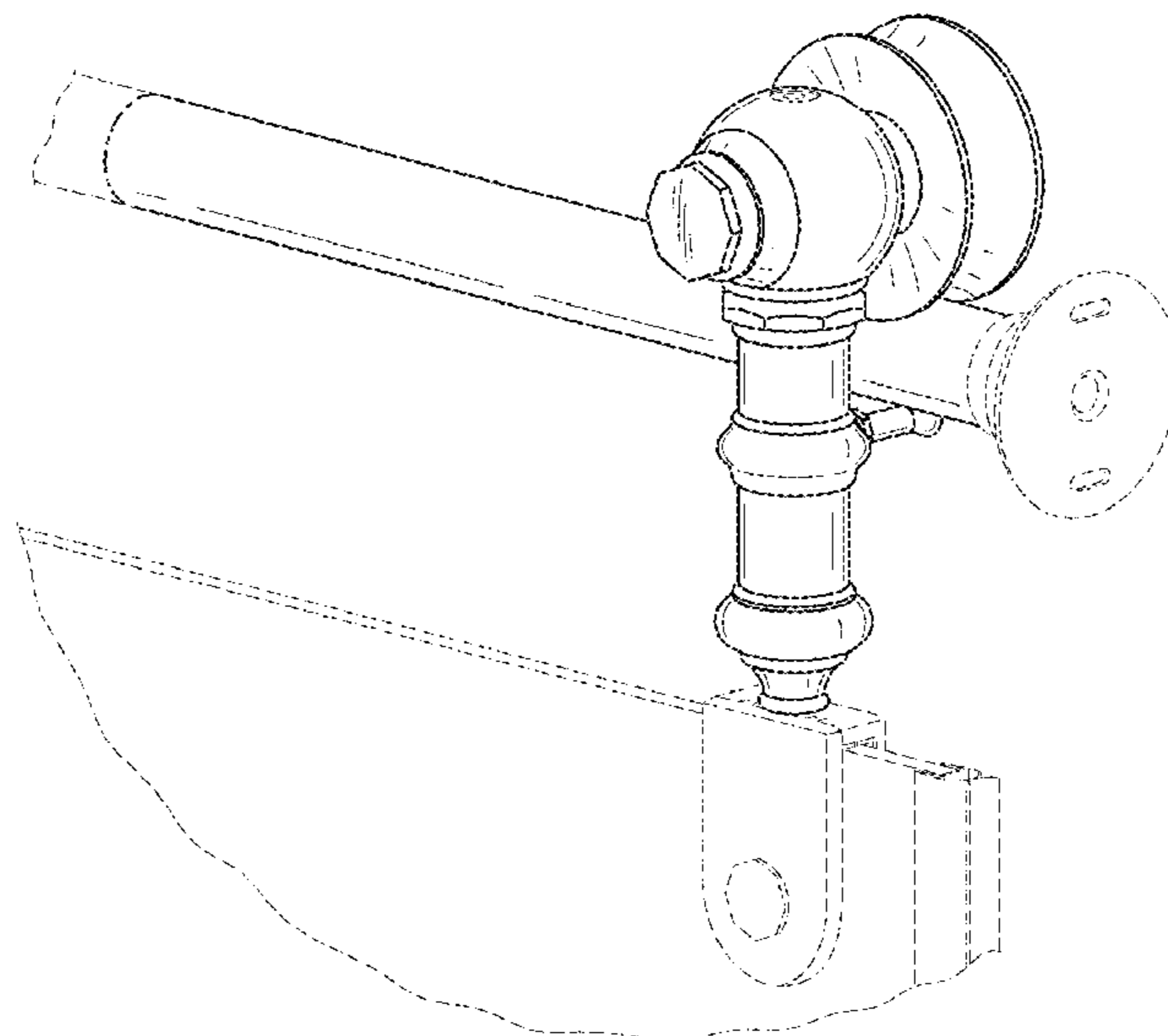
We claim the ornamental design for a shower door assemblies, as shown and described.

DESCRIPTION

FIG. 1 is a perspective view of the claimed design; FIG. 2 is another perspective view of the claimed design of FIG. 1; FIG. 3 is a rear view of the claimed design of FIG. 1; FIG. 4 is a front view of the claimed design of FIG. 1; FIG. 5 is a side view of the claimed design of FIG. 1; FIG. 6 is another side view of the claimed design of FIG. 1; FIG. 7 is a top view of the claimed design of FIG. 1; FIG. 8 is a bottom view of the claimed design of FIG. 1; and, FIG. 9 is a detail view of the claimed design of FIG. 1.

The ornamental design that is claimed is shown in the drawings as solid lines and surfaces having surface shading. The broken lines in the drawings are for illustrative purposes only and form no part of the claimed design. For example, broken lines formed by equal length dashes show unclaimed portions of the design. Broken lines formed of unequal length dashes (i.e., dash-dot) show boundaries between either claimed and unclaimed portions of the design or between unclaimed and unclaimed portions of the design. The broken away symbols in the drawings indicate that any portion of the article beyond what is shown forms no part of the claimed design.

1 Claim, 7 Drawing Sheets



(56)

References Cited

U.S. PATENT DOCUMENTS

D565,385 S 4/2008 Jou
1,664,543 A1 4/2008 Easterman
D568,973 S 5/2008 Pipe
D600,056 S 9/2009 Careaga
D603,490 S 11/2009 Stanchak
D606,636 S 12/2009 Stanchak
D792,188 S 7/2017 Zimmer
D803,569 S 11/2017 Fusi
D816,816 S 5/2018 Shtraks et al.
10,036,190 B2 7/2018 Minkovich et al.
D826,684 S 8/2018 Tseng
D834,924 S * 12/2018 Mei D8/360
10,455,989 B2 10/2019 Wei
2004/0003459 A1 1/2004 Ferreri et al.
2017/0311763 A1 11/2017 Morin et al.
2018/0344098 A1 12/2018 Lieb et al.
2019/0038084 A1 2/2019 Abrams et al.
2019/0254486 A1 8/2019 Mironchuk et al.
2021/0062562 A1 * 3/2021 Kao E06B 3/4681

OTHER PUBLICATIONS

Foreign Action other than Search Report on IN 323870-001 dated Jan. 2, 2020.

Foreign Action other than Search Report on IN 323871-001 dated Dec. 30, 2019.

* cited by examiner

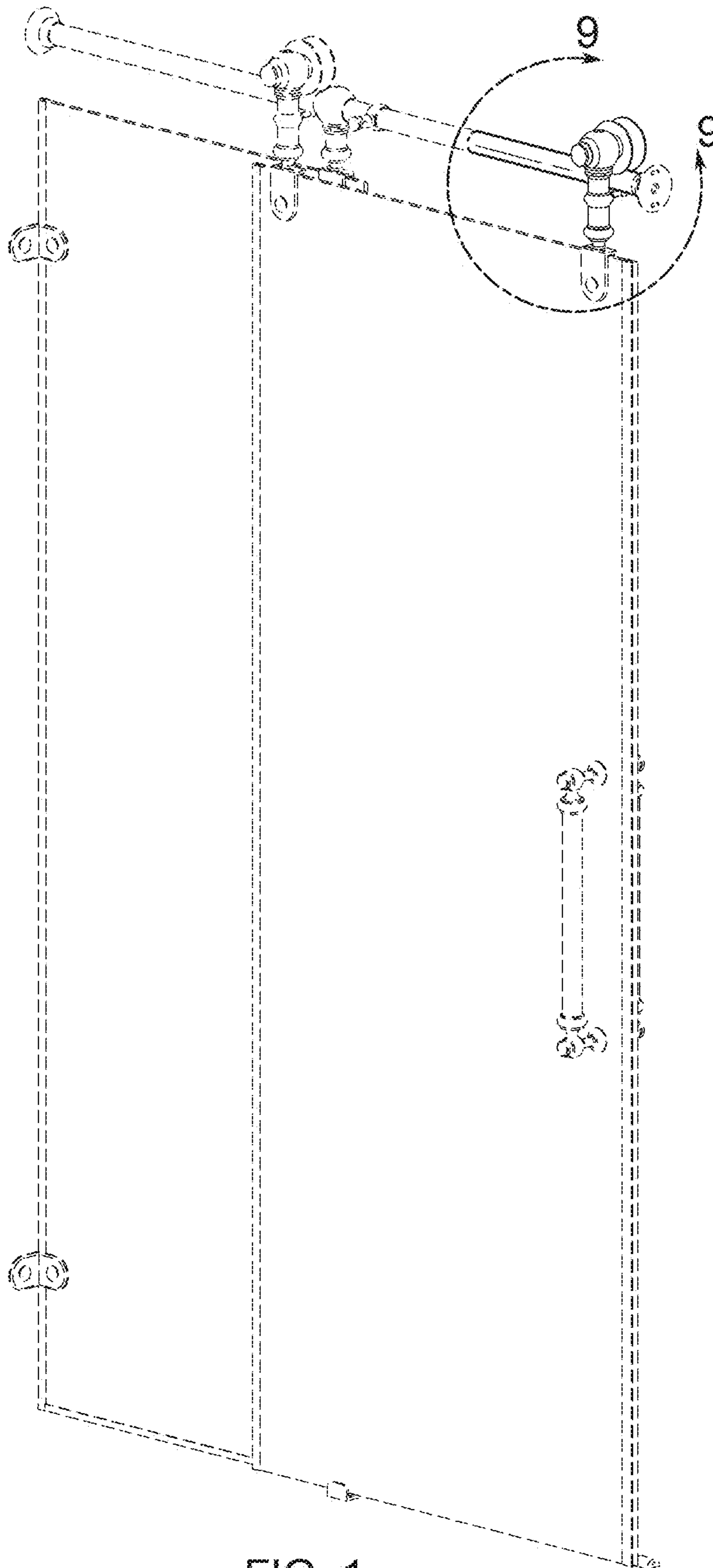


FIG. 1

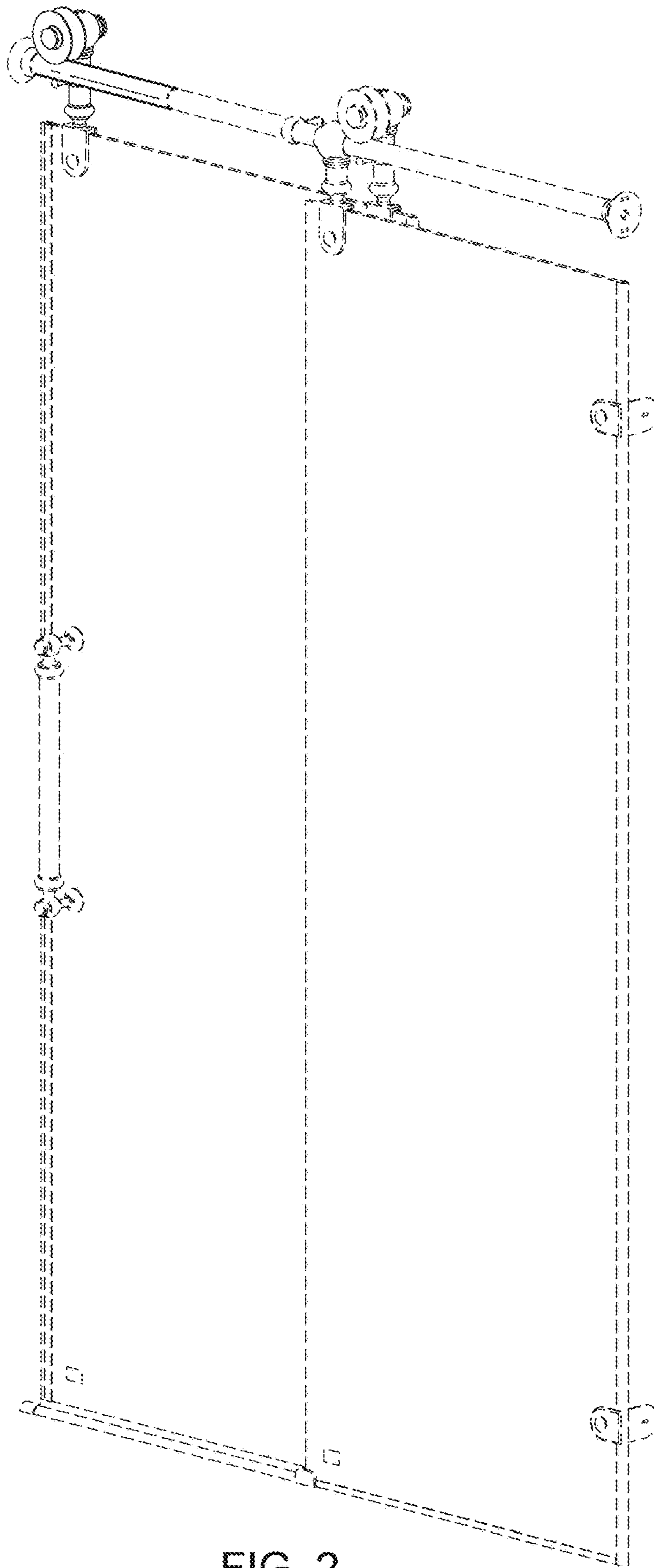


FIG. 2

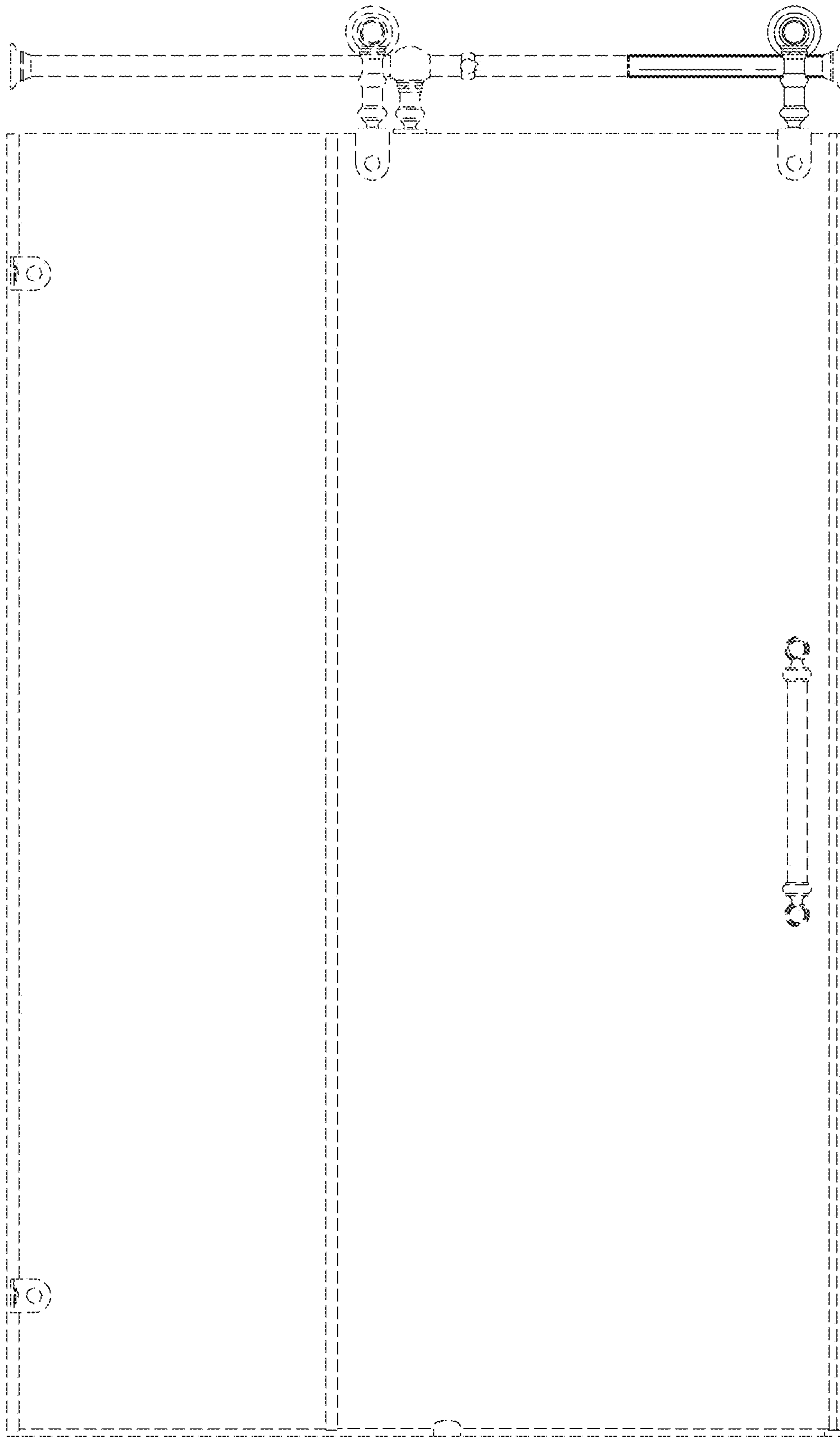


FIG. 3

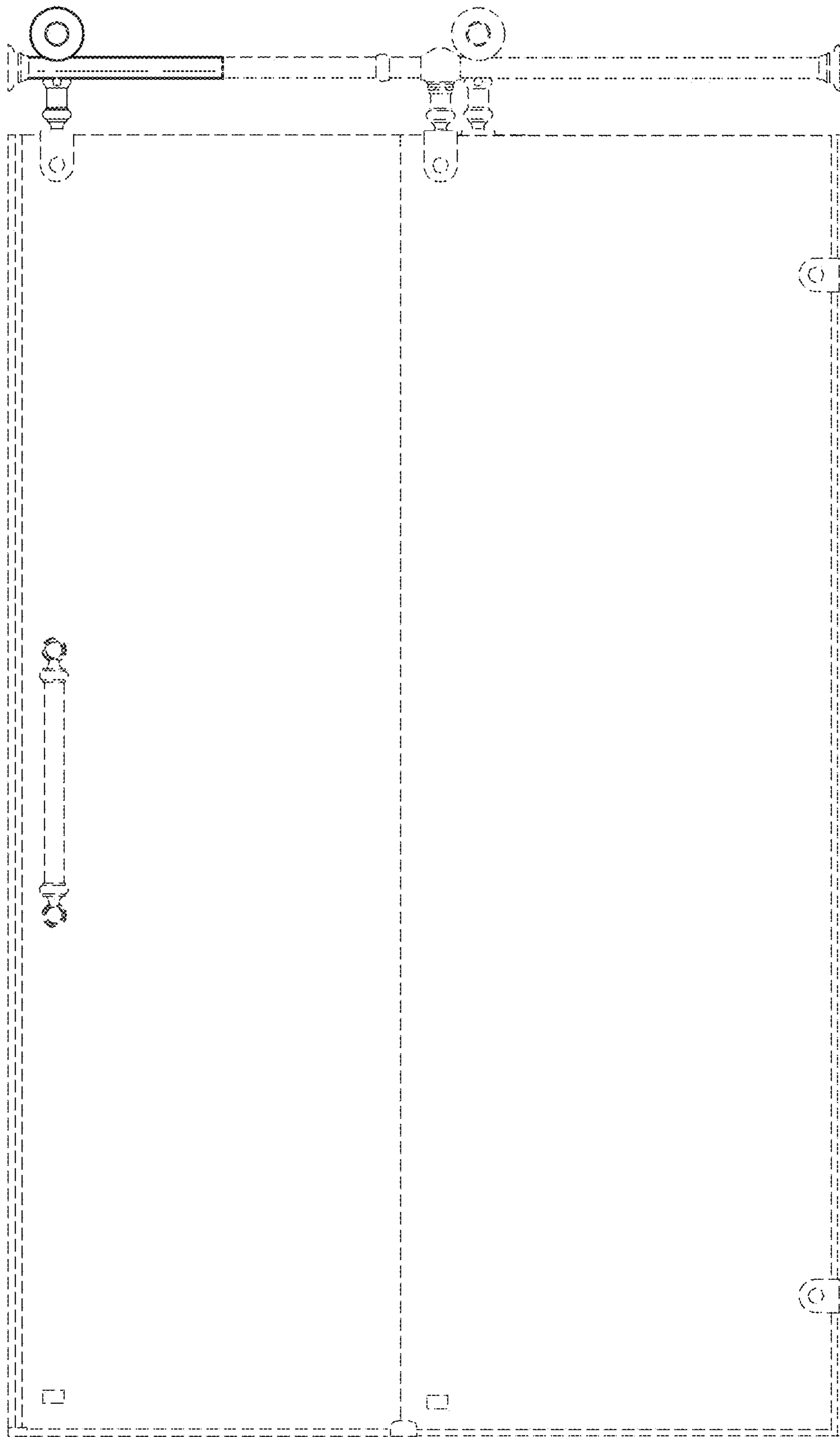


FIG. 4

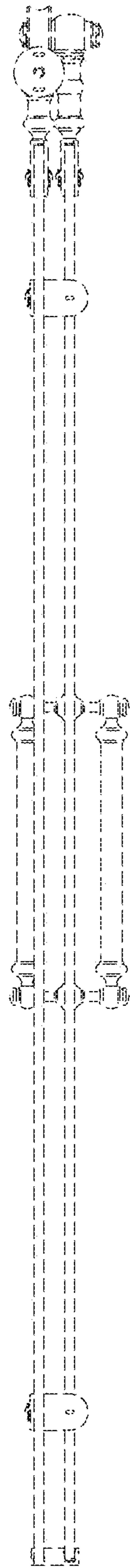


FIG. 5

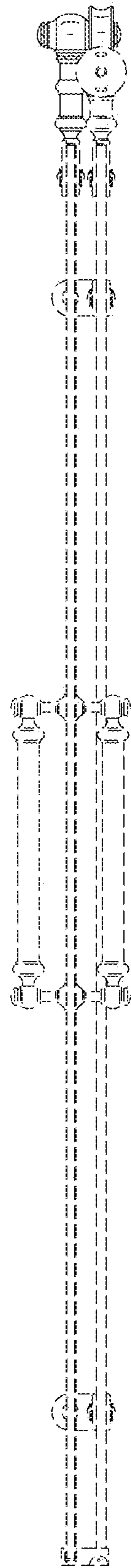


FIG. 6

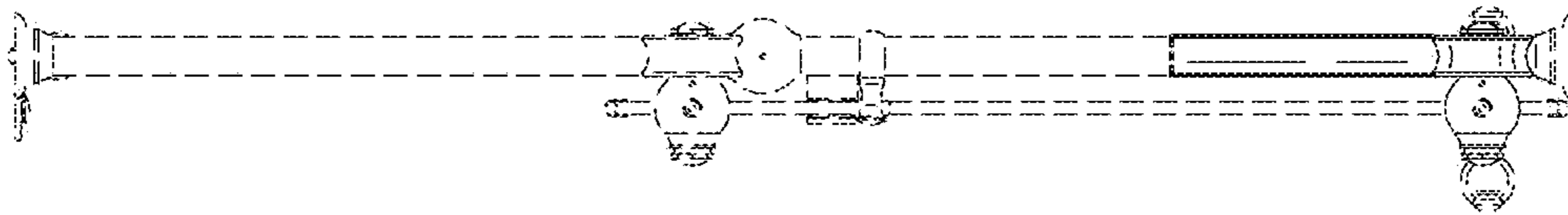


FIG. 7

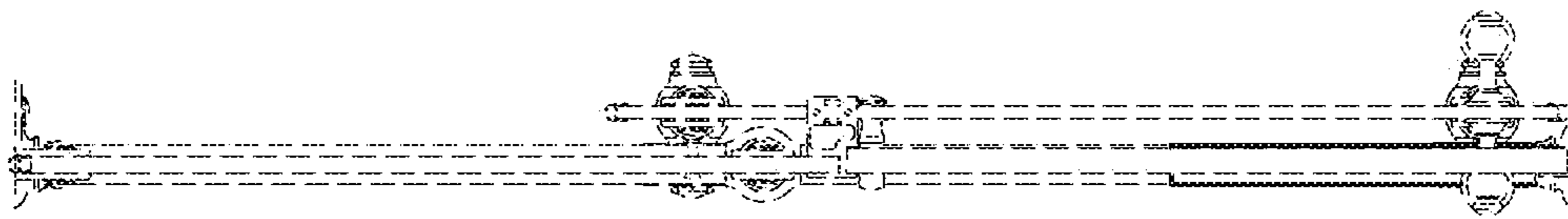


FIG. 8

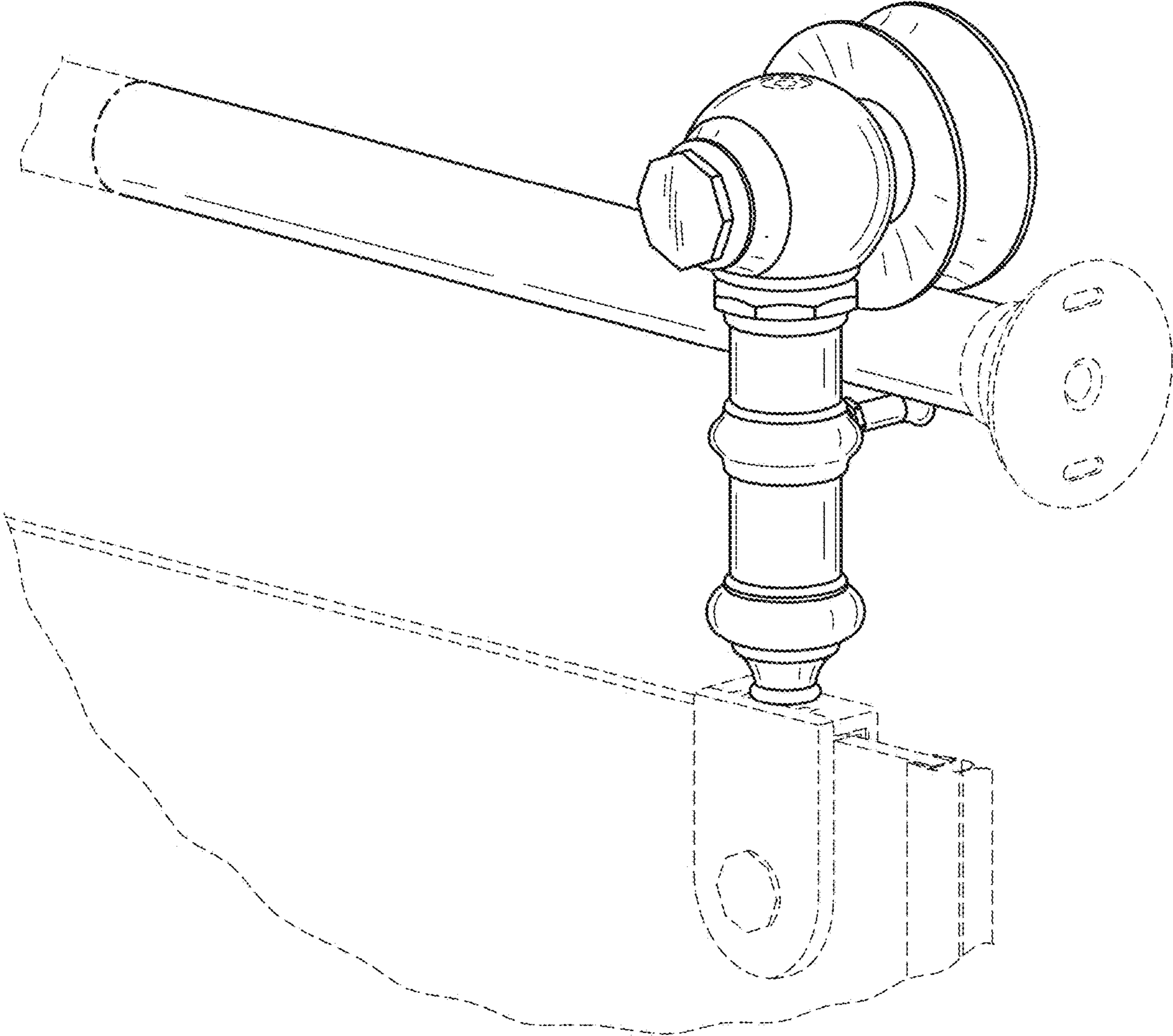


FIG. 9