



US00D949669S

(12) **United States Design Patent** (10) **Patent No.:** **US D949,669 S**
Uffner et al. (45) **Date of Patent:** **** Apr. 26, 2022**

(54) **HOSE HANGER FRONT PLATE**
(71) Applicant: **Suncast Technologies, LLC**, Palm Beach Gardens, FL (US)
(72) Inventors: **Michael Uffner**, Naperville, IL (US); **Torrence Anderson**, Overland Park, KS (US); **Stephen Whitehead**, Elgin, IL (US)
(73) Assignee: **Suncast Technologies, LLC**, Palm Beach Gardens, FL (US)
(**) Term: **15 Years**
(21) Appl. No.: **29/731,470**
(22) Filed: **Apr. 15, 2020**
(51) **LOC (13) Cl.** **09-06**
(52) **U.S. Cl.**
USPC **D8/356**
(58) **Field of Classification Search**
USPC D6/678.4; D8/356, 354, 349, 358, 373, D8/379, 359; 248/68.1, 89; 137/355.16; 242/400.1; 211/60.1
CPC B65G 7/12; A62C 33/04; B65H 75/366
See application file for complete search history.

D475,608 S * 6/2003 Lin D8/359
D475,609 S * 6/2003 Lin D8/359
D582,755 S * 12/2008 Rogers D8/358
D636,253 S * 4/2011 Hatcher D8/356
D714,127 S * 9/2014 Zavala D8/356
D741,149 S * 10/2015 Koop D8/356
D787,919 S * 5/2017 Knight D8/358
D821,598 S * 6/2018 Greenhouse D24/212
D822,460 S * 7/2018 Knight D8/359
D854,402 S * 7/2019 Thuma D8/359
D903,473 S * 12/2020 Peng D8/356
D903,474 S * 12/2020 Peng D8/356
2014/0367533 A1 * 12/2014 Harris B65H 75/366
248/89
2021/0284482 A1 * 9/2021 Cockerell B65H 75/08

* cited by examiner

Primary Examiner — Cynthia R Underwood
(74) *Attorney, Agent, or Firm* — McHale & Slavin, P.A.

(57) **CLAIM**

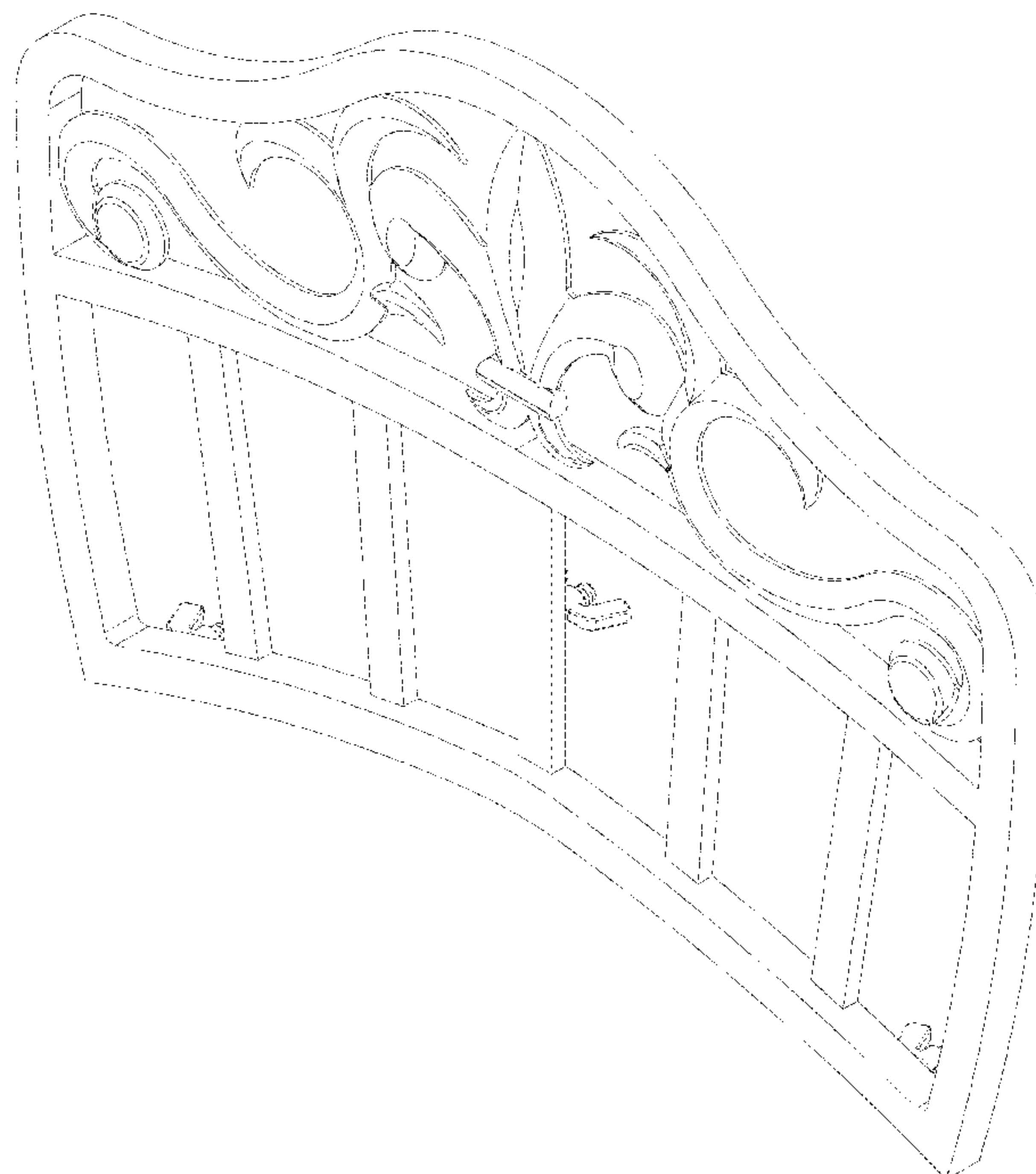
The ornamental design for hose hanger front plate, as shown and described.

DESCRIPTION

FIG. 1 is a top front right perspective view of the hose hanger front plate of the present invention; FIG. 2 is a top rear left view thereof; FIG. 3 is a front view thereof; FIG. 4 is a right side view thereof; FIG. 5 is a left side view thereof; FIG. 6 is a top view thereof; and, FIG. 7 is a bottom view thereof. The portions of the hose hanger front plate illustrated in broken lines are not claimed.

1 Claim, 5 Drawing Sheets

(56) **References Cited**
U.S. PATENT DOCUMENTS
355,924 A * 1/1887 Pavel B65H 75/366
248/89
D224,615 S * 8/1972 Kloefkorn D8/359
5,634,615 A * 6/1997 Shuen B65H 75/366
211/60.1
5,699,987 A * 12/1997 Romaneschi A62C 33/04
137/355.16



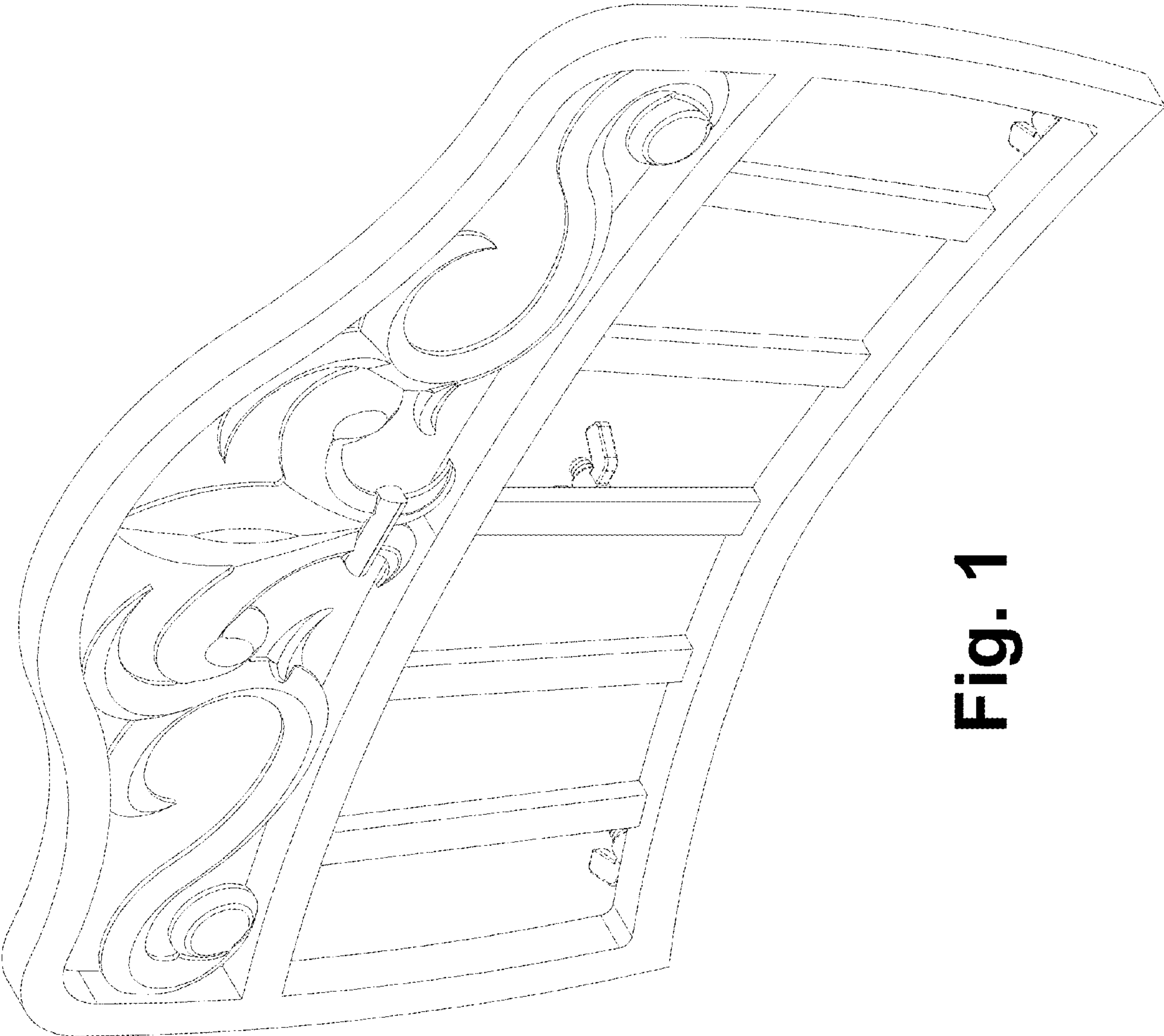


Fig. 1

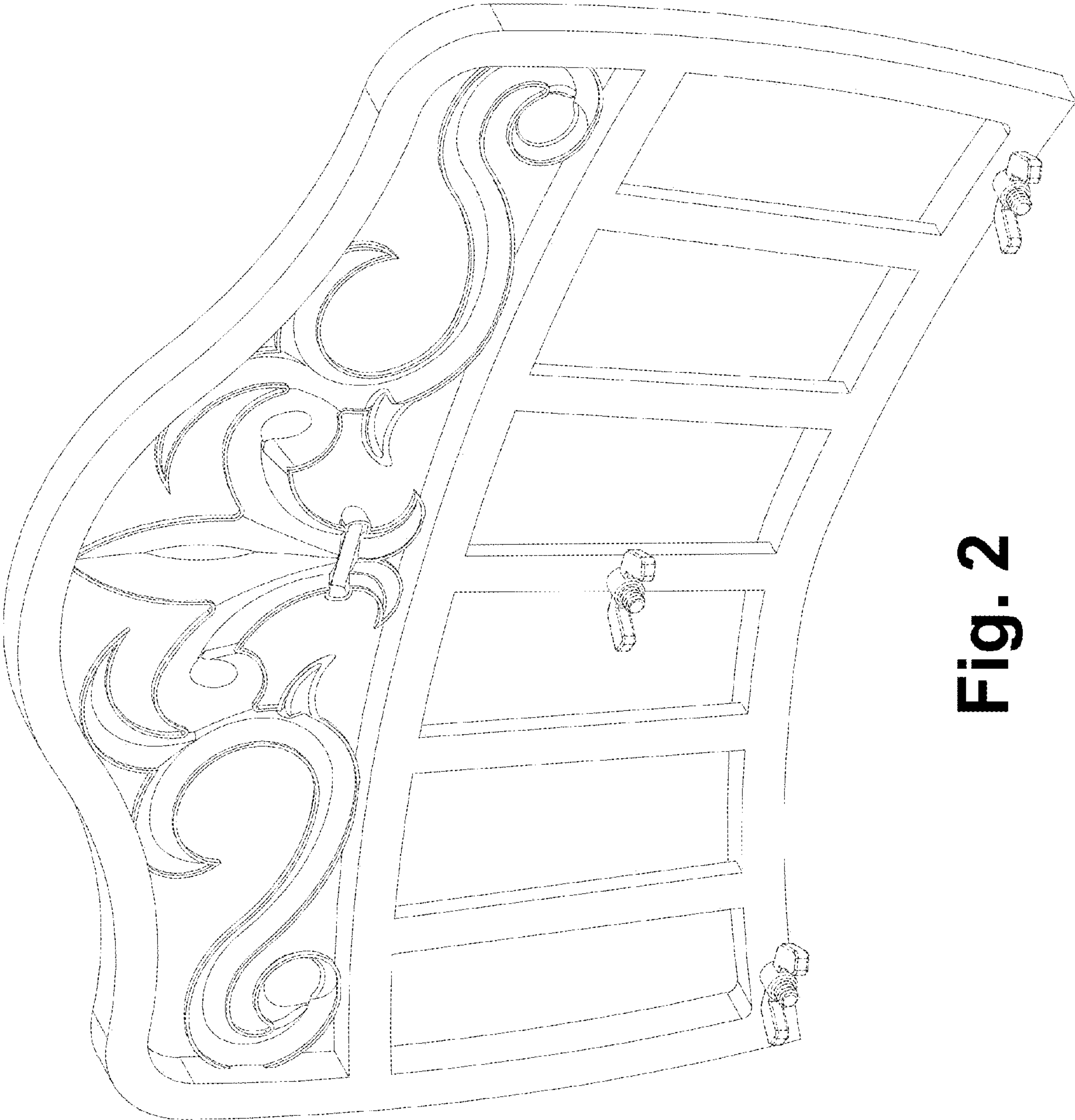


Fig. 2

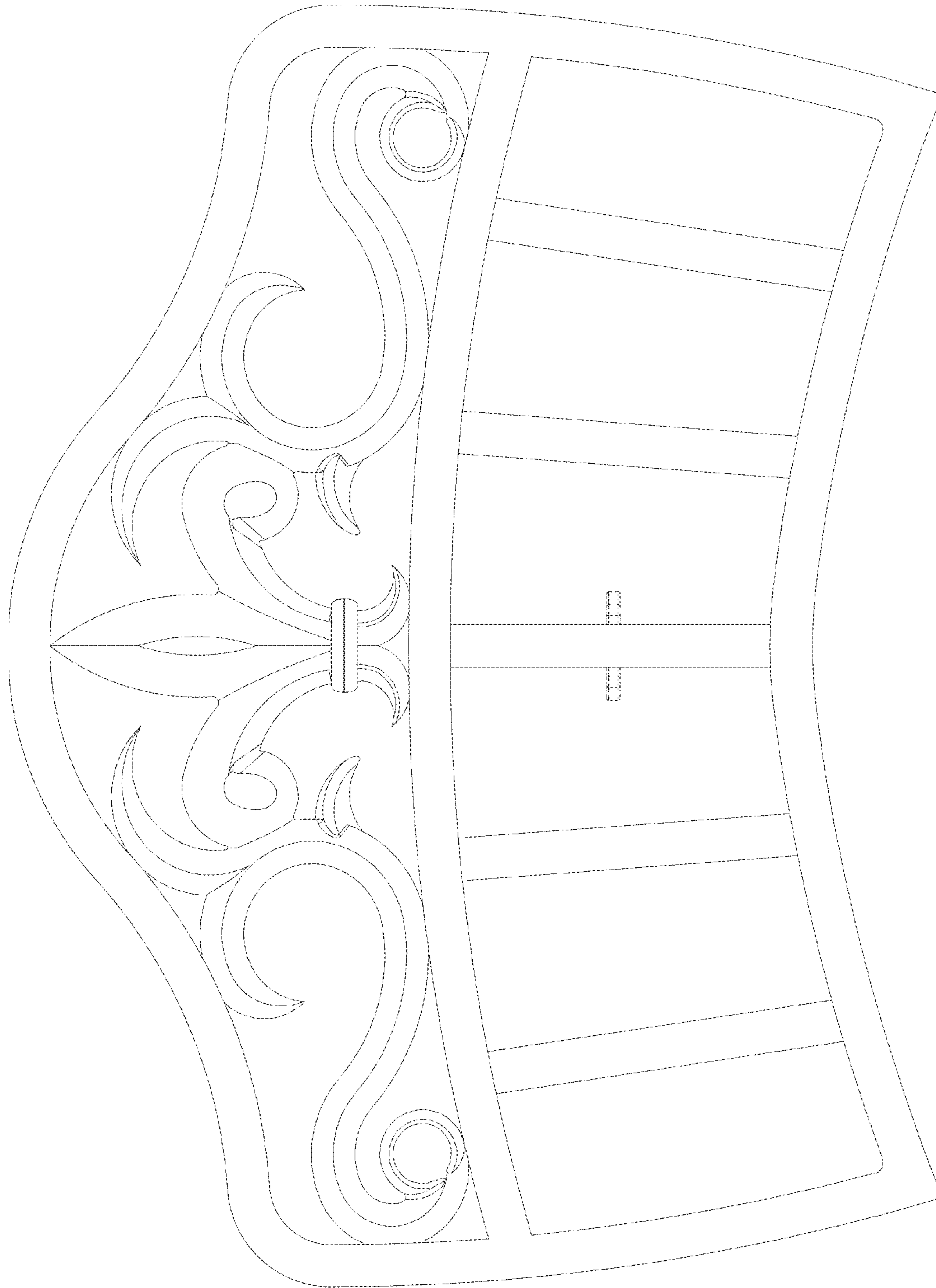


Fig. 3

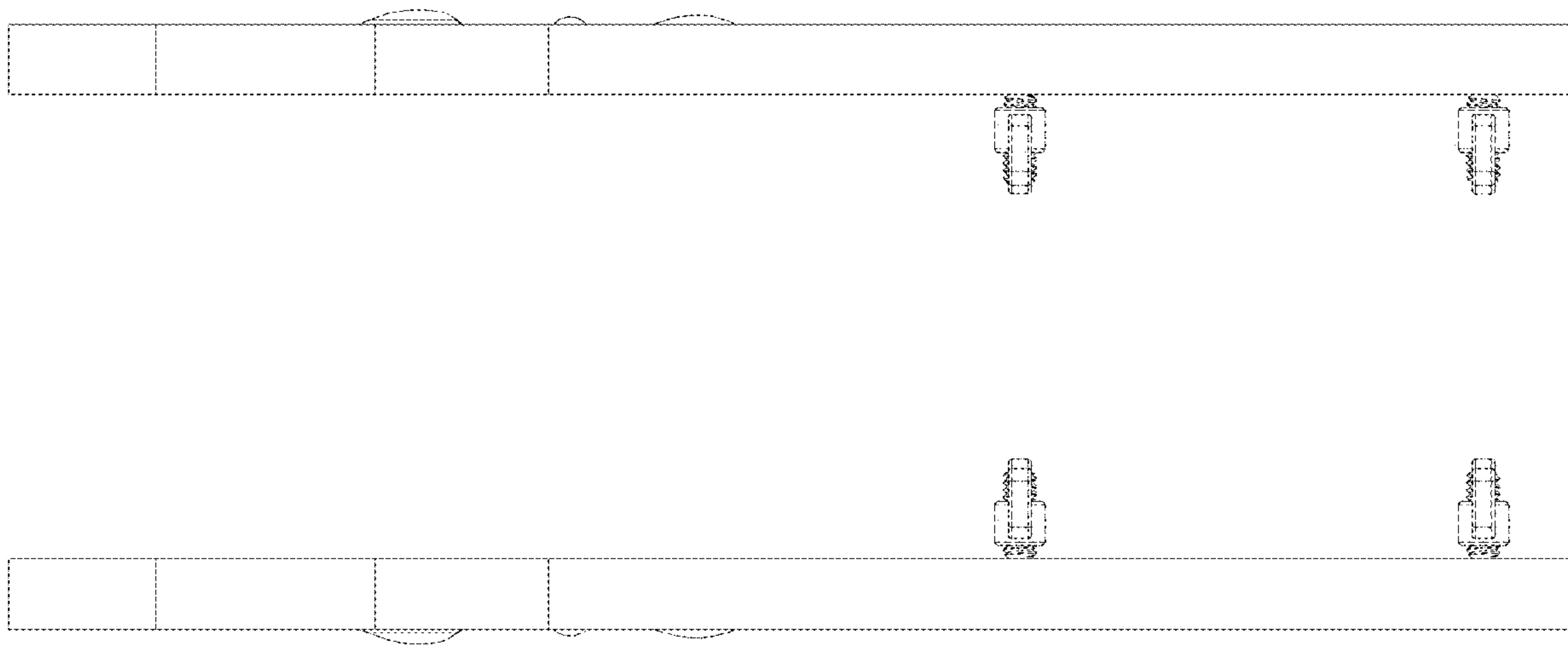


Fig. 5

Fig. 4

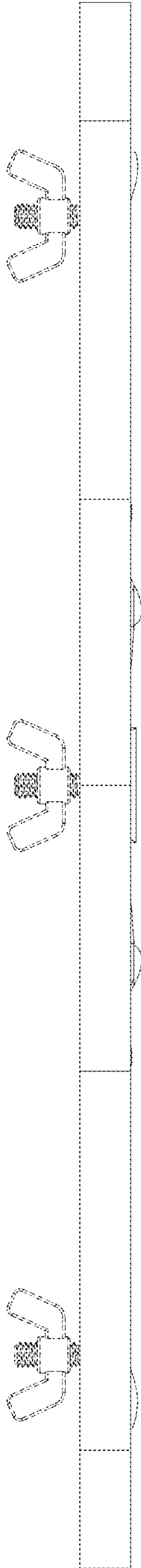


Fig. 6

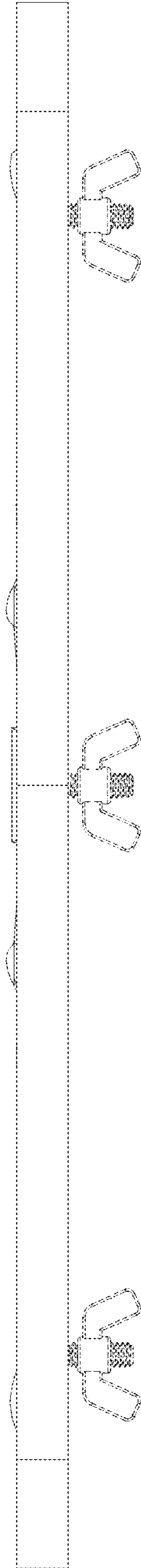


Fig. 7