

US00D949667S

(12) **United States Design Patent**
Martinez

(10) **Patent No.:** **US D949,667 S**
(45) **Date of Patent:** **** Apr. 26, 2022**

(54) **DOUBLE LOOP SWIVEL HOOK**
(71) Applicant: **INTELLIGENT DESIGNS 2000 CORP.**, Aurora, CO (US)
(72) Inventor: **Sandra Martinez**, Littleton, CO (US)
(73) Assignee: **INTELLIGENT DESIGNS 2000 CORP.**, Aurora, CO (US)
(**) Term: **15 Years**

4,065,834 A 1/1978 Montague, Jr.
4,074,401 A 2/1978 Spinosa et al.
4,123,012 A * 10/1978 Hough B65H 75/06
242/405.2
4,299,343 A 11/1981 Atchisson
4,501,027 A 2/1985 Olsson
5,123,153 A * 6/1992 Krauss A44B 11/10
24/171
5,127,137 A 7/1992 Krauss
5,205,021 A * 4/1993 Durand A44B 11/12
24/163 R
5,274,887 A 1/1994 Fudaki
(Continued)

(21) Appl. No.: **29/730,649**

FOREIGN PATENT DOCUMENTS

(22) Filed: **Apr. 7, 2020**
(51) **LOC (13) Cl.** **09-06**
(52) **U.S. Cl.**
USPC **D8/356**
(58) **Field of Classification Search**
USPC D8/356, 354, 349, 367, 394, 395, 396;
248/74.1, 74.2, 74.3, 74.4
CPC . B65D 63/16; F16B 2/08; A44B 11/04; A44B
6/00; F16G 11/14; B60R 22/24
See application file for complete search history.

CA 2843095 8/2014
EP 0620375 10/1994
(Continued)

Primary Examiner — Cynthia R Underwood
(74) *Attorney, Agent, or Firm* — Sheridan Ross P.C.

(57) **CLAIM**

The ornamental design for a double loop swivel hook for a strap, as shown and described.

(56) **References Cited**

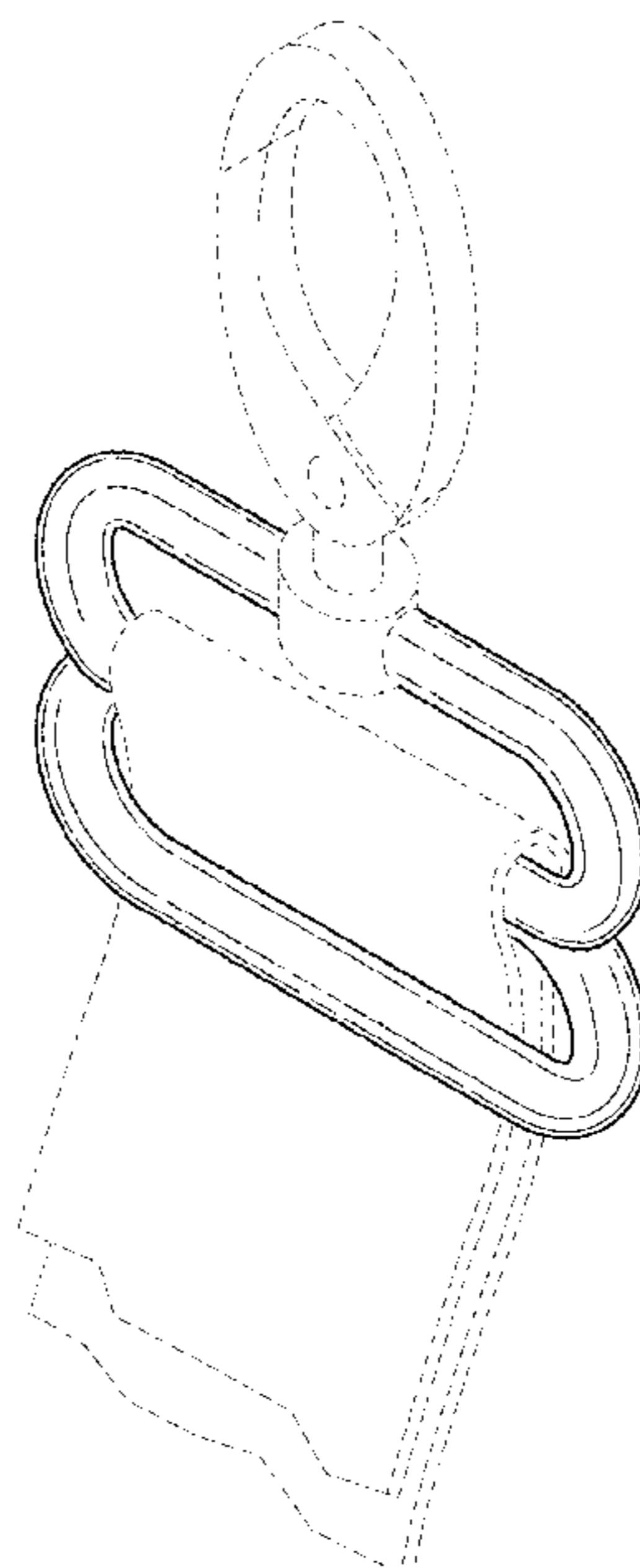
DESCRIPTION

U.S. PATENT DOCUMENTS

241,874 A 5/1881 McFarlane
435,880 A 9/1890 Marx
890,955 A 6/1908 Baxter
940,738 A 11/1909 Schleicher
1,049,732 A * 1/1913 Kerngood A44B 11/10
24/194
2,193,291 A 3/1940 Marchins
2,233,397 A 3/1941 Bloom
2,447,179 A 8/1948 Holloway
2,613,981 A 10/1952 Minor
3,293,713 A * 12/1966 Gaylord A44B 11/10
24/196
3,977,049 A 8/1976 Mezereny et al.

FIG. 1 is a perspective view of a double loop swivel hook;
FIG. 2 is a front elevation view thereof;
FIG. 3 is a rear elevation view thereof;
FIG. 4 is a right elevation view thereof;
FIG. 5 is a left elevation view thereof;
FIG. 6 is a top plan view thereof;
FIG. 7 is a bottom plan view thereof; and,
FIG. 8 is a perspective view of the double loop swivel hook engaged by a strap.
The broken lines are included for the purpose of illustrating environment and form no part of the claimed design.

1 Claim, 7 Drawing Sheets



(56)

References Cited

U.S. PATENT DOCUMENTS

5,285,555 A * 2/1994 Bell A44B 11/10
24/171
D354,676 S 1/1995 Izumi et al.
5,398,389 A 3/1995 Terada et al.
6,192,835 B1 2/2001 Calhoun et al.
6,196,931 B1 3/2001 Wilt
D446,163 S * 8/2001 Chung D11/218
6,286,777 B1 * 9/2001 Black B65H 75/06
242/388.6
D483,294 S * 12/2003 Uehara D11/218
D507,509 S * 7/2005 Hou D11/218
D508,218 S * 8/2005 Yoshiguchi D11/218
D510,297 S * 10/2005 Funo D11/218
D511,595 S * 11/2005 Bates 54/42.1
7,000,263 B2 2/2006 McNeal
7,144,086 B1 12/2006 Harcourt et al.
D564,409 S * 3/2008 Pontaoe D11/218
D576,077 S * 9/2008 Yoshiguchi D11/218
D577,283 S 9/2008 Nishida et al.
7,490,389 B1 2/2009 Ciniglio et al.
7,552,515 B2 * 6/2009 Funo A44B 11/04
24/200
D619,497 S * 7/2010 Paik D11/218
D619,498 S * 7/2010 Paik D11/218
7,963,562 B2 6/2011 Wendt et al.
D649,907 S * 12/2011 Kataguchi D11/218
8,113,399 B2 2/2012 Lee
D661,573 S * 6/2012 Paik D8/367
D662,400 S 6/2012 Kope
D668,580 S * 10/2012 Kax D11/218
D686,059 S * 7/2013 Paik D8/356
8,926,651 B2 1/2015 McDonald et al.
8,931,437 B2 1/2015 Aaron et al.
8,973,705 B2 3/2015 Guthrie et al.
D731,921 S * 6/2015 Kung D11/218
D741,148 S * 10/2015 Liu D11/218
9,151,568 B2 10/2015 Belanger
9,155,360 B1 * 10/2015 Mowad A41F 9/002
D742,722 S * 11/2015 Paik D8/356
9,248,324 B1 2/2016 Guthrie et al.
D763,666 S * 8/2016 Wengreen D8/356
9,433,259 B2 * 9/2016 Jacobsen A44B 11/10
9,557,138 B2 1/2017 Alford
9,560,898 B2 2/2017 Hortnagl

D782,287 S * 3/2017 Chen D8/356
9,743,717 B2 * 8/2017 Custer A44B 11/22
D808,251 S * 1/2018 Hetrick D8/356
9,915,499 B2 3/2018 Alford
D823,717 S * 7/2018 Ho D11/218
10,039,349 B2 * 8/2018 Muller A42B 3/08
D830,226 S * 10/2018 Chang D11/218
D830,948 S * 10/2018 Fenchak D12/414
D839,084 S * 1/2019 Mikoska D8/356
10,188,177 B2 * 1/2019 Prugue A44B 11/04
D839,719 S * 2/2019 Burrell D8/356
D840,869 S * 2/2019 Koreishi D11/218
D840,870 S * 2/2019 Koreishi D11/218
D842,078 S * 3/2019 Martino D8/356
D843,887 S * 3/2019 Frost D11/218
D847,016 S * 4/2019 Stringham D11/218
D868,625 S * 12/2019 Paik D11/218
10,531,710 B2 * 1/2020 Allen A44B 11/2557
D877,280 S * 3/2020 Eitan D22/108
10,602,807 B2 * 3/2020 Ben-Arie A43C 11/14
10,617,179 B2 * 4/2020 Fiedler A44B 11/12
10,654,442 B2 * 5/2020 Wang A44B 11/2557
D911,153 S * 2/2021 Auston D8/356
D911,823 S * 3/2021 Auston D8/356
D911,824 S * 3/2021 Auston D8/356
10,994,694 B2 * 5/2021 Wang B60R 22/201
D928,032 S * 8/2021 Okumu A44B 6/00
D11/202
2006/0208016 A1 9/2006 Esch
2007/0152007 A1 7/2007 Kauss et al.
2010/0115736 A1 5/2010 Paik
2011/0006088 A1 1/2011 Matthews
2013/0333119 A1 * 12/2013 Maynard B25F 1/00
7/163
2014/0018807 A1 * 1/2014 Foerster A61B 17/8869
606/74
2014/0263489 A1 9/2014 Hendricks
2014/0298630 A1 10/2014 Hortnagl

FOREIGN PATENT DOCUMENTS

EP 1692958 8/2006
EP 2147085 1/2010
EP 2713798 4/2014
JP 2011-083460 4/2011
TW 1457087 6/2012

* cited by examiner

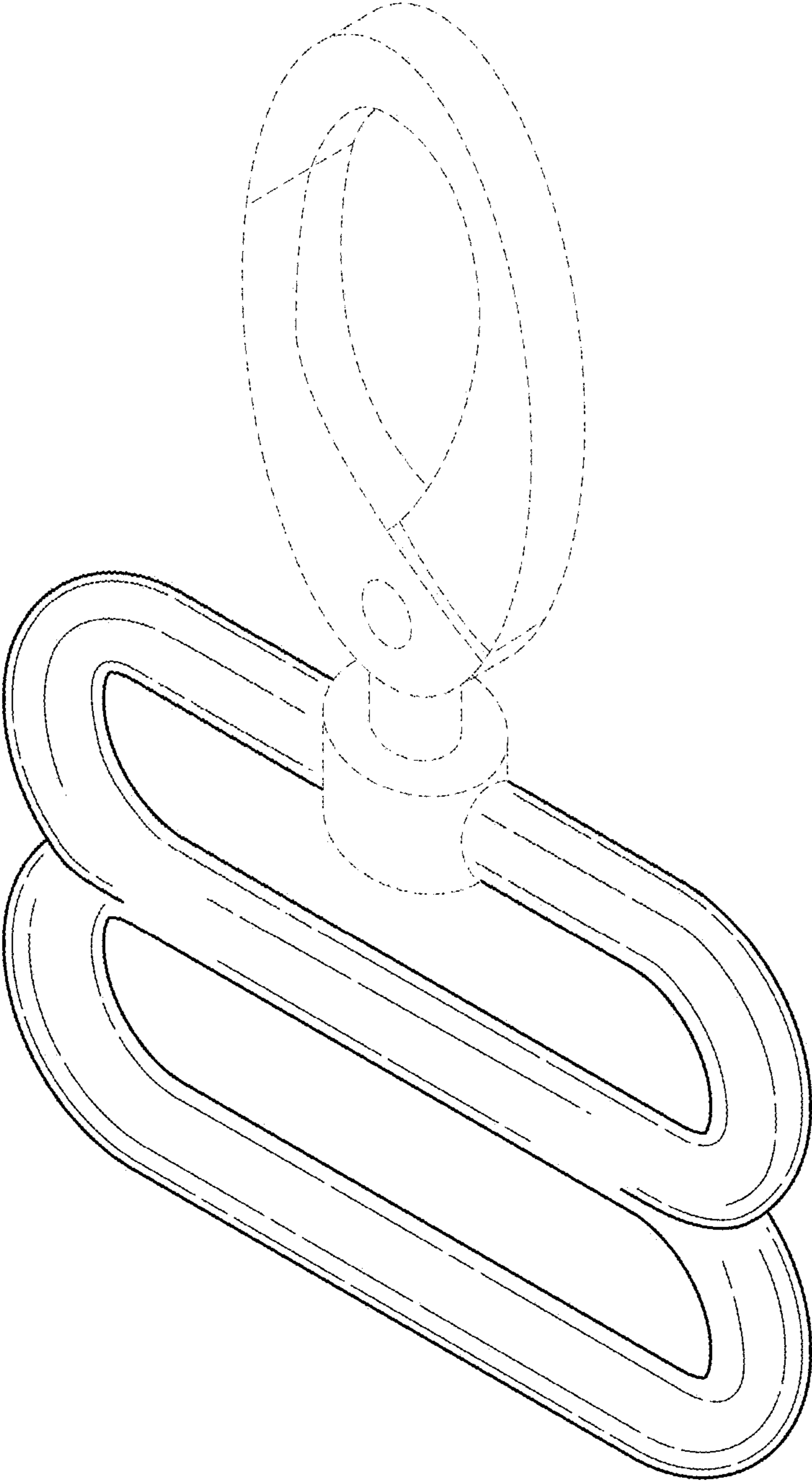


FIG. 1

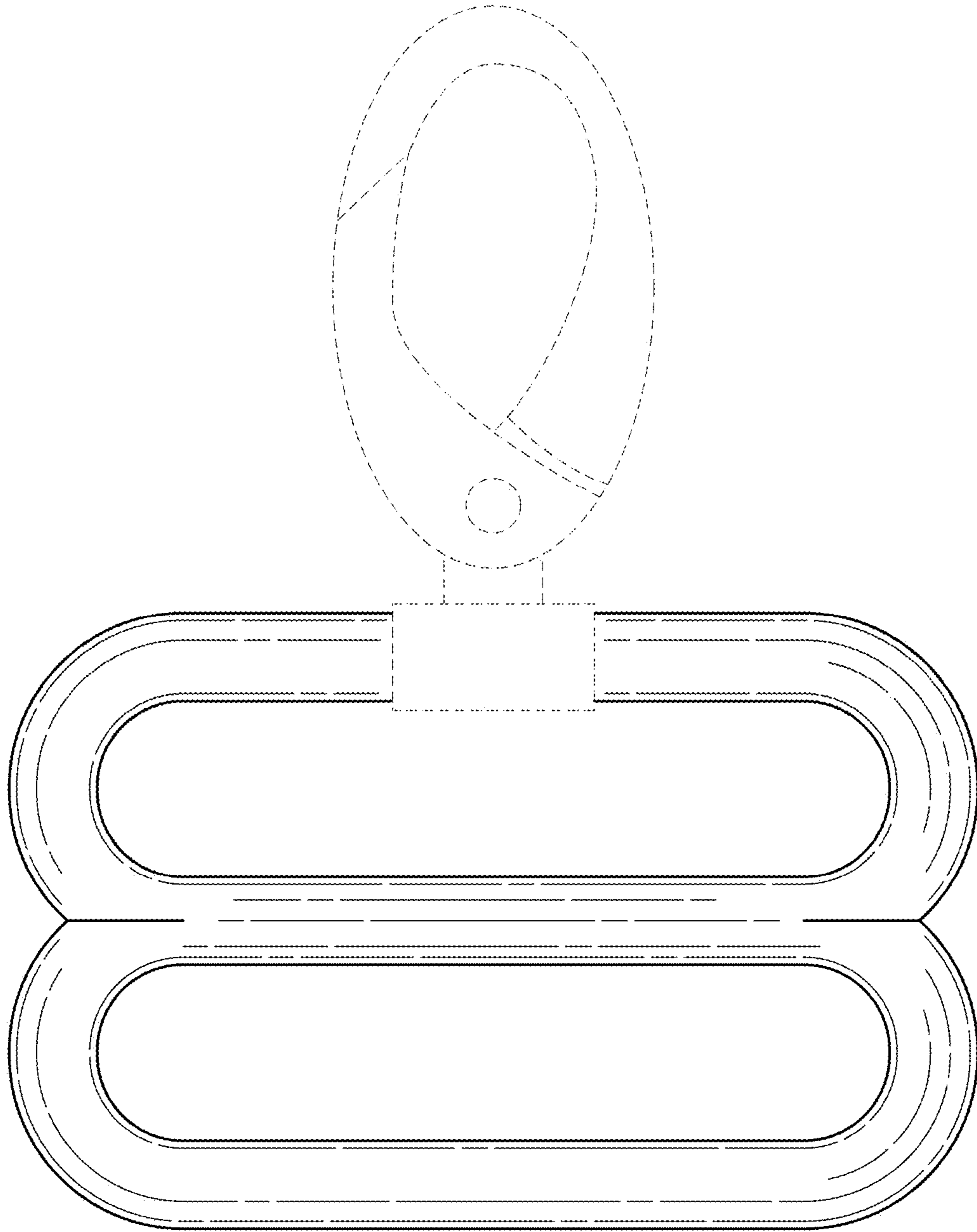


FIG. 2

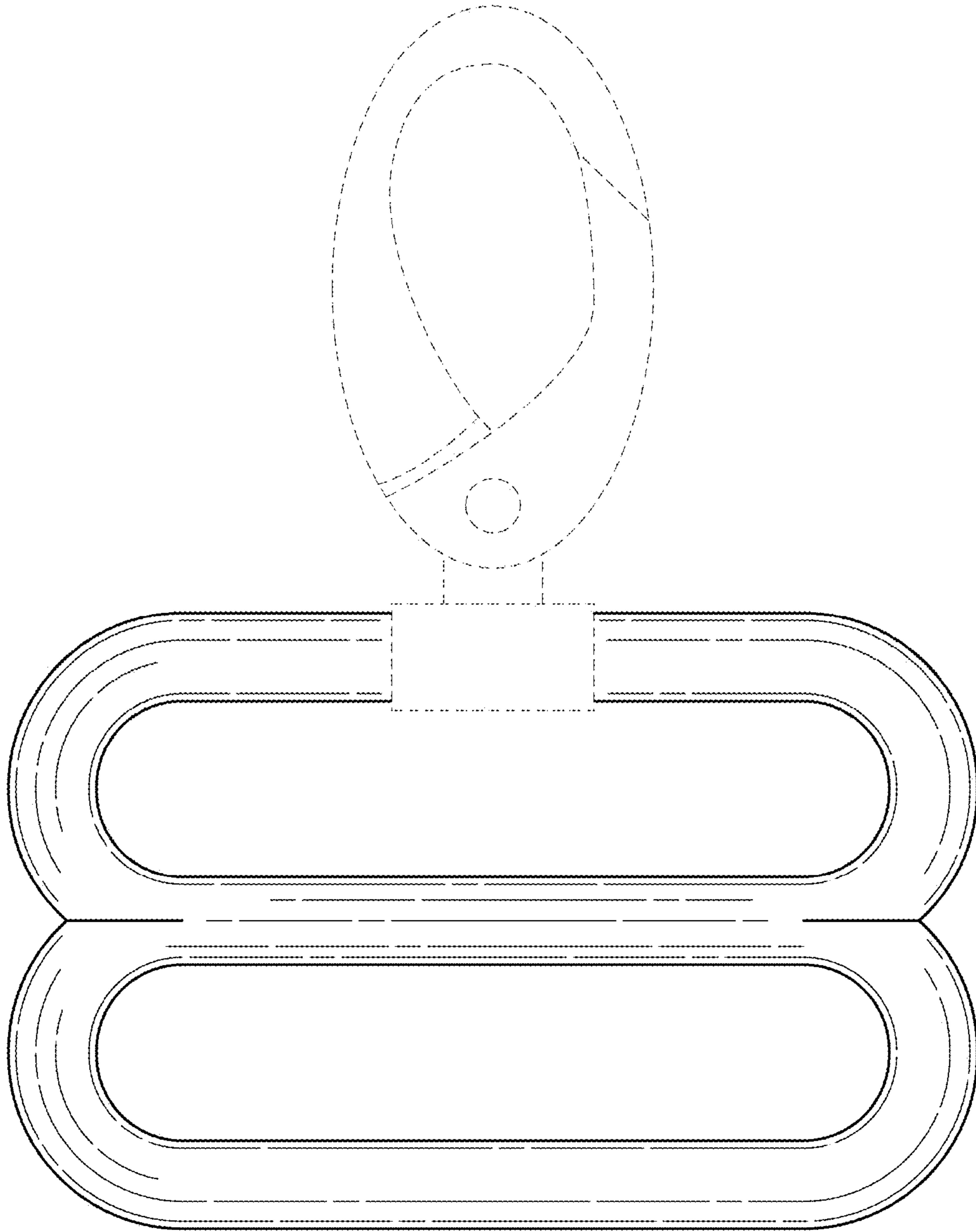


FIG.3

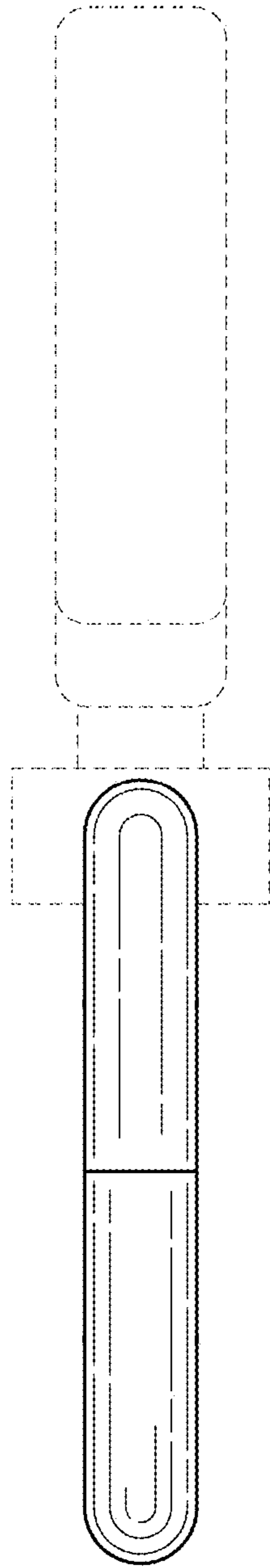


FIG.4

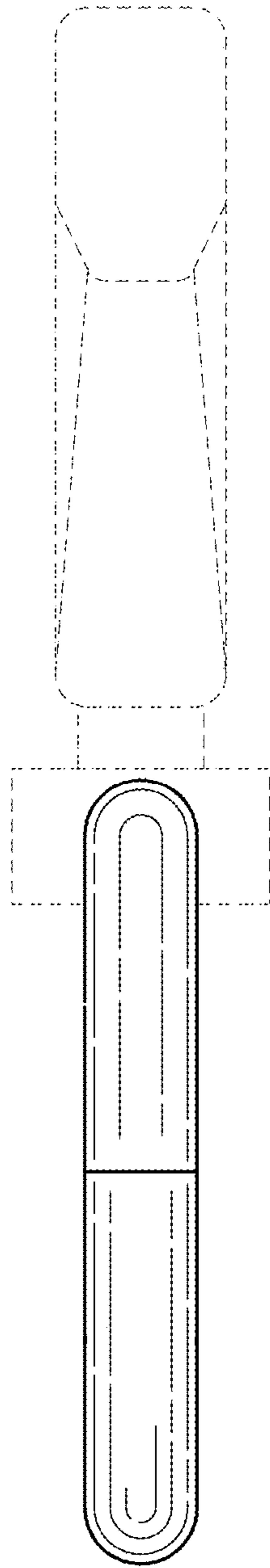


FIG.5

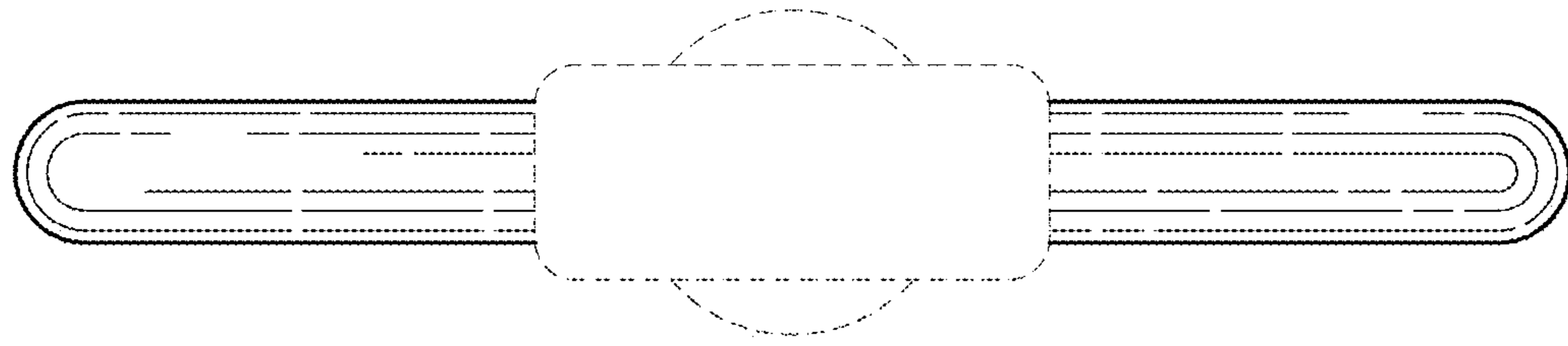


FIG. 6

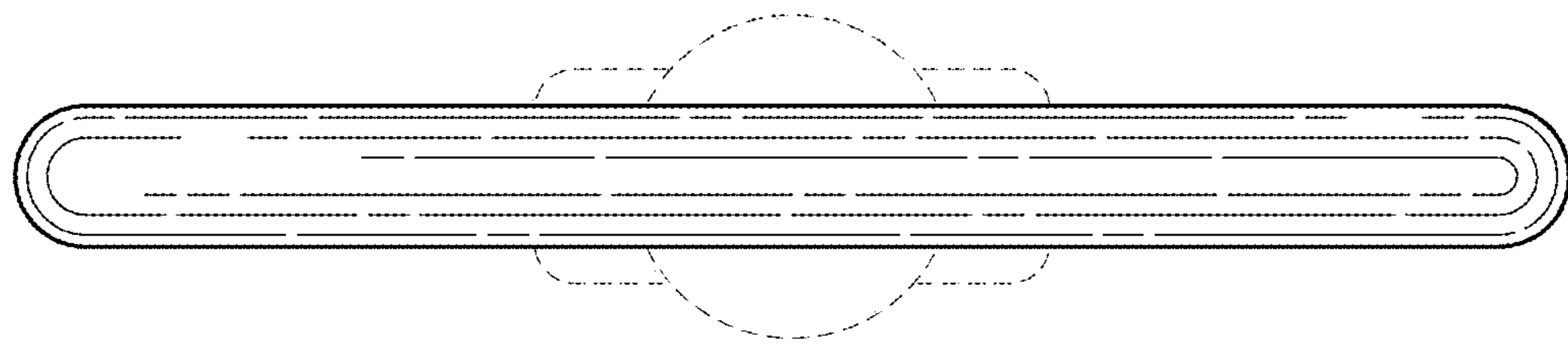


FIG. 7

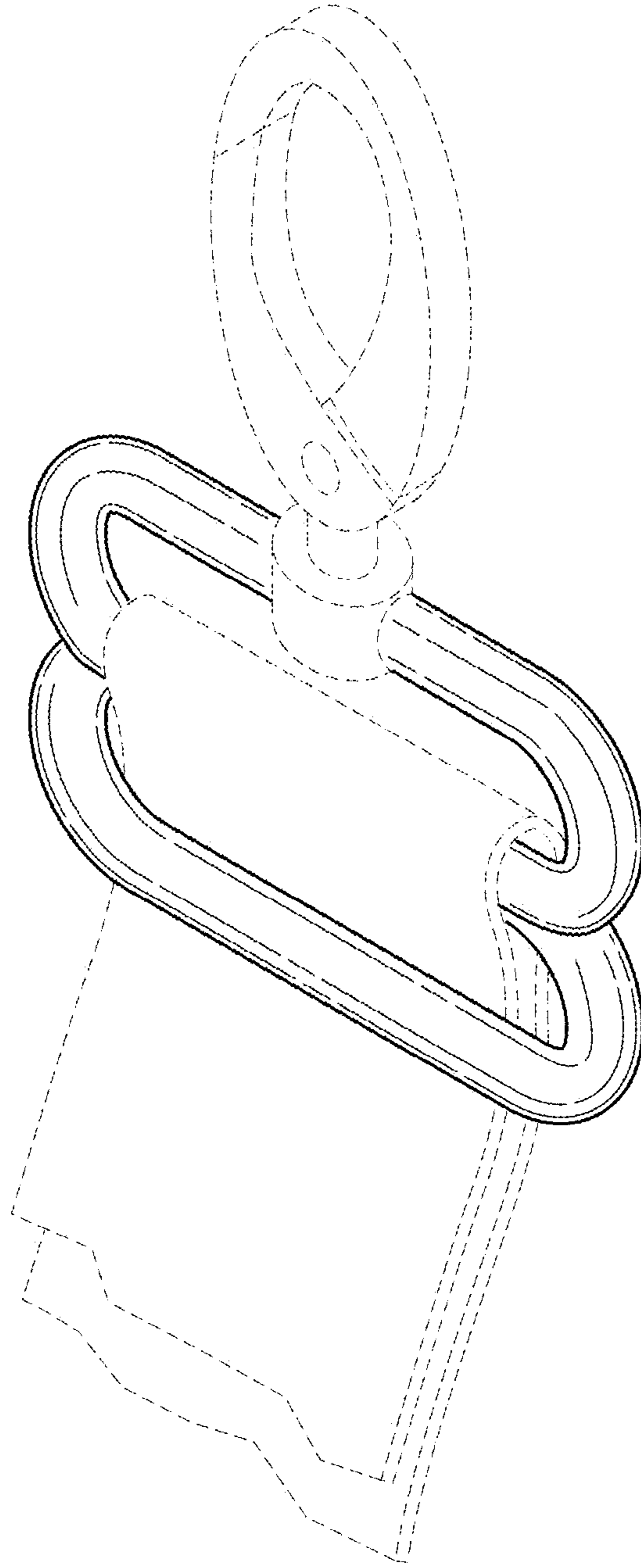


FIG.8