



US00D949663S

(12) **United States Design Patent**
Limber

(10) **Patent No.:** **US D949,663 S**

(45) **Date of Patent:** **** Apr. 26, 2022**

(54) **SUCTION CUP FOR SUPPORTING
DECORATIVE LIGHTING AND THE LIKE**

(71) Applicant: **Jamie Limber**, Phoenix, AZ (US)

(72) Inventor: **Jamie Limber**, Phoenix, AZ (US)

(73) Assignee: **Simple Living Solutions, LLC**,
Scottsdale, AZ (US)

(**) Term: **15 Years**

(21) Appl. No.: **29/747,910**

(22) Filed: **Aug. 26, 2020**

(51) **LOC (13) Cl.** **08-08**

(52) **U.S. Cl.**
USPC **D8/349; D8/354**

(58) **Field of Classification Search**
USPC D8/354, 14, 349, 154, 373, 394;
D14/251; D16/242; D21/407
CPC A45D 42/14; F16B 47/00; A63H 3/04;
A63H 3/36; A63H 3/50; A63H 9/00;
A63H 23/00; A63H 23/10; A63H
33/3022; A63H 33/3038
See application file for complete search history.

(56) **References Cited**

U.S. PATENT DOCUMENTS

D327,215 S *	6/1992	Pestone	D8/373
D332,390 S *	1/1993	Adams	D8/373
D357,170 S *	4/1995	Wellsfry	D8/349
D388,691 S *	1/1998	Adams	D8/354
D391,837 S *	3/1998	Adams	D8/354
D401,499 S *	11/1998	Barry	D8/367
D408,725 S *	4/1999	Adams	D8/373
D416,783 S *	11/1999	Hampshire	D8/354
D421,211 S *	2/2000	Adams	D8/354
D423,329 S *	4/2000	Adams	D8/354
D499,635 S *	12/2004	Osborne	D8/373
D506,380 S *	6/2005	Chu	D8/349

D599,192 S *	9/2009	Andren	D8/354
D709,559 S *	7/2014	Baumann	D21/398
D709,562 S *	7/2014	Baumann	D21/398
D709,564 S *	7/2014	Baumann	D21/398
D712,235 S *	9/2014	Hoover	D8/349
D714,126 S *	9/2014	Pyon	D8/349
D735,557 S *	8/2015	Leshem	D8/354
D737,383 S *	8/2015	Hochstrasser	D21/621
D738,434 S *	9/2015	Baumann	D21/398
D744,316 S *	12/2015	Nook	D8/349
D820,992 S *	6/2018	King	D24/200
D829,806 S *	10/2018	Balmer	D16/242

(Continued)

Primary Examiner — Mark A Goodwin

(74) *Attorney, Agent, or Firm* — Michelle L. Gross, P.C.

(57) **CLAIM**

The ornamental design for a suction cup for supporting decorative lighting and the like, as shown.

DESCRIPTION

FIG. 1 is a perspective view of the suction cup for supporting decorative lighting and the like showing a top, a front and a right side of my new design;

FIG. 2 is a perspective view of the suction cup for supporting decorative lighting and the like showing a bottom, a rear and a left side of my new design;

FIG. 3 is the suction cup for supporting decorative lighting and the like showing the front view thereof;

FIG. 4 is the suction cup for supporting decorative lighting and the like showing the rear view thereof;

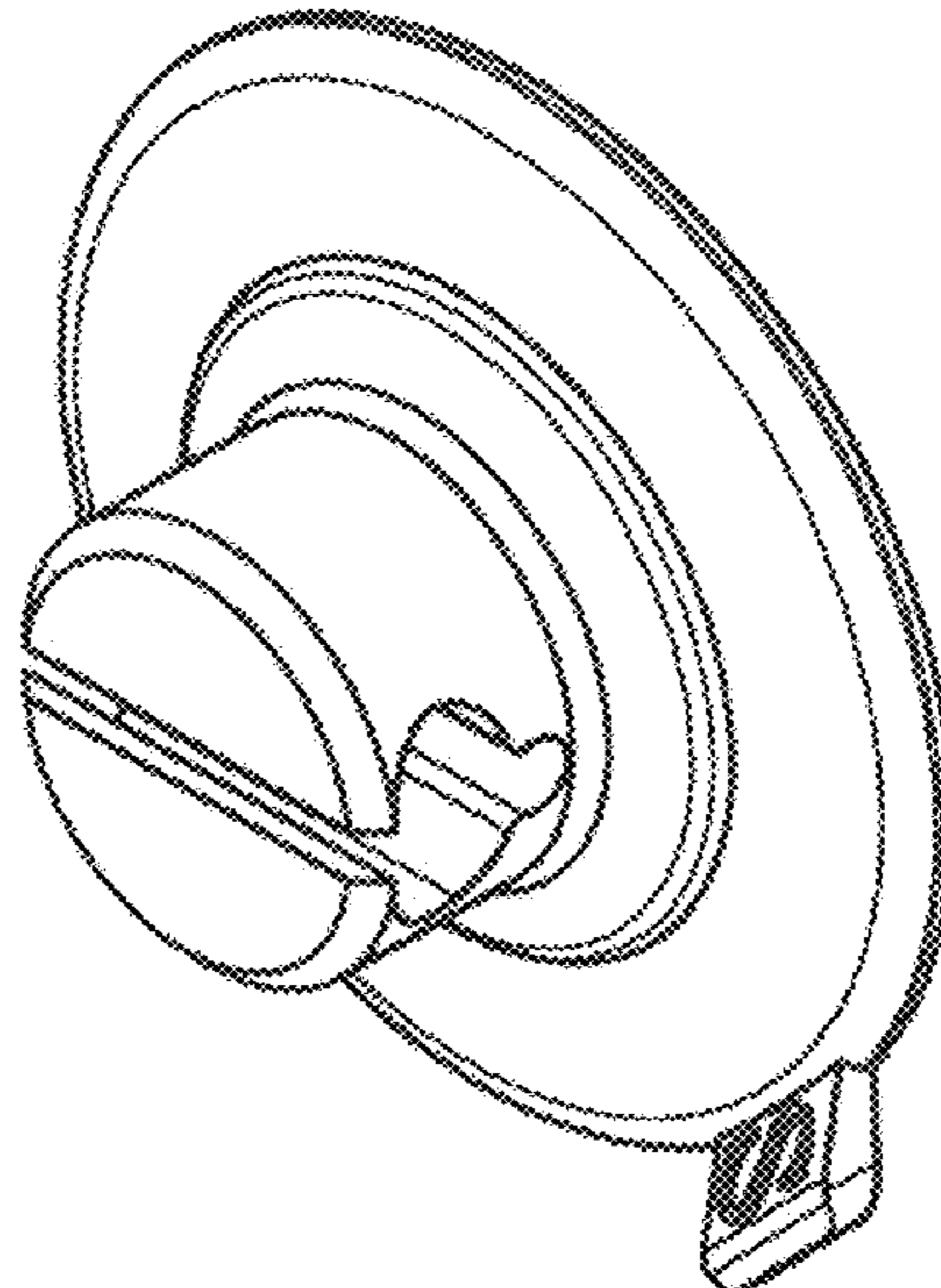
FIG. 5 is the suction cup for supporting decorative lighting and the like showing the right-side view thereof;

FIG. 6 is the suction cup for supporting decorative lighting and the like showing the left-side view thereof;

FIG. 7 is the suction cup for supporting decorative lighting and the like showing the top view thereof; and,

FIG. 8 is the suction cup for supporting decorative lighting and the like showing the bottom view thereof.

1 Claim, 4 Drawing Sheets



(56)

References Cited

U.S. PATENT DOCUMENTS

D833,852	S	*	11/2018	Umholtz	D8/354
D853,824	S	*	7/2019	Kravchenko	D8/354
D879,596	S	*	3/2020	Li	D8/367
D885,164	S	*	5/2020	Frydenger	D8/349
D885,165	S	*	5/2020	Frydenger	D8/349
D889,162	S	*	7/2020	Elliott	D6/526
D889,879	S	*	7/2020	Klowan	D6/540
D890,159	S	*	7/2020	McSweyn	D14/253
D890,739	S	*	7/2020	McSweyn	D14/253
D891,197	S	*	7/2020	Campion	D7/620
D899,224	S	*	10/2020	Elliott	D8/354
D903,469	S	*	12/2020	Wang	D8/349
D907,464	S	*	1/2021	Prommel	D8/354
D923,460	S	*	6/2021	McNaughton	D8/354
D931,091	S	*	9/2021	Blakely	D8/373

* cited by examiner

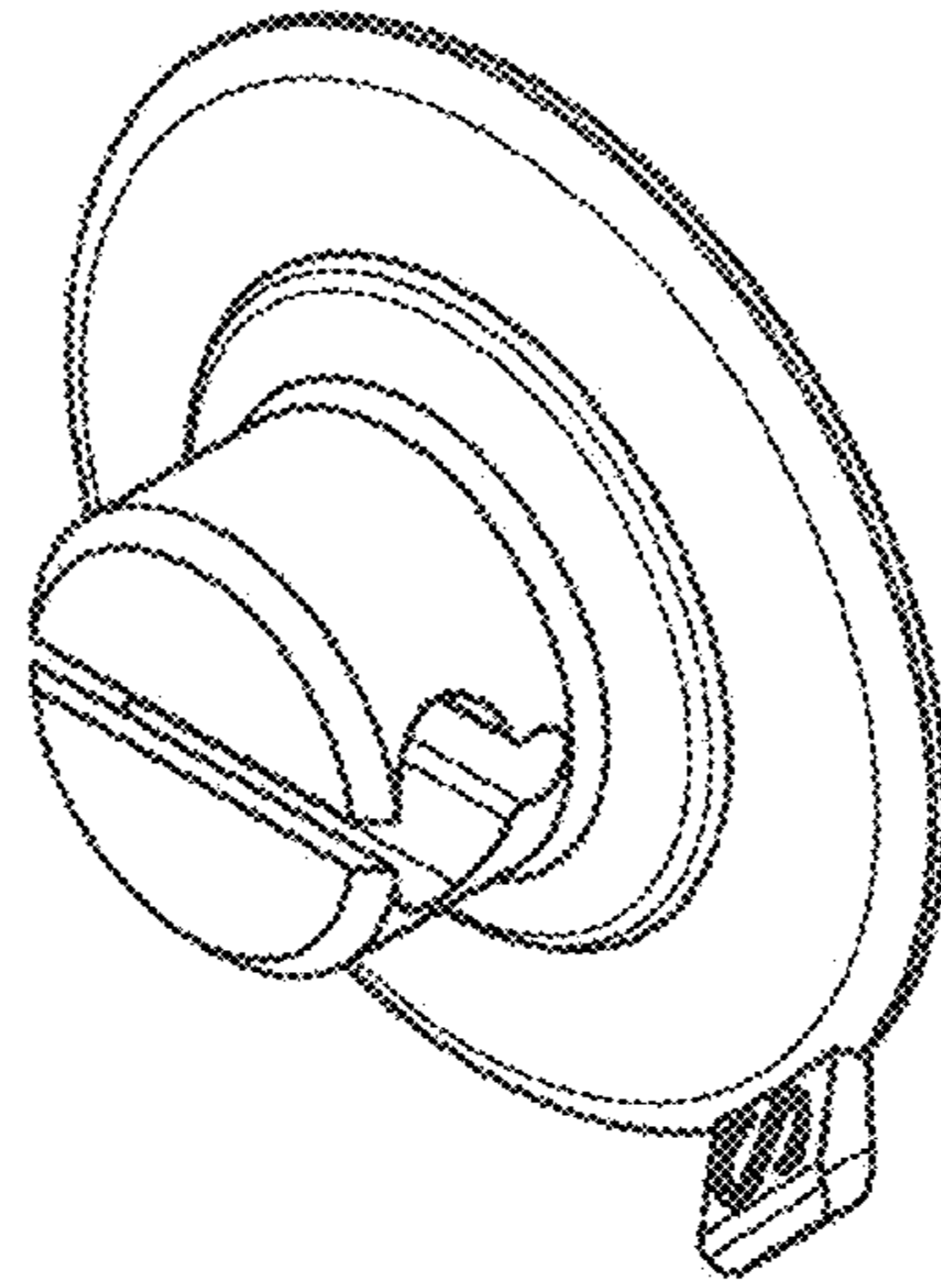


FIG 1

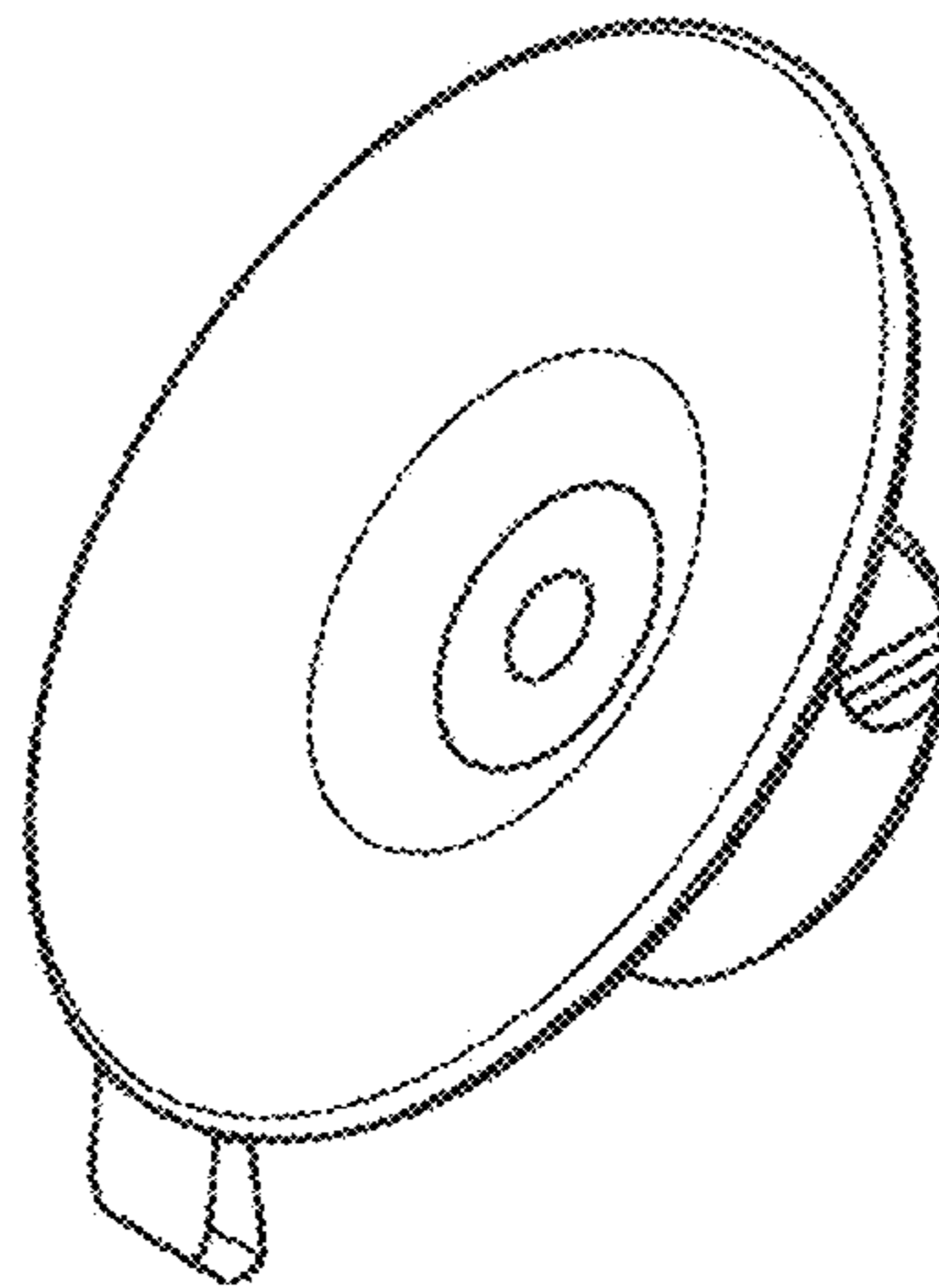


FIG 2

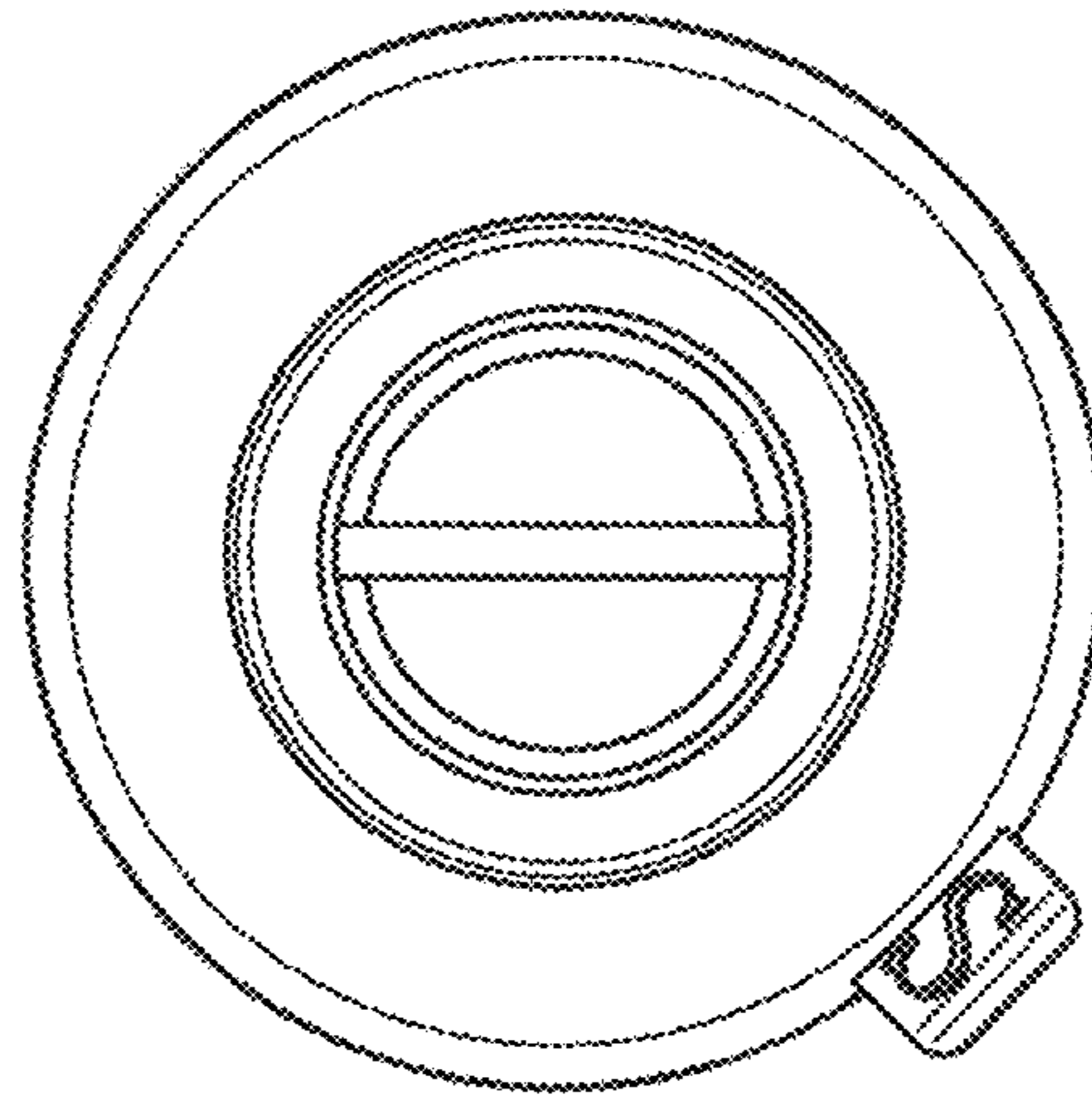


FIG 3

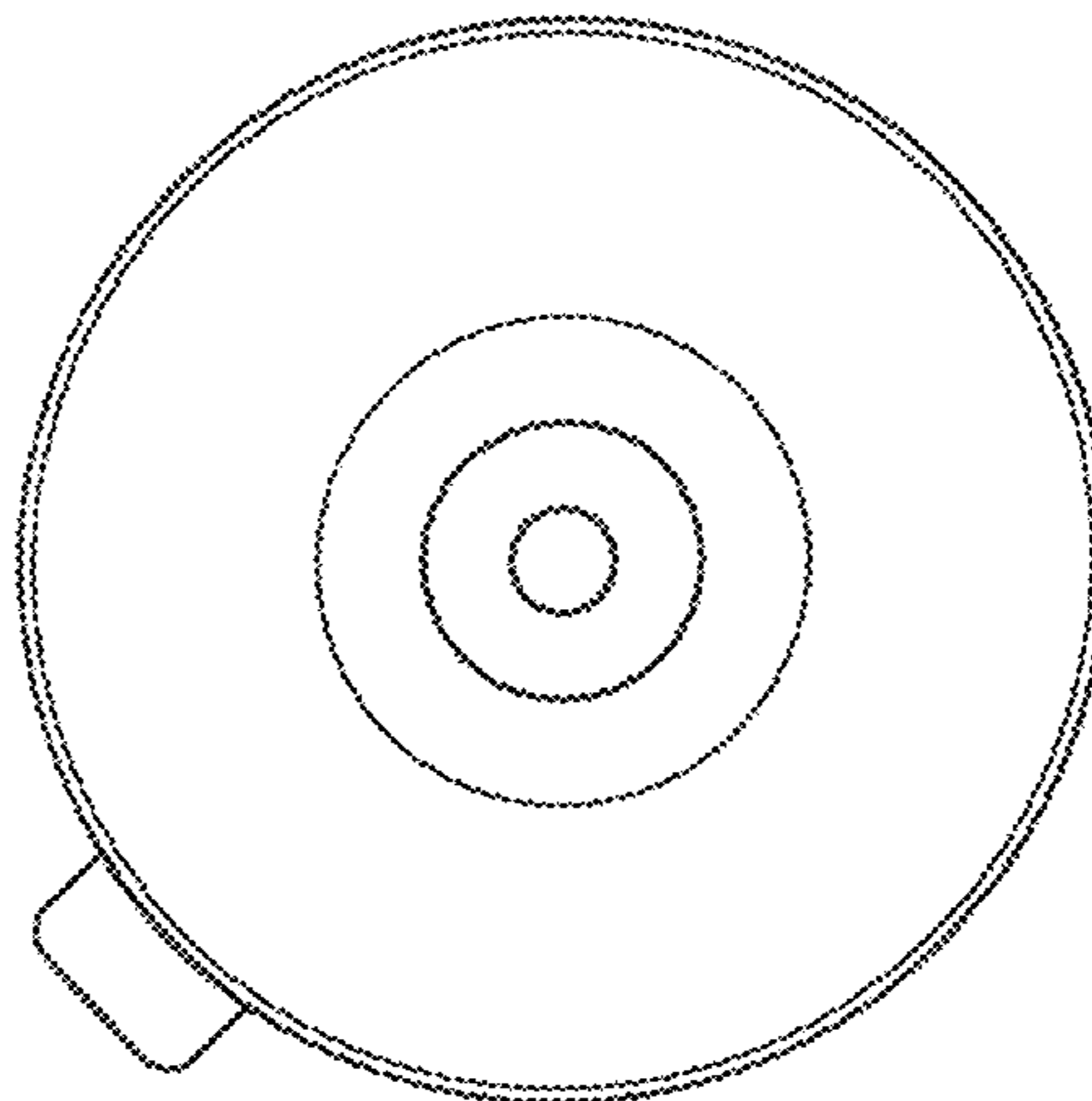


FIG 4

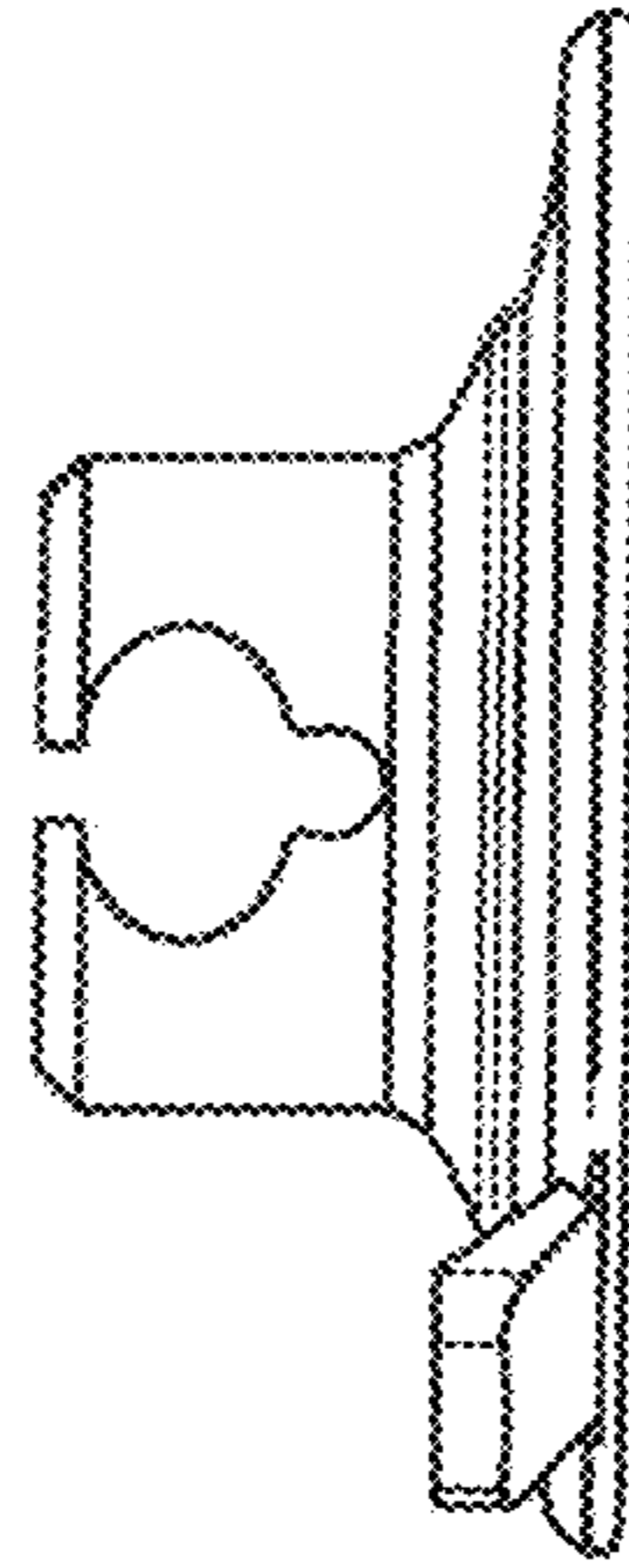


FIG 5

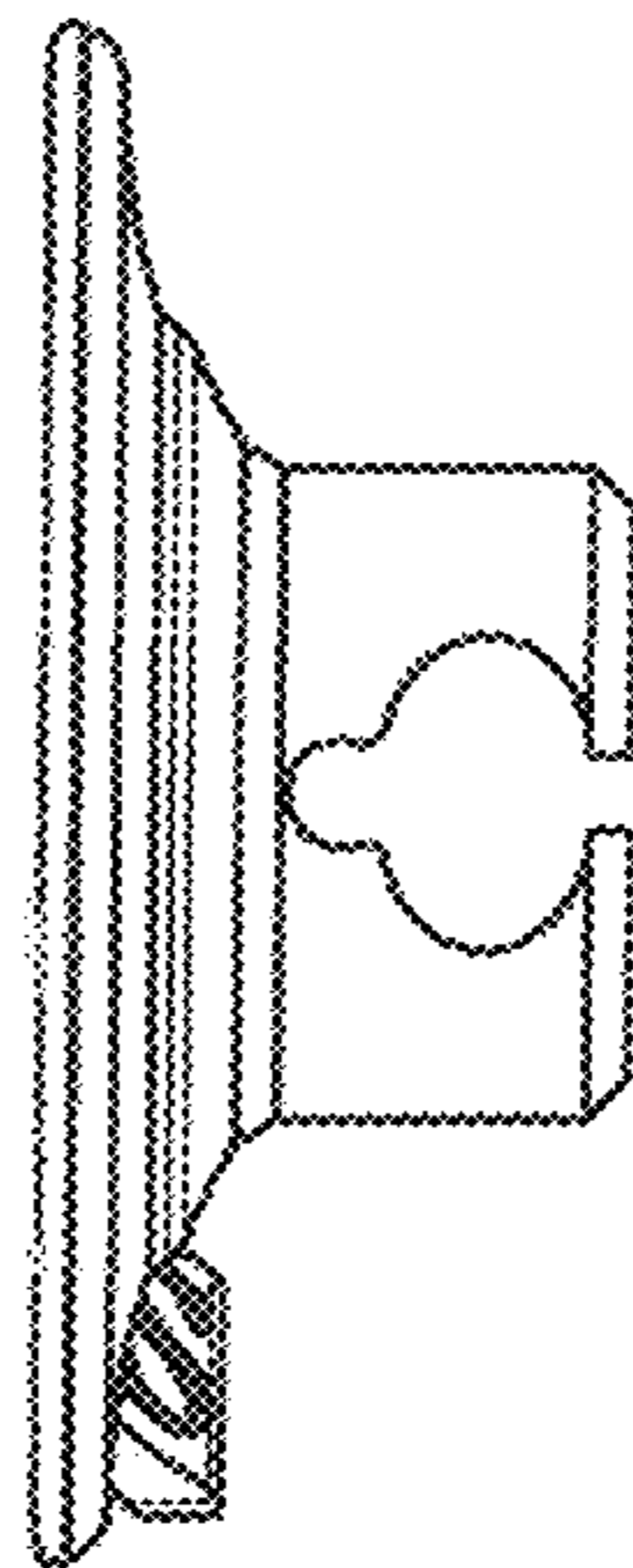


FIG 6

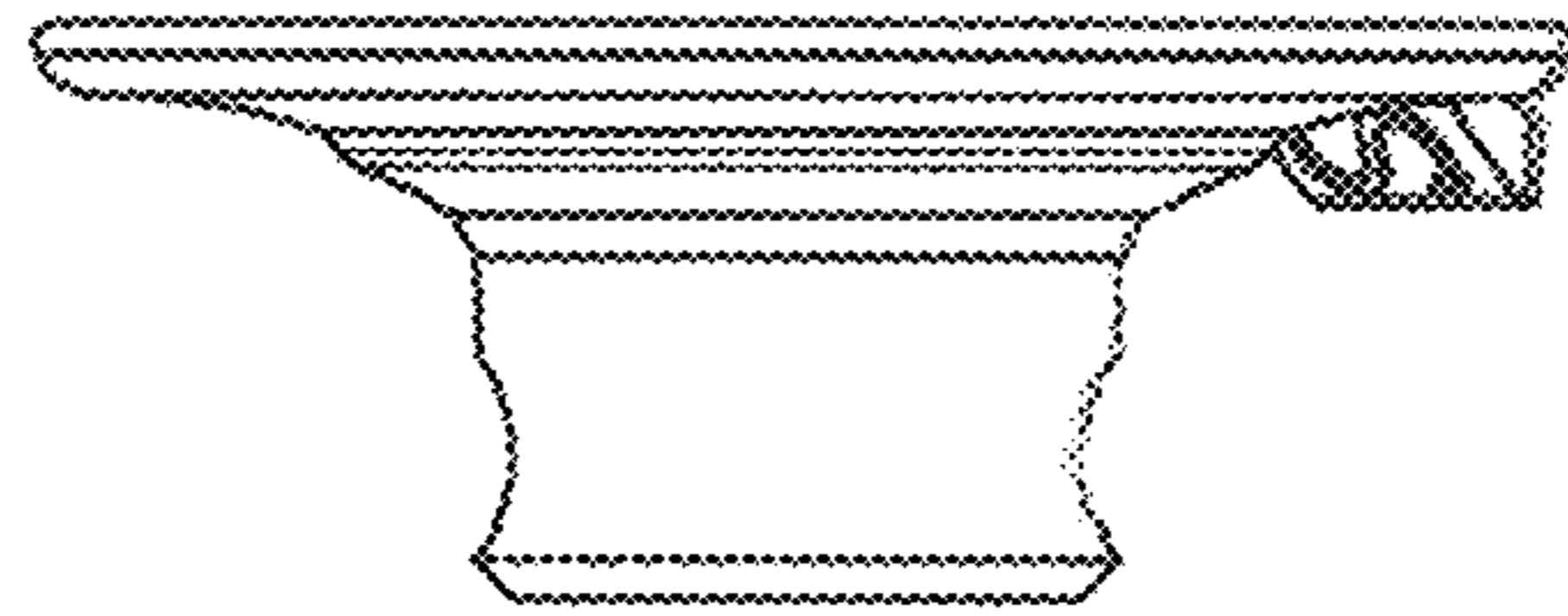


FIG 7

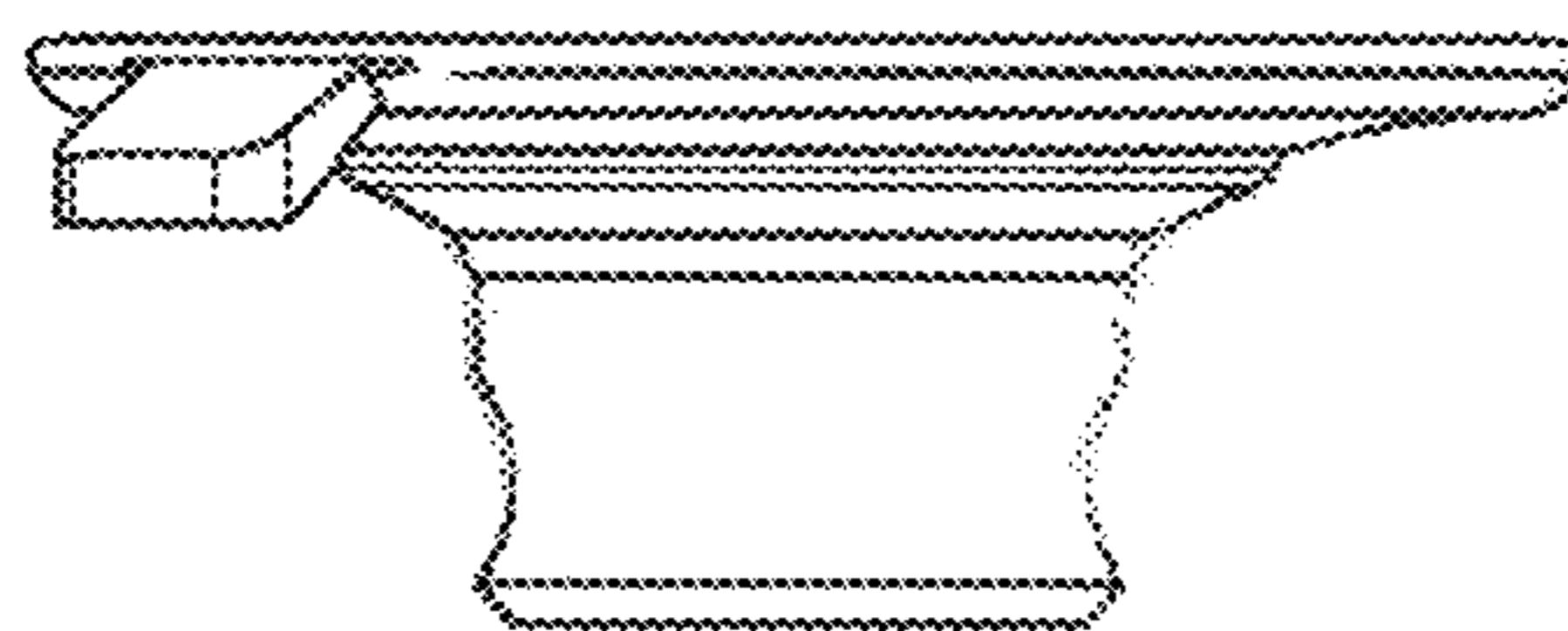


FIG 8