



US00D949662S

(12) **United States Design Patent**
Paik et al.

(10) **Patent No.:** **US D949,662 S**

(45) **Date of Patent:** **** Apr. 26, 2022**

(54) **LOCKING DEVICE FOR BAG ACCESSORIES**

5,881,582 A * 3/1999 Monaco F16K 35/06
70/30

(71) Applicant: **WOOJIN PLASTIC Co., Ltd.**,
Namyangju-si (KR)

D686,485 S * 7/2013 Taylor D8/333
D767,367 S * 9/2016 Fox D8/333

(72) Inventors: **Ji Sook Paik**, Seoul (KR); **Ji Hye Paik**, Seoul (KR); **Ji Won Son**, Seoul (KR); **Nan Hee Paik**, Seoul (KR)

* cited by examiner

Primary Examiner — Doris Clark
(74) *Attorney, Agent, or Firm* — Paratus Law Group, PLLC

(73) Assignee: **WOOJIN PLASTIC CO., LTD.**,
Namyangju-si (KR)

(57) **CLAIM**

The ornamental design for a locking device for bag accessories, as shown and described.

(**) Term: **15 Years**

DESCRIPTION

(21) Appl. No.: **29/740,107**

FIG. 1 is a front, top and left sides perspective view of a locking device for bag accessories, showing our new design; FIG. 2 is a front view thereof; FIG. 3 is a back view thereof; FIG. 4 is a left side view thereof; FIG. 5 is a right side view thereof; FIG. 6 is a top view thereof; FIG. 7 is a bottom view thereof; FIG. 8 is a perspective view thereof, showing a state in which a hanger hook is unlocked; FIG. 9 is a cross-sectional view taken along line 9-9 shown in FIG. 2; FIG. 10 is a cross-sectional view taken along line 10-10 shown in FIG. 2; and, FIG. 11 is a reference view showing the locking device for bag accessories in use.

(22) Filed: **Jul. 1, 2020**

(30) **Foreign Application Priority Data**

Jan. 9, 2020 (KR) 30-2020-0001057

(51) **LOC (13) Cl.** **08-07**

(52) **U.S. Cl.**
USPC **D8/333**

(58) **Field of Classification Search**
USPC D8/333
CPC .. E05B 73/00; E05B 73/0005; E05B 73/0017;
A45C 13/18; A45C 13/185
See application file for complete search history.

The long dash short dash broken lines and arrows shown in FIG. 2 are used to identify the cross-sectional views and form no part of the claimed design. The evenly spaced broken lines shown in FIG. 11 depict environment and form no part of the claimed design.

(56) **References Cited**

U.S. PATENT DOCUMENTS

D293,547 S * 1/1988 Owen D8/333
4,956,982 A * 9/1990 Valley E05B 67/383
70/59
D389,032 S * 1/1998 Lu D8/333

1 Claim, 8 Drawing Sheets

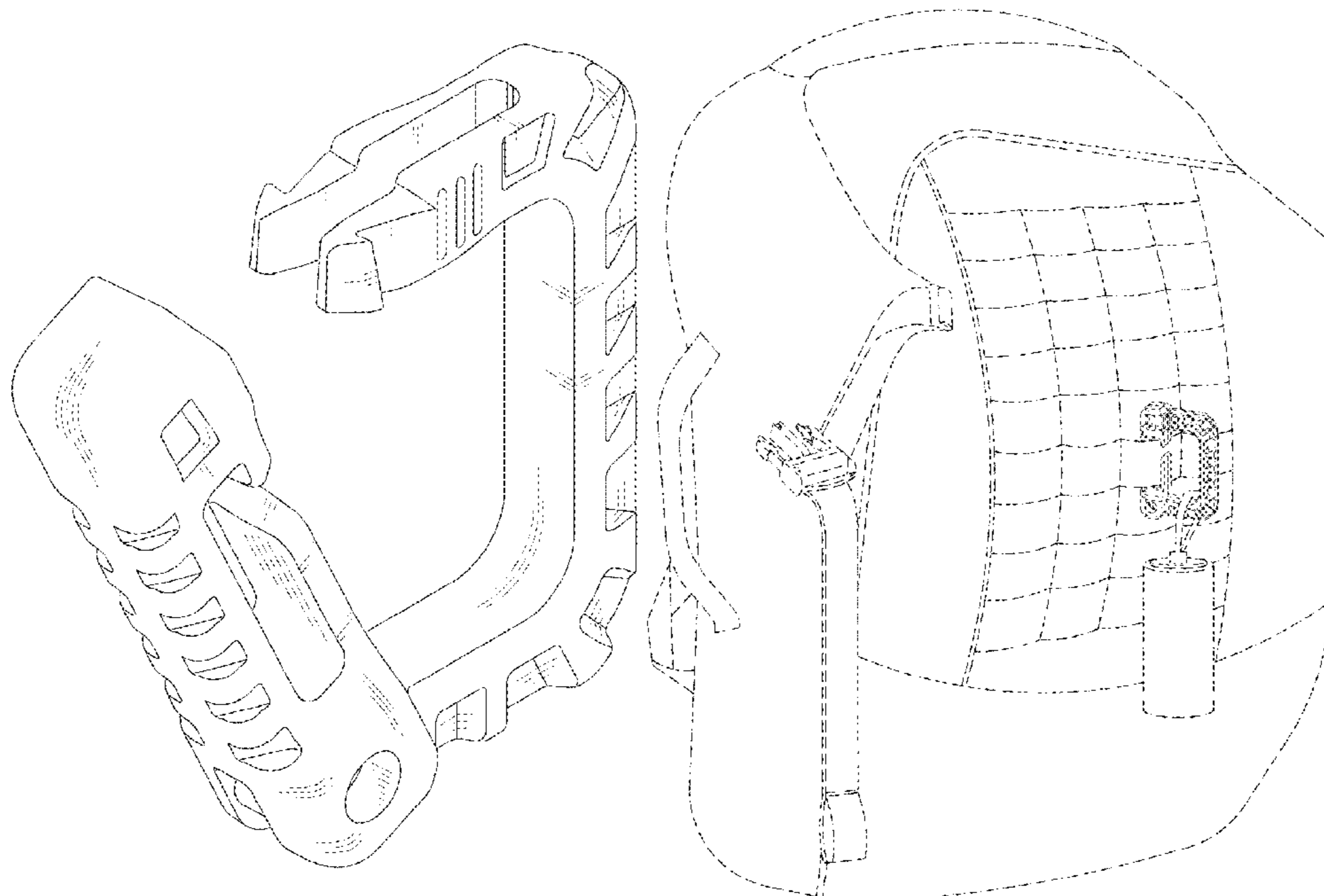


FIG. 1

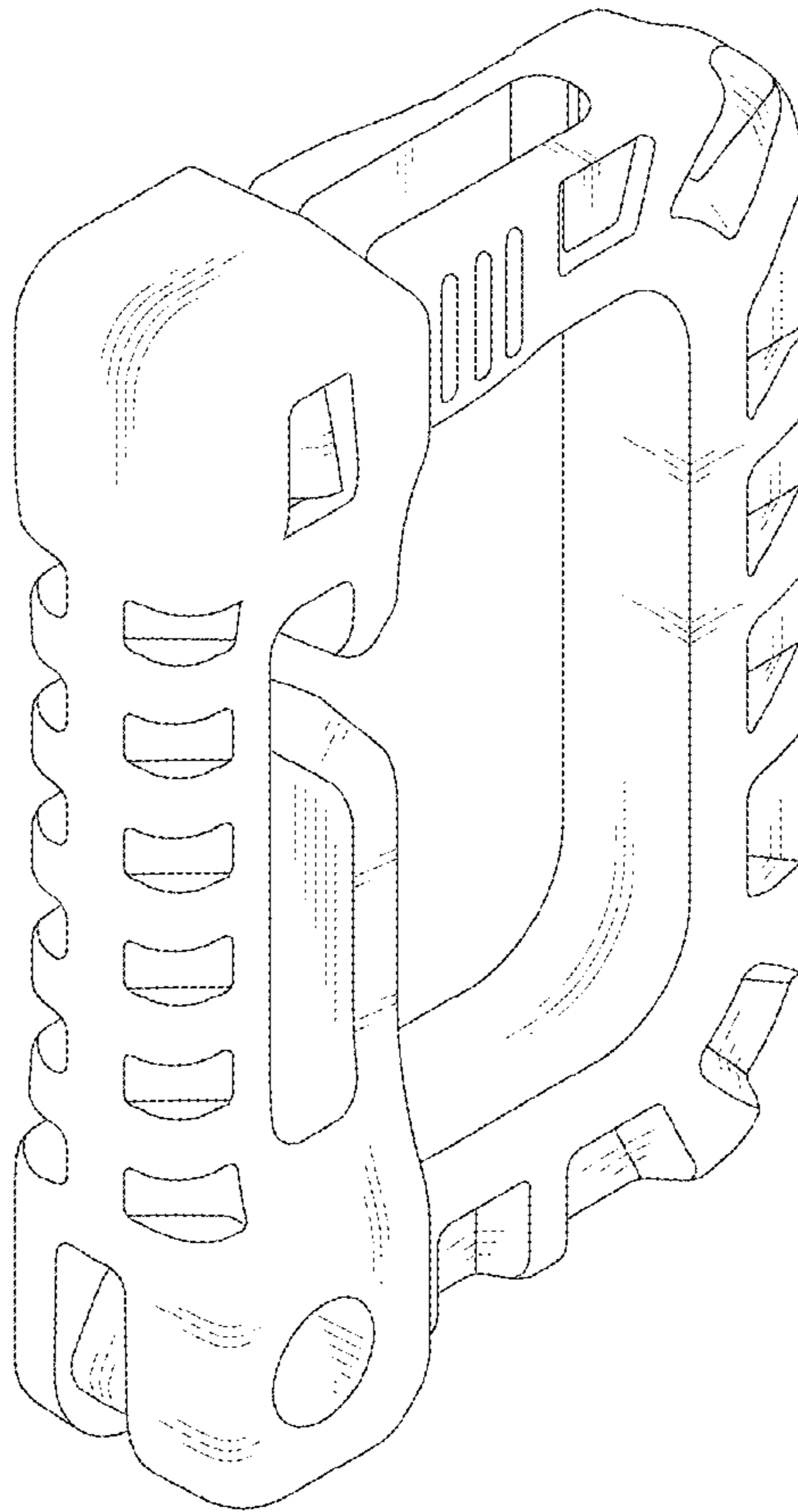


FIG. 2

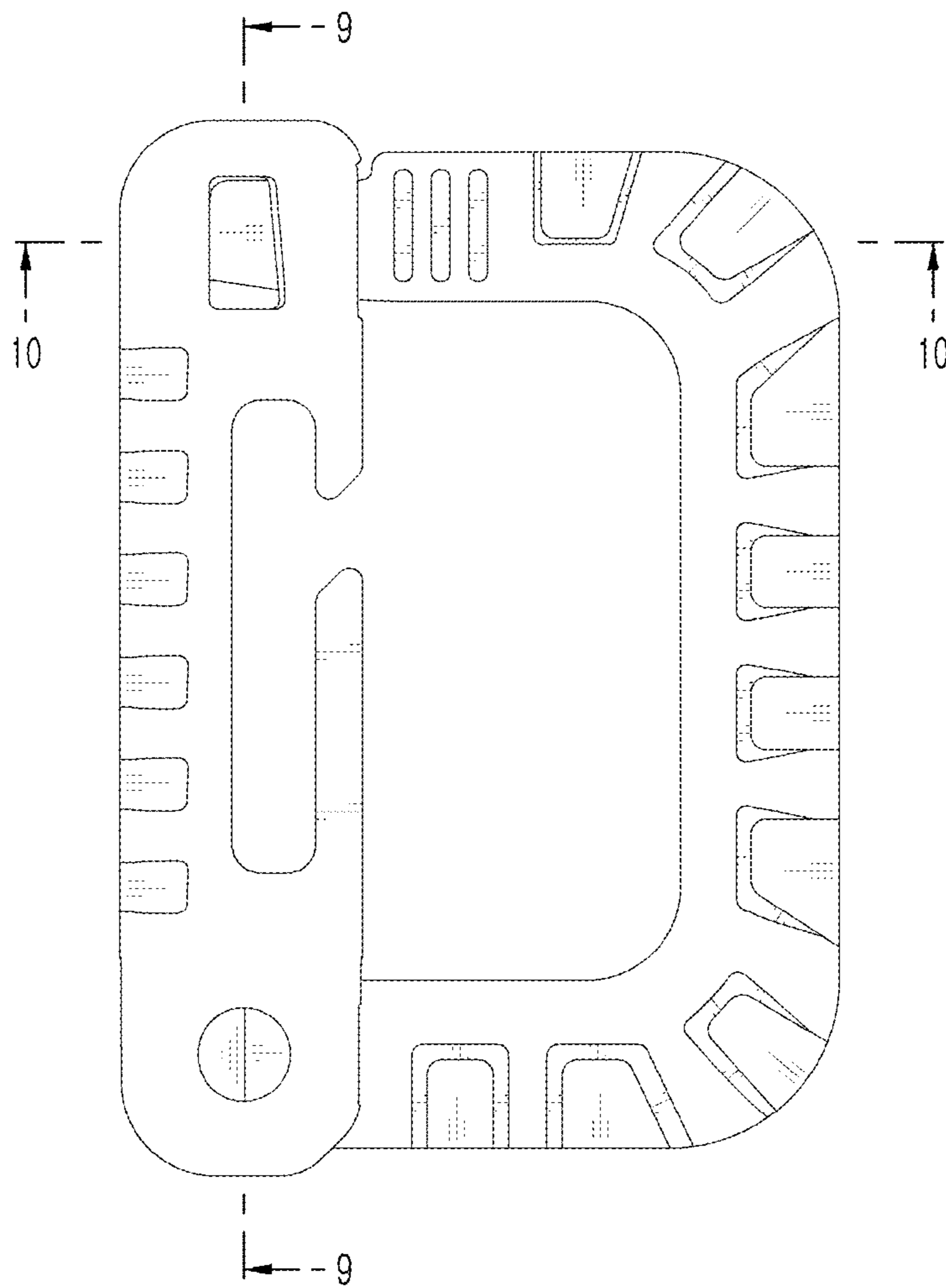


FIG. 3

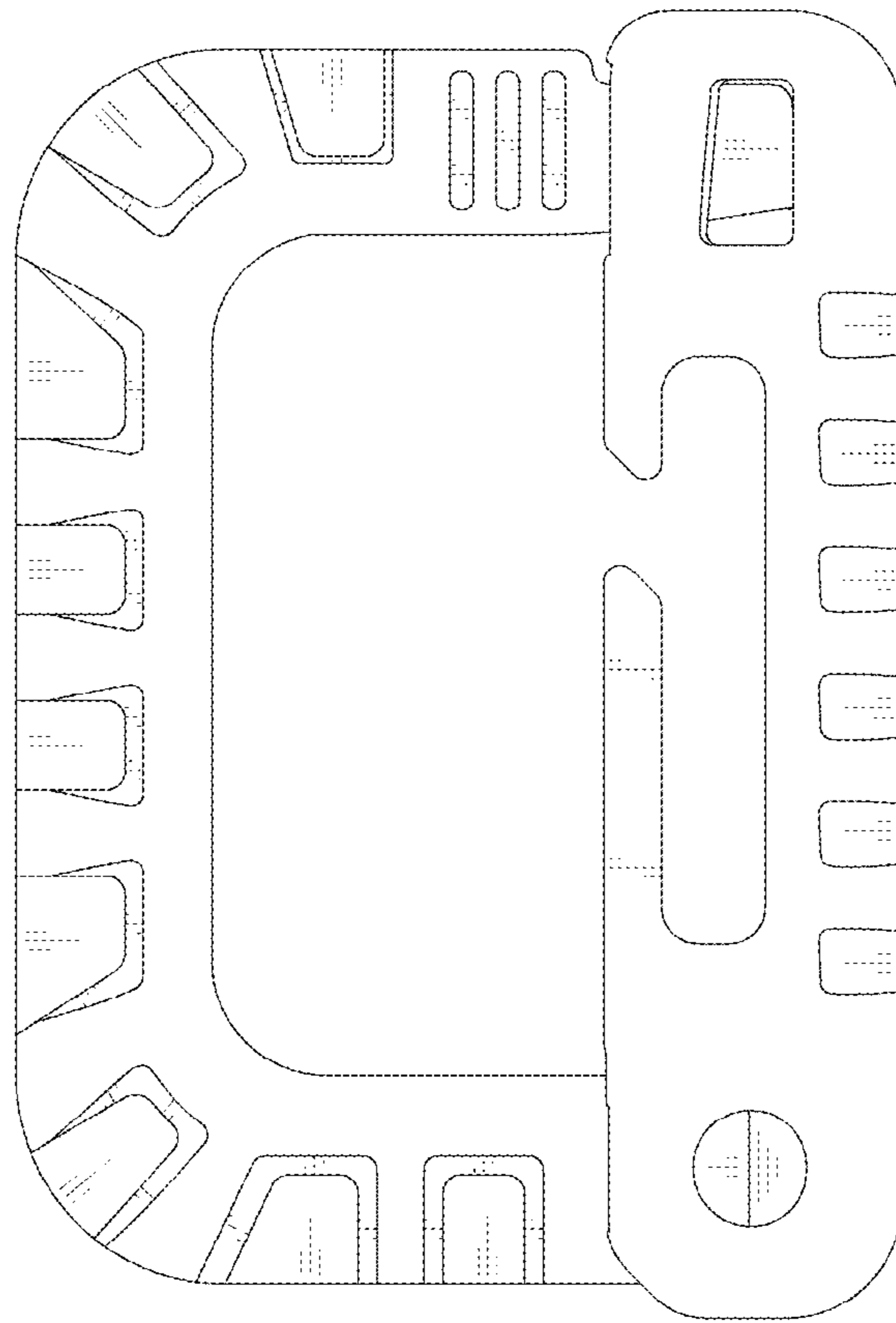


FIG. 4

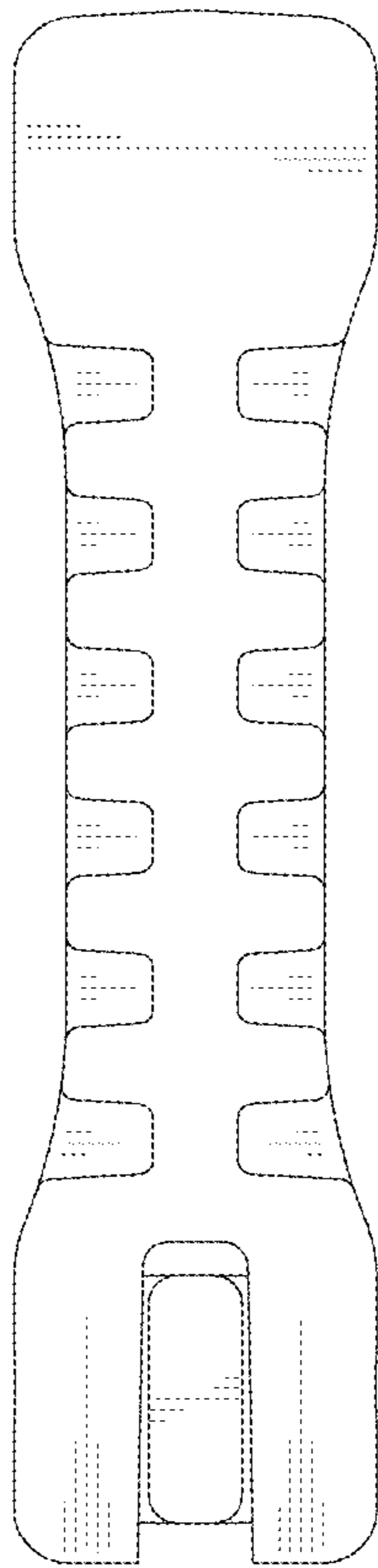


FIG. 5

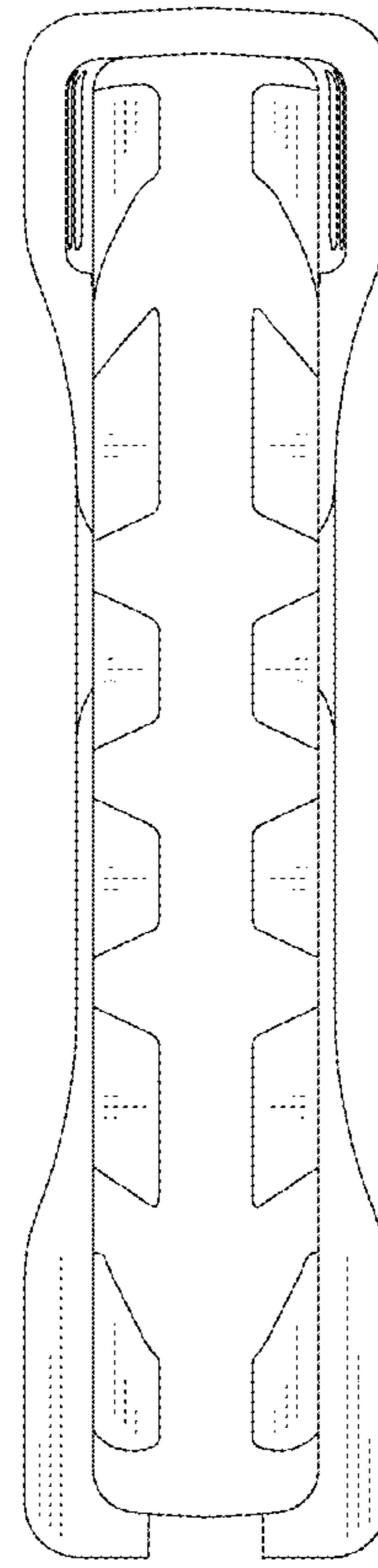


FIG. 6

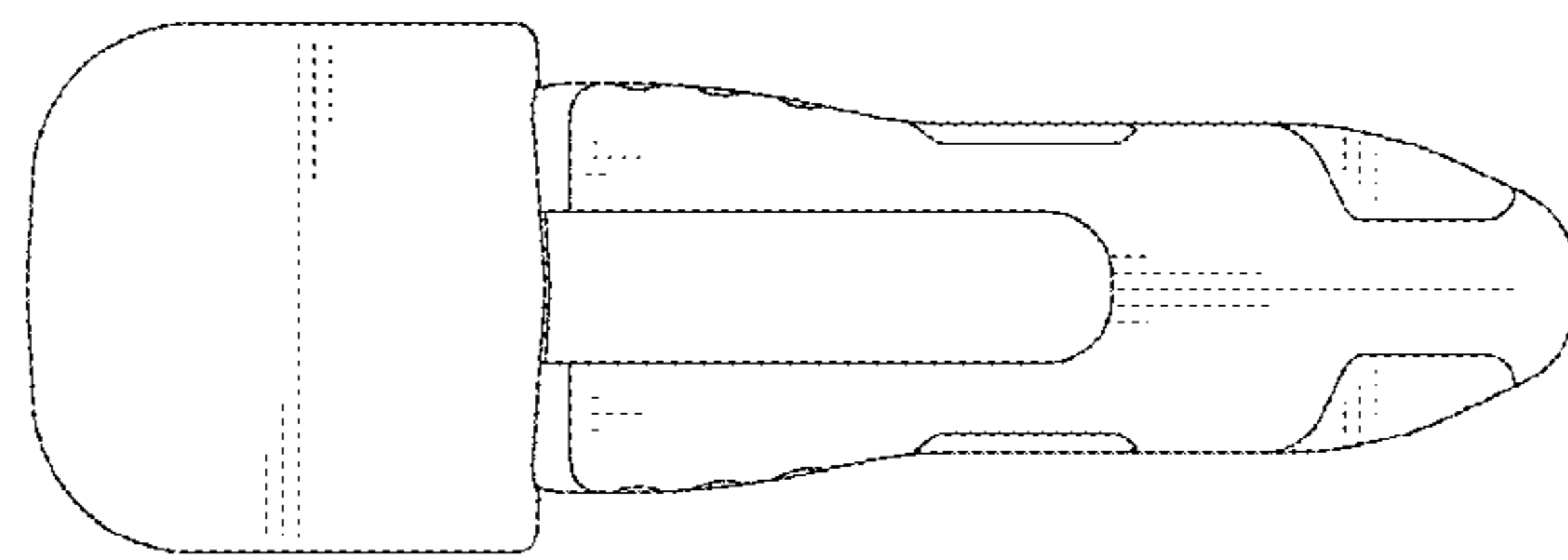


FIG. 7

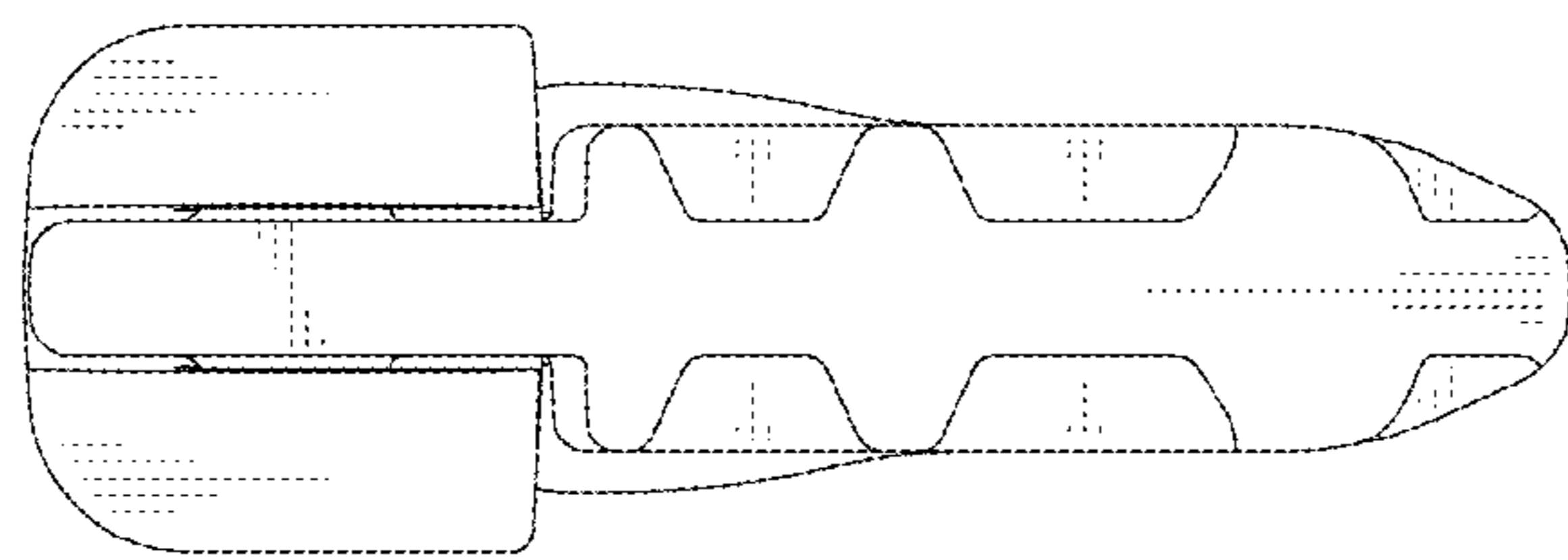


FIG. 8

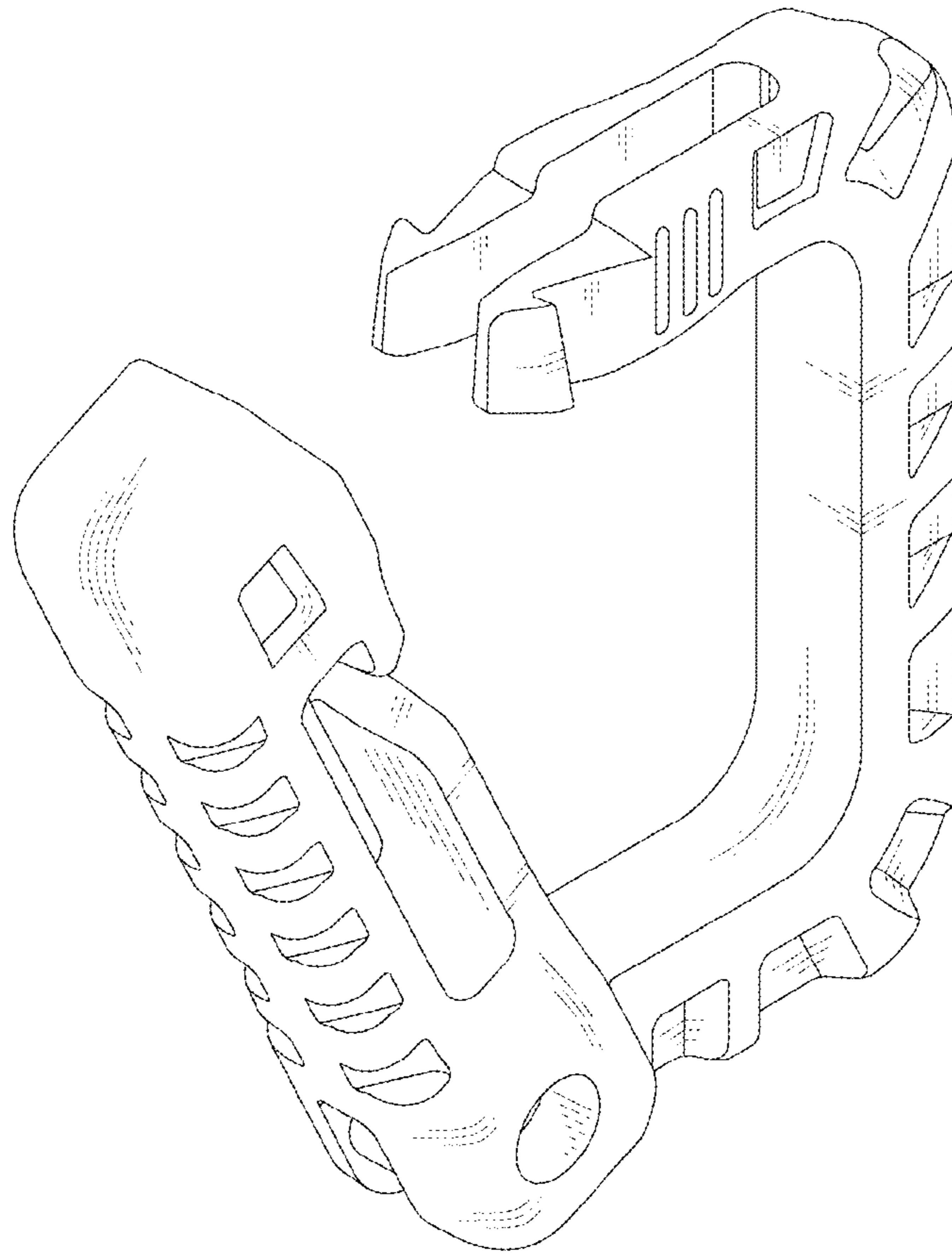


FIG. 9

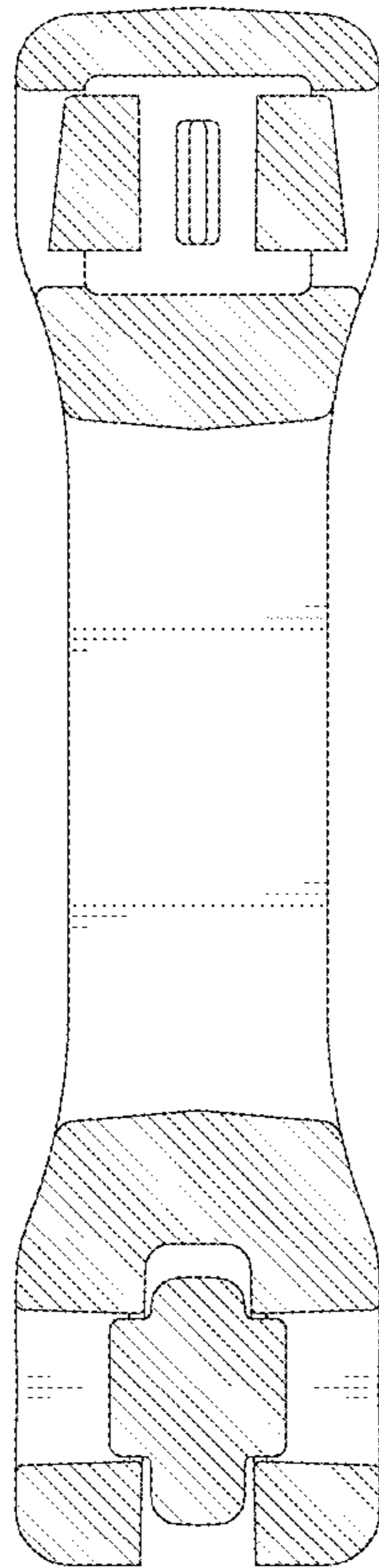


FIG. 10

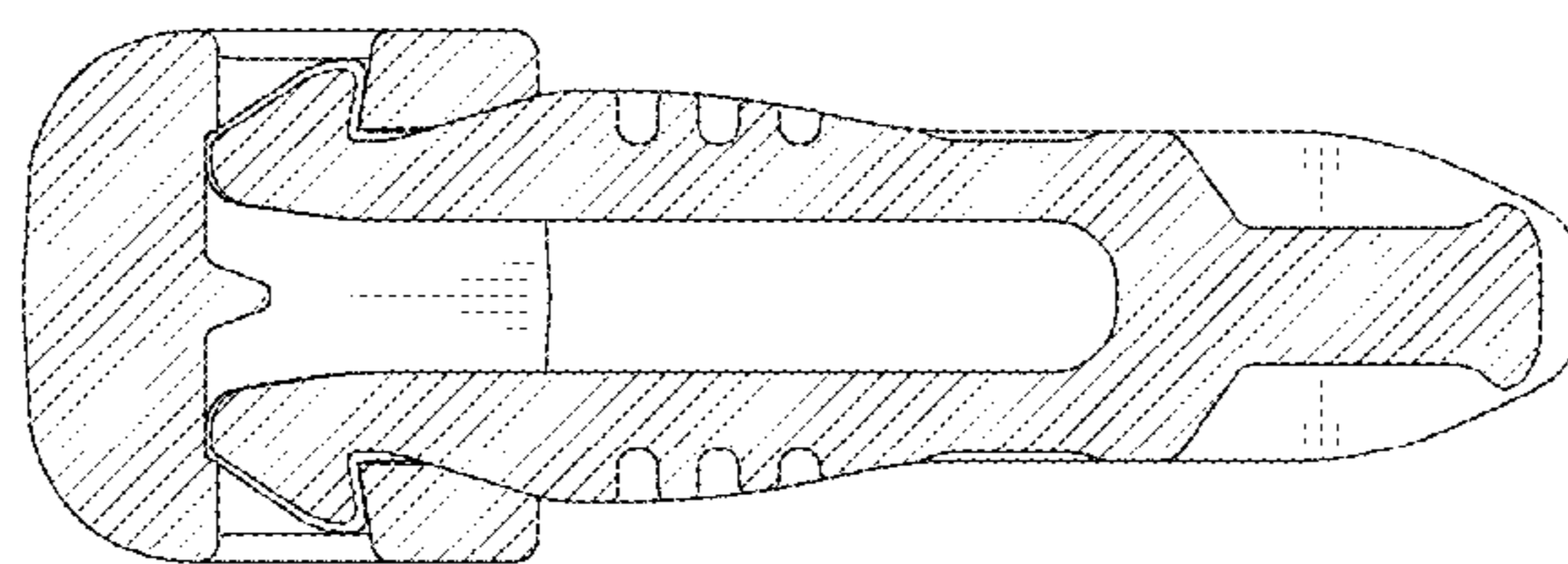


FIG. 11

