



US00D949661S

(12) **United States Design Patent** (10) **Patent No.:** **US D949,661 S**  
**Para** (45) **Date of Patent:** **\*\* Apr. 26, 2022**

(54) **PULL**

(71) Applicant: **DELTA FAUCET COMPANY,**  
Indianapolis, IN (US)

(72) Inventor: **Lauren Para,** Lisle, IL (US)

(73) Assignee: **DELTA FAUCET COMPANY,**  
Indianapolis, IN (US)

(\*\*) Term: **15 Years**

(21) Appl. No.: **29/763,352**

(22) Filed: **Dec. 22, 2020**

(51) **LOC (13) Cl.** ..... **08-06**

(52) **U.S. Cl.**  
USPC ..... **D8/319**

(58) **Field of Classification Search**  
USPC ..... D8/300, 305, 307, 310, 311, 313,  
D8/314-319, 393; D7/393  
CPC ... Y10T 292/57; Y10T 292/82; Y10T 16/469;  
Y10T 16/44; Y10T 16/506; Y10T 292/85;  
Y10T 16/458; Y10T 74/2084; Y10T  
16/46; Y10T 16/459; Y10T 74/20732;  
Y10T 292/03; Y10T 16/4713; Y10T  
16/466; Y10T 292/88; Y10T 29/49599;  
Y10T 16/487; Y10T 16/462; Y10T  
16/4636; Y10T 74/20864; Y10T 70/5155;  
Y10T 16/4559; Y10T 292/0951; Y10T  
292/0891; Y10T 292/0934; Y10T  
292/0968; E05B 1/0007; E05B 1/0015;  
E05B 79/06; E05B 85/10; E05B 1/0053;  
E05B 55/005; E05B 1/00; E05B 85/107;  
E05B 3/00

See application file for complete search history.

(56) **References Cited**

U.S. PATENT DOCUMENTS

1,606,600	A	*	11/1926	Richardson	.....	A47B 95/02
						16/416
D186,811	S	*	12/1959	Hillgren	.....	D8/316
D188,654	S	*	8/1960	Otto	.....	D8/317
D395,376	S	*	6/1998	Montgelard	.....	D7/393
D505,312	S	*	5/2005	Bacon	.....	D8/310
D662,389	S	*	6/2012	Hauber	.....	D8/319
D718,574	S	*	12/2014	Nordwall	.....	D7/402
D881,674	S	*	4/2020	Bertani	.....	D8/313

\* cited by examiner

*Primary Examiner* — Lauren R Calve

(74) *Attorney, Agent, or Firm* — Nirav D. Parikh; Edgar  
A. Zarins

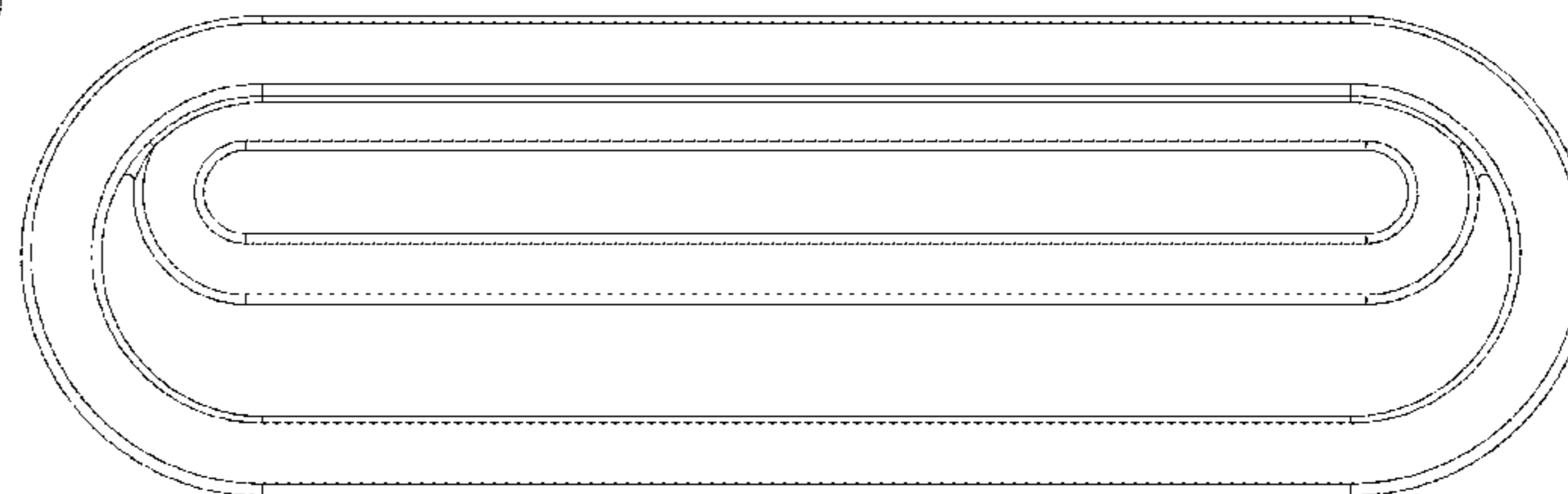
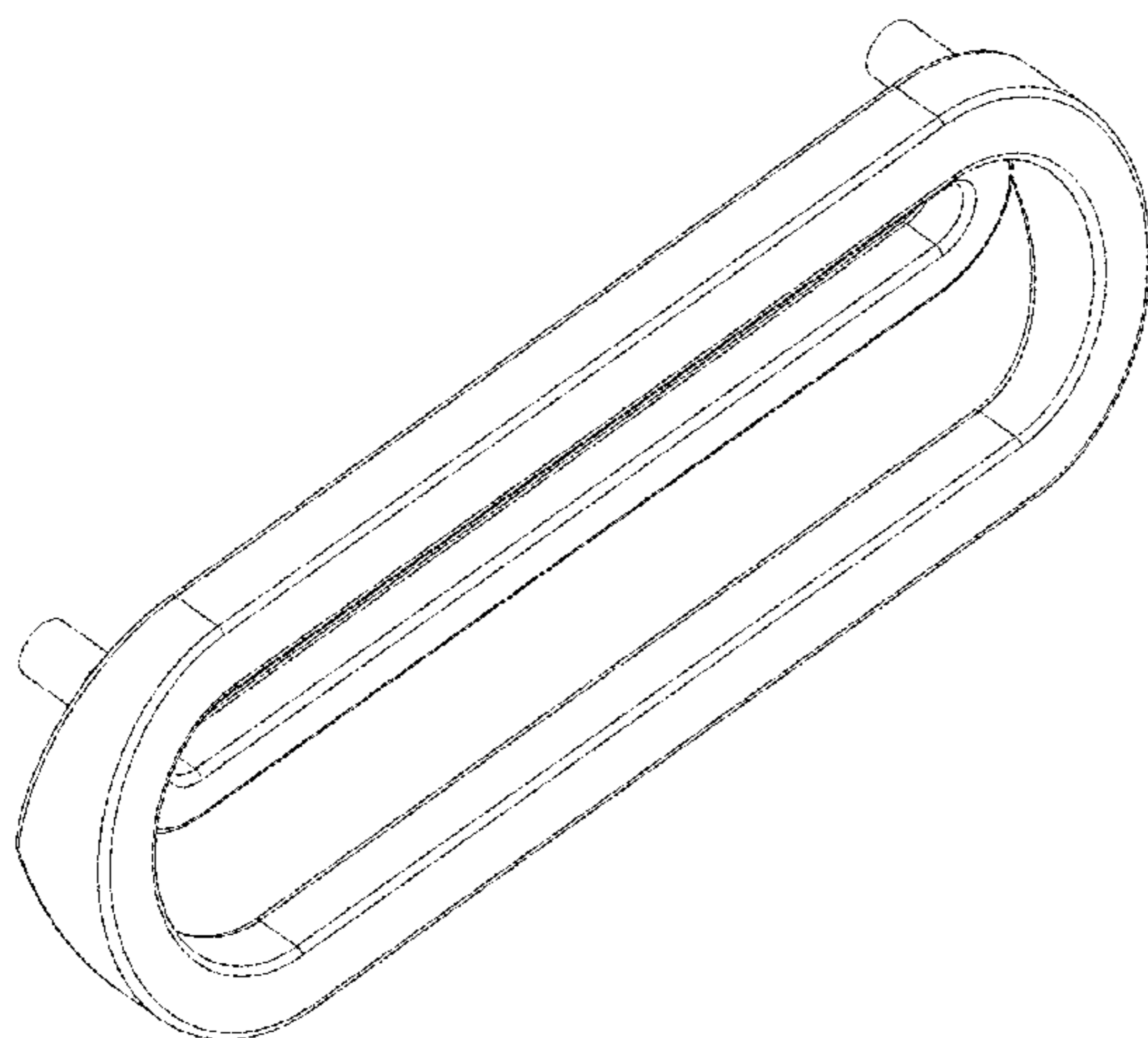
(57) **CLAIM**

The ornamental design for a pull, as shown and described.

**DESCRIPTION**

FIG. 1 is a front perspective view of a pull showing my new design;  
FIG. 2 is a rear perspective view thereof;  
FIG. 3 is a front elevational view thereof;  
FIG. 4 is a left side view thereof;  
FIG. 5 is a rear view thereof;  
FIG. 6 is a right side view thereof;  
FIG. 7 is a top plan view thereof; and,  
FIG. 8 is a bottom view thereof.

**1 Claim, 4 Drawing Sheets**



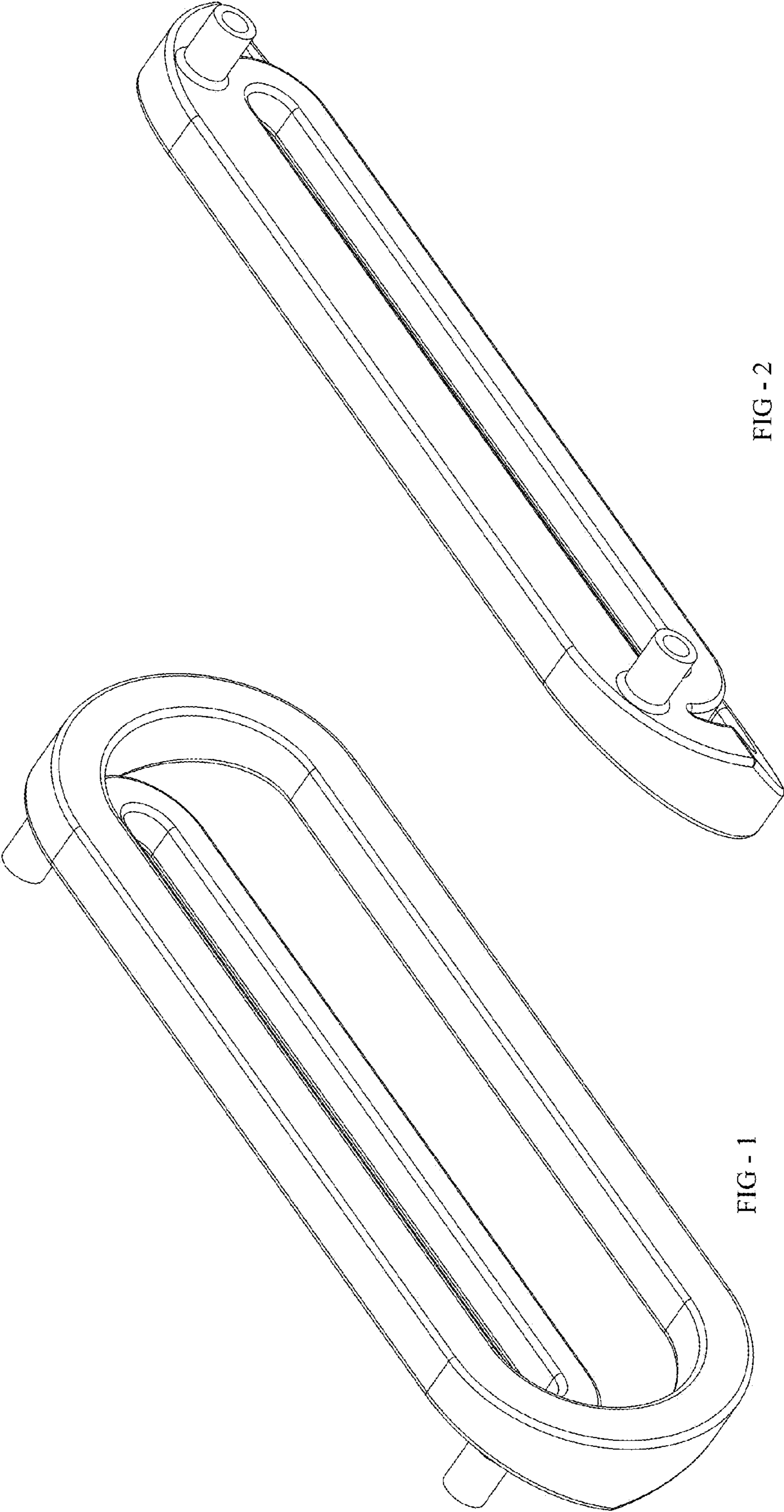


FIG - 2

FIG - 1

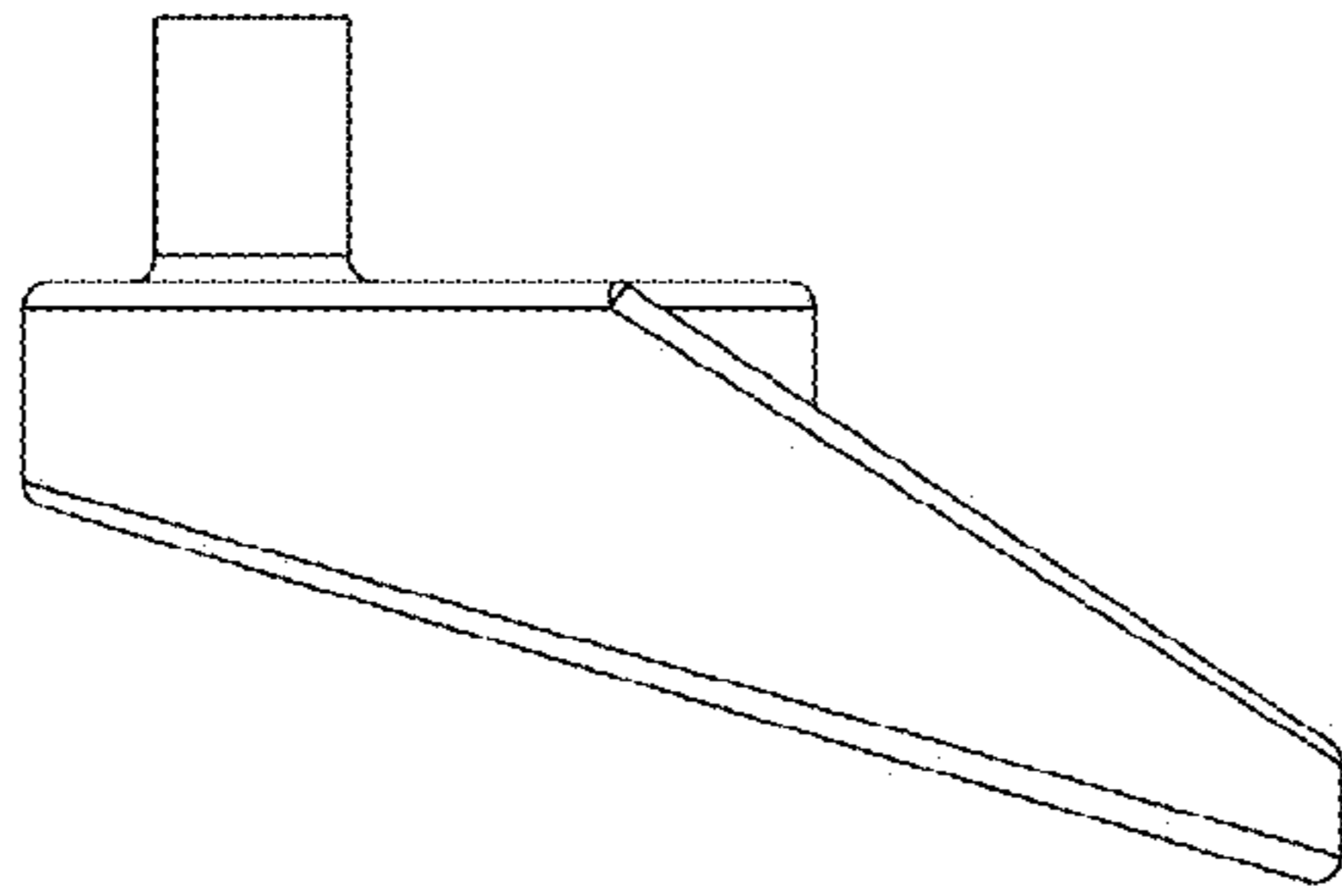


FIG - 4

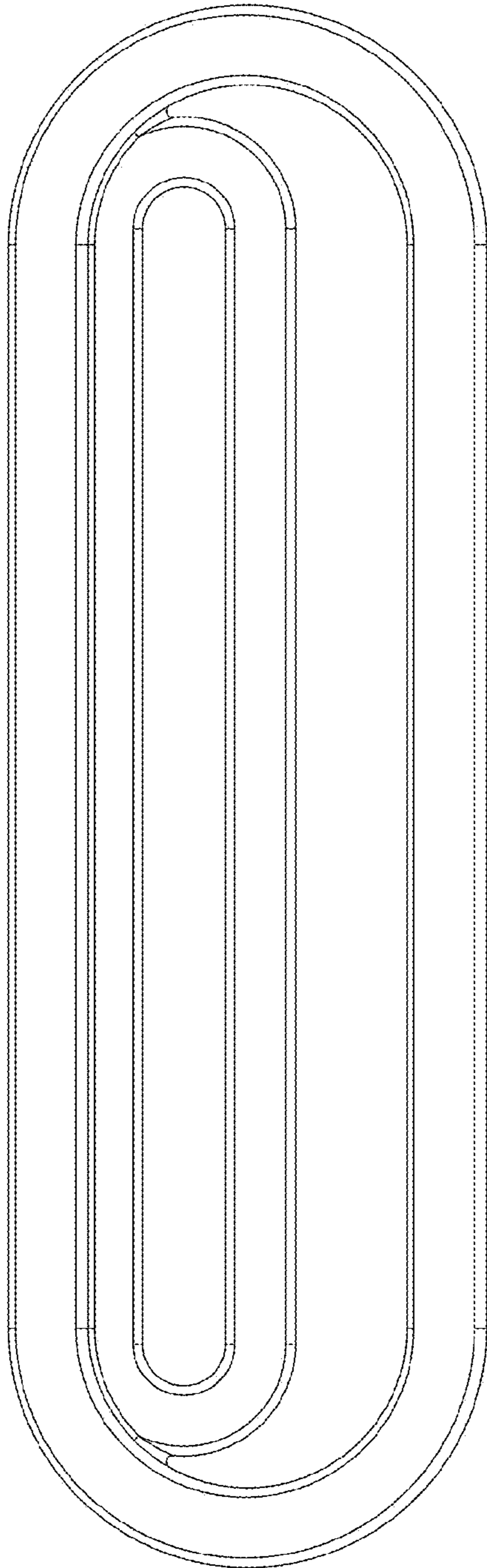


FIG - 3

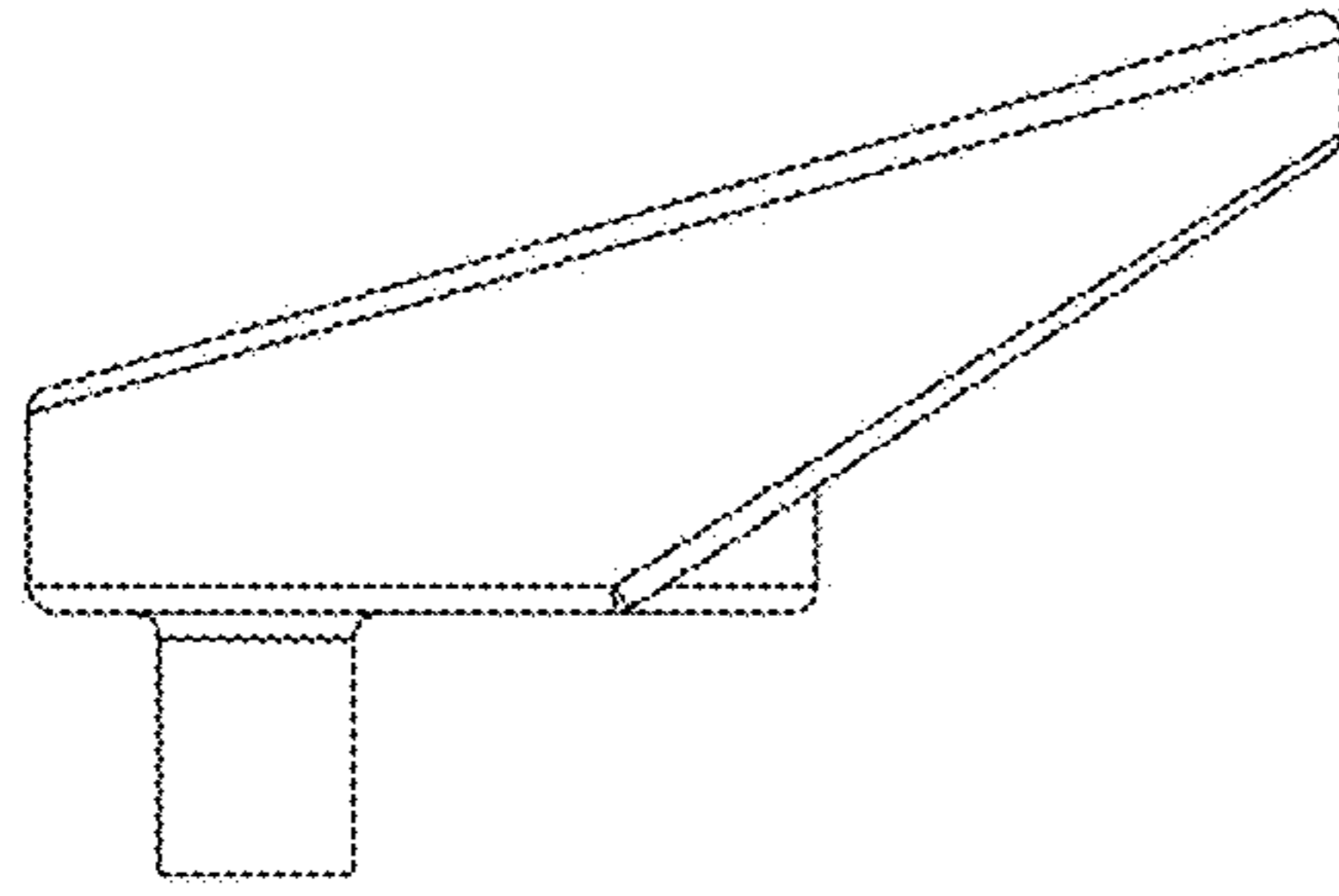


FIG - 6

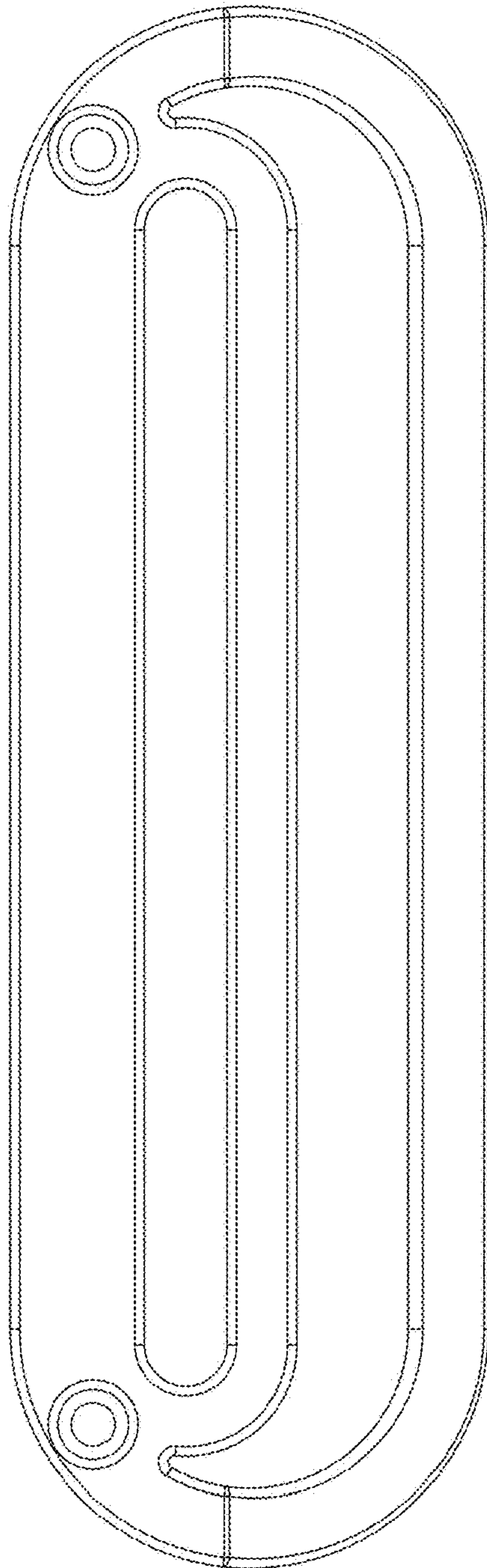


FIG - 5

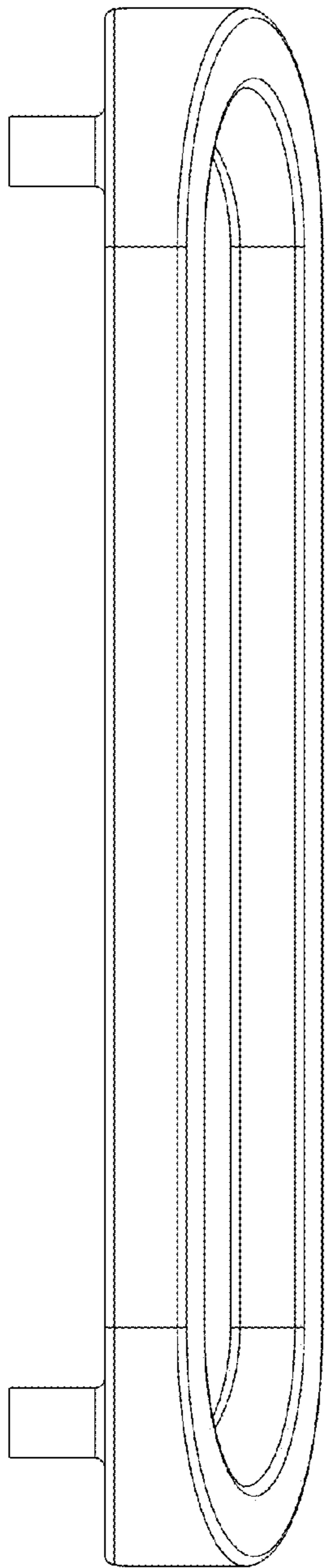


FIG - 7

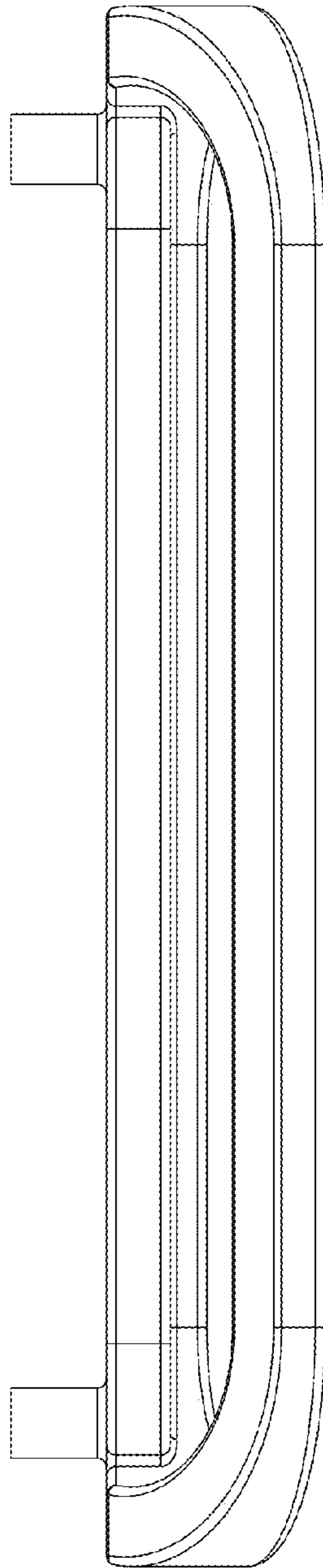


FIG - 8