



US00D949658S

(12) **United States Design Patent**
Chen

(10) **Patent No.:** **US D949,658 S**

(45) **Date of Patent:** **** Apr. 26, 2022**

(54) **KNIFE SHARPENER**

(71) Applicant: **Siping Chen**, Ningbo (CN)

(72) Inventor: **Siping Chen**, Ningbo (CN)

(**) Term: **15 Years**

(21) Appl. No.: **29/732,670**

(22) Filed: **Apr. 27, 2020**

(30) **Foreign Application Priority Data**

Jan. 8, 2020 (CN) 202030011194.1

(51) **LOC (13) Cl.** **08-05**

(52) **U.S. Cl.**
USPC **D8/93**

(58) **Field of Classification Search**
USPC D8/63, 90, 91, 92, 93
CPC B24B 3/54; B24B 3/36; B24B 3/58; B24B
3/00; B24B 23/08; B24D 15/00; B24D
15/06; B24D 15/063; B24D 15/08; B24D
15/081

See application file for complete search history.

(56) **References Cited**

U.S. PATENT DOCUMENTS

D470,382 S * 2/2003 Kurz D8/93
D603,679 S * 11/2009 Smith D8/93

D624,799 S * 10/2010 De Bretton Gordon D8/93
D640,116 S * 6/2011 Smith D8/93
D640,523 S * 6/2011 Stutz D8/93
D640,909 S * 7/2011 Stutz D8/93
D680,846 S * 4/2013 Smith D8/93
D876,199 S * 2/2020 Zhu D8/93
D894,710 S * 9/2020 Li D8/93
D929,200 S * 8/2021 Huagn D8/93

* cited by examiner

Primary Examiner — Philip S Hyder

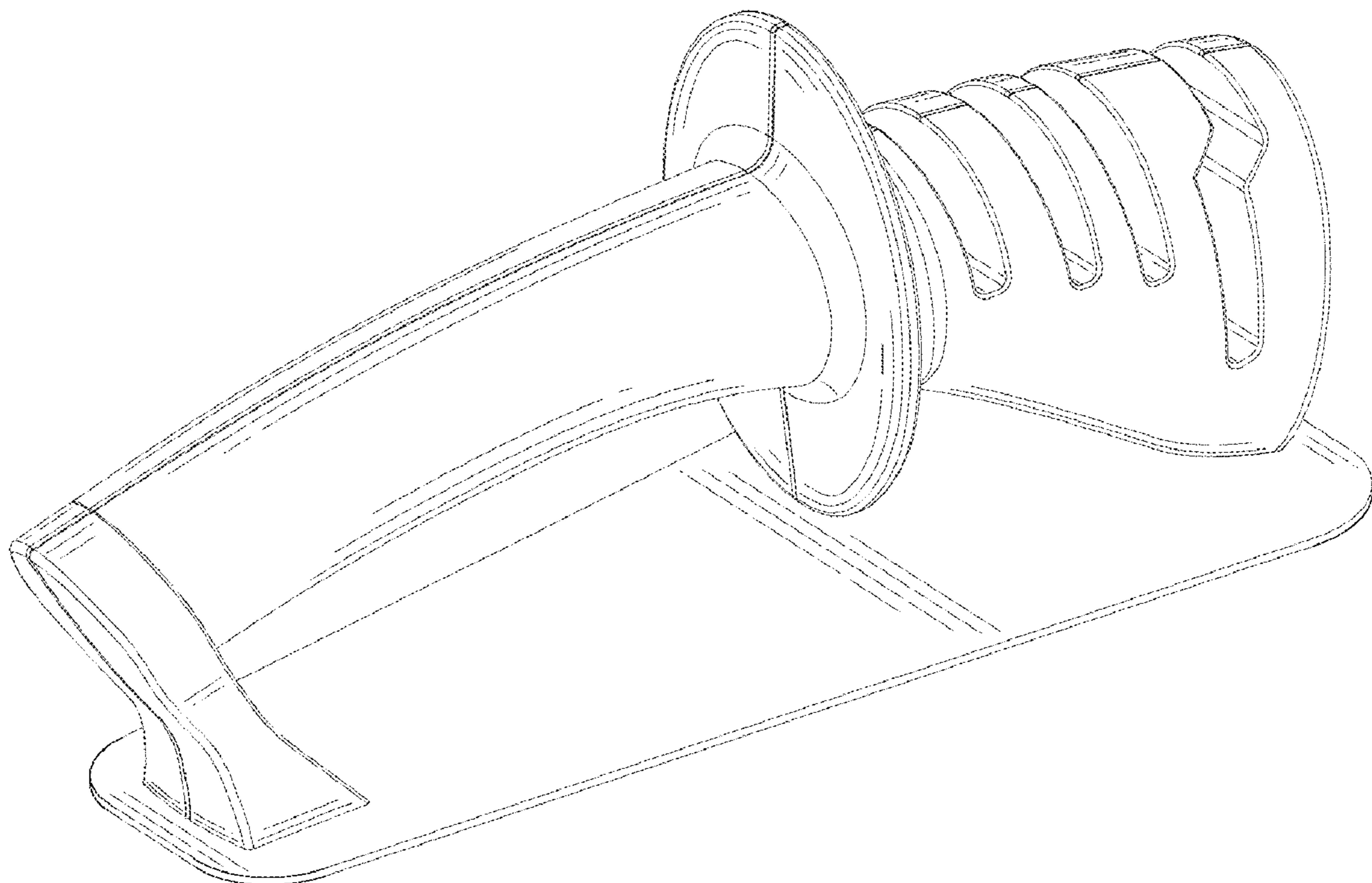
(57) **CLAIM**

The ornamental design for a knife sharpener, as shown and described.

DESCRIPTION

FIG. 1 is a perspective view of a knife sharpener showing my new design;
FIG. 2 is another perspective view thereof;
FIG. 3 is a front elevation view thereof;
FIG. 4 is a back elevation view thereof;
FIG. 5 is an enlarged left side view thereof;
FIG. 6 is an enlarged right side view thereof;
FIG. 7 is a top plan view thereof; and,
FIG. 8 is a bottom plan view thereof.

1 Claim, 8 Drawing Sheets



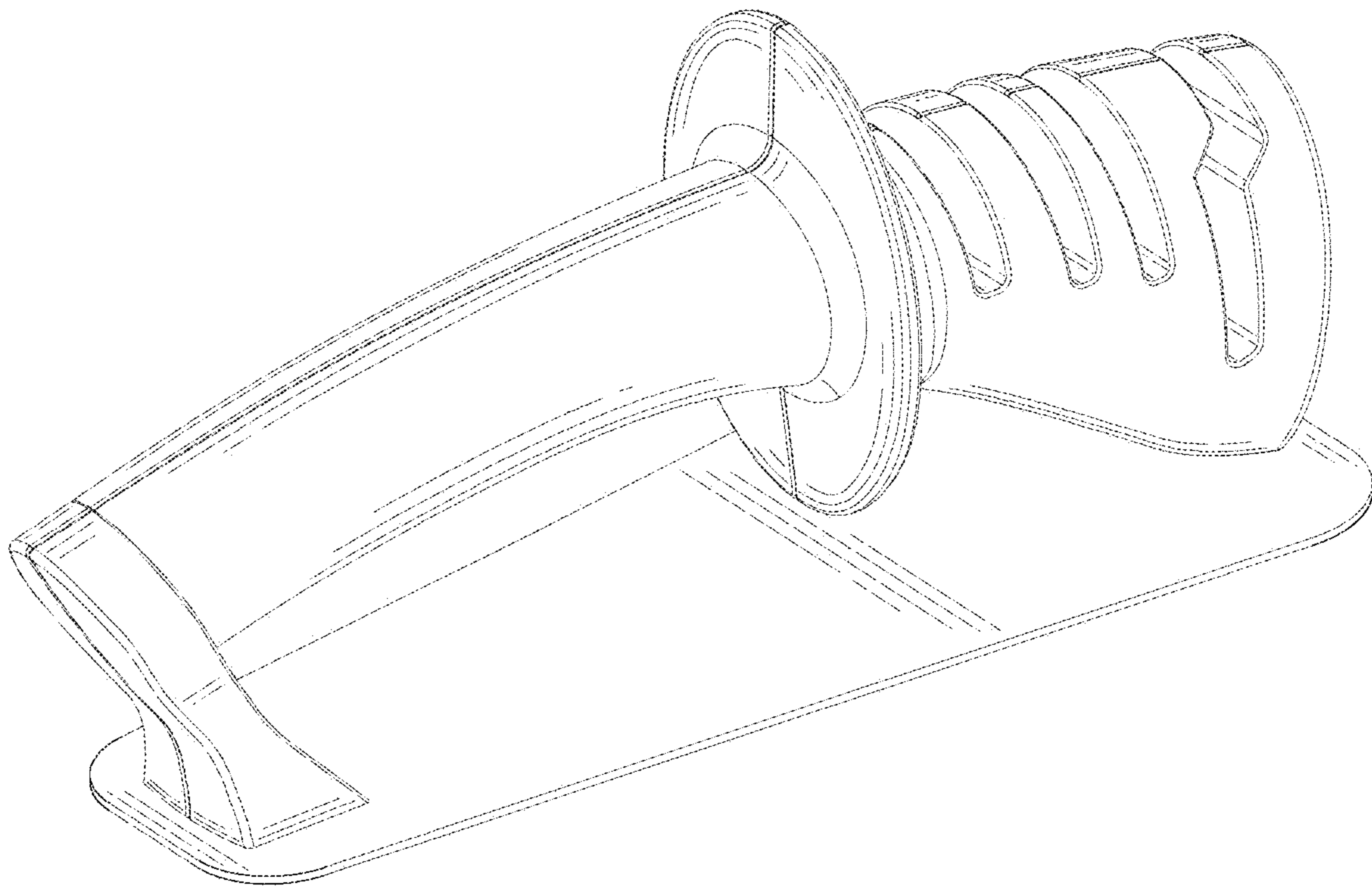


FIG. 1

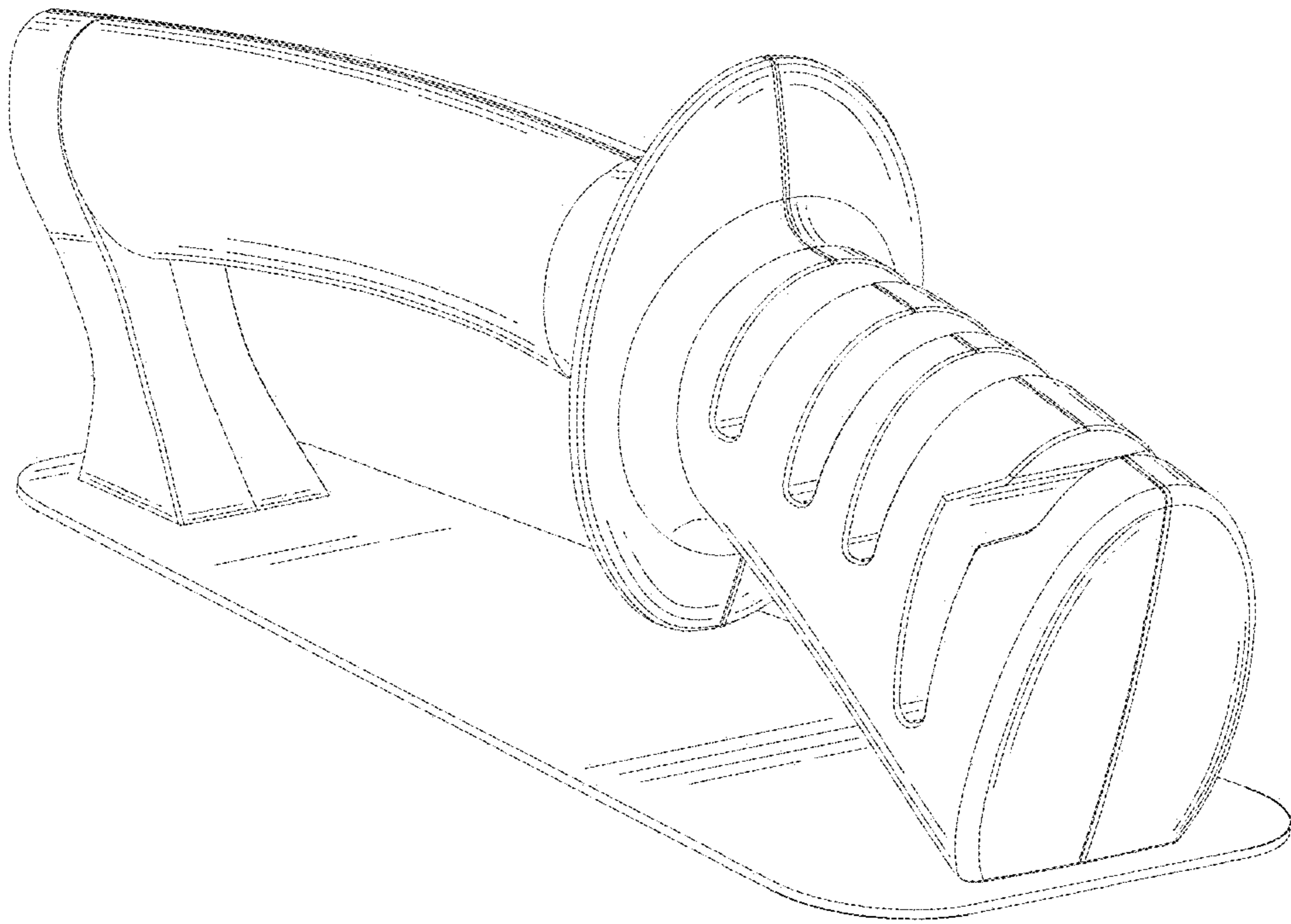


FIG. 2

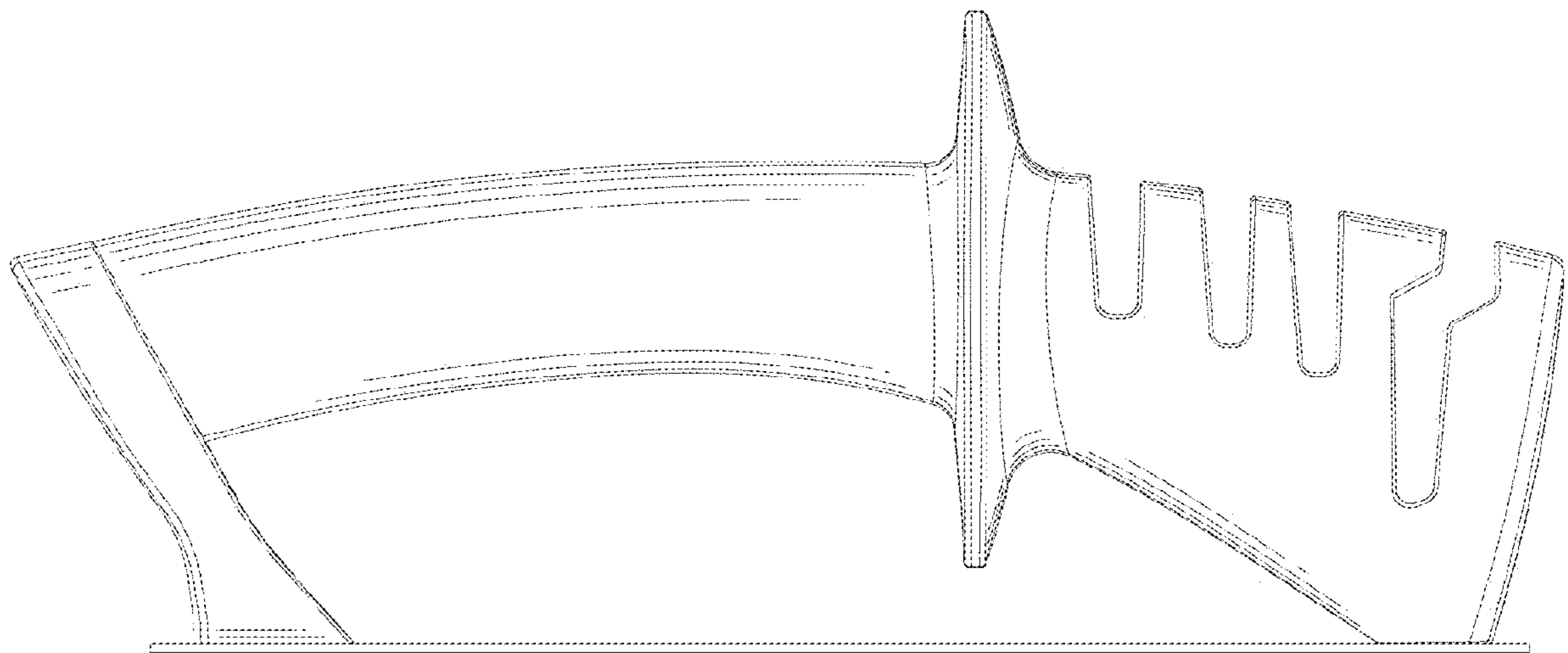


FIG. 3

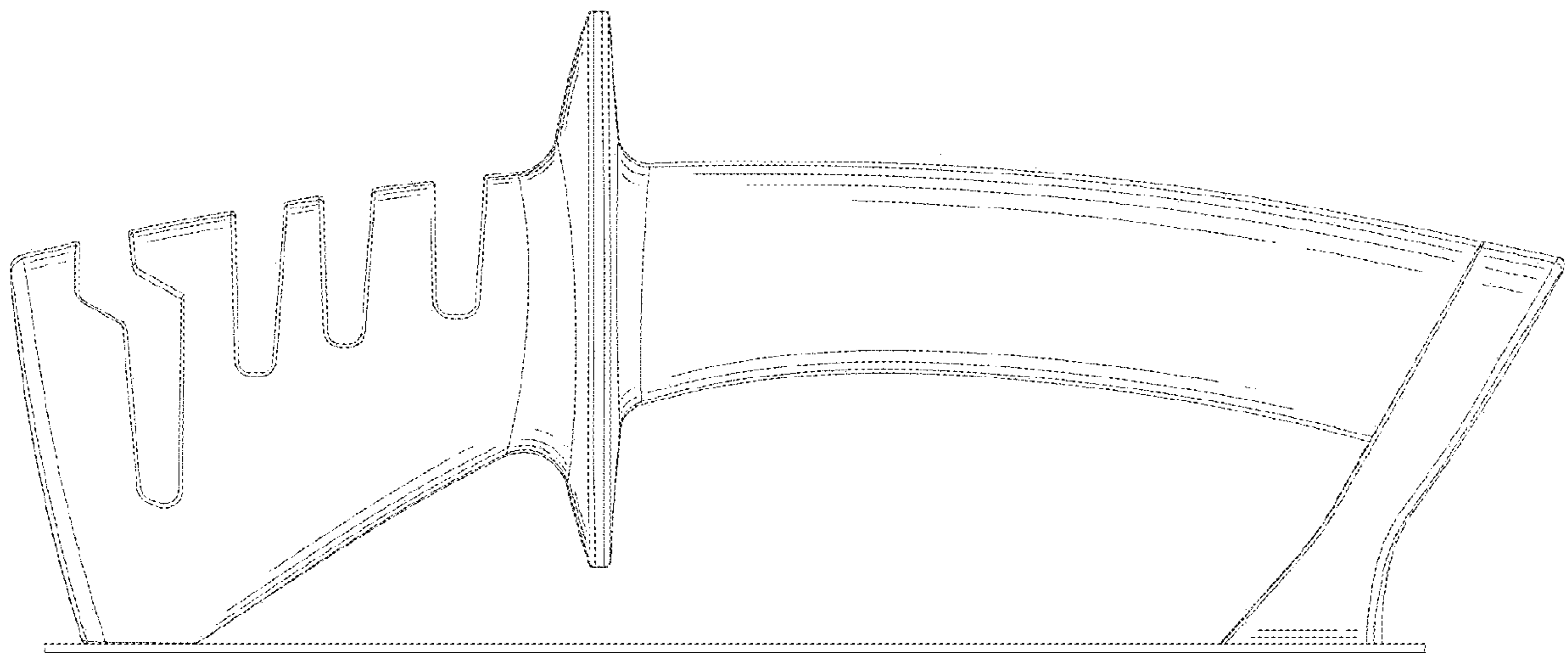


FIG. 4

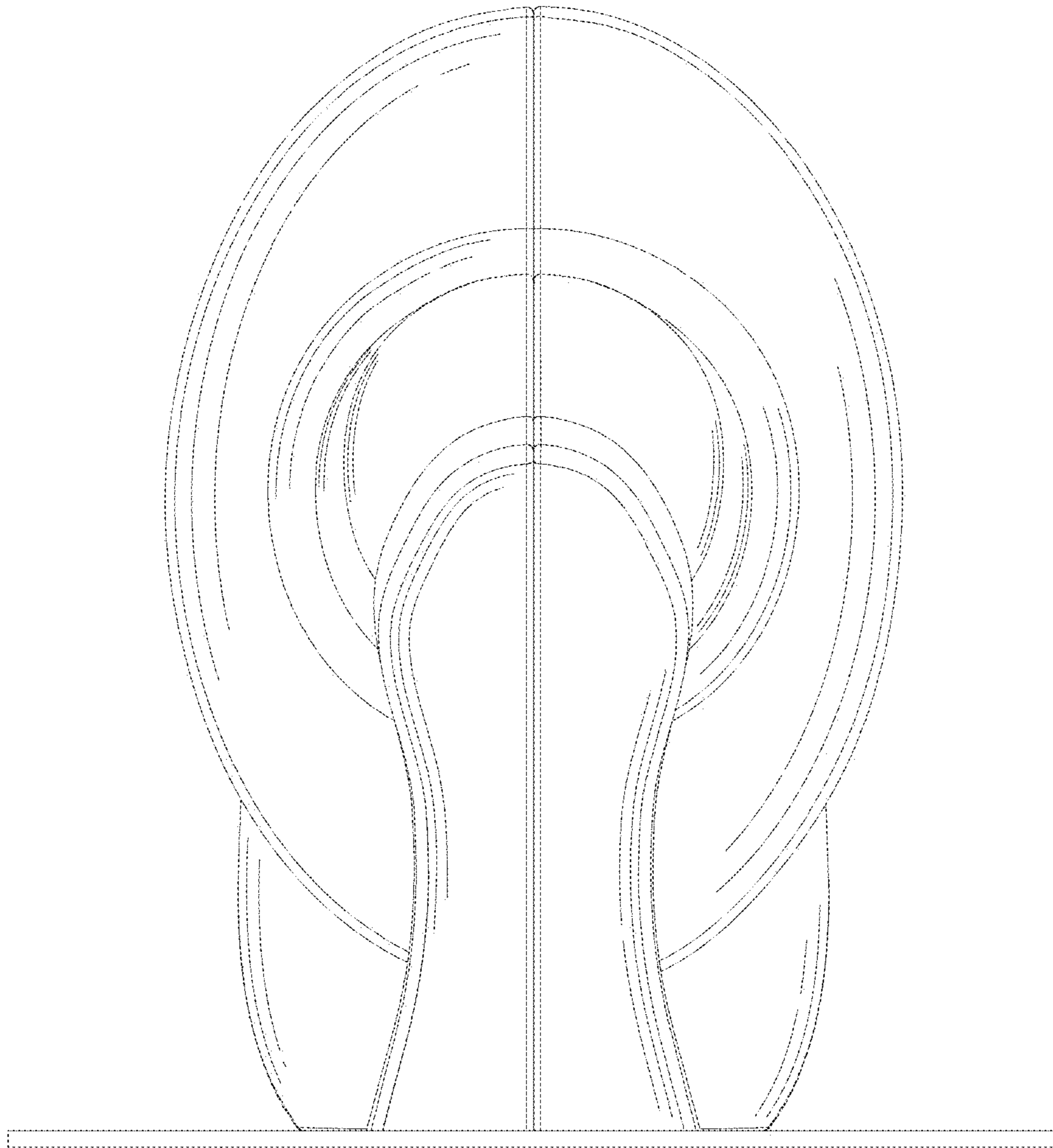


FIG. 5

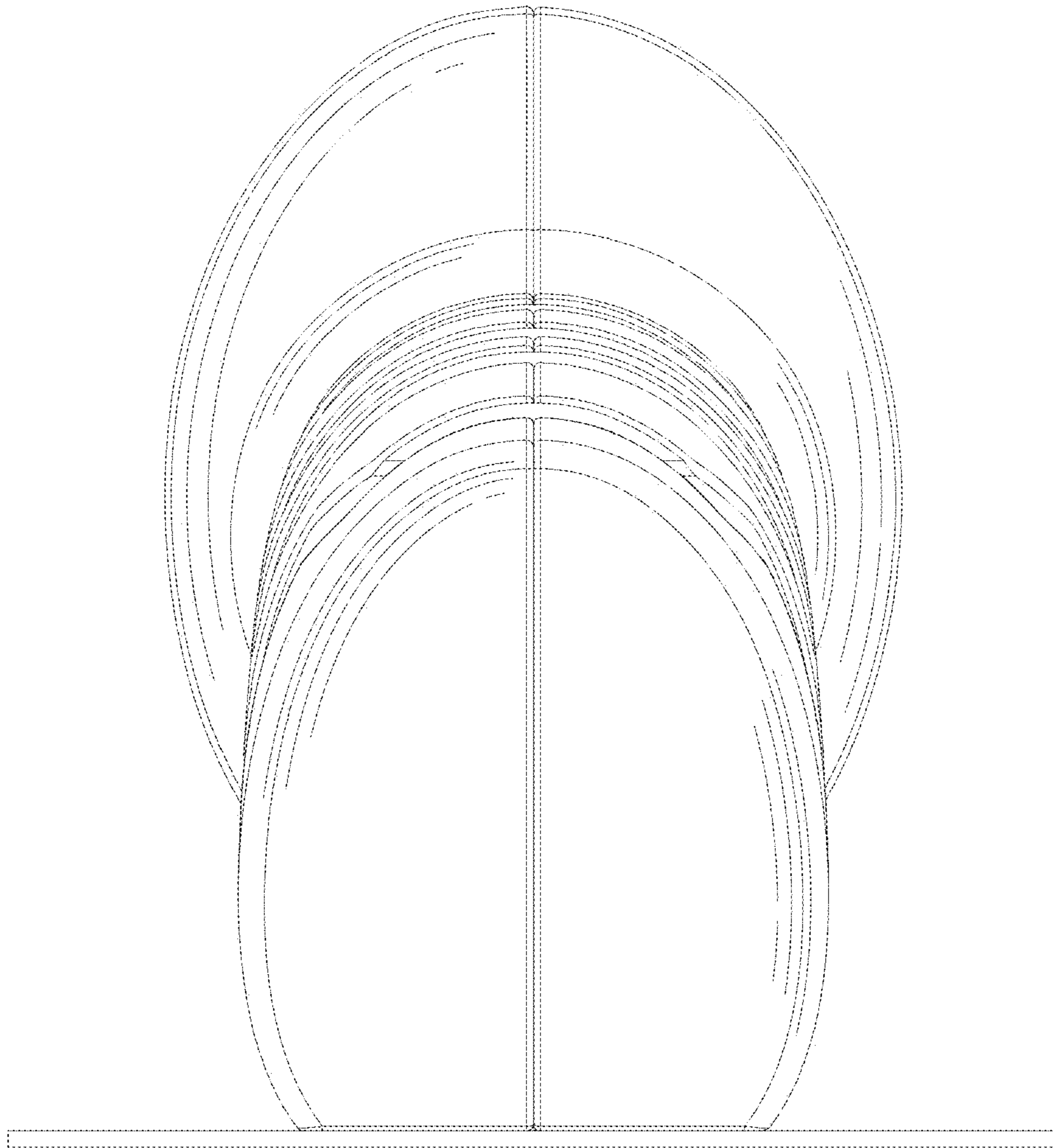


FIG. 6

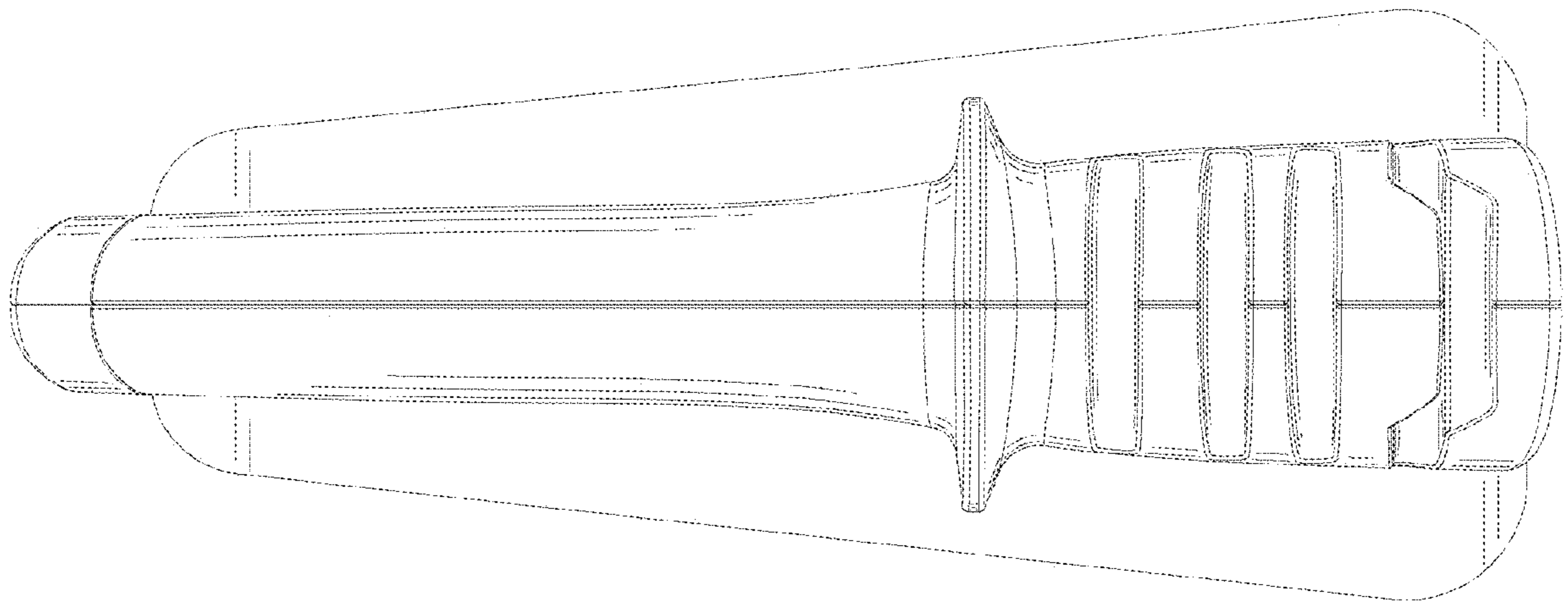


FIG. 7

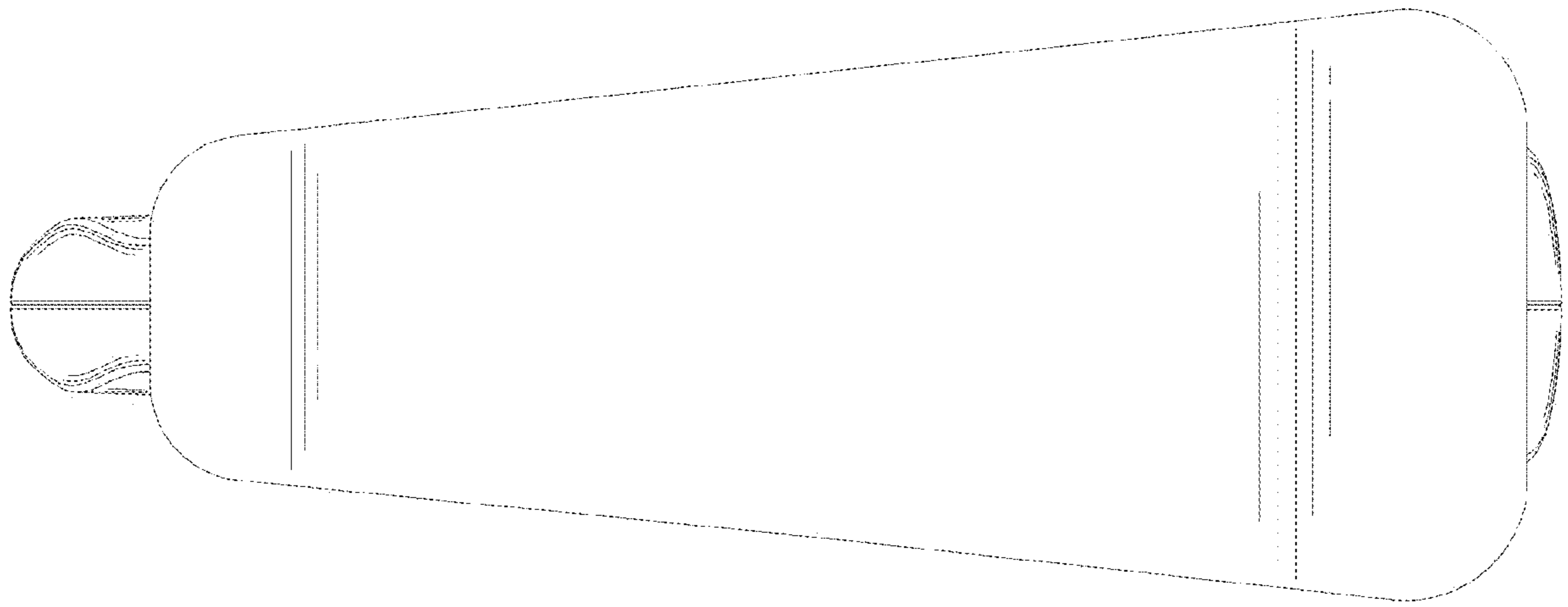


FIG. 8