



US00D949657S

(12) **United States Design Patent**  
**Gou**

(10) **Patent No.:** **US D949,657 S**  
(45) **Date of Patent:** **\*\* Apr. 26, 2022**

- (54) **SOLDERING IRON HOLDER**
- (71) Applicant: **Guangzhou Yihua Electronic Equipment Co., Ltd., Guangdong (CN)**
- (72) Inventor: **Mingkang Gou, Guangdong (CN)**
- (73) Assignee: **Guangzhou Yihua Electronic Equipment Co., Ltd., Guangdong (CN)**
- (\*\*) Term: **15 Years**
- (21) Appl. No.: **29/748,330**
- (22) Filed: **Aug. 28, 2020**
- (30) **Foreign Application Priority Data**  
Apr. 27, 2020 (CN) ..... ZL202030181276.0  
Apr. 27, 2020 (CN) ..... ZL202030457147.X
- (51) **LOC (13) Cl.** ..... **08-05**
- (52) **U.S. Cl.**  
USPC ..... **D8/71**
- (58) **Field of Classification Search**  
USPC ..... D8/30, 71, 499  
CPC ..... B23K 3/027; B23K 3/0615; B23K 3/08  
See application file for complete search history.

- (56) **References Cited**  
**U.S. PATENT DOCUMENTS**  
4,762,979 A \* 8/1988 Geoffroi ..... B23K 3/027  
269/254 R  
D308,932 S \* 7/1990 Straub ..... D8/14.1  
5,054,106 A \* 10/1991 Fortune ..... B23K 1/012  
219/230  
D413,502 S \* 9/1999 Chang ..... D8/71  
D533,042 S \* 12/2006 Loch ..... D8/71  
D542,110 S \* 5/2007 Mochizuki ..... D8/71  
D594,046 S \* 6/2009 Kita ..... D15/144  
D645,319 S \* 9/2011 Hamm ..... D8/74  
9,687,927 B2 \* 6/2017 Stuckey ..... B23K 3/028

- D832,070 S \* 10/2018 Hoang ..... D8/71
- D832,901 S \* 11/2018 Gou ..... D15/144
- D896,857 S \* 9/2020 Gou ..... D8/71
- D902,682 S \* 11/2020 Kita ..... D8/71
- D911,403 S \* 2/2021 Gou ..... D15/144.2
- D937,916 S \* 12/2021 Gou ..... D15/144.2
- 2008/0067164 A1 \* 3/2008 Kuo ..... B23K 3/027  
219/242

(Continued)

**OTHER PUBLICATIONS**

“Hakko 633-01 633 Soldering Iron Holder”, Sep. 26, 2009, Amazon.com, site visited Feb. 22, 2022: <https://www.amazon.com/Hakko-633-01-Iron-Holder-Cleaner/dp/B000TGNWCS> (Year: 2009).\*

(Continued)

*Primary Examiner* — Jack Reickel  
*Assistant Examiner* — Michael A Kervin  
(74) *Attorney, Agent, or Firm* — Lucas & Mercanti, LLP

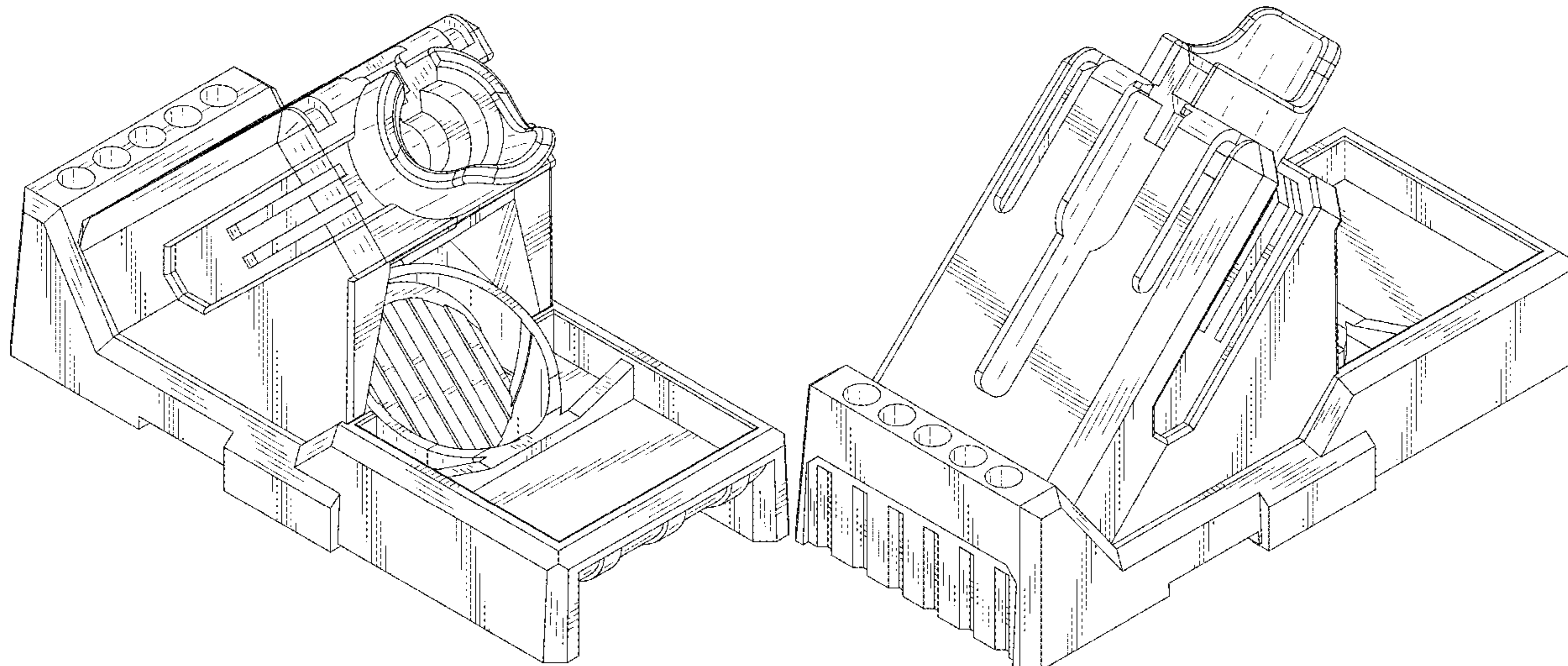
(57) **CLAIM**

The ornamental design for a soldering iron holder, as shown and described.

**DESCRIPTION**

FIG. 1 is a top, front, right side perspective view of the soldering iron holder;  
FIG. 2 is a top, front, left side perspective view thereof;  
FIG. 3 is a top, rear, right side perspective view thereof;  
FIG. 4 is a top, rear, left side perspective view thereof;  
FIG. 5 a front view thereof;  
FIG. 6 is a rear view thereof;  
FIG. 7 is a top view thereof;  
FIG. 8 is a bottom view thereof;  
FIG. 9 is a left side view thereof; and,  
FIG. 10 is a right side view thereof.  
The broken lines show portions of a soldering iron holder which forms no part of the claimed design.

**1 Claim, 8 Drawing Sheets**



(56)

**References Cited**

U.S. PATENT DOCUMENTS

2010/0108827 A1\* 5/2010 Teraoka ..... B23K 3/027  
248/117.2

OTHER PUBLICATIONS

“Sealody Soldering Station”, Jan. 8, 2019, Amazon.com, site visited Feb. 22, 2022: <https://www.amazon.com/Soldering-356°F-896°F-Temperature-Circuited-protection/dp/B08MTTTFW6> (Year: 2019).\*

“Yihua 936A II Soldering Station”, Jul. 31, 2020, Amazon.com, site visited Feb. 22, 2022: <https://www.amazon.com/Soldering-Intelligent-Adjustable-392°F~896°F-Versatile/dp/B08F28F7YB> (Year: 2020).\*

\* cited by examiner

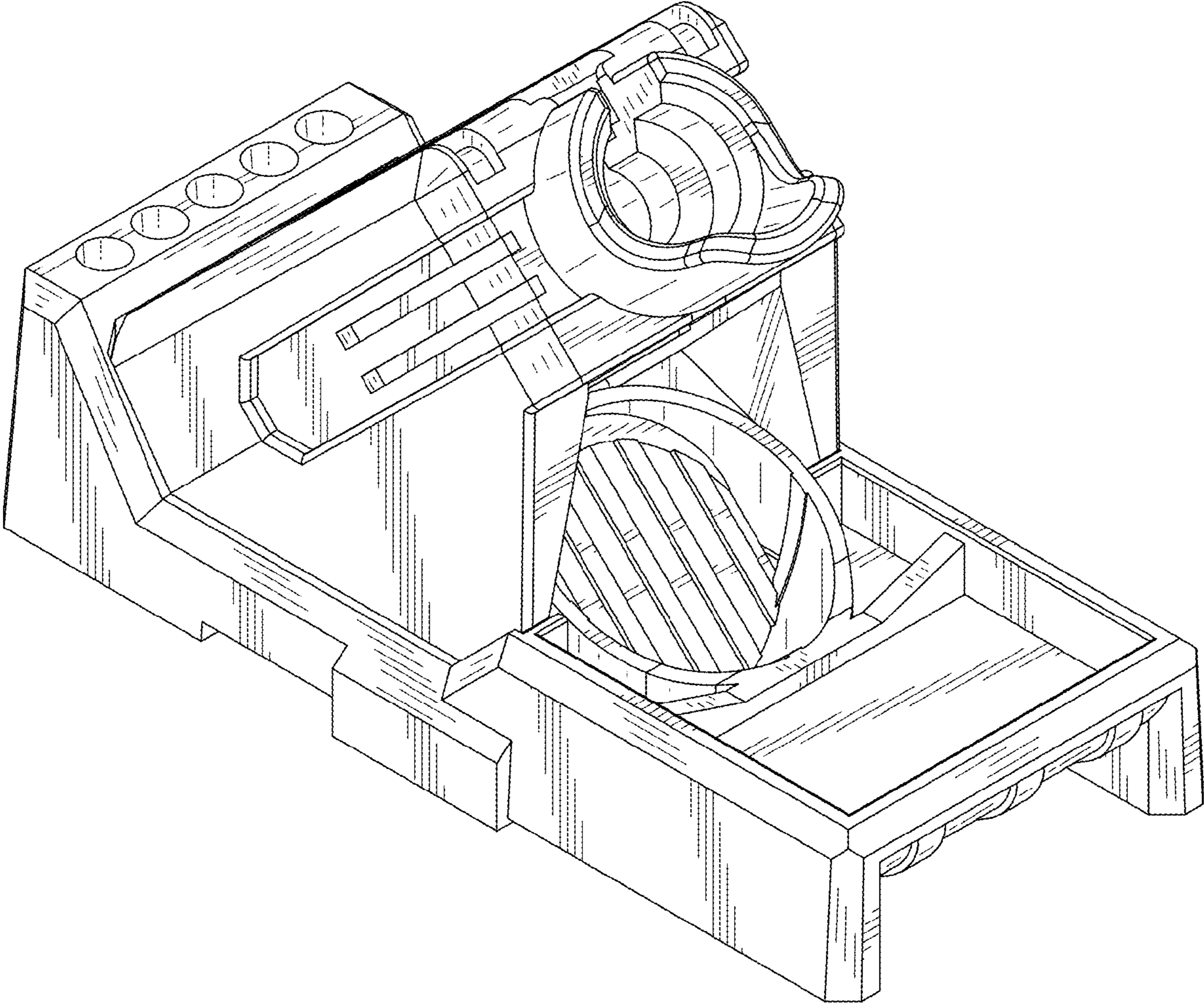


FIG. 1



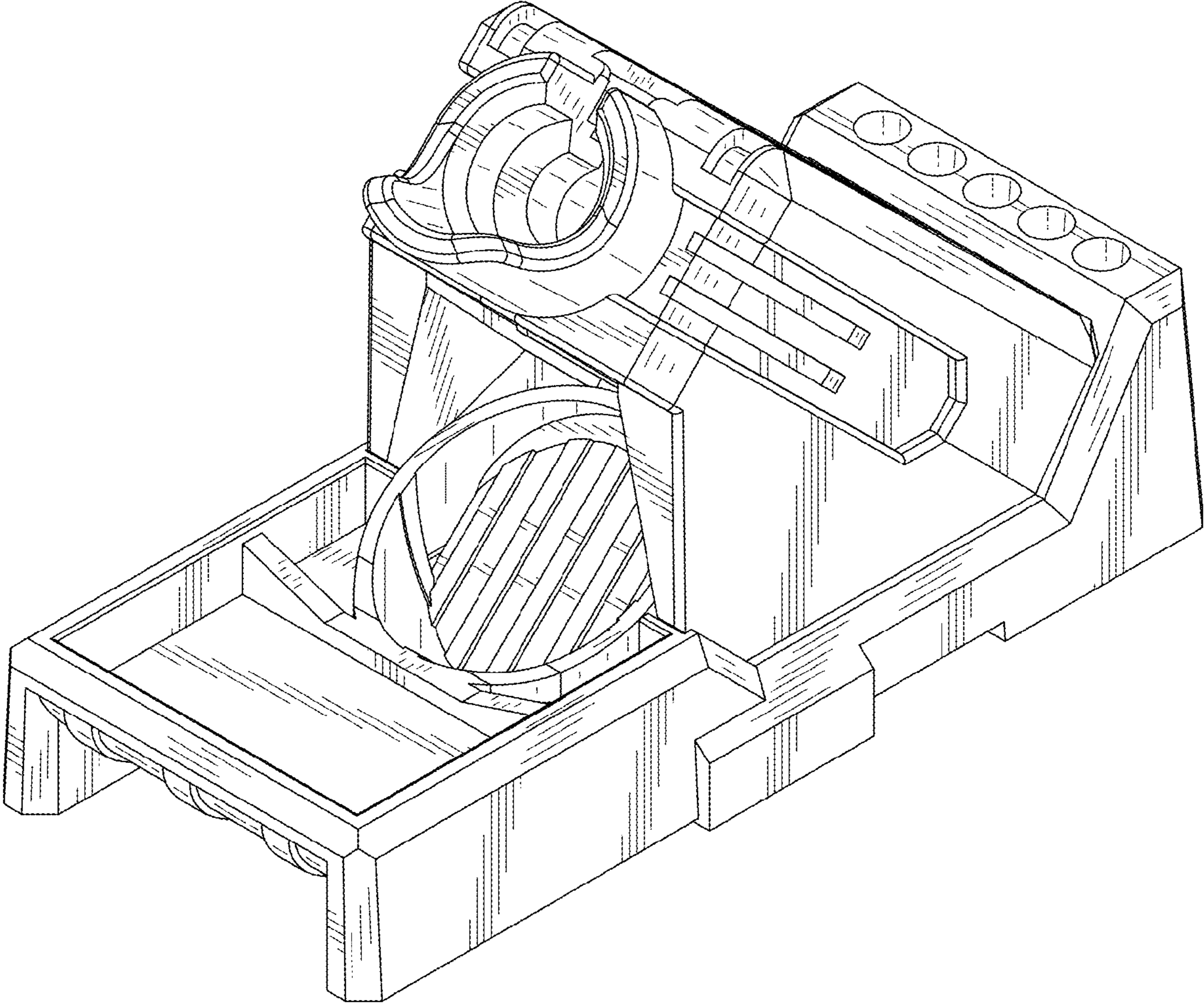


FIG. 2

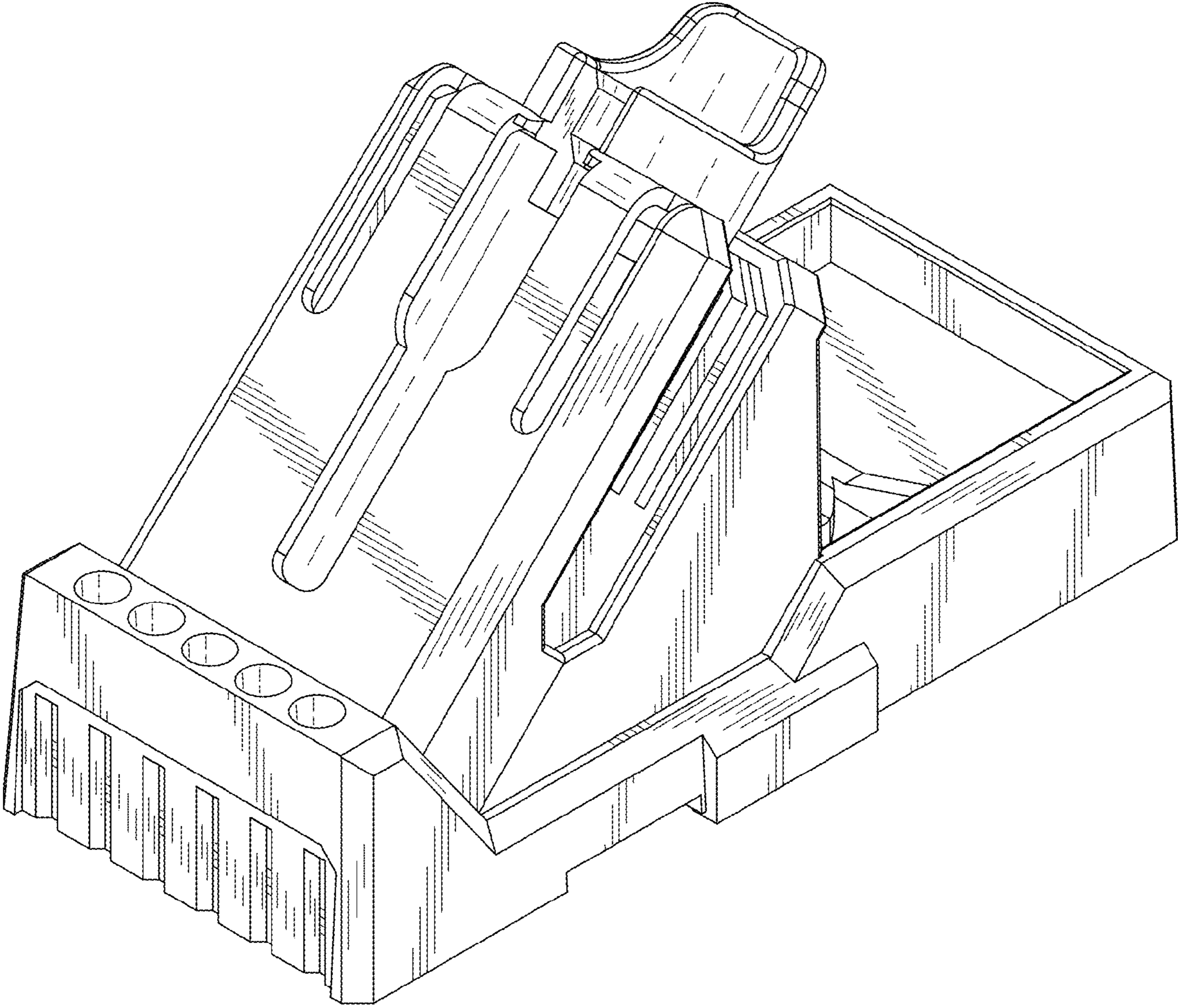


FIG. 3

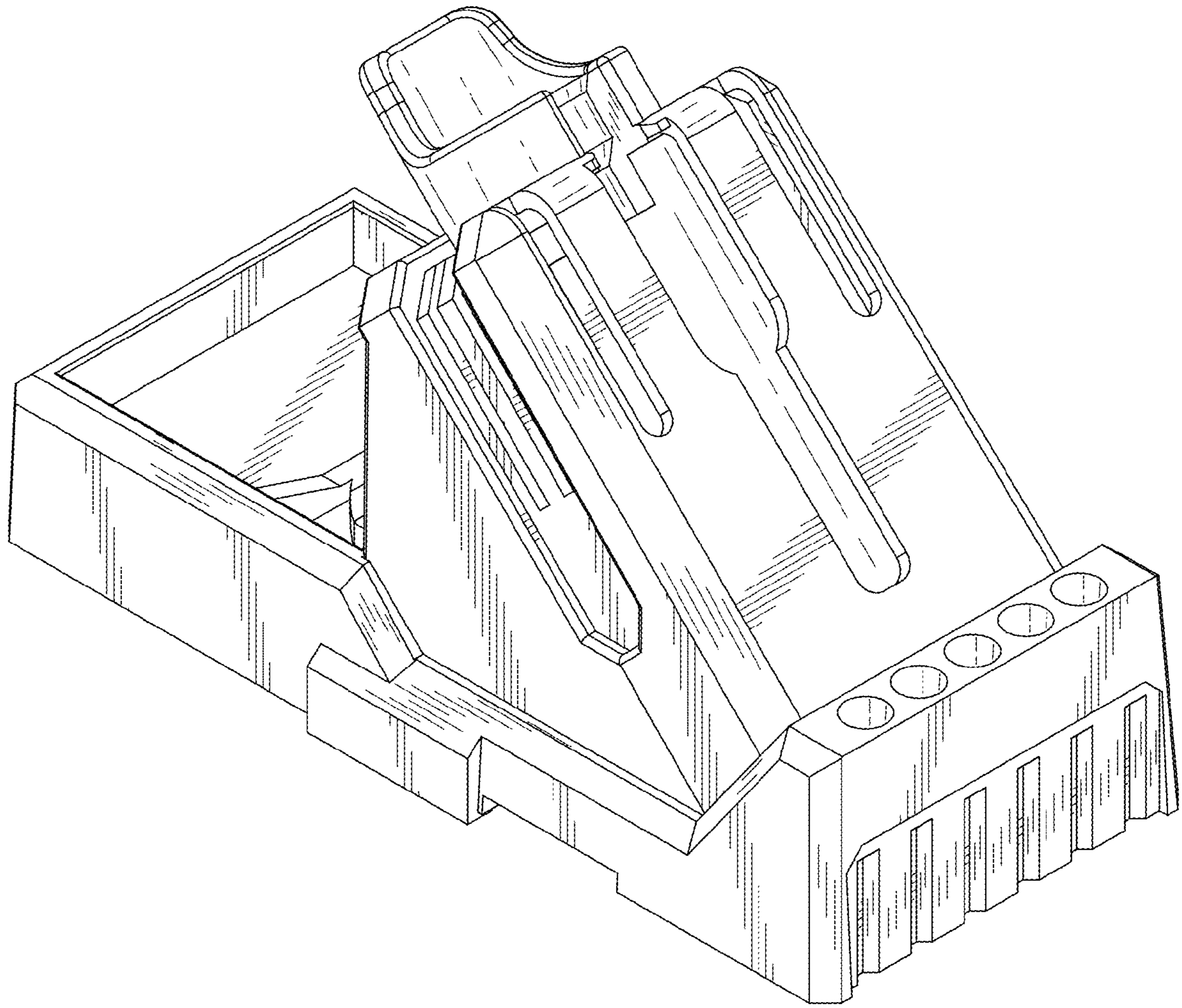


FIG. 4



FIG. 5

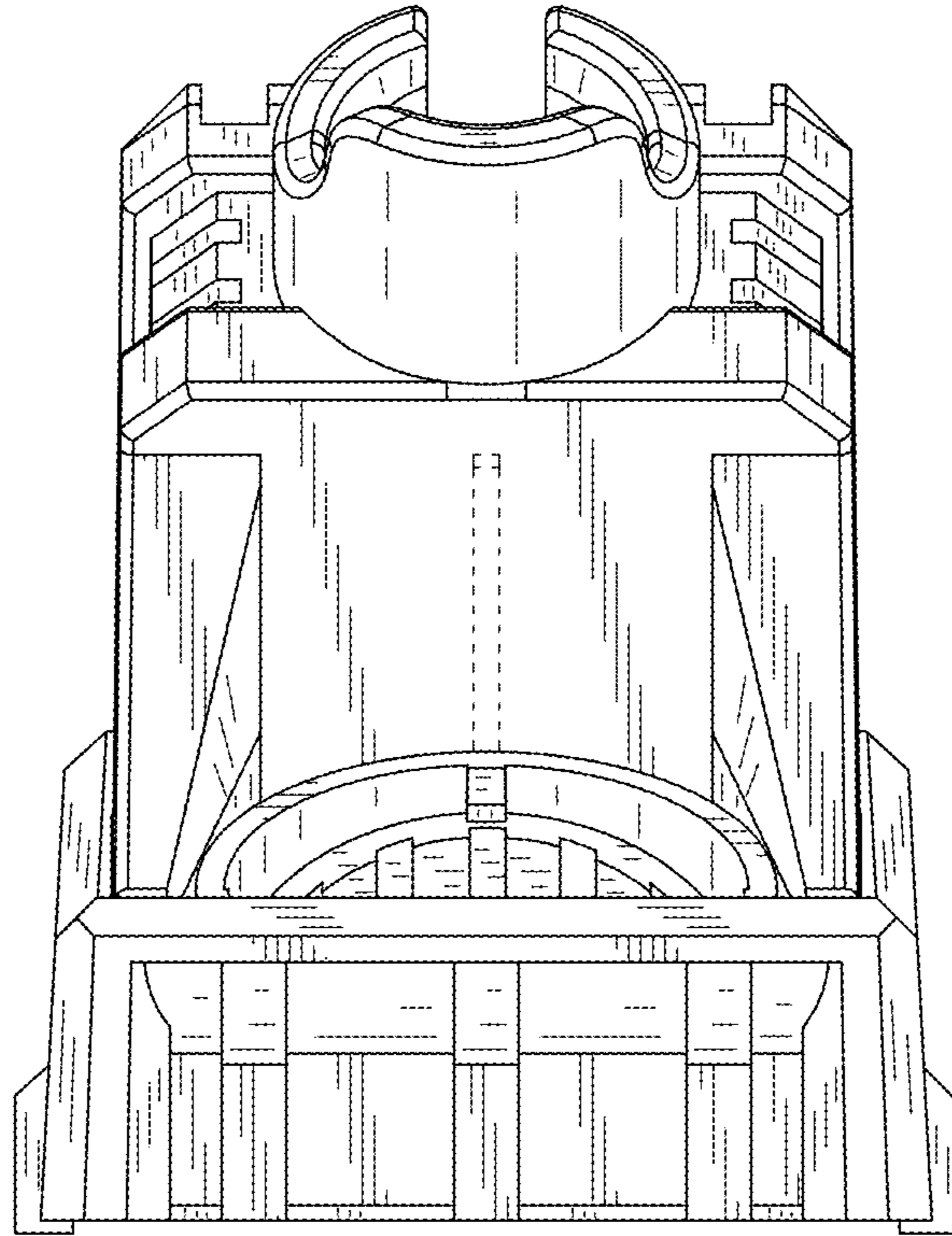
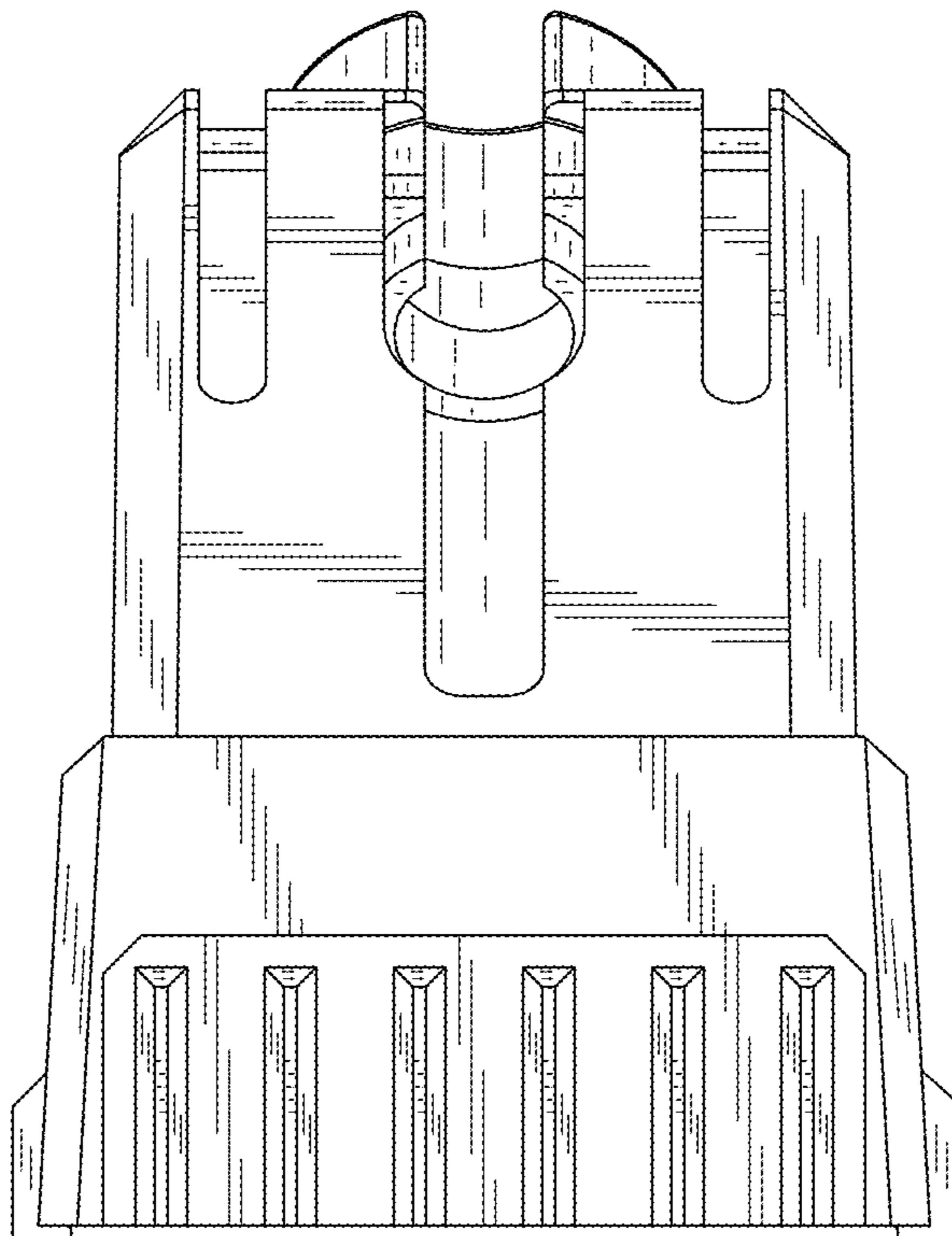


FIG. 6



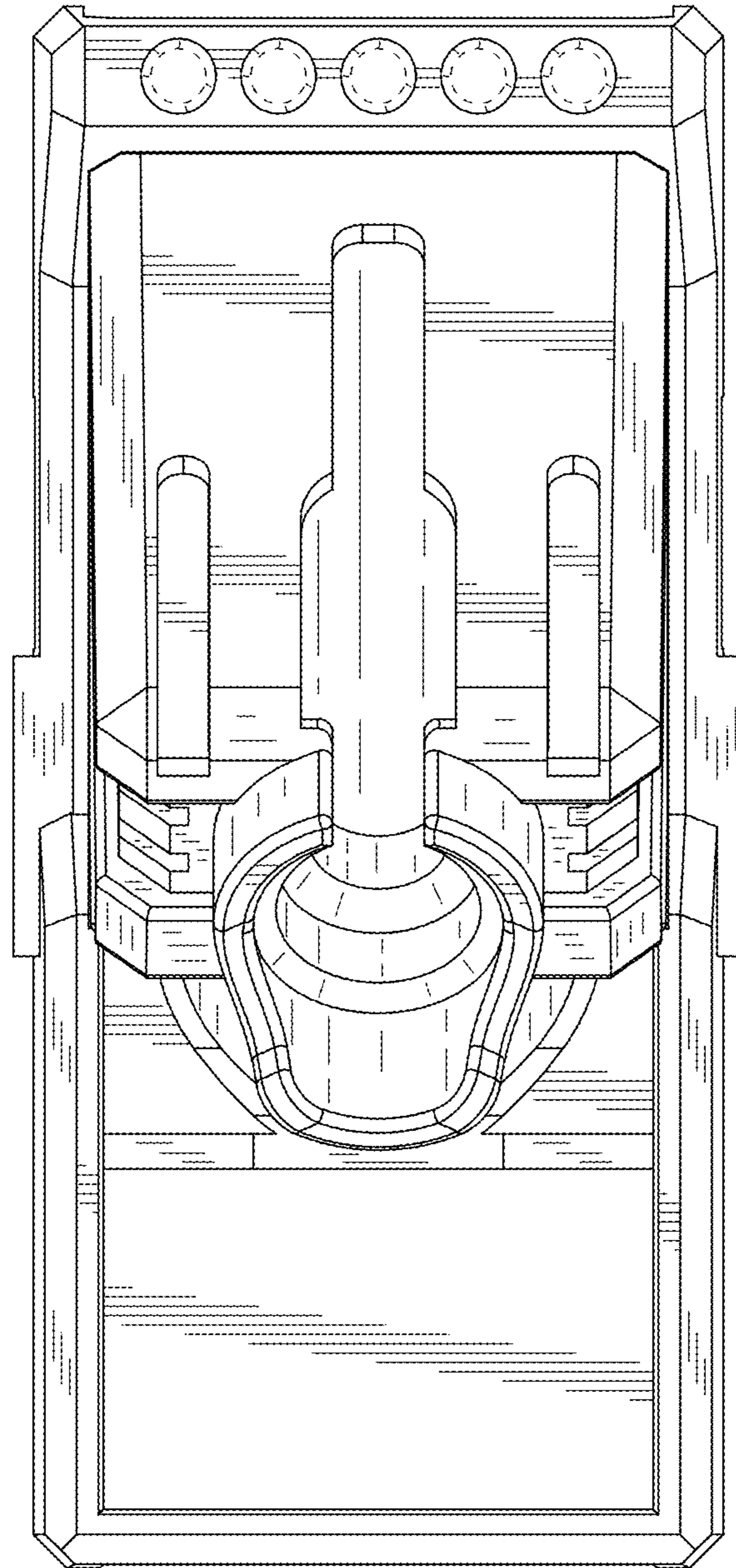


FIG. 7



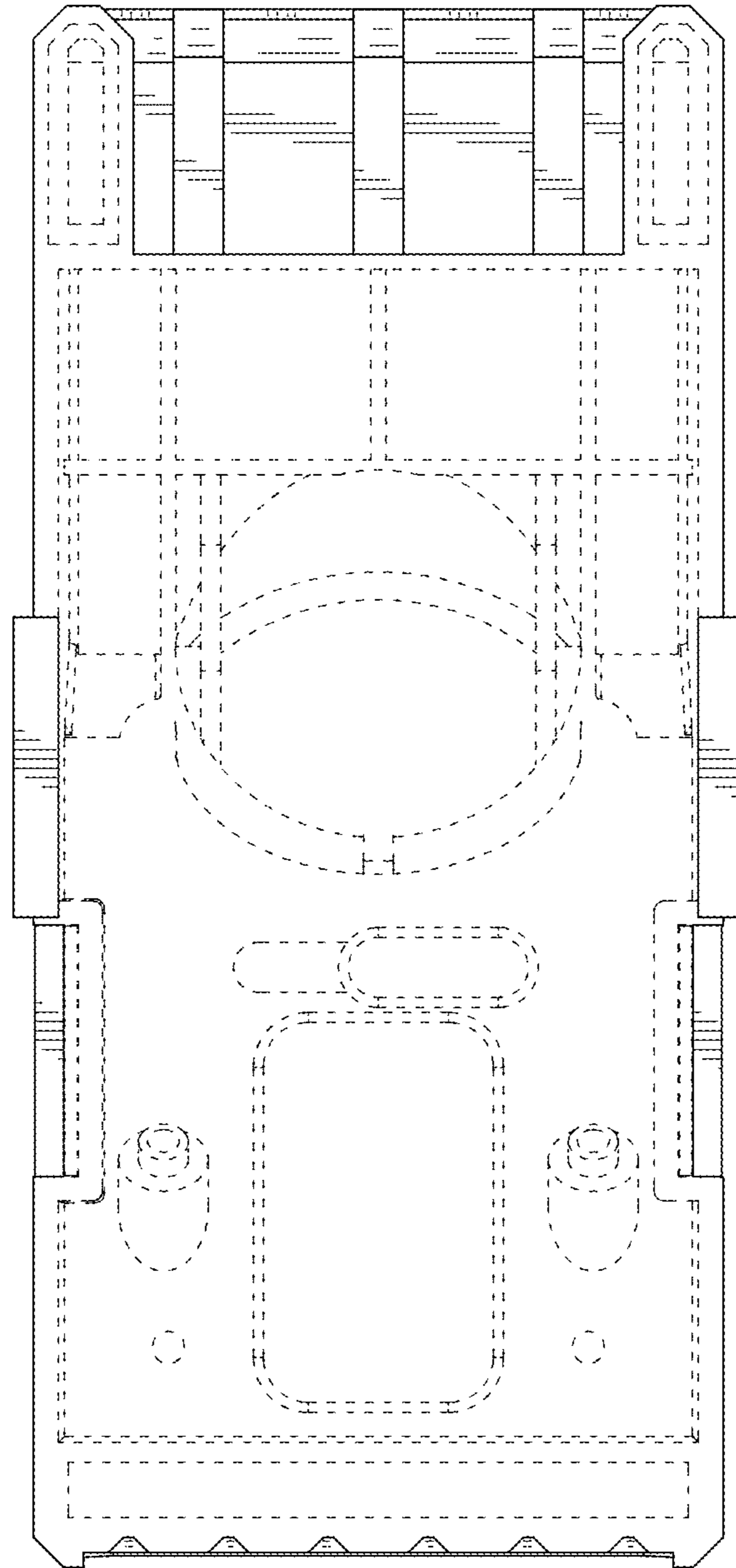


FIG. 8

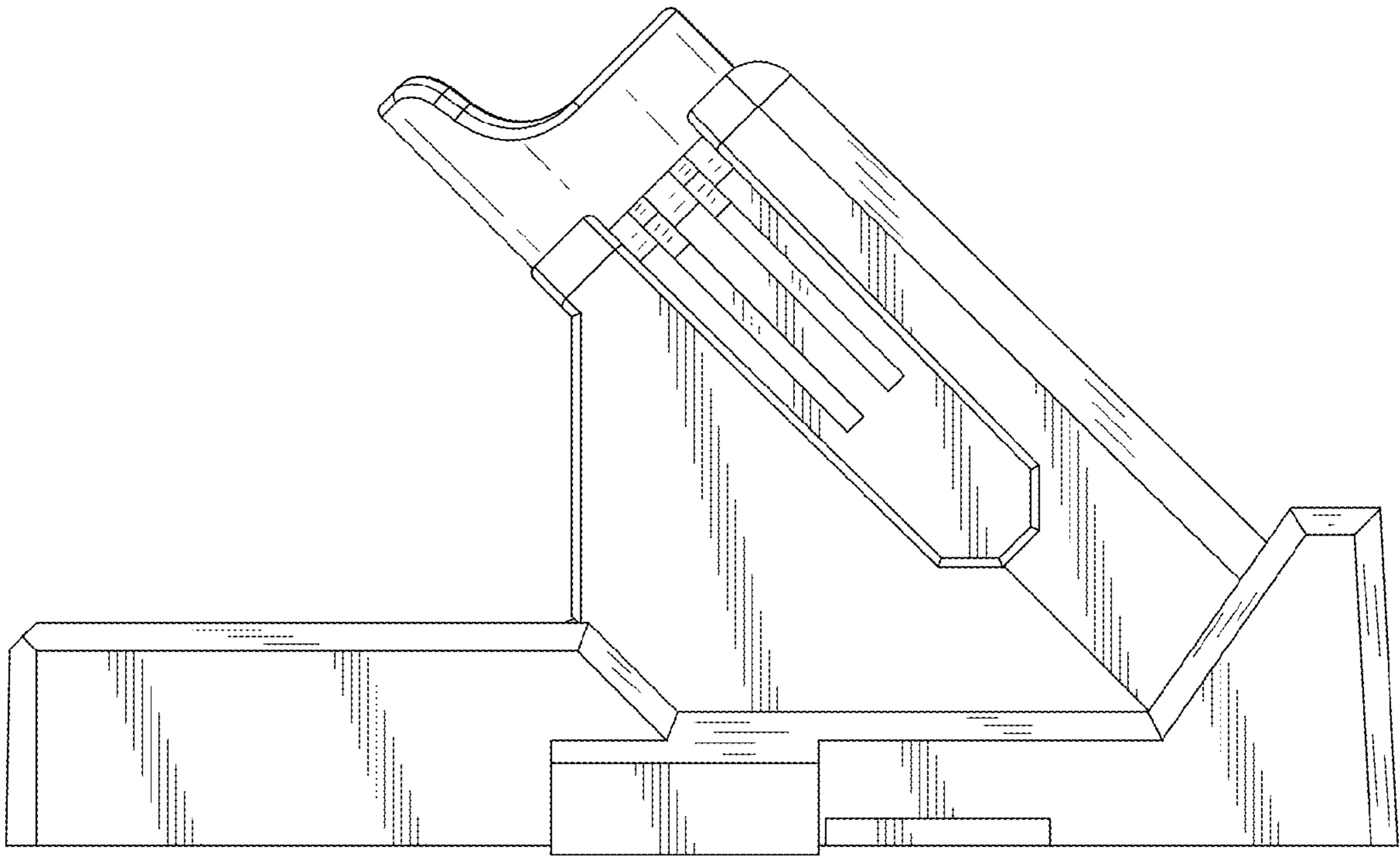


FIG. 9

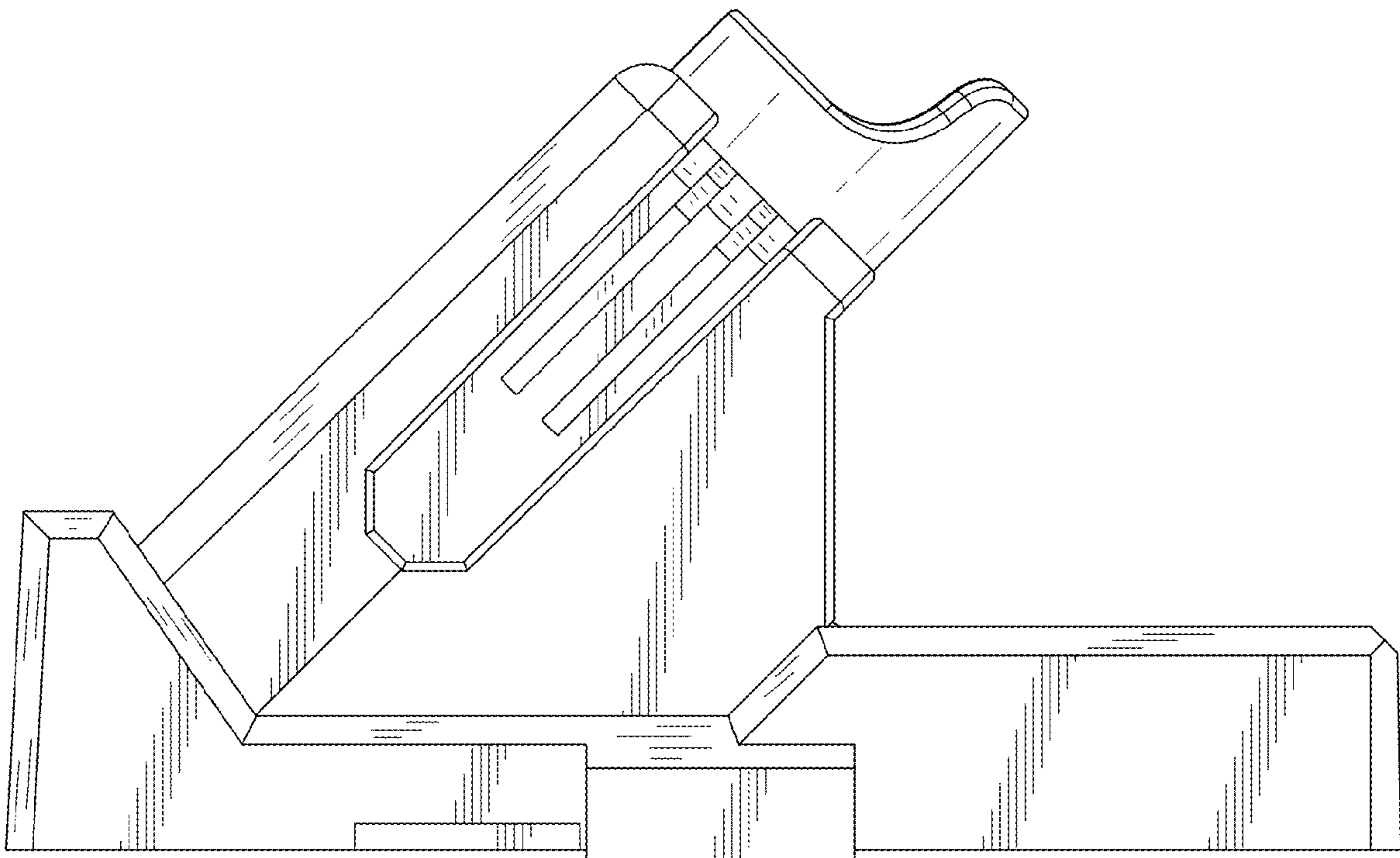


FIG. 10