



US00D949654S

(12) **United States Design Patent**  
**Tan**

(10) **Patent No.:** **US D949,654 S**

(45) **Date of Patent:** **\*\* Apr. 26, 2022**

(54) **WALLPAPER SCORING TOOL**  
(71) Applicant: **SHENZHEN XINDE TECHNOLOGY CO., LTD.**, Shenzhen (CN)  
(72) Inventor: **Mingxin Tan**, Shenzhen (CN)  
(73) Assignee: **SHENZHEN XINDE TECHNOLOGY CO., LTD.**, Shenzhen (CN)

D400,409 S \* 11/1998 Meyer ..... D7/693  
D410,178 S \* 5/1999 Clayson ..... D8/89  
D443,310 S \* 6/2001 Faulkner ..... D20/26  
D505,305 S 5/2005 Cook et al.  
D507,161 S \* 7/2005 Ott ..... D7/693  
D578,717 S \* 10/2008 Trueheart ..... D32/40  
D651,490 S \* 1/2012 Buonfiglio ..... D8/16  
D663,591 S \* 7/2012 Madren ..... D7/688  
D843,184 S \* 3/2019 Woodcock ..... D8/19

\* cited by examiner

*Primary Examiner* — Eliza Z Harvey

(\*\*) Term: **15 Years**

(21) Appl. No.: **29/780,512**

(22) Filed: **Apr. 25, 2021**

(51) **LOC (13) Cl.** ..... **08-05**

(52) **U.S. Cl.**  
USPC ..... **D8/45**

(58) **Field of Classification Search**  
USPC ..... D8/1, 16, 19, 45, 14  
CPC .. B44C 7/06; B44C 7/08; B44C 7/025; B44C 7/027; B44C 7/02; B65H 2402/414; B65H 2701/1922  
See application file for complete search history.

(56) **References Cited**

**U.S. PATENT DOCUMENTS**

D298,407 S \* 11/1988 Vowell, Jr. .... D8/16  
D379,256 S \* 5/1997 Tipp ..... D32/46

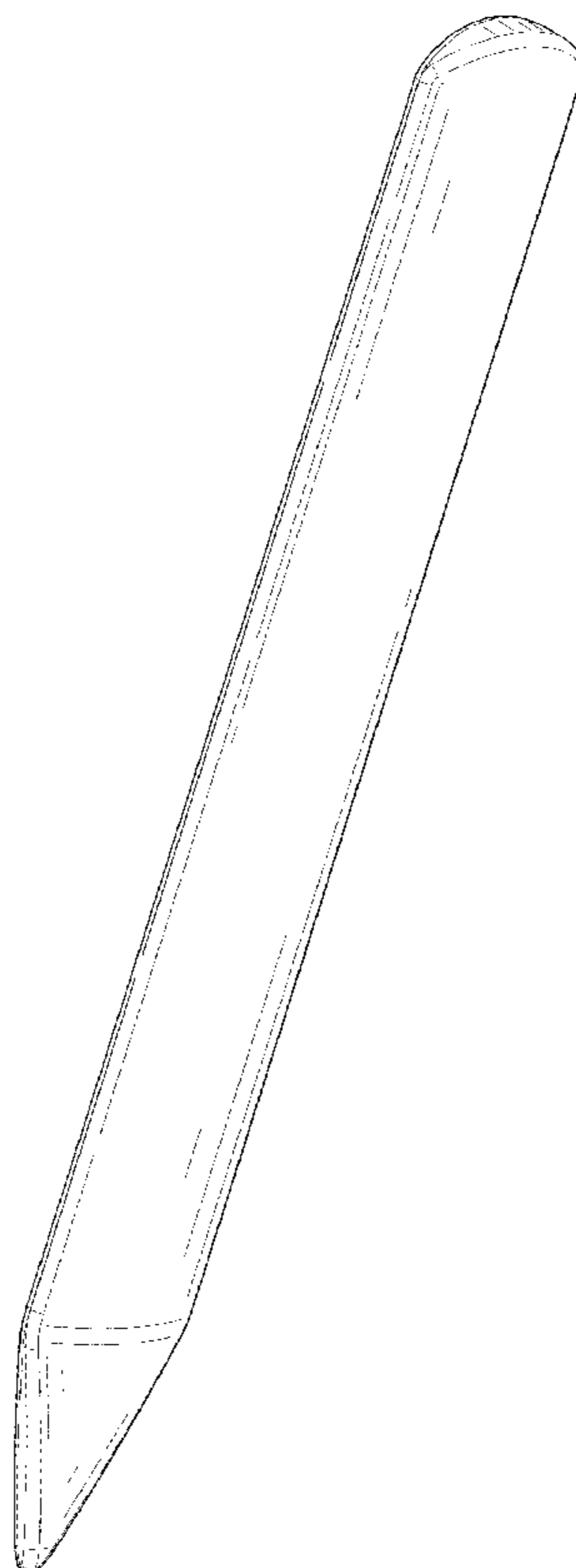
(57) **CLAIM**

The ornamental design for a wallpaper scoring tool, as shown and described.

**DESCRIPTION**

FIG. 1 is a perspective view of a wallpaper scoring tool showing my new design;  
FIG. 2 is another perspective view thereof;  
FIG. 3 is a front elevational view thereof;  
FIG. 4 is a rear elevational view thereof;  
FIG. 5 is a left side elevational view thereof;  
FIG. 6 is a right side elevational view thereof;  
FIG. 7 is a top plan view thereof; and,  
FIG. 8 is a bottom plan view thereof.

**1 Claim, 8 Drawing Sheets**



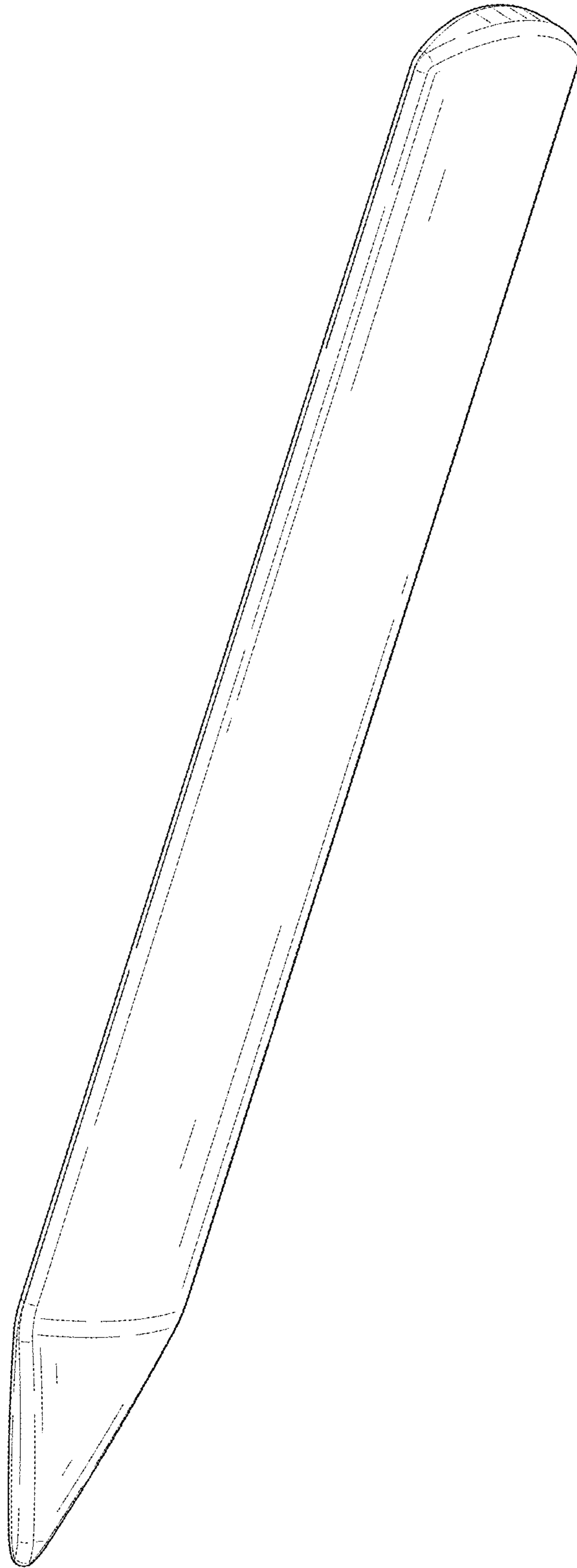


FIG. 1

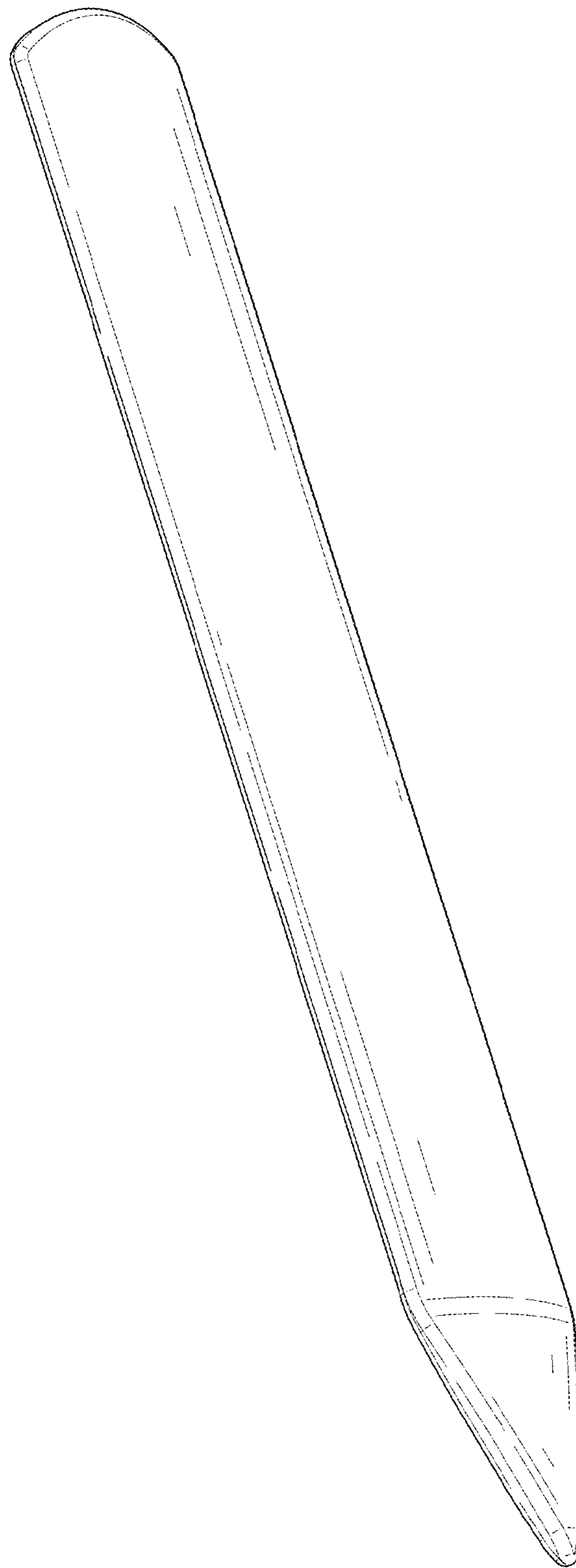


FIG. 2

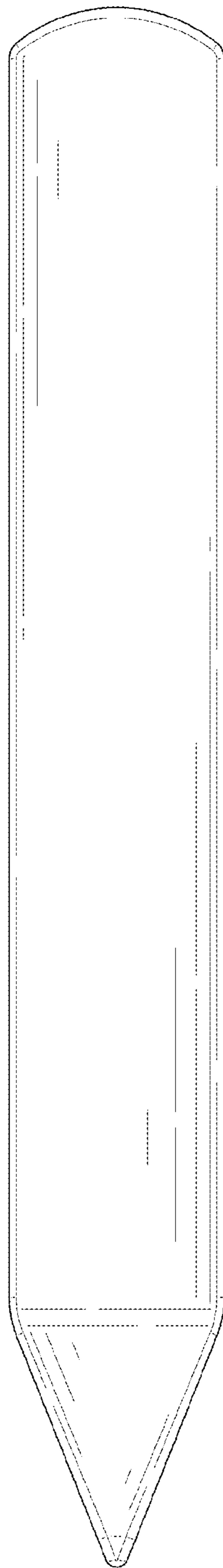


FIG. 3

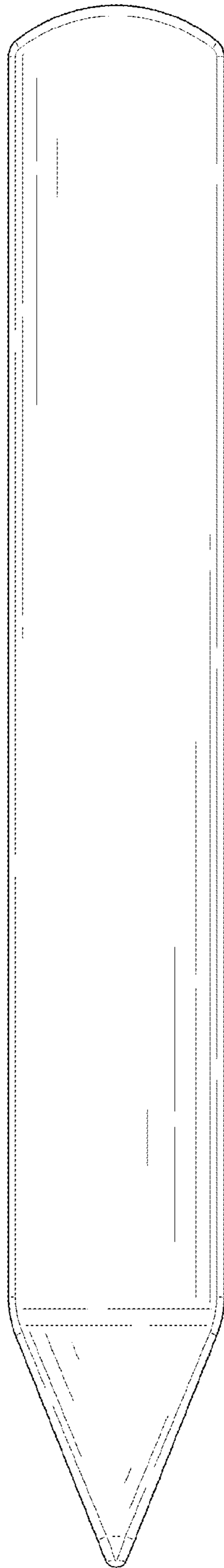


FIG. 4

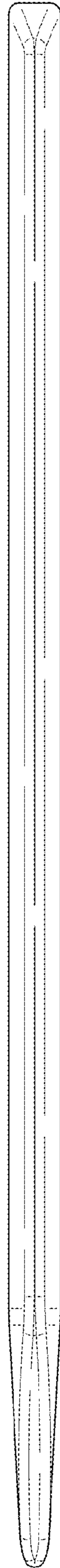


FIG. 5



FIG. 6

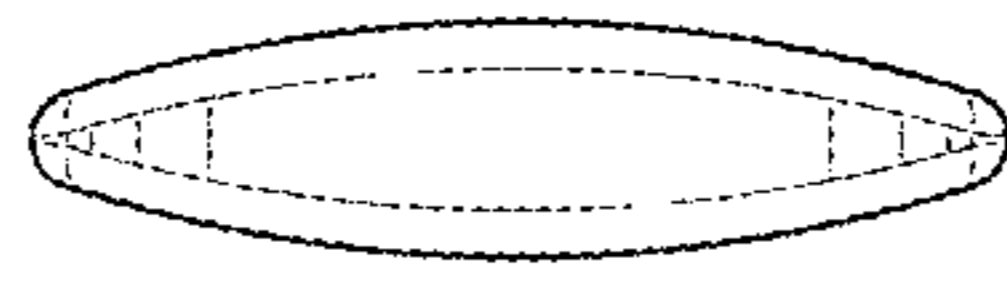


FIG. 7



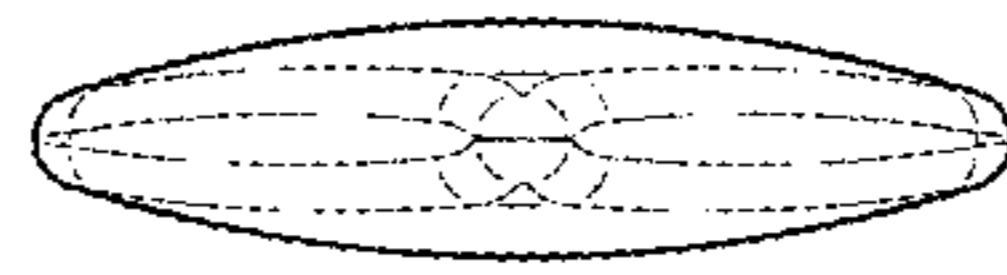


FIG. 8