



US00D949653S

(12) **United States Design Patent**
Hatcher

(10) **Patent No.:** **US D949,653 S**

(45) **Date of Patent:** **** Apr. 26, 2022**

- (54) **RELEASE PULL OF A RATCHET**
- (71) Applicant: **Winston Products LLC**, Cleveland, OH (US)
- (72) Inventor: **Troy Hatcher**, Bay Village, OH (US)
- (73) Assignee: **WINSTON PRODUCTS LLC**, Cleveland, OH (US)
- (**) Term: **15 Years**
- (21) Appl. No.: **29/723,184**
- (22) Filed: **Feb. 5, 2020**

D642,031	S	*	7/2011	Pehar	D8/44
D661,562	S	*	6/2012	Stevens	D8/44
D675,498	S	*	2/2013	Stevens	D8/44
D679,972	S	*	4/2013	Gangakhedkar	D8/44
D686,894	S	*	7/2013	Breeden	B60P 7/083
						D8/44
D721,561	S	*	1/2015	Romanak	D8/44
9,259,828	B2	*	2/2016	Bermes	B25B 25/00
D820,058	S	*	6/2018	Breeden, III	D8/44
D826,016	S	*	8/2018	Breeden, III	D8/44
D826,017	S	*	8/2018	Breeden, III	D8/44
D861,448	S	*	10/2019	Zhang	D8/44
D876,915	S	*	3/2020	Romanak	D8/44
D877,586	S	*	3/2020	Hatcher	D8/44
D877,587	S	*	3/2020	Romanak	D8/44

* cited by examiner

Related U.S. Application Data

- (63) Continuation of application No. 29/648,679, filed on May 23, 2018, now Pat. No. Des. 877,586.
- (51) **LOC (13) Cl.** **08-05**
- (52) **U.S. Cl.**
USPC **D8/44**
- (58) **Field of Classification Search**
USPC D8/44, 14, 51, 107
CPC B25B 25/00; B21F 9/00; B60P 7/0823;
B60P 7/083; B60P 7/0846; Y10T 24/21;
Y10T 24/2117
See application file for complete search history.

Primary Examiner — Philip S Hyder

(74) *Attorney, Agent, or Firm* — Tucker Ellis LLP

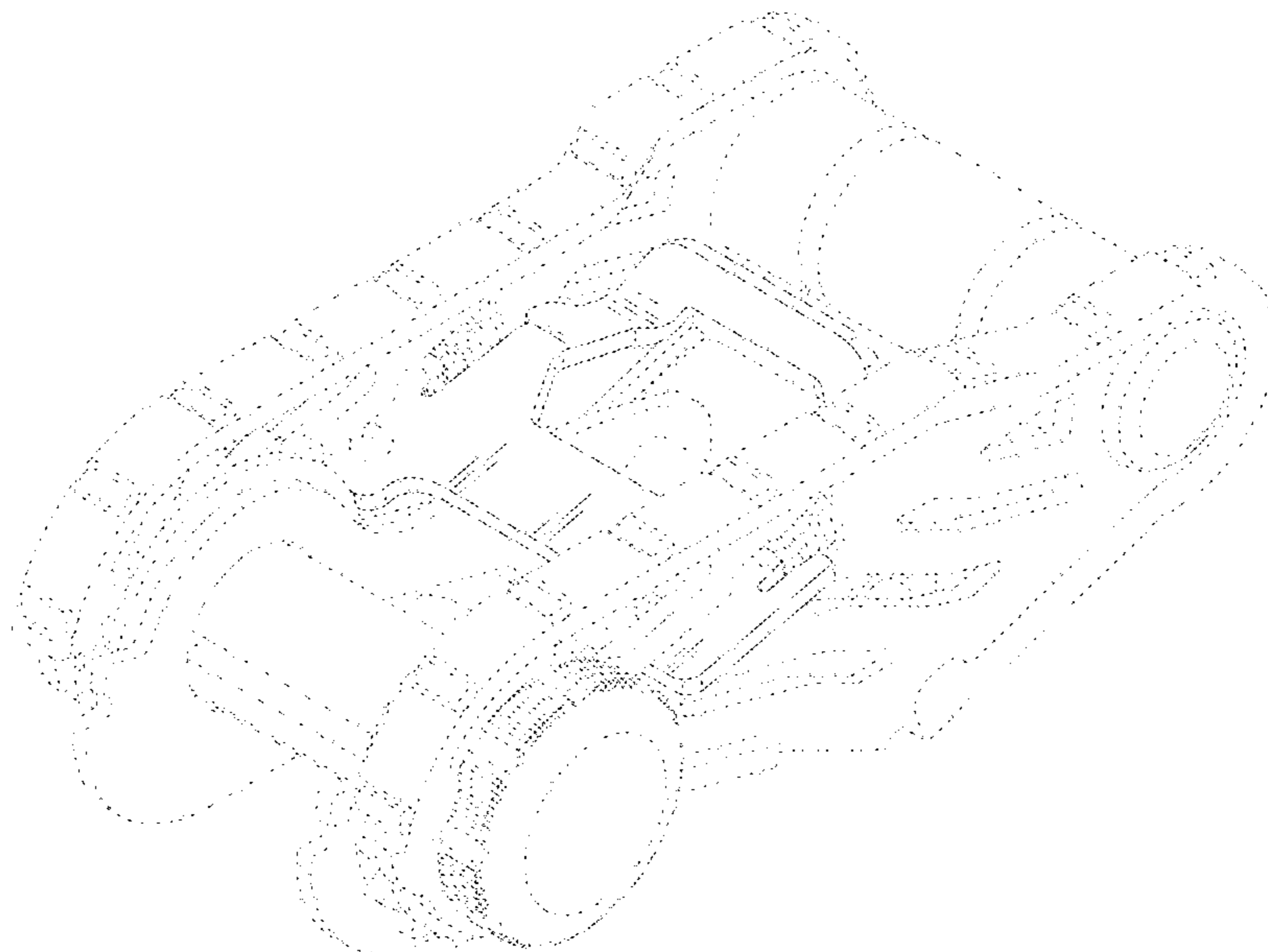
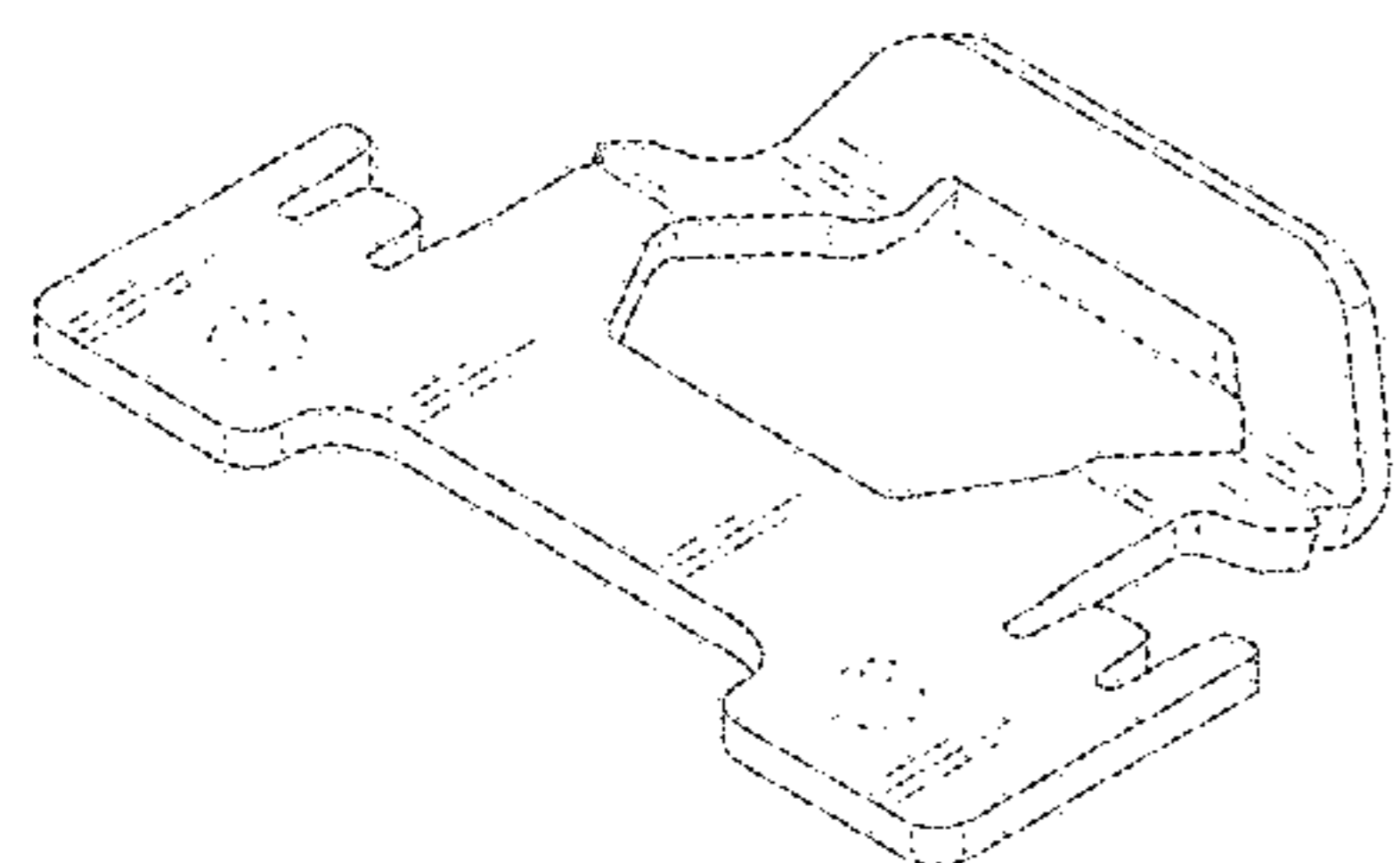
(57) **CLAIM**

The ornamental design for a release pull of ratchet, as shown and described.

DESCRIPTION

FIG. 1 is a perspective view of a release pull of a ratchet showing my new design;
 FIG. 2 is another perspective view thereof;
 FIG. 3 is a front view thereof, shown in reduced scale relative to the perspective views;
 FIG. 4 is a rear view thereof;
 FIG. 5 is a top view thereof;
 FIG. 6 is a bottom view thereof;
 FIG. 7 is a left side view thereof; and,
 FIG. 8 is a right side view thereof.
 The broken line showing of the ratchet structure is provided for purposes of environment and forms no part of the claimed design.

1 Claim, 5 Drawing Sheets



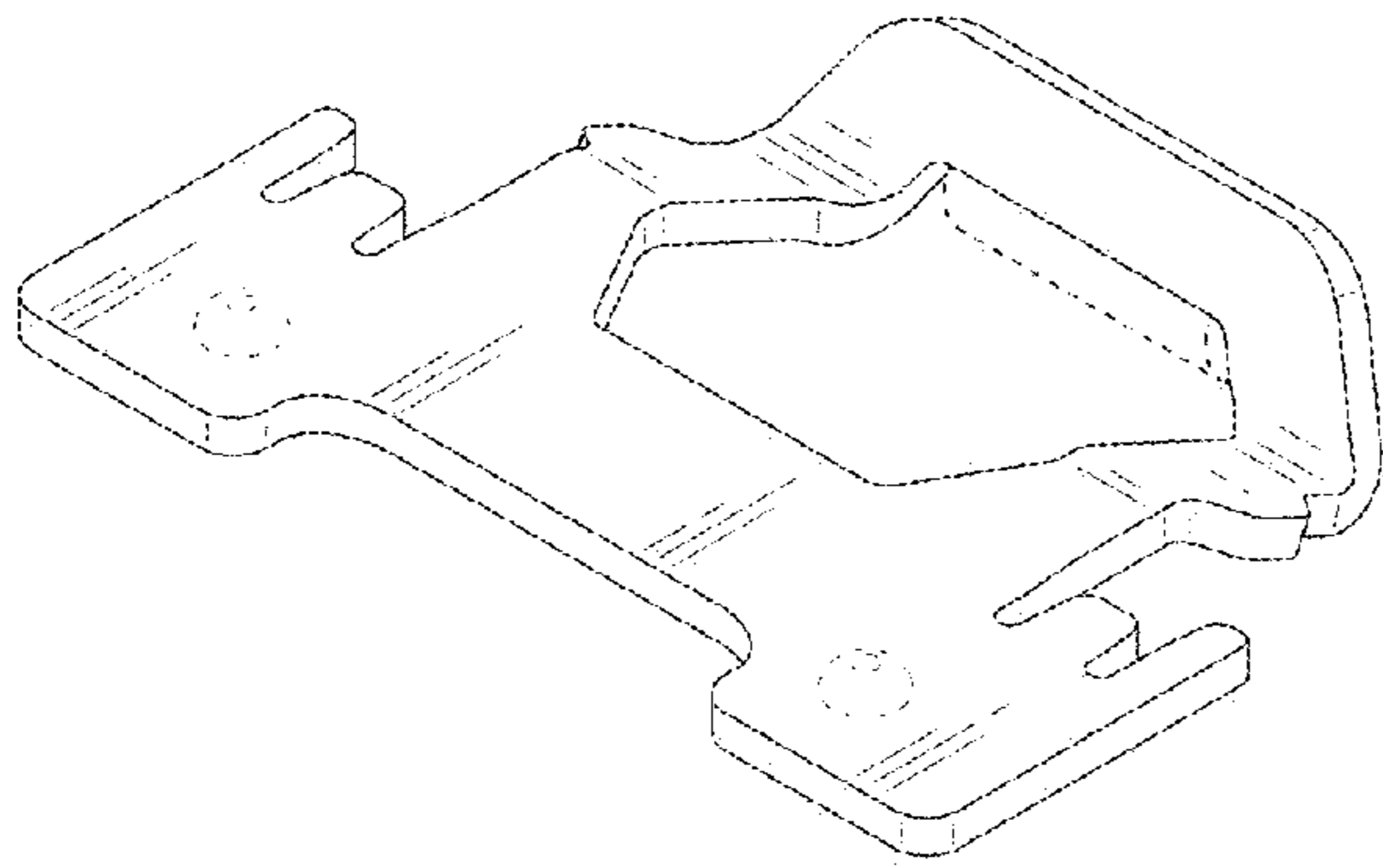


FIG. 1

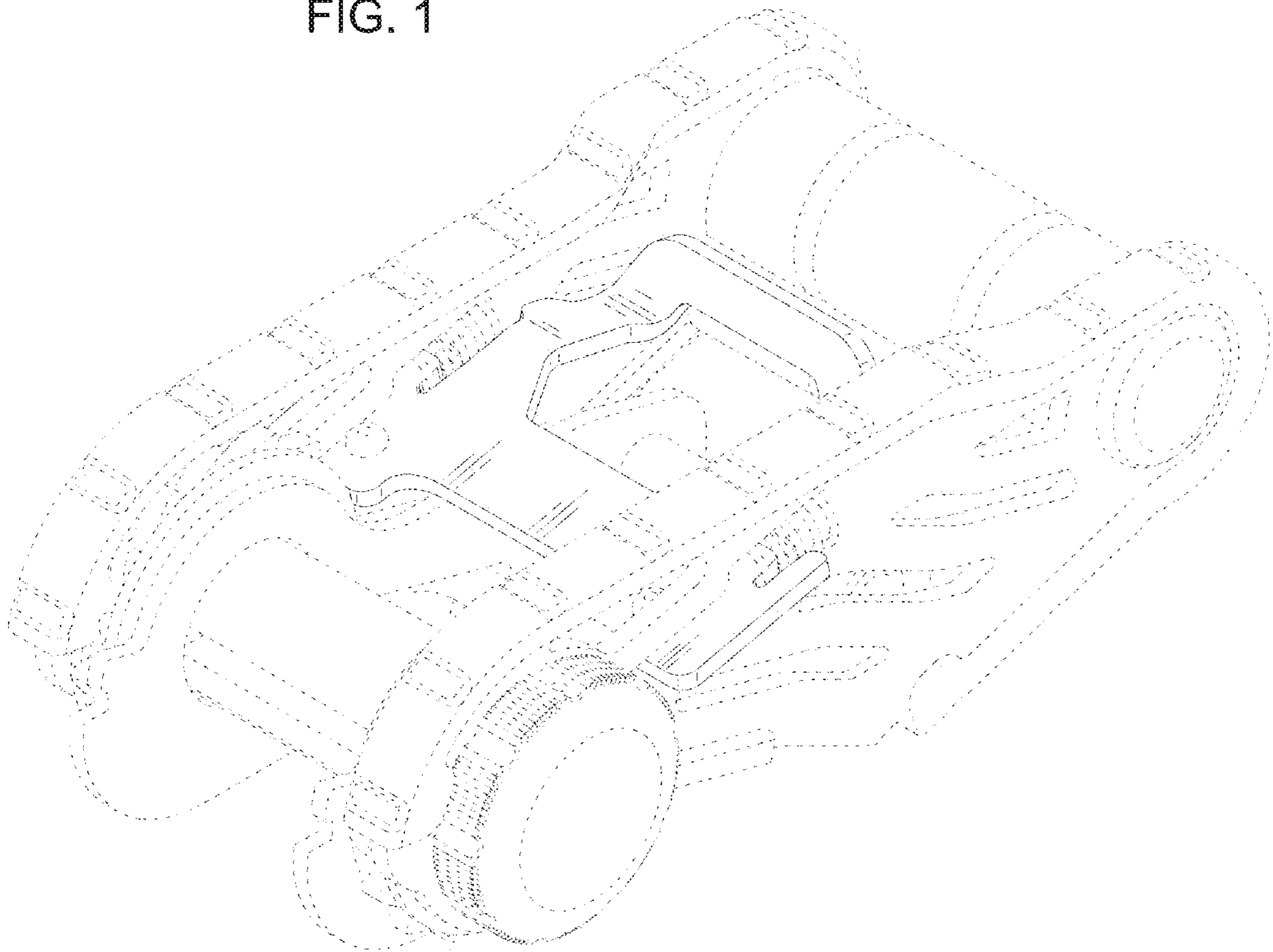


FIG. 2

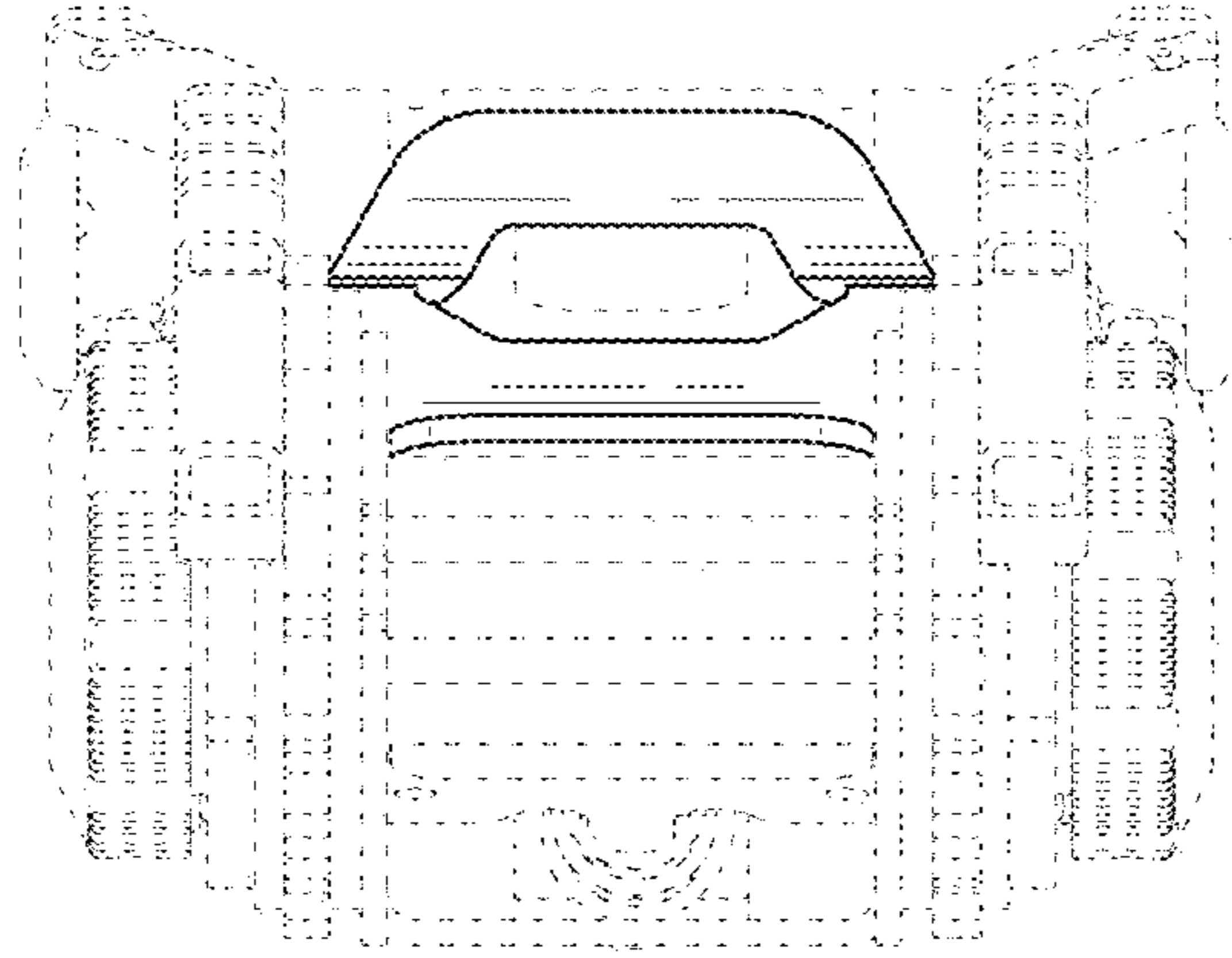


FIG. 3

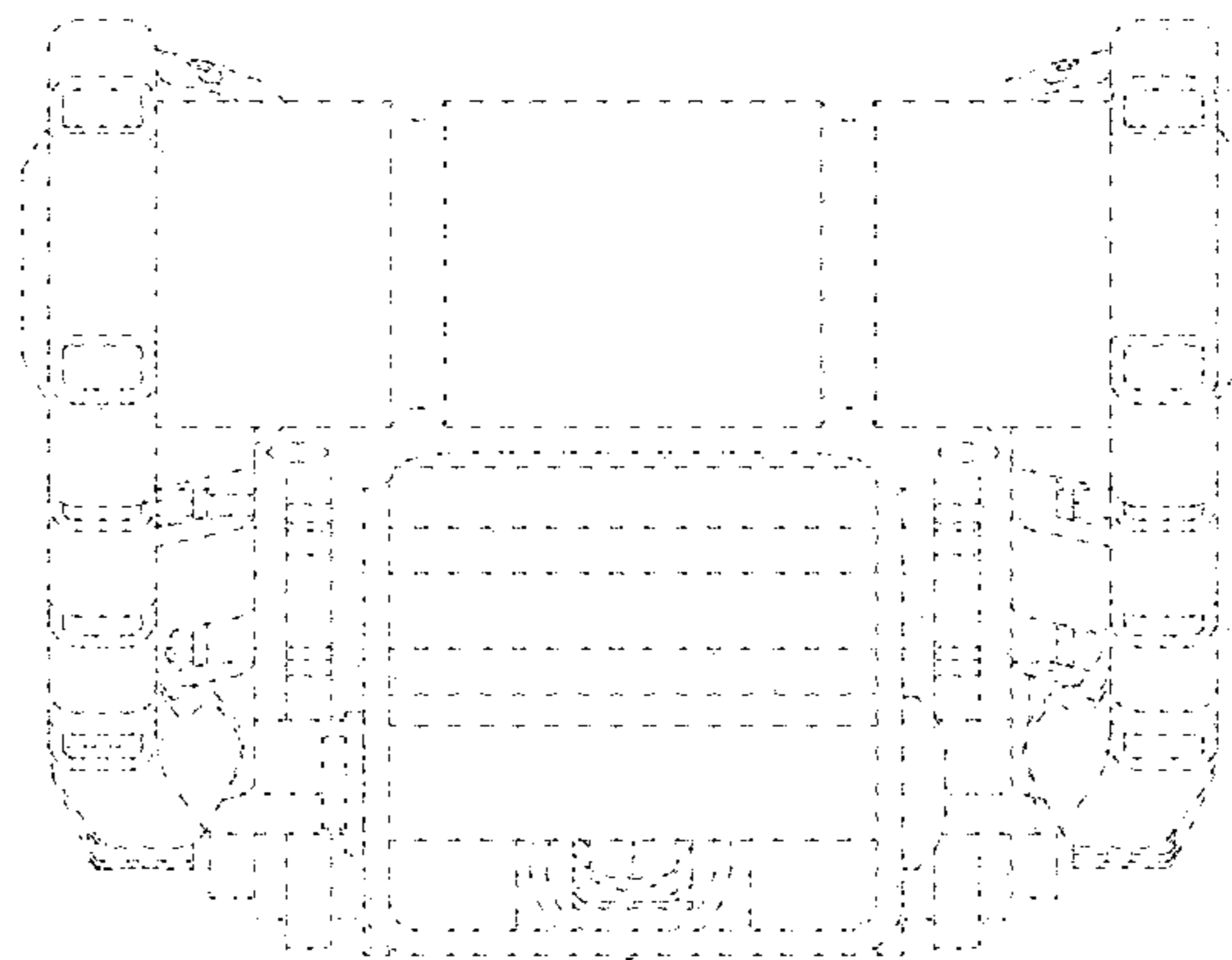


FIG. 4

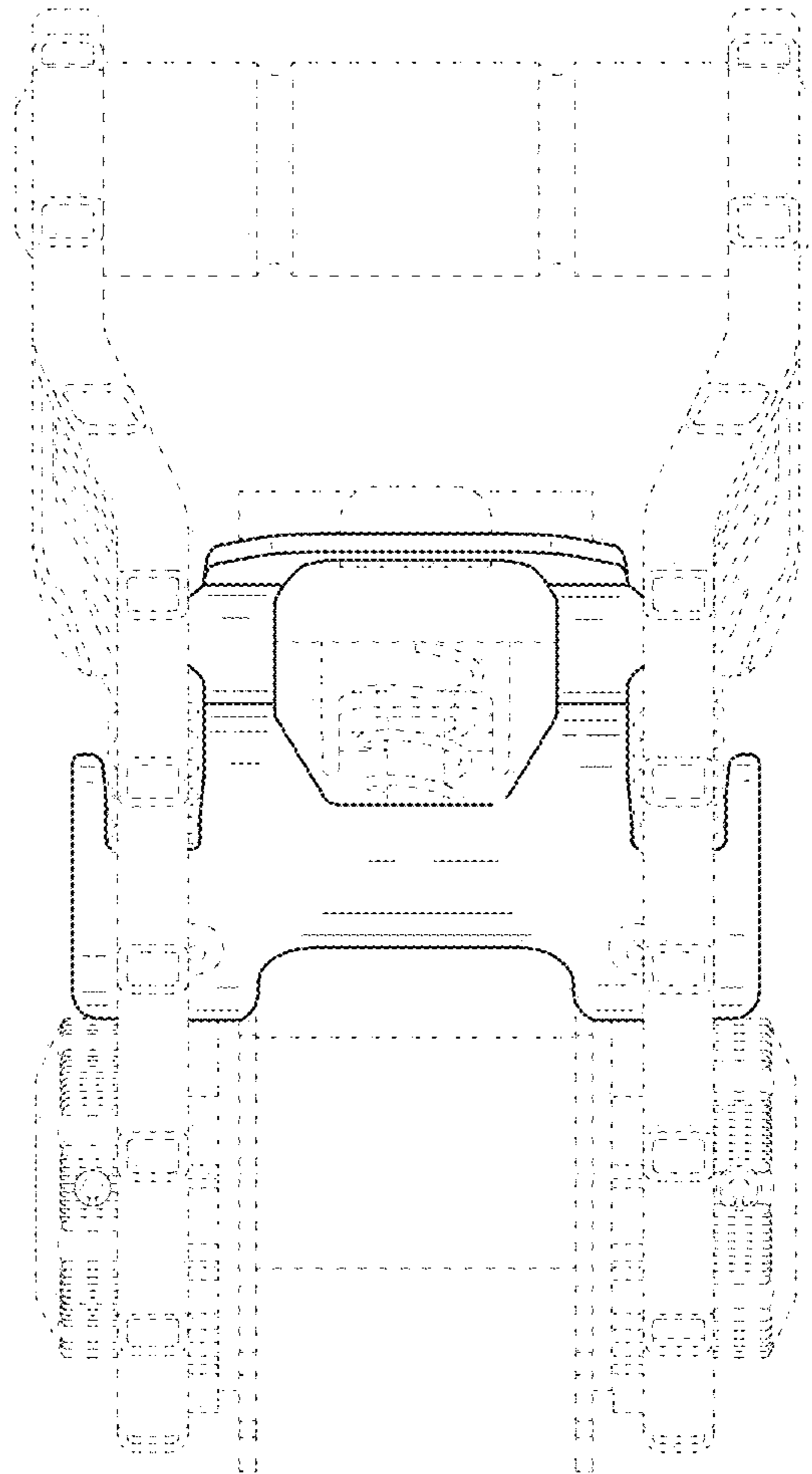


FIG. 5

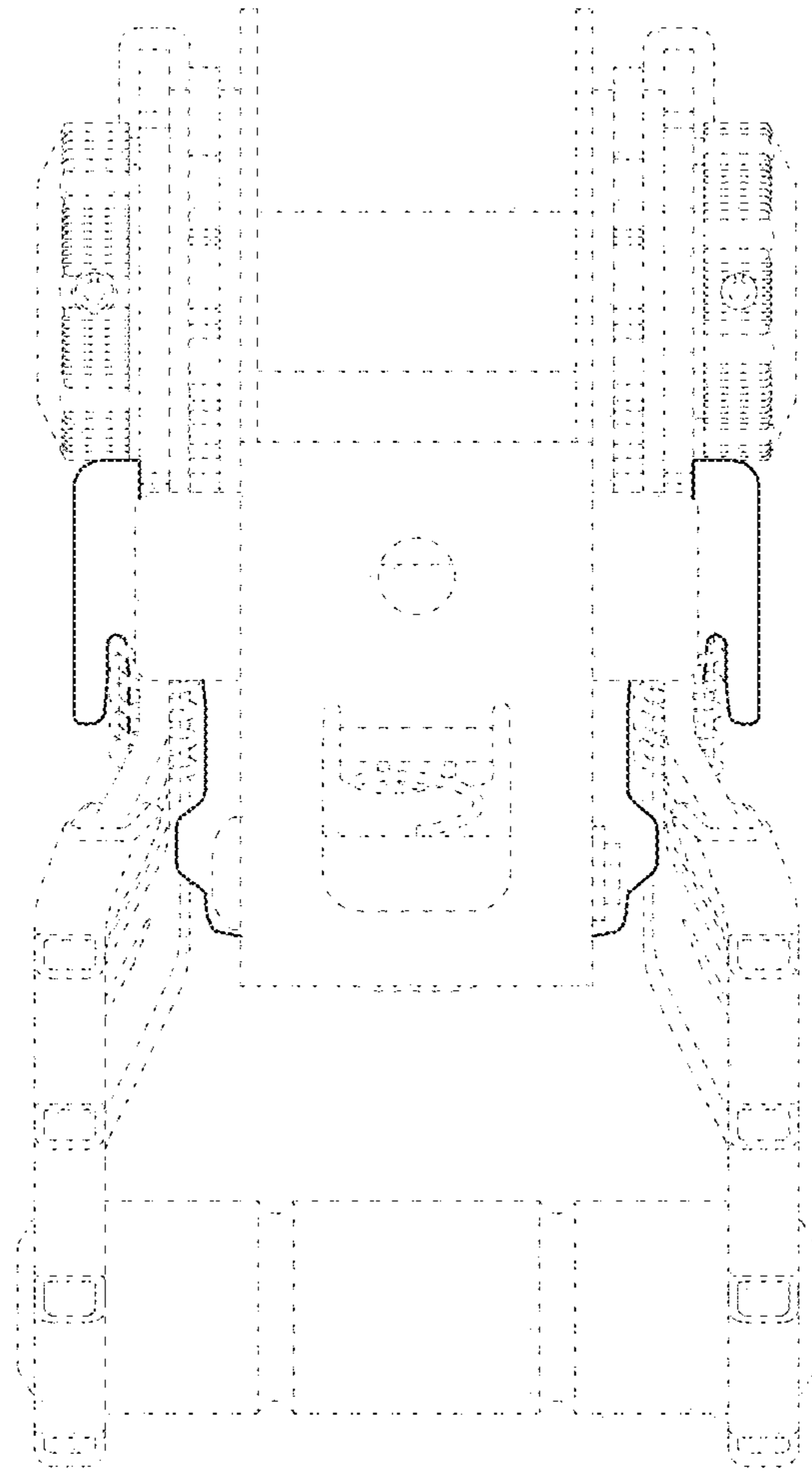


FIG. 6

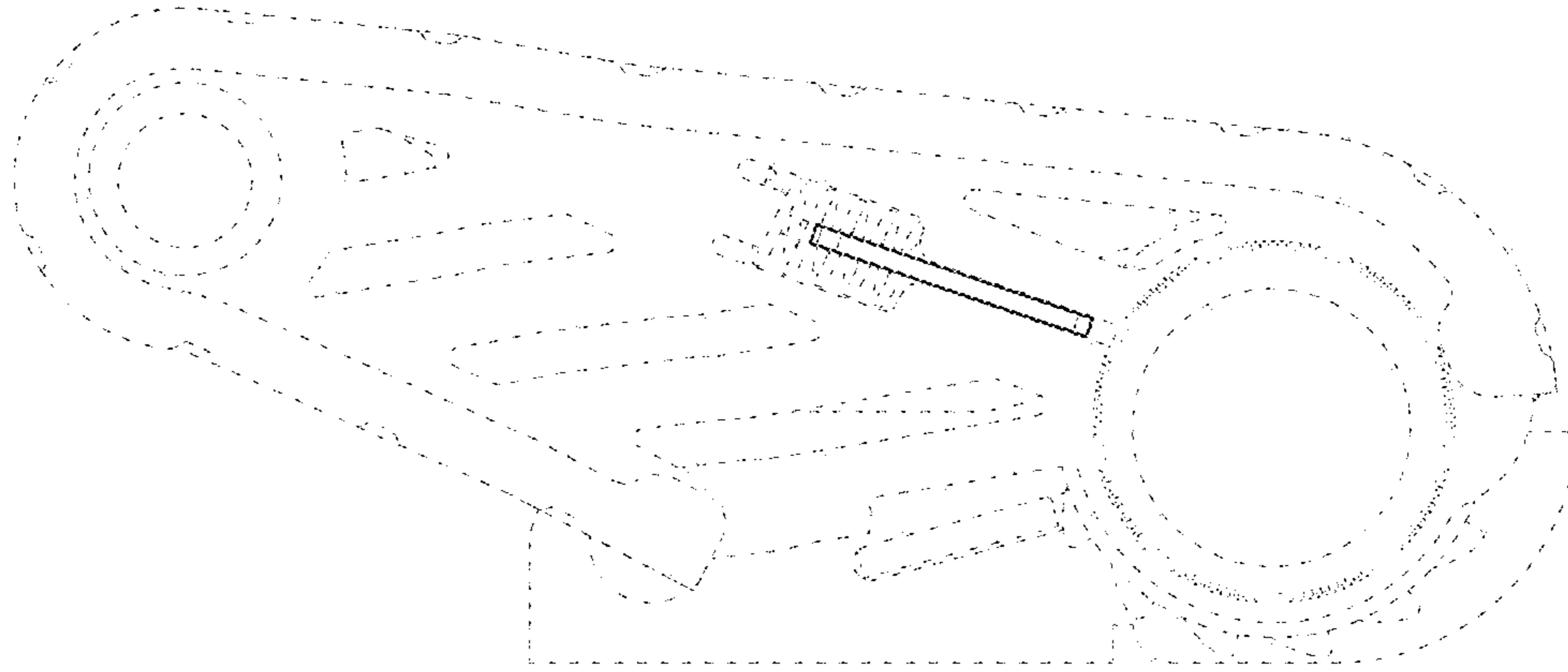


FIG. 7

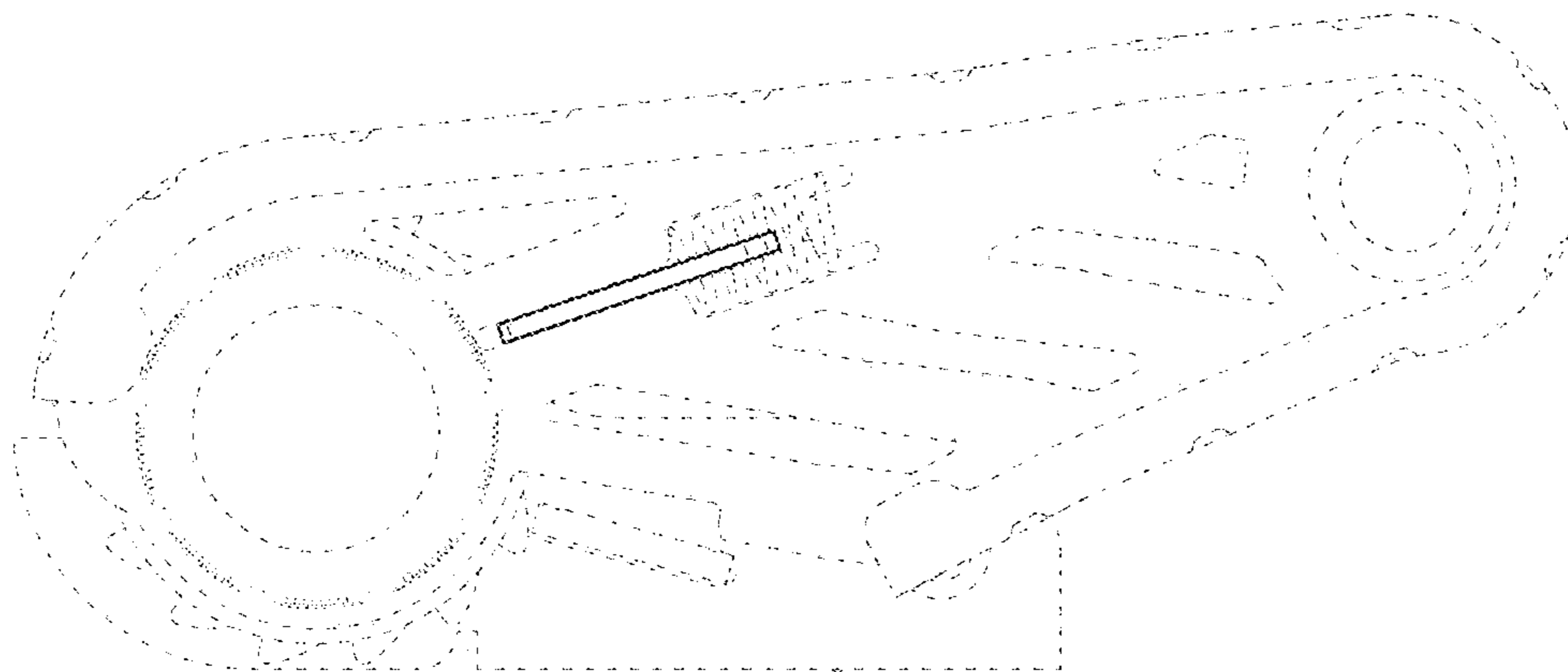


FIG. 8