



US00D949652S

(12) **United States Design Patent**  
**Tian**

(10) **Patent No.:** **US D949,652 S**

(45) **Date of Patent:** **\*\* Apr. 26, 2022**

- (54) **ELECTRIC SOLDERING IRON**
- (71) Applicant: **T&G INDUSTRIAL LIMITED**, Hong Kong (CN)
- (72) Inventor: **Li Tian**, Shenzhen (CN)
- (73) Assignee: **T&G INDUSTRIAL LIMITED**, Hong Kong (CN)
- (\*\*) Term: **15 Years**
- (21) Appl. No.: **29/787,373**
- (22) Filed: **Jun. 6, 2021**
- (51) **LOC (13) Cl.** ..... **08-05**
- (52) **U.S. Cl.**  
USPC ..... **D8/30; D15/144.2**
- (58) **Field of Classification Search**  
USPC ..... **D8/30; D15/144.2**  
CPC ... **B23K 3/00; B23K 3/02; B23K 3/03; B23K 3/08**  
See application file for complete search history.

- D559,055 S \* 1/2008 Axinte ..... D8/30
- D564,319 S \* 3/2008 Tsai ..... D8/30
- D626,809 S \* 11/2010 Louet-Feisser ..... D8/30
- D660,667 S \* 5/2012 Miyazaki ..... D8/30
- D698,378 S \* 1/2014 Leiteritz ..... D15/144.2
- D722,256 S \* 2/2015 Kita ..... D8/30
- D739,696 S \* 9/2015 Miyazaki ..... D8/30
- D787,907 S \* 5/2017 Exley ..... D8/30
- D810,532 S \* 2/2018 Tsai ..... D8/30
- D813,628 S \* 3/2018 Tsai ..... D8/30
- D813,629 S \* 3/2018 Tsai ..... D8/30
- D829,520 S \* 10/2018 Miyazaki ..... D8/30
- D837,848 S \* 1/2019 Murphy ..... D8/30
- D848,232 S \* 5/2019 Tsai ..... D8/30
- D852,596 S \* 7/2019 Mantes ..... D8/30
- D862,547 S \* 10/2019 Xie ..... D8/30
- D879,169 S \* 3/2020 Xu ..... D8/30
- D887,801 S \* 6/2020 Li ..... D8/30
- D888,529 S \* 6/2020 Hartel ..... D8/30

(Continued)

*Primary Examiner* — Michael C Stout  
*Assistant Examiner* — Fitzgerald L Butac

(57) **CLAIM**

The ornamental design for an electric soldering iron, as shown and described.

**DESCRIPTION**

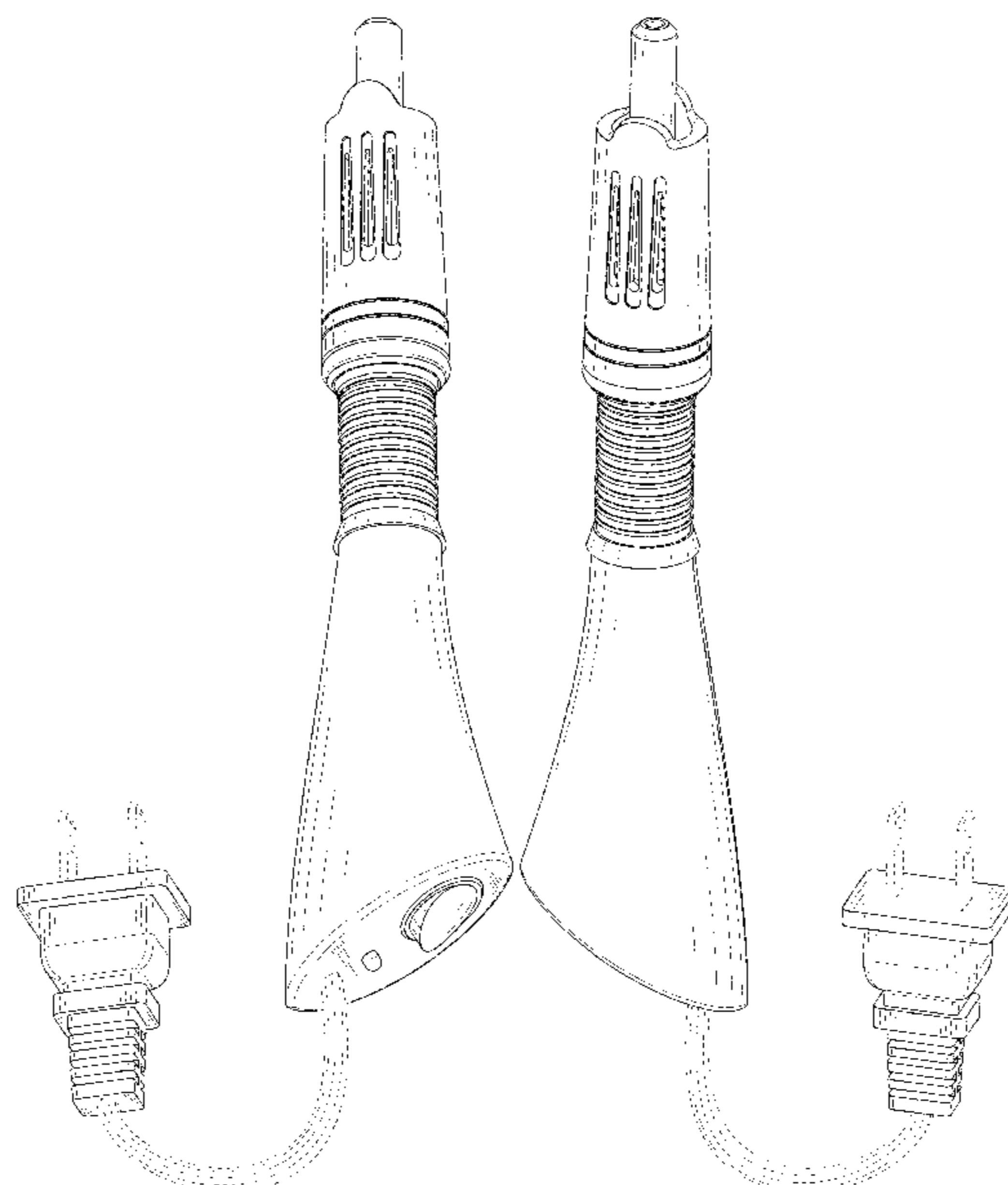
FIG. 1 is a perspective view of an electric soldering iron showing my new design;  
FIG. 2 is another perspective view thereof;  
FIG. 3 is a front elevational view thereof;  
FIG. 4 is a rear elevational view thereof;  
FIG. 5 is a left side elevational view thereof;  
FIG. 6 is a right side elevational view thereof;  
FIG. 7 is a top plan view thereof; and,  
FIG. 8 is a bottom plan view thereof.  
The broken lines in the drawings depict portions of the electric soldering iron that form no part of the claimed design.

**1 Claim, 8 Drawing Sheets**

(56) **References Cited**

**U.S. PATENT DOCUMENTS**

- D194,318 S \* 1/1963 Knowles ..... D8/30
- D212,884 S \* 12/1968 Disko ..... D19/182
- D228,440 S \* 9/1973 Mestrovic ..... D8/30
- D243,147 S \* 1/1977 Sylvester ..... D8/30
- D295,017 S \* 4/1988 Evenson ..... D8/30
- D315,853 S \* 4/1991 Zaborowski ..... D8/30
- D317,704 S \* 6/1991 Zaborowski ..... D8/30
- D440,991 S \* 4/2001 Fujiwara ..... D15/144.2
- D442,447 S \* 5/2001 Fujiwara ..... D8/30
- D516,884 S \* 3/2006 Axinte ..... D8/30
- D522,328 S \* 6/2006 Miyazaki ..... D8/30
- D530,168 S \* 10/2006 Doi ..... D8/30
- D533,416 S \* 12/2006 Axinte ..... D8/30
- D549,255 S \* 8/2007 Axinte ..... D15/144
- D553,925 S \* 10/2007 Axinte ..... D8/30



(56)

**References Cited**

U.S. PATENT DOCUMENTS

D891,209 S *	7/2020	Gou .....	D8/30
D892,579 S *	8/2020	Cheng .....	D8/30
D897,172 S *	9/2020	Kita .....	D8/30
D897,173 S *	9/2020	Ding .....	D8/30

\* cited by examiner

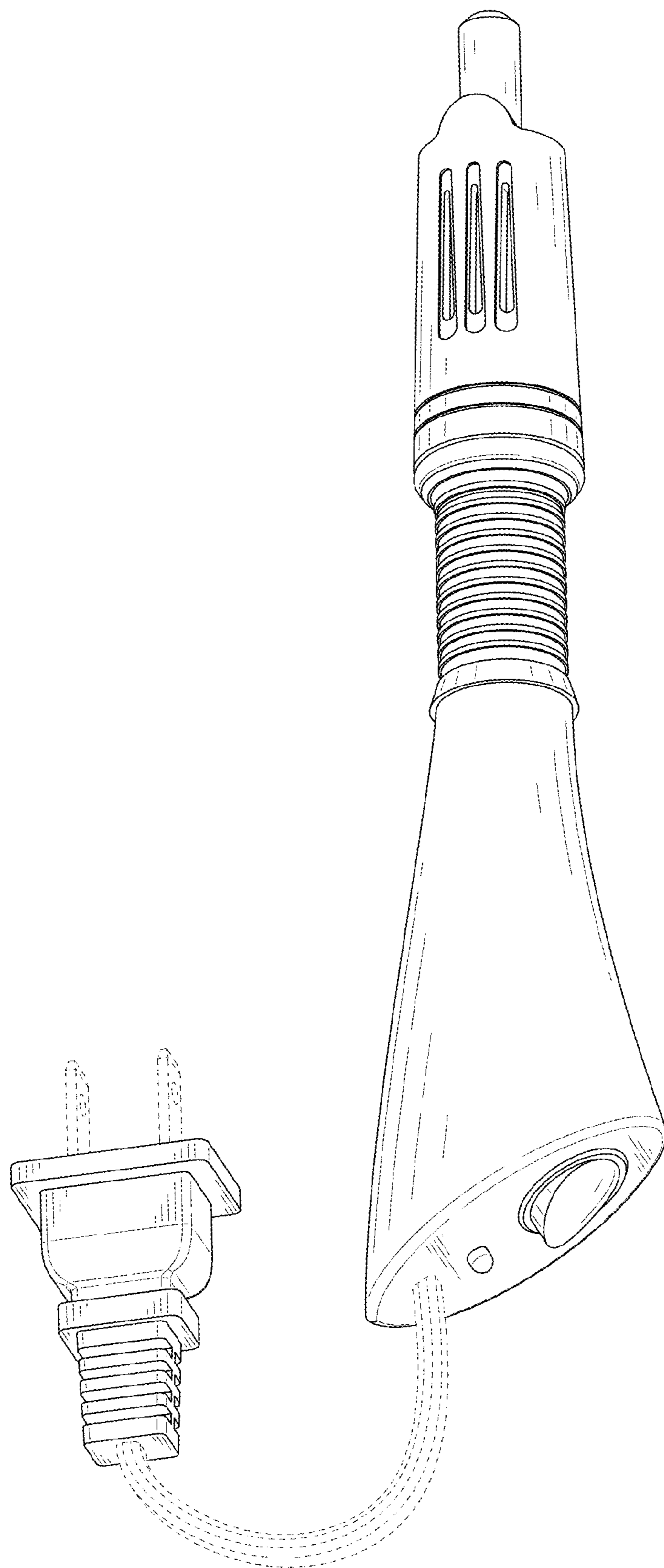


FIG. 1

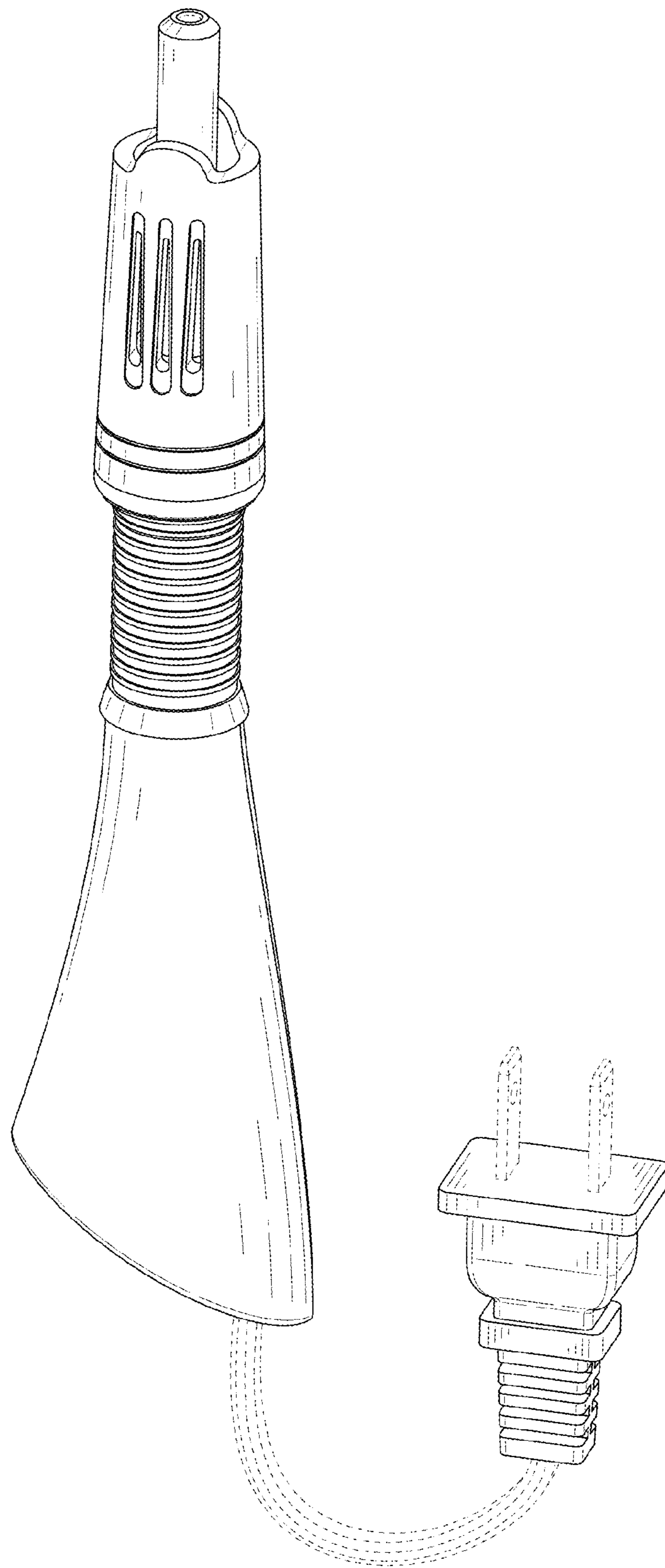


FIG. 2

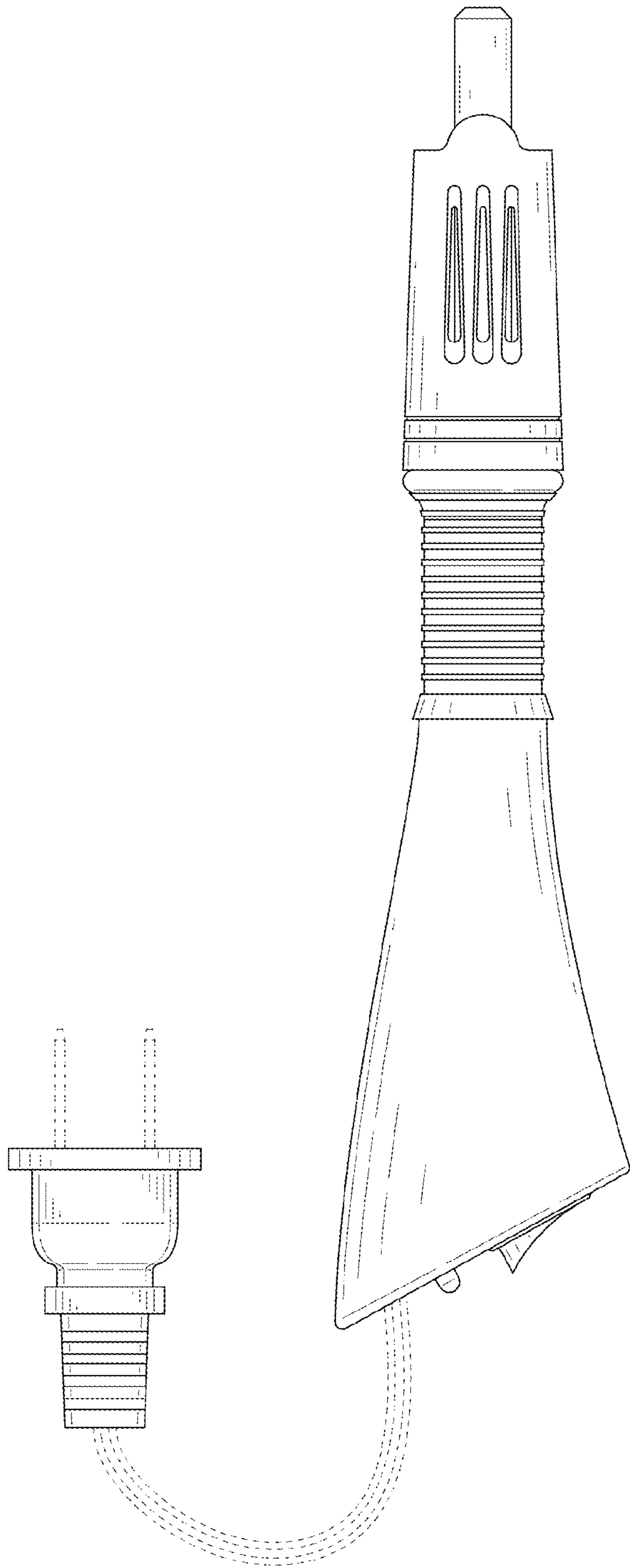


FIG. 3

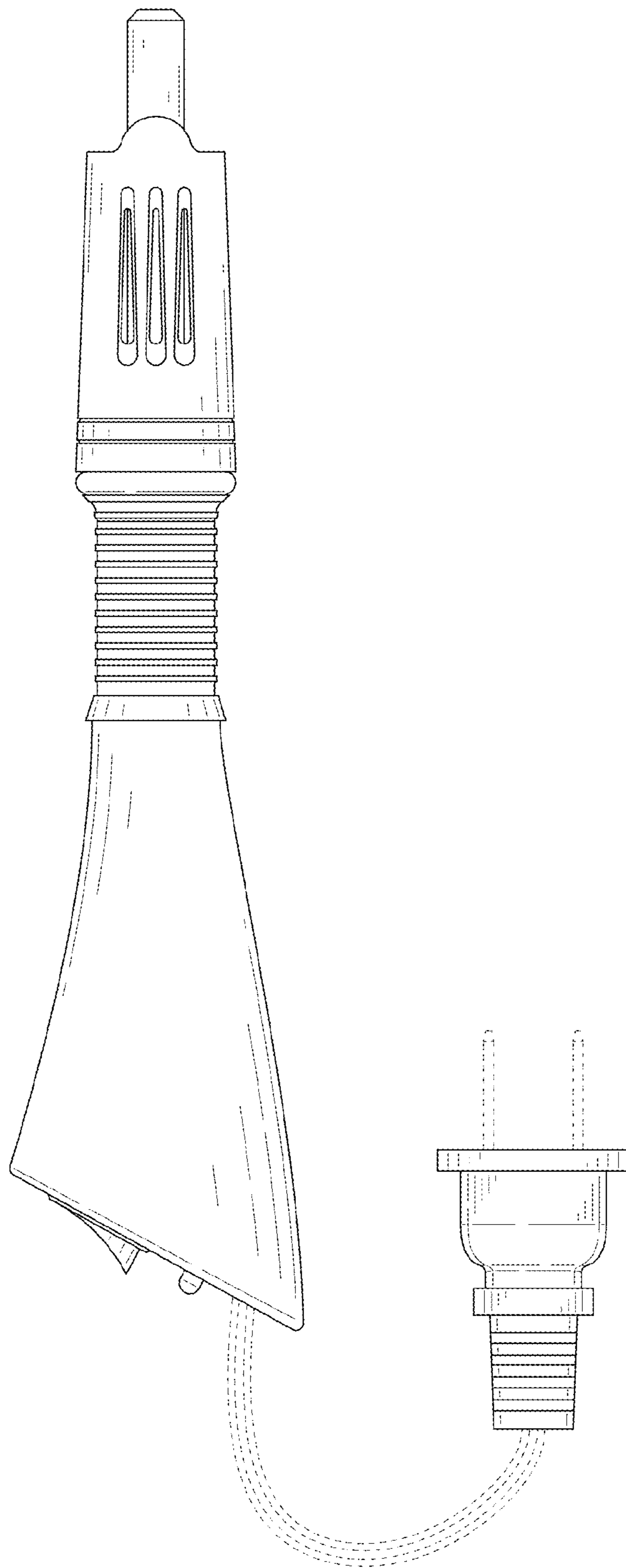


FIG. 4

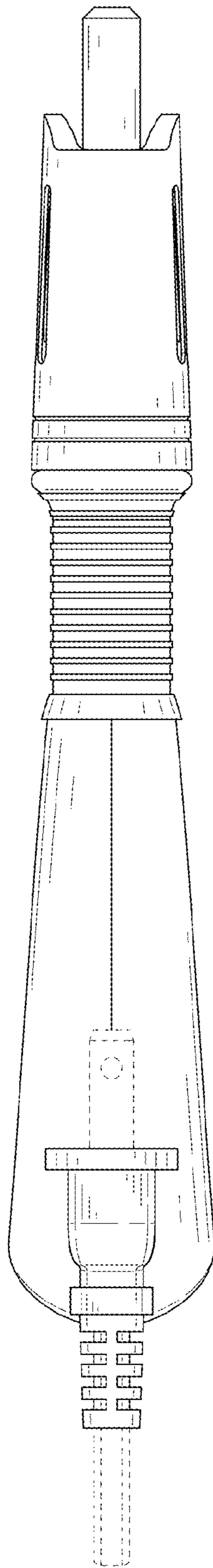


FIG. 5

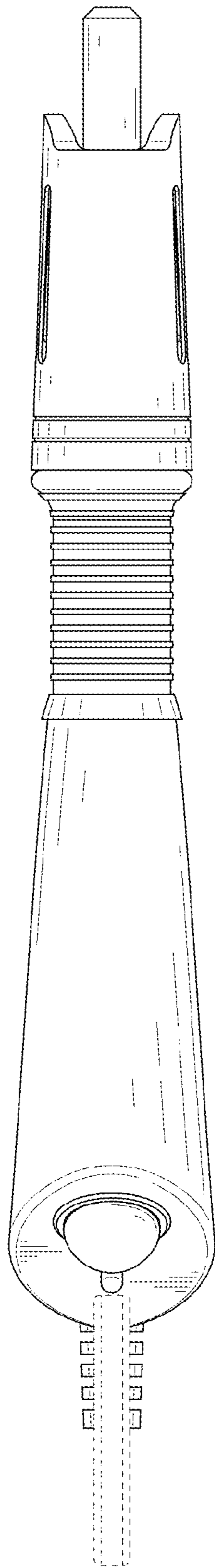


FIG. 6



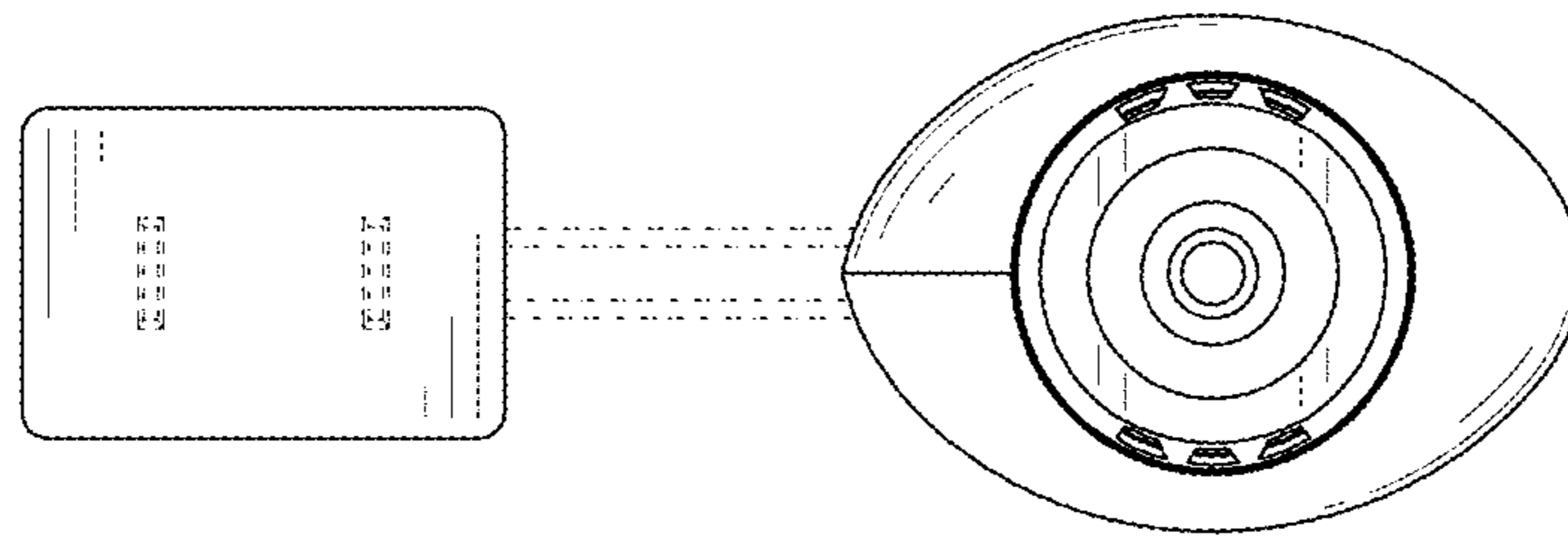


FIG. 7

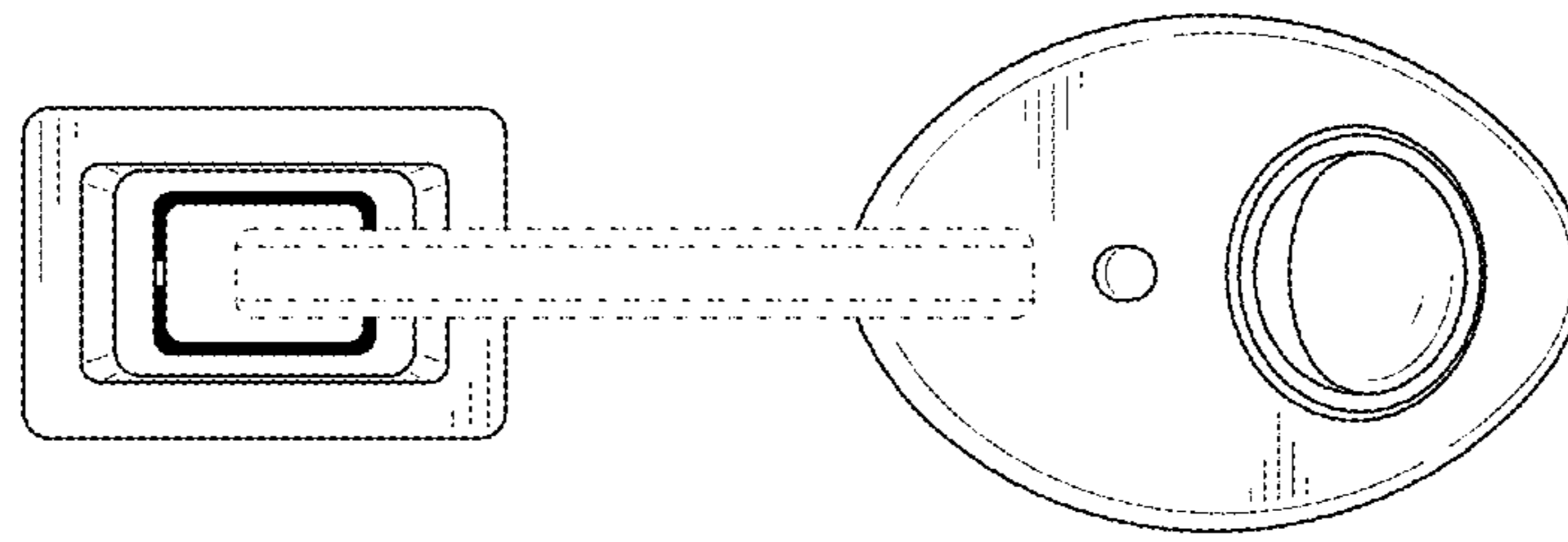


FIG. 8