



US00D949651S

(12) **United States Design Patent**
Preston

(10) **Patent No.:** **US D949,651 S**

(45) **Date of Patent:** **** Apr. 26, 2022**

- (54) **UNIVERSAL CHOKE WRENCH**
- (71) Applicant: **Michael Preston**, Clinton, PA (US)
- (72) Inventor: **Michael Preston**, Clinton, PA (US)
- (**) Term: **15 Years**
- (21) Appl. No.: **29/751,778**
- (22) Filed: **Sep. 23, 2020**
- (51) **LOC (13) Cl.** **08-05**
- (52) **U.S. Cl.**
USPC **D8/21; D8/105**
- (58) **Field of Classification Search**
USPC D8/14, 21, 26, 105
CPC B25B 33/00; B25B 33/005; B25B 13/44;
B25B 13/00; B25B 13/005; B25B 13/465;
B25B 15/008; B25B 13/461
See application file for complete search history.

- 6,374,706 B1 4/2002 Newman
- 7,331,261 B2 2/2008 Blizniuk et al.
- D586,634 S * 2/2009 Lai D8/21
- D661,561 S * 6/2012 Stinson D8/29
- 8,393,252 B2 * 3/2013 Hsieh B25B 13/465
81/63.2
- 8,707,489 B1 * 4/2014 Huhn B25B 13/06
7/138
- 9,097,070 B2 8/2015 Hunter
- D811,192 S * 2/2018 Gehrung D8/105
- D880,262 S * 4/2020 Sims Sr. D8/14
- 2013/0014616 A1 * 1/2013 Putsch B25F 1/04
81/121.1
- 2018/0126518 A1 * 5/2018 Chan B25B 13/005

* cited by examiner

Primary Examiner — Philip S Hyder

(74) *Attorney, Agent, or Firm* — Cramer Patent & Design, PLLC; Aaron R. Cramer

(57) **CLAIM**

The ornamental design for a universal choke wrench, as shown and described.

DESCRIPTION

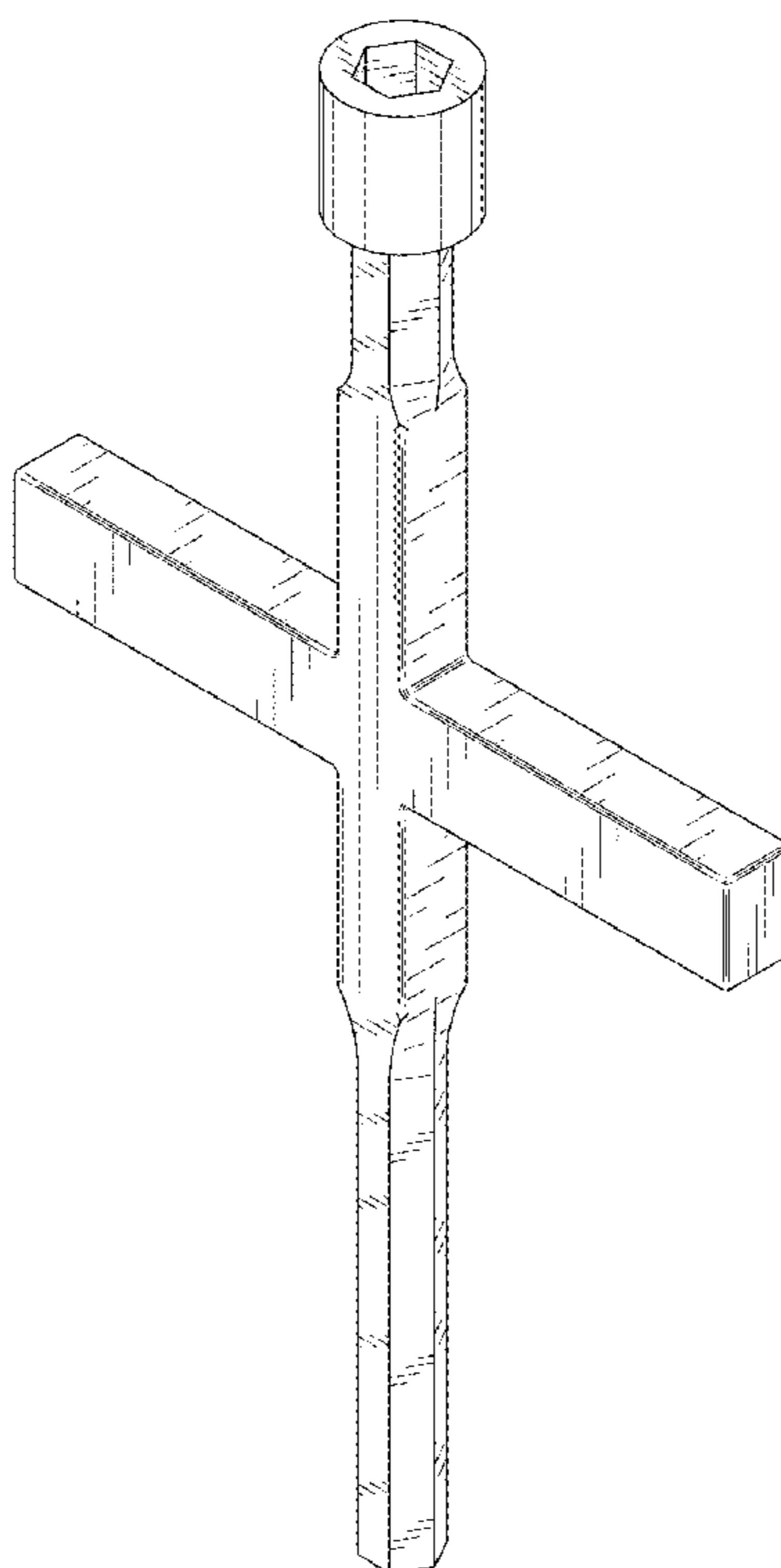
FIG. 1 is a perspective top front right view of a universal choke wrench, showing my new design;
 FIG. 2 is a perspective top rear left view thereof;
 FIG. 3 is a front elevation view thereof;
 FIG. 4 is a rear elevation view thereof;
 FIG. 5 is a right elevation view thereof;
 FIG. 6 is a left elevation view thereof;
 FIG. 7 is a top plan view thereof; and,
 FIG. 8 is a bottom plan view thereof.

1 Claim, 6 Drawing Sheets

(56) **References Cited**

U.S. PATENT DOCUMENTS

- 2,549,910 A 4/1951 Lane
- 3,276,299 A 10/1966 Halburian
- 3,416,395 A * 12/1968 Hanson B25B 23/16
81/125
- 4,291,425 A 9/1981 Sweitzer
- 4,644,974 A 2/1987 Zingg
- 4,856,387 A 8/1989 Gibson
- 5,272,942 A 12/1993 Hull et al.
- 5,685,207 A 11/1997 Hubert
- D399,716 S * 10/1998 Carr D8/21
- 6,336,385 B1 * 1/2002 Wang B25B 13/56
81/177.4



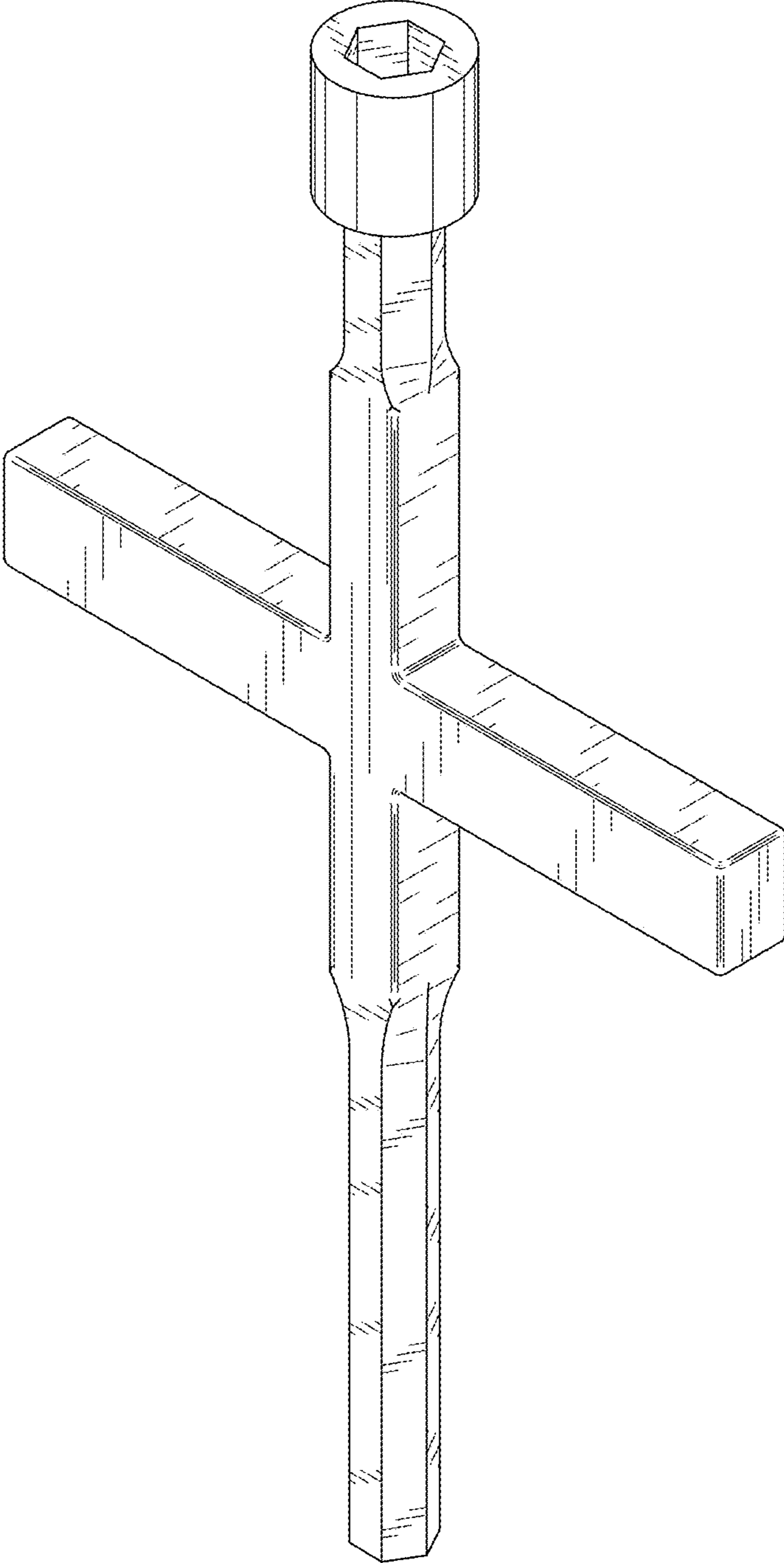


FIG. 1

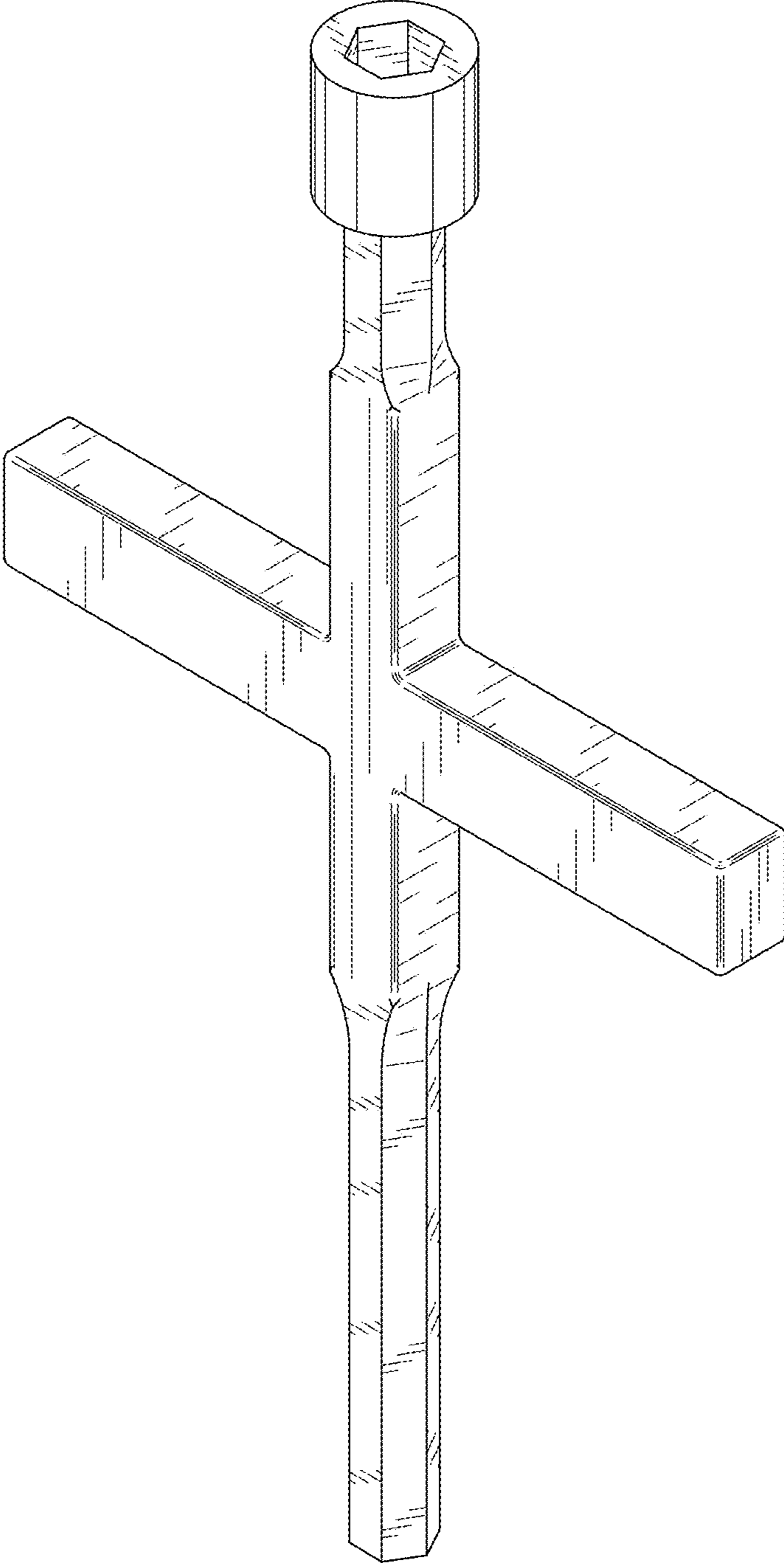


FIG. 2

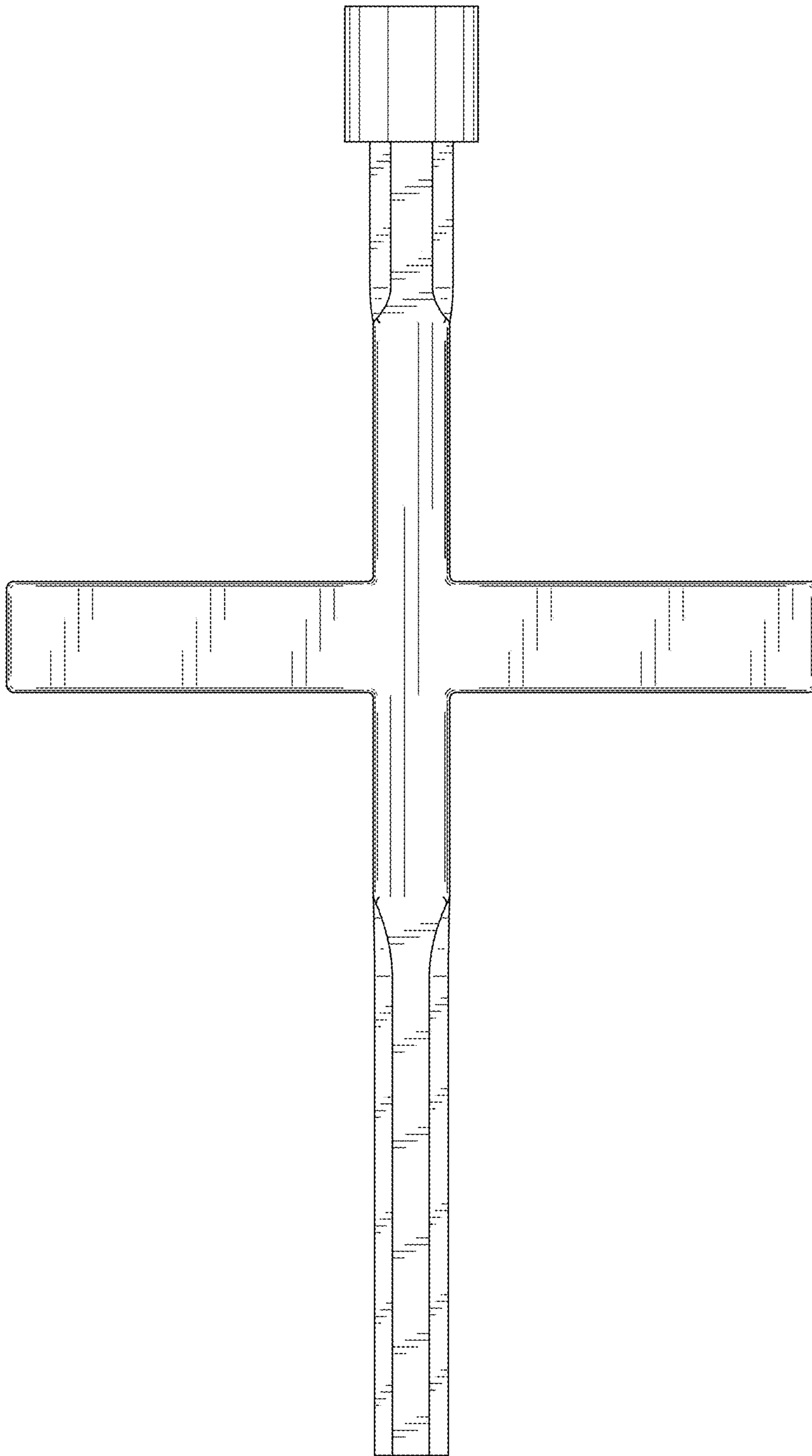


FIG. 3

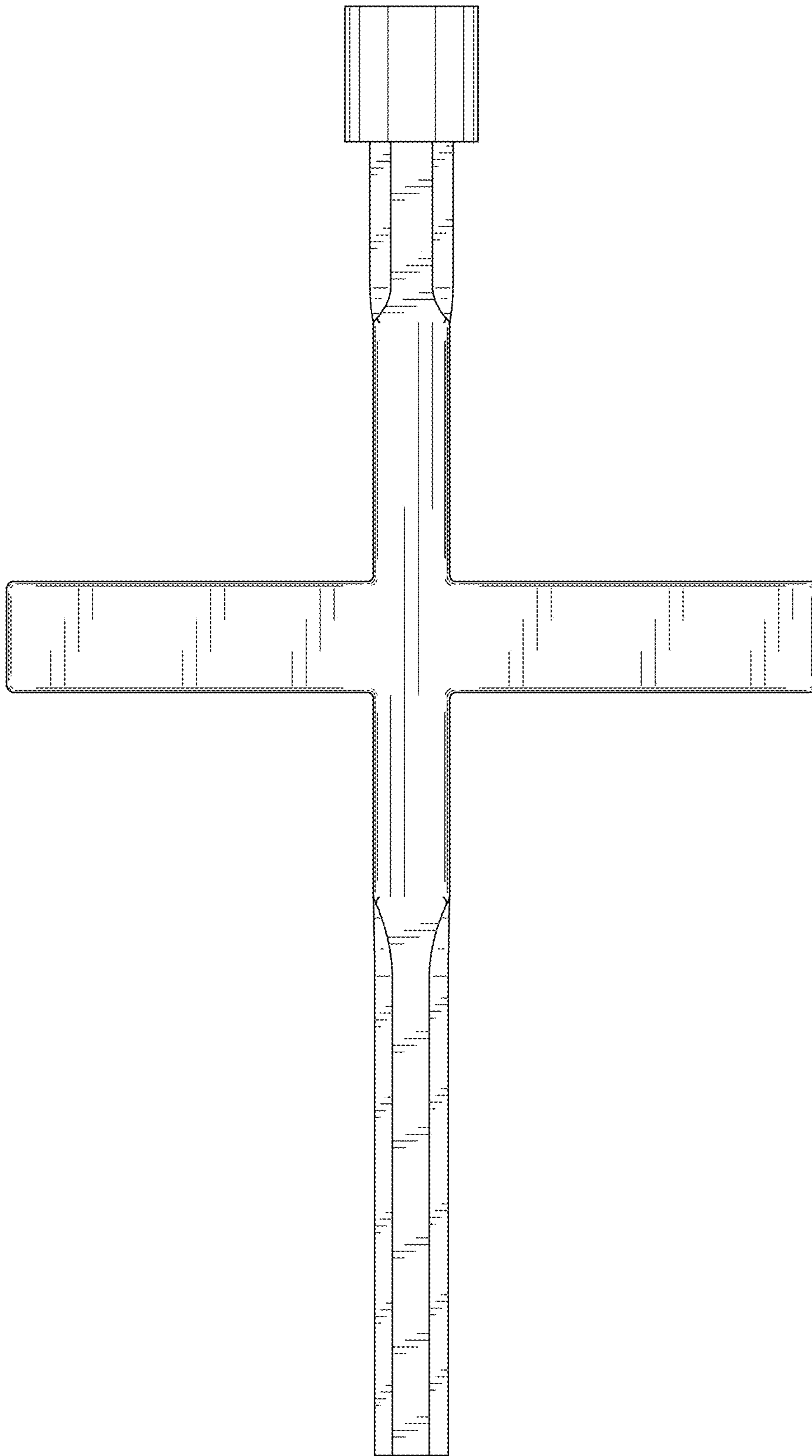


FIG. 4

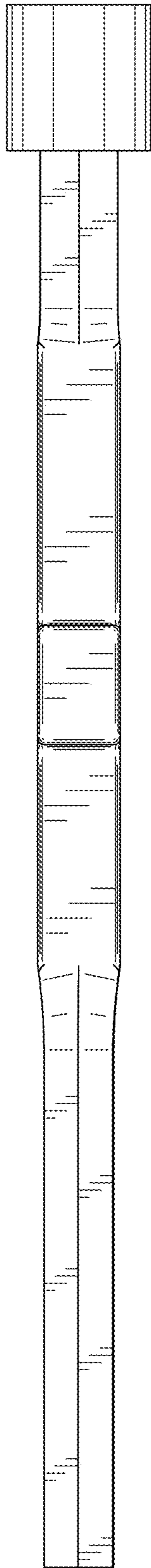


FIG. 5

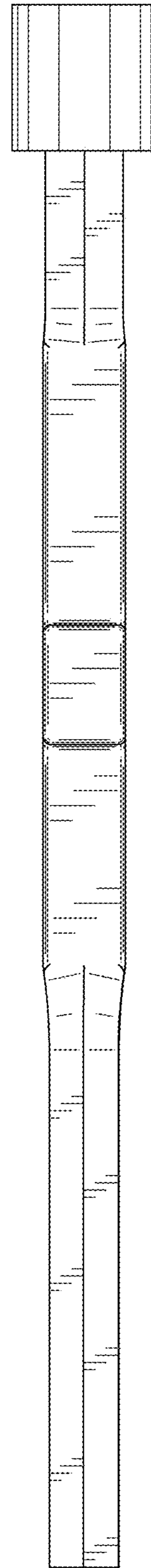


FIG. 6

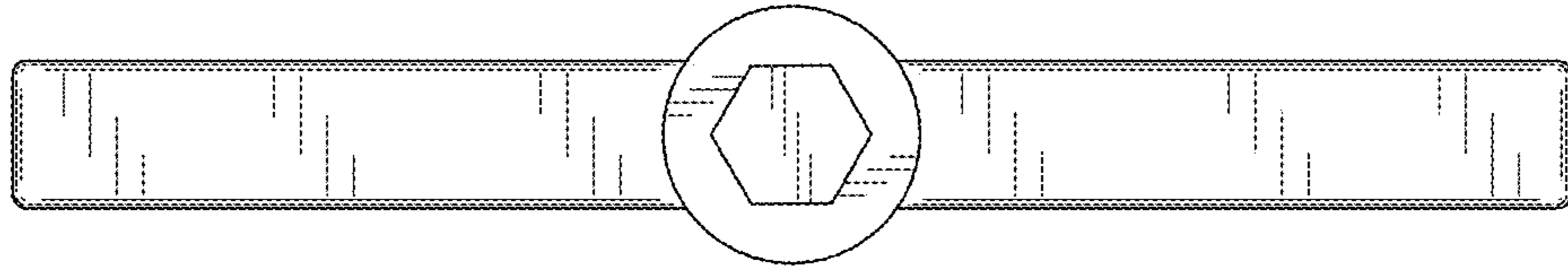


FIG. 7

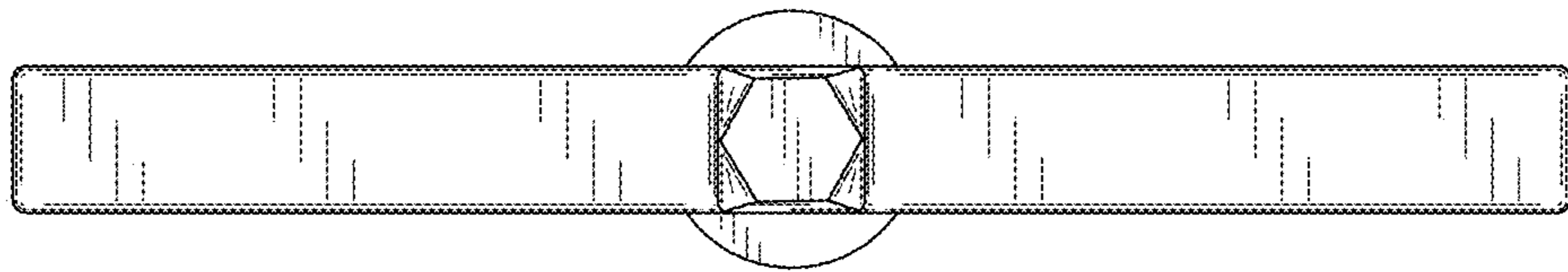


FIG. 8