



US00D949649S

(12) **United States Design Patent**  
**Burdick**

(10) **Patent No.:** **US D949,649 S**

(45) **Date of Patent:** **\*\* Apr. 26, 2022**

- (54) **CARPENTRY PUSH BLOCK**
- (71) Applicant: **Brett Rex Burdick**, Knoxville, TN (US)
- (72) Inventor: **Brett Rex Burdick**, Knoxville, TN (US)
- (\*\*) Term: **15 Years**
- (21) Appl. No.: **29/755,941**
- (22) Filed: **Oct. 23, 2020**
- (51) **LOC (13) Cl.** ..... **08-05**
- (52) **U.S. Cl.**  
USPC ..... **D8/14**
- (58) **Field of Classification Search**  
USPC ..... D8/14, 45, 90, 107  
CPC .. B27B 25/10; Y10T 83/6638; Y10T 83/6499  
See application file for complete search history.

- D561,791 S \* 2/2008 Kozina ..... D15/142
- 7,861,428 B1 \* 1/2011 Clark ..... G01B 3/04  
33/427
- D665,638 S \* 8/2012 Krohmer ..... D8/14
- D804,921 S \* 12/2017 Neubauer ..... D8/14
- D920,061 S \* 5/2021 Liao ..... D8/14
- D920,062 S \* 5/2021 Liao ..... D8/14
- 2006/0123961 A1 6/2006 Fontaine

\* cited by examiner

*Primary Examiner* — Philip S Hyder  
(74) *Attorney, Agent, or Firm* — Luedeka Neely Group, PC

(57) **CLAIM**

The ornamental design for a carpentry push block, as shown and described.

**DESCRIPTION**

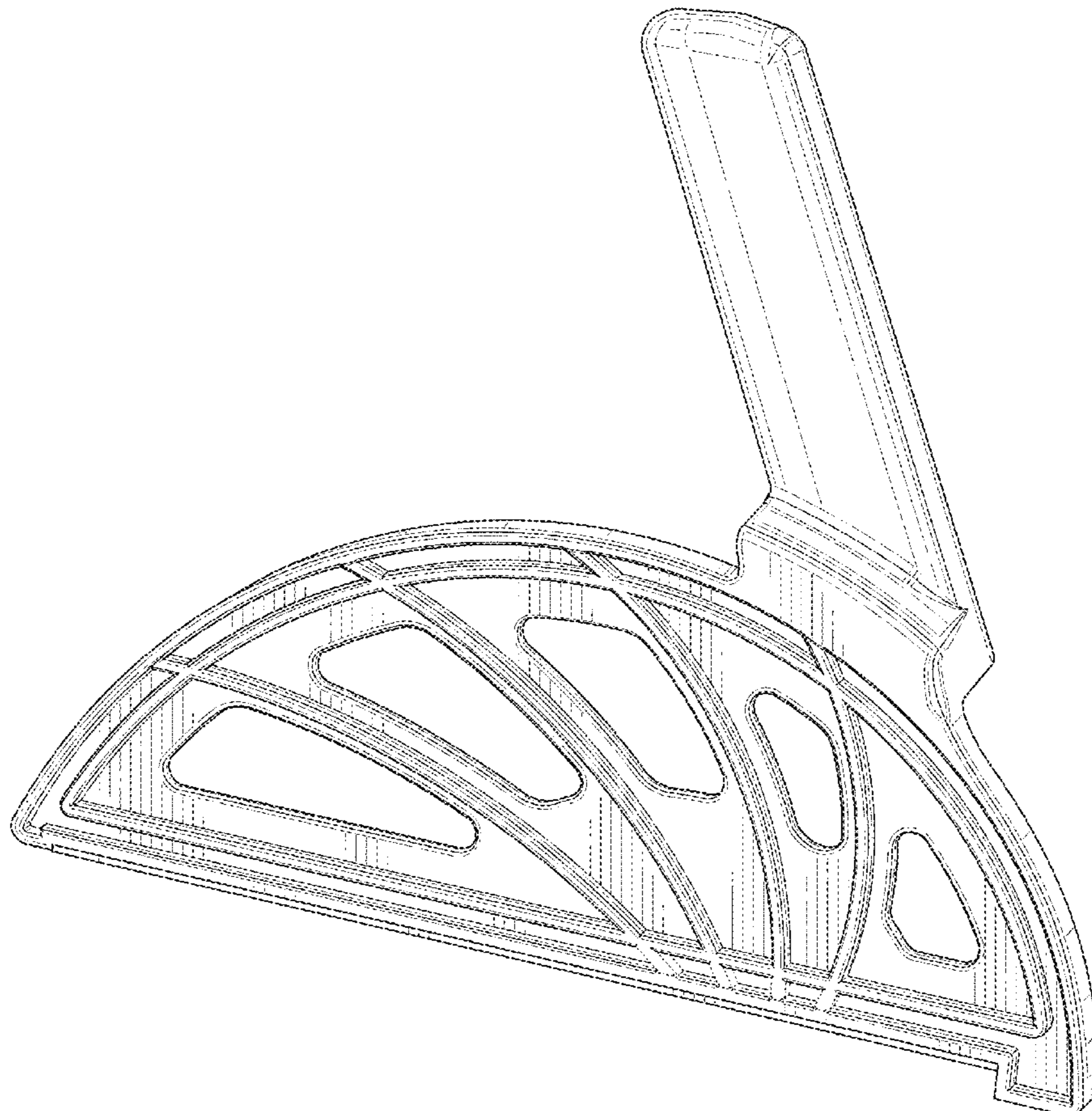
FIG. 1 is a right side perspective view of a carpentry push block of my new design.  
FIG. 2 is a left side perspective view thereof.  
FIG. 3 is a left side view thereof.  
FIG. 4 is a right side view thereof.  
FIG. 5 is a front view thereof; and,  
FIG. 6 is a rear view thereof.  
The broken lines in the drawings form no part of the claimed design.

(56) **References Cited**

U.S. PATENT DOCUMENTS

- D278,790 S \* 5/1985 Chaney ..... D8/14
- 6,135,521 A \* 10/2000 Wirth, Jr. .... B27B 25/10  
294/15
- 6,732,623 B1 \* 5/2004 Jennings ..... B27B 25/10  
83/436.2

**1 Claim, 6 Drawing Sheets**



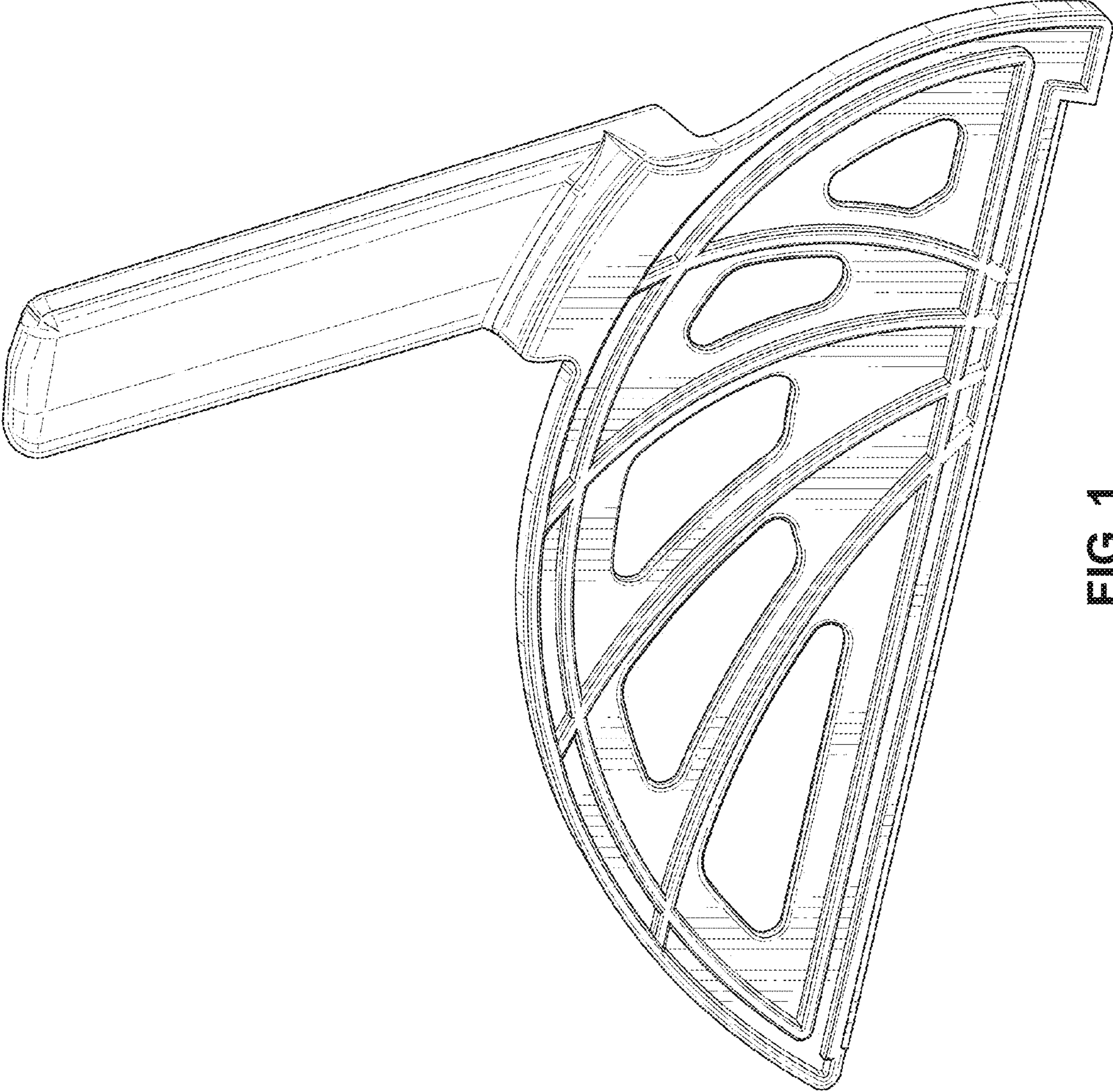


FIG. 1

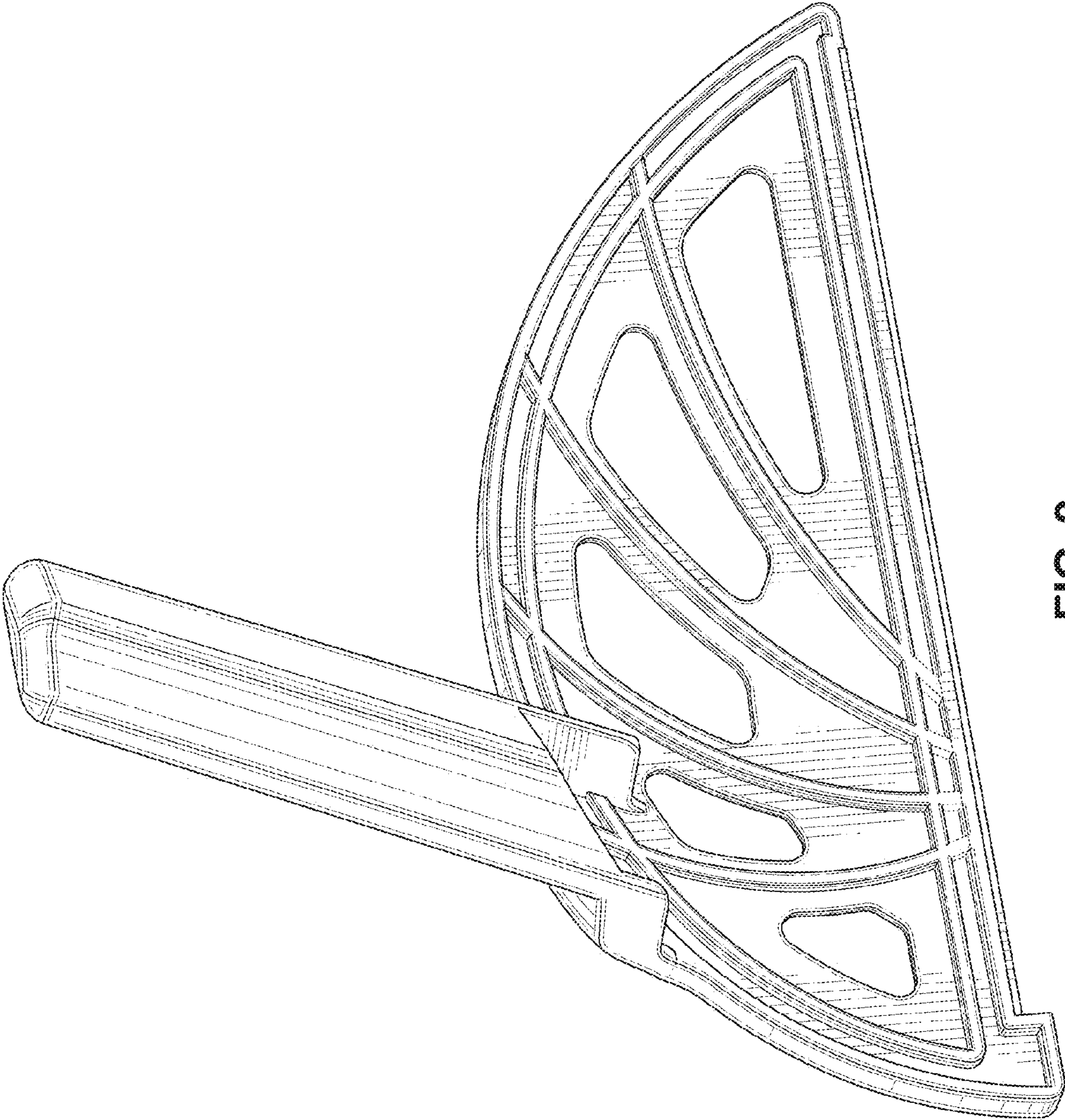


FIG. 2

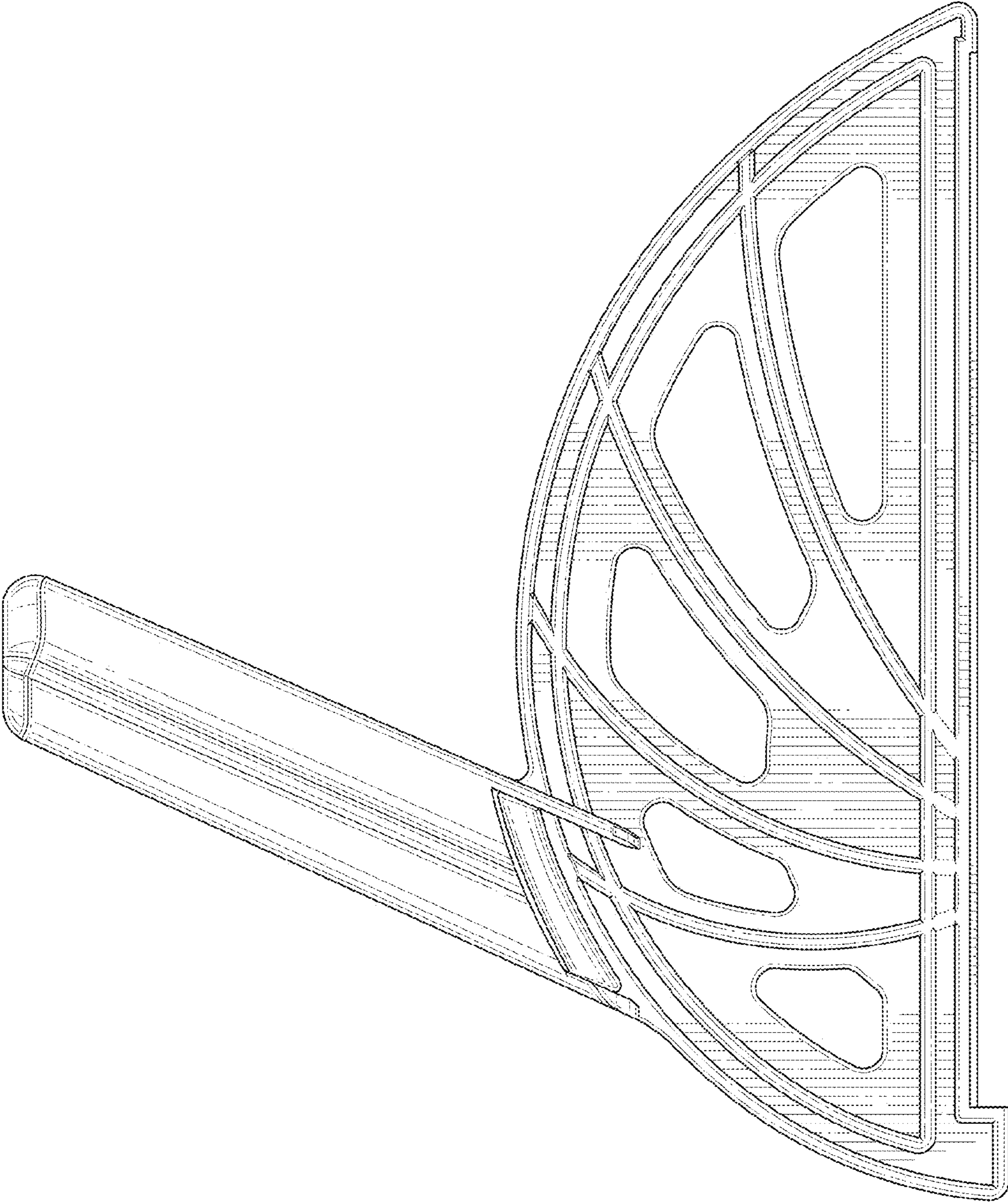


FIG. 3

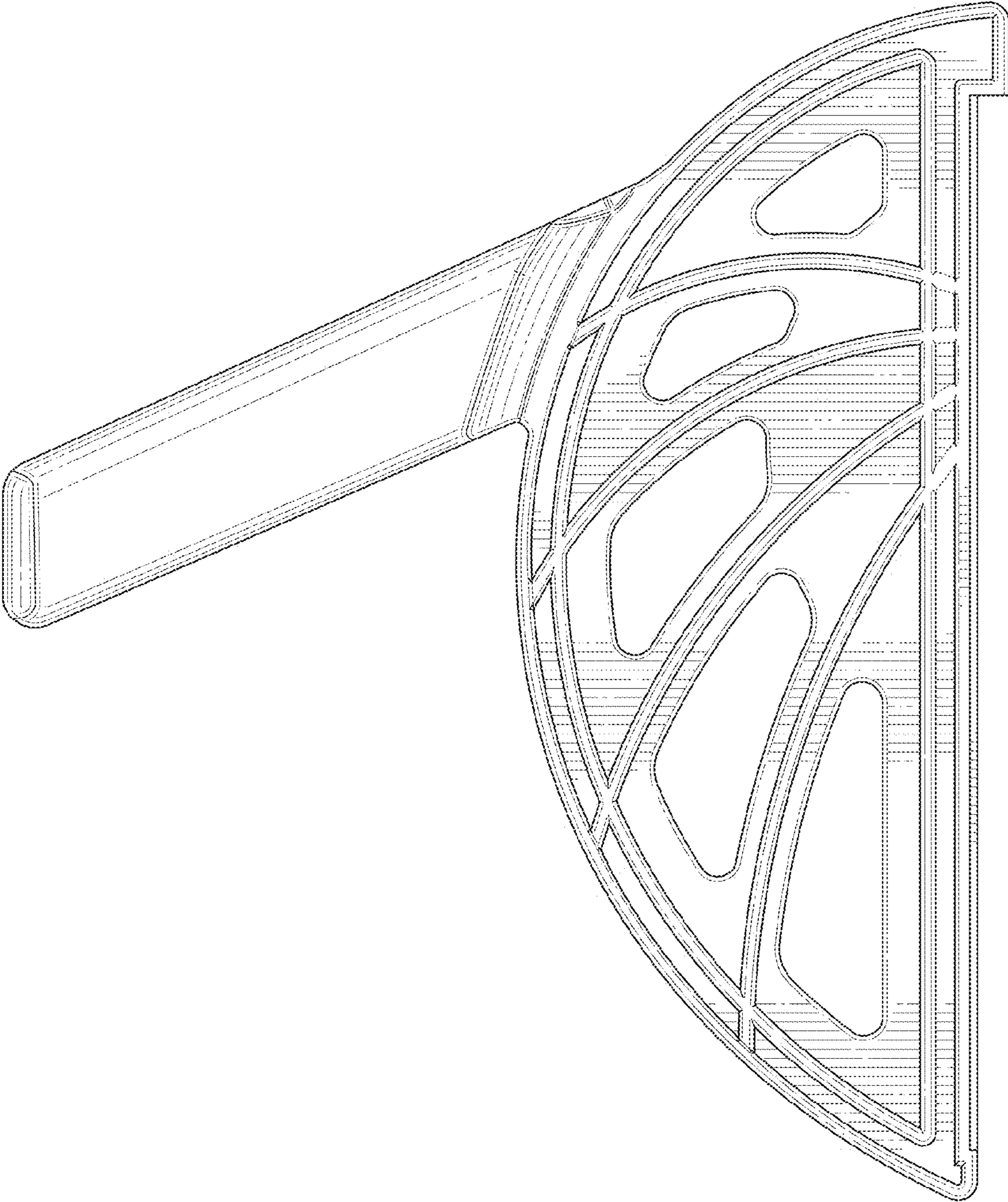
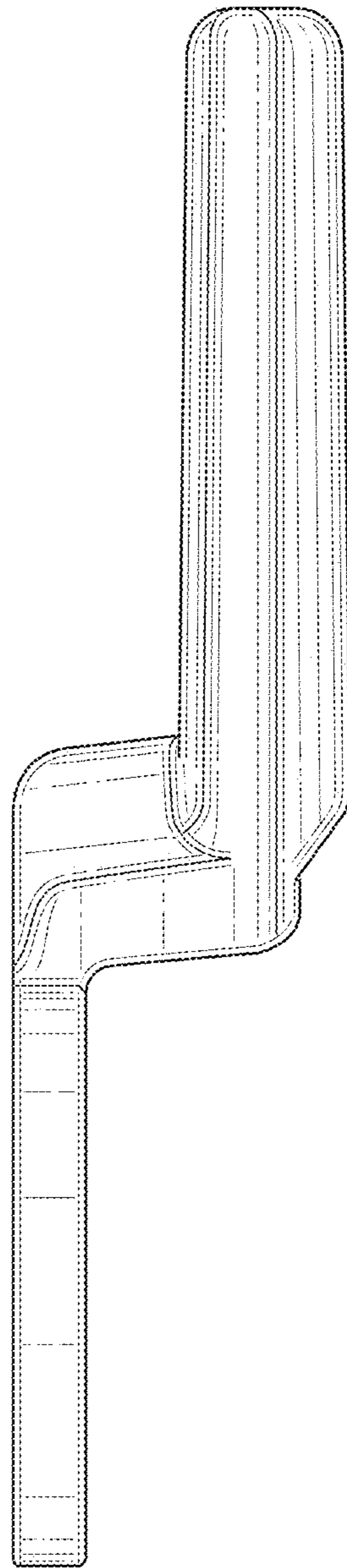


FIG. 4



**FIG. 5**

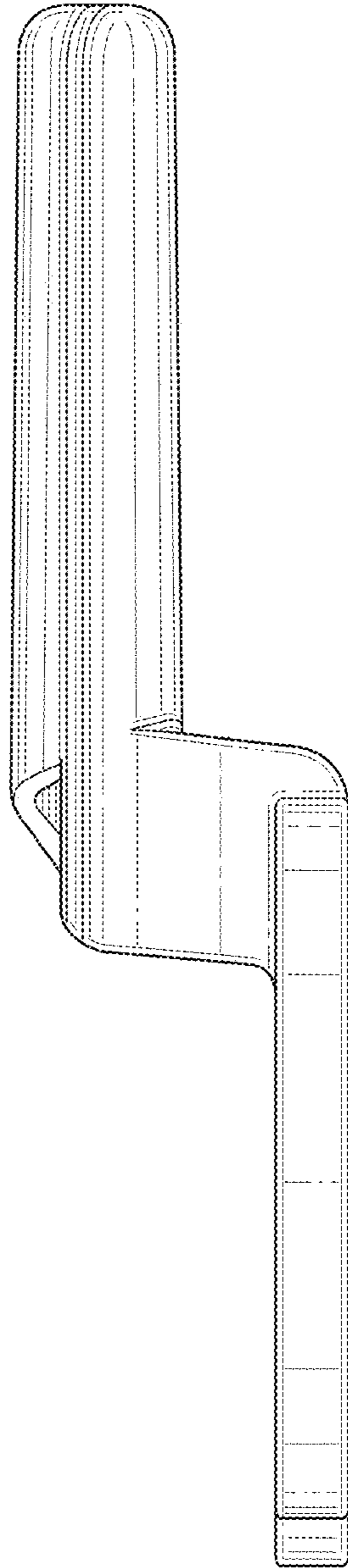


FIG. 6