



US00D949646S

(12) **United States Design Patent**
Kohls et al.

(10) **Patent No.:** **US D949,646 S**
(45) **Date of Patent:** **** Apr. 26, 2022**

(54) **GROW TUBE**

- (71) Applicant: **Polyform, Inc.**, Salem, OR (US)
- (72) Inventors: **Patrick Kohls**, Las Vegas, NV (US);
Jonathan Kohls, Salem, OR (US)
- (73) Assignee: **Polyform, Inc.**, Salem, OR (US)
- (**) Term: **15 Years**

- (21) Appl. No.: **29/682,336**
- (22) Filed: **Mar. 4, 2019**
- (51) **LOC (13) Cl.** **08-01**
- (52) **U.S. Cl.**
USPC **D8/1; D9/711**
- (58) **Field of Classification Search**
USPC **D8/1; D9/433, 702, 711, 712**
CPC **A01G 13/04; A01G 13/0243; A01G 13/0281; A01G 9/026; A01G 23/04; A01C 14/00; B65D 7/04**
See application file for complete search history.

(56) **References Cited**

U.S. PATENT DOCUMENTS

- 1,324,668 A * 12/1919 Harris A01G 13/0243
47/30
- 1,548,682 A * 8/1925 Gulin A01G 13/0243
47/30
- 2,260,436 A * 10/1941 Chambers A01G 13/04
47/29.5
- D236,695 S * 9/1975 Elford D9/433
- 5,020,271 A * 6/1991 Walker A01G 13/0281
47/21.1
- D494,467 S * 8/2004 Ohno A01G 9/026
D9/432
- D517,912 S * 3/2006 Hallberg D9/433
(Continued)

FOREIGN PATENT DOCUMENTS

- EP 2532225 A1 * 12/2012 A01G 13/0243

OTHER PUBLICATIONS

OVS, "Grow Tubes and Milk Cartons," retrieved from <http://ovs.com/product/grow-tubes-milk-cartons> on or before Jan. 8, 2019, 2 pages.

(Continued)

Primary Examiner — Calvin E Vansant
(74) *Attorney, Agent, or Firm* — Klarquist Sparkman, LLP

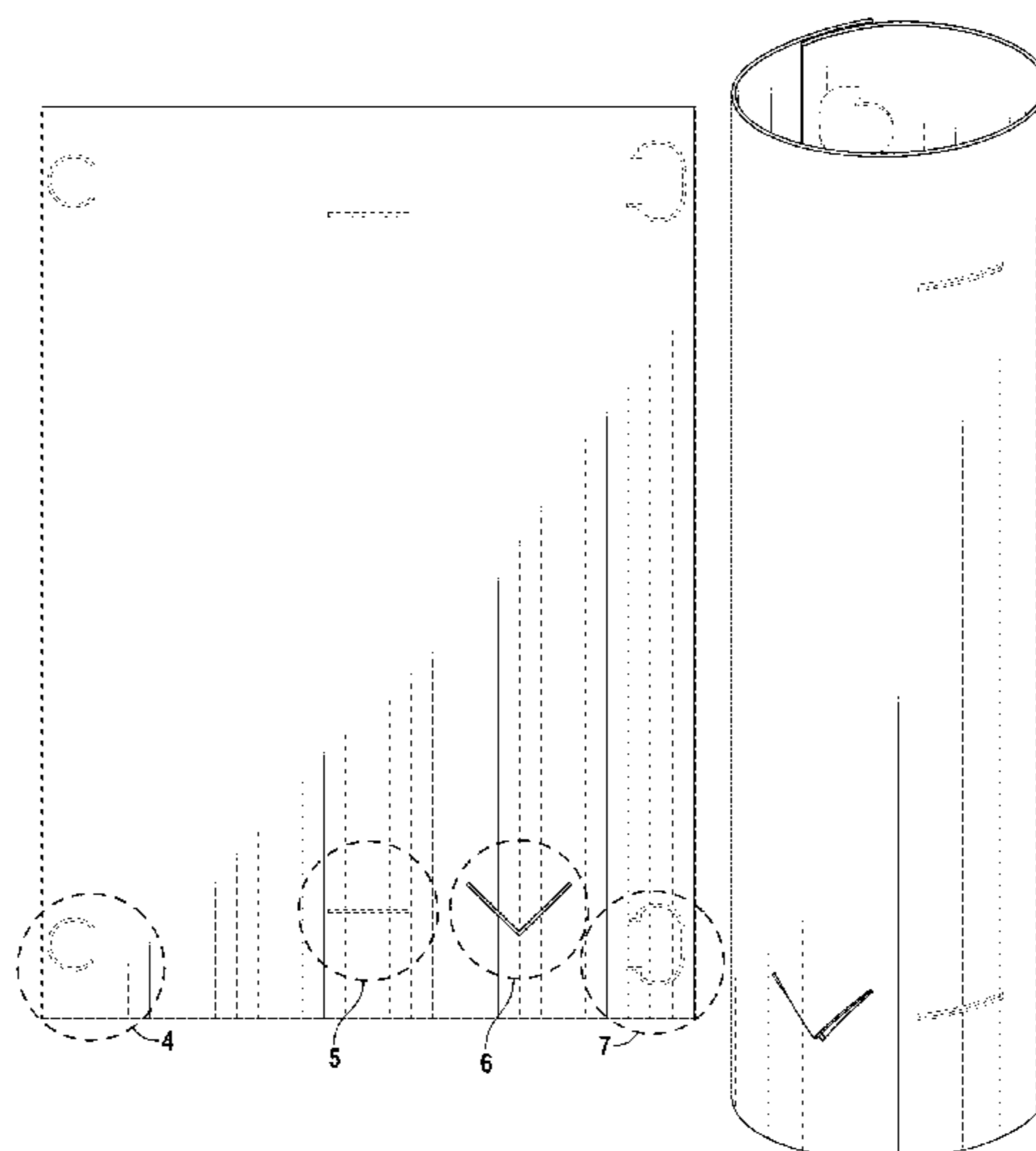
(57) **CLAIM**

The ornamental design for a grow tube, as shown and described.

DESCRIPTION

FIG. 1 is a front elevation view of the grow tube, showing the grow tube in a flat configuration.
 FIG. 2 is a side elevation view of the grow tube, showing the grow tube in the flat configuration.
 FIG. 3 is a top plan view of the grow tube, showing the grow tube in the flat configuration.
 FIG. 4 is a detail view of the grow tube, taken from the perspective 4 indicated in FIG. 1.
 FIG. 5 is a detail view of the grow tube, taken from perspective 5 indicated in FIG. 1.
 FIG. 6 is a detail view of the grow tube, taken from the perspective 6 indicated in FIG. 1.
 FIG. 7 is a detail view of the grow tube, taken from the perspective 7 indicated in FIG. 1.
 FIG. 8 is a perspective view of the grow tube, showing the grow tube in a tubular configuration.
 FIG. 9 is a partial perspective view of the grow tube, showing the grow tube in the tubular configuration; and,
 FIG. 10 is a perspective view of the grow tube, showing the grow tube in the tubular configuration and in an exemplary environment.
 The broken lines shown in the drawings depict portions of the grow tube and environment that form no part of the claim.

1 Claim, 5 Drawing Sheets



(56)

References Cited

U.S. PATENT DOCUMENTS

D565,652 S * 4/2008 Farrell D19/26
D594,327 S * 6/2009 Shea D9/433
D881,698 S * 4/2020 Jacobsson D9/431
D885,889 S * 6/2020 Nelson D9/433
D896,639 S * 9/2020 Delgado D9/433
2016/0227712 A1 * 8/2016 Perez-Vega A01G 9/026
2020/0359575 A1 * 11/2020 Wilson A01G 13/0243

OTHER PUBLICATIONS

Plantra, "Grow Tubes for Trees," retrieved from https://www.plantra.com/GROW-TUBES-FOR-TREES_c_119.html on or before Jan. 8, 2019, 3 pages.

Plantra, "Grow Tubes for Vines," retrieved from https://www.plantra.com/GROW-TUBES-FOR-VINES_c_121.html on or before Jan. 8, 2019, 4 pages.

Wilson Orchard & Vineyard Supply, "Vine Shelters & Tubes," retrieved from <https://www.wilsonirr.com/ecommerce/vineyard/vine-shelters-tubes.php> on or before Jan. 8, 2019, 1 page.

Wilson Orchard and Vineyard Supply, "Tree Guards," retrieved from <https://www.wilsonirr.com/ecommerce/tree-training-protectors/tree-guards.php> on or before Jan. 8, 2019, 2 pages.

* cited by examiner

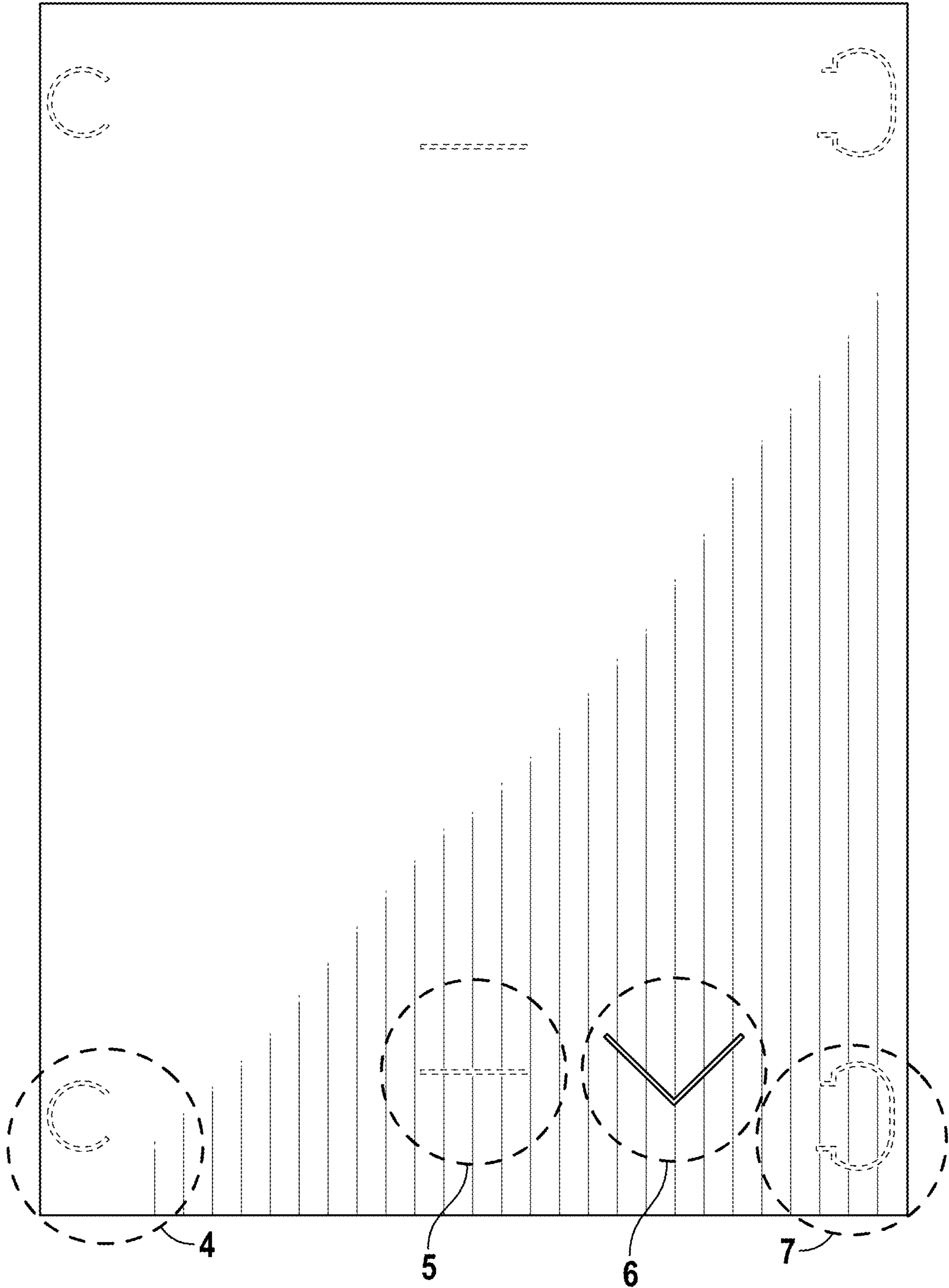


FIG. 1



FIG. 2

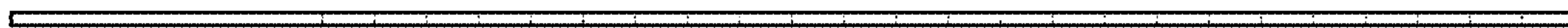


FIG. 3

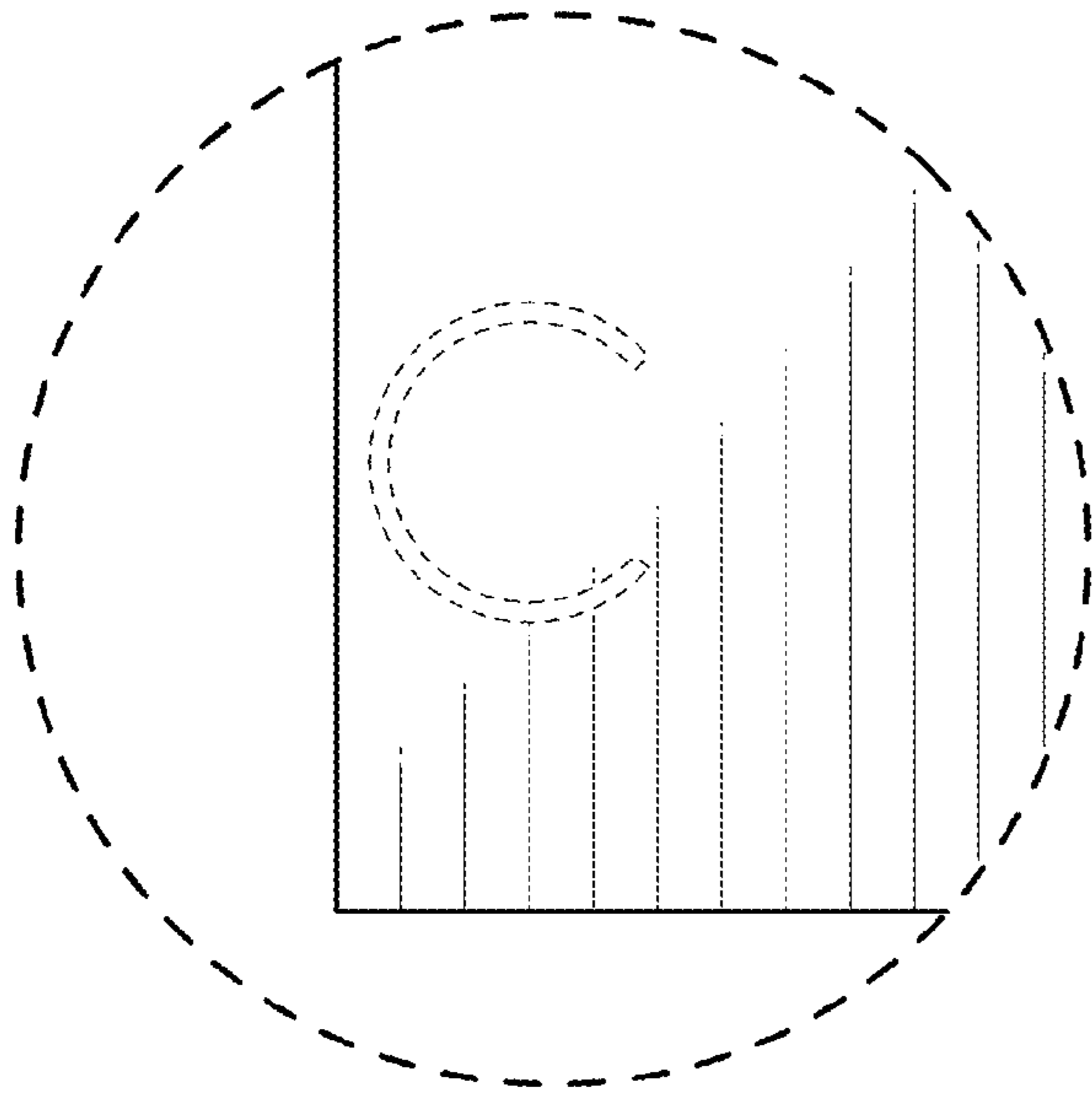


FIG. 4

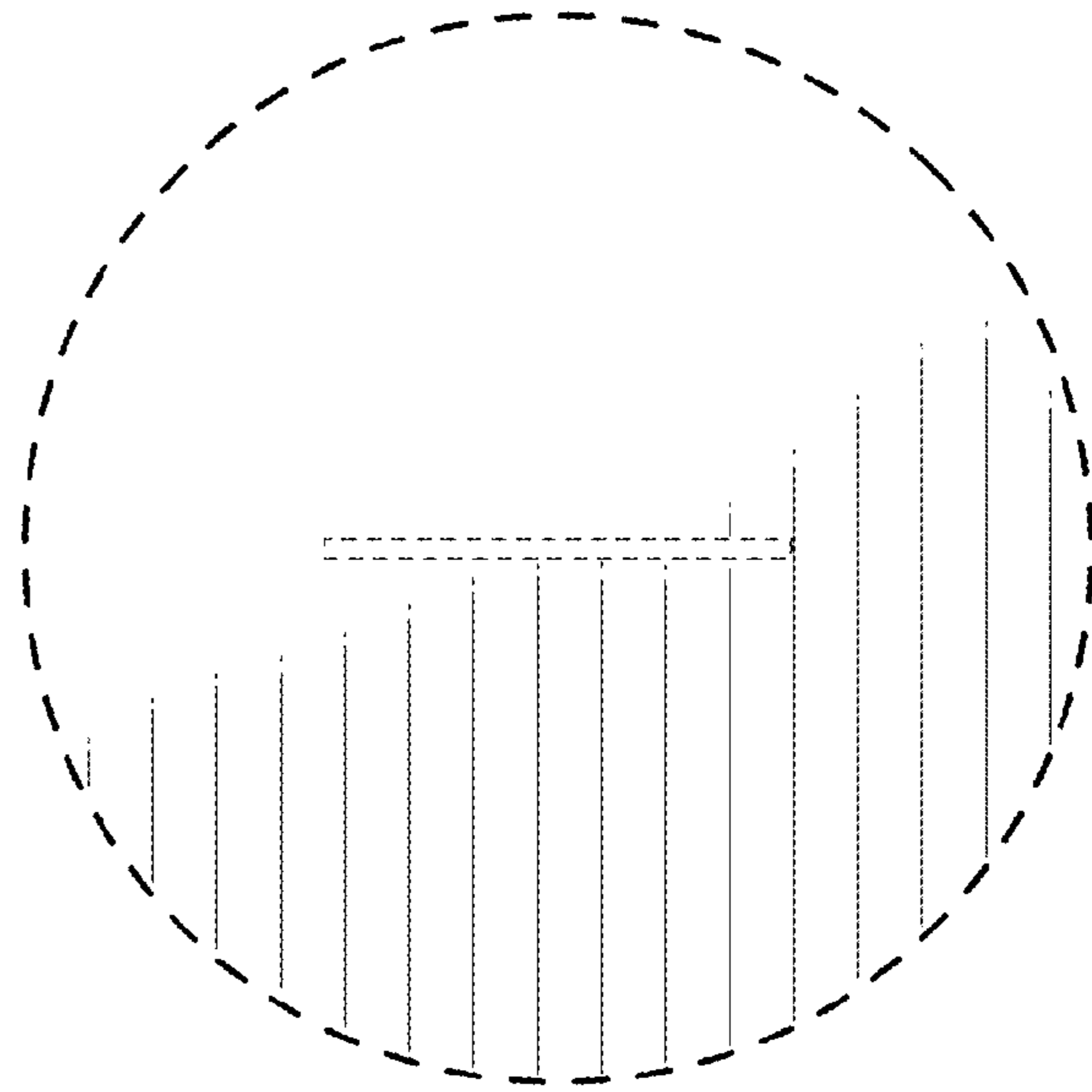


FIG. 5

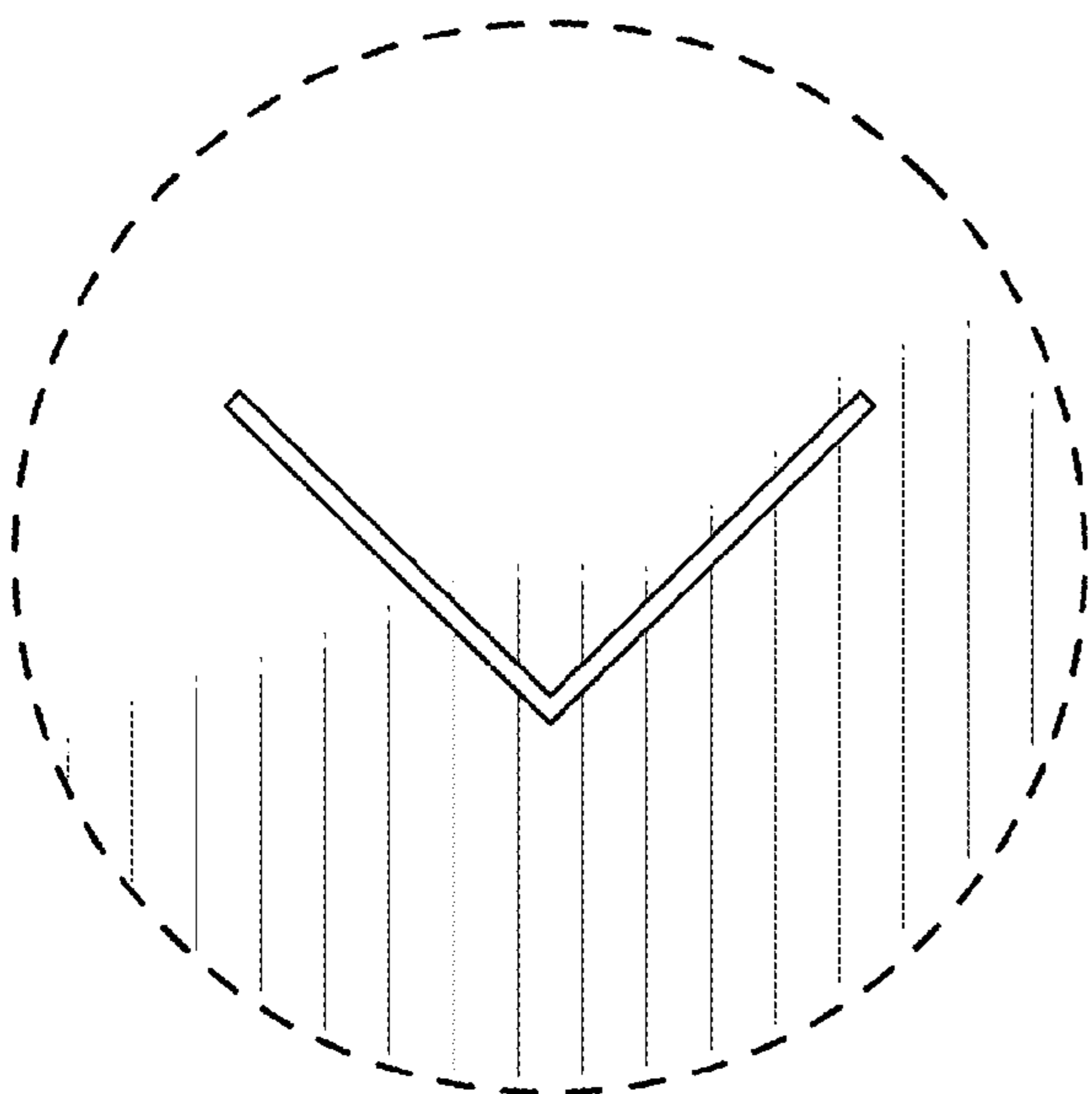


FIG. 6

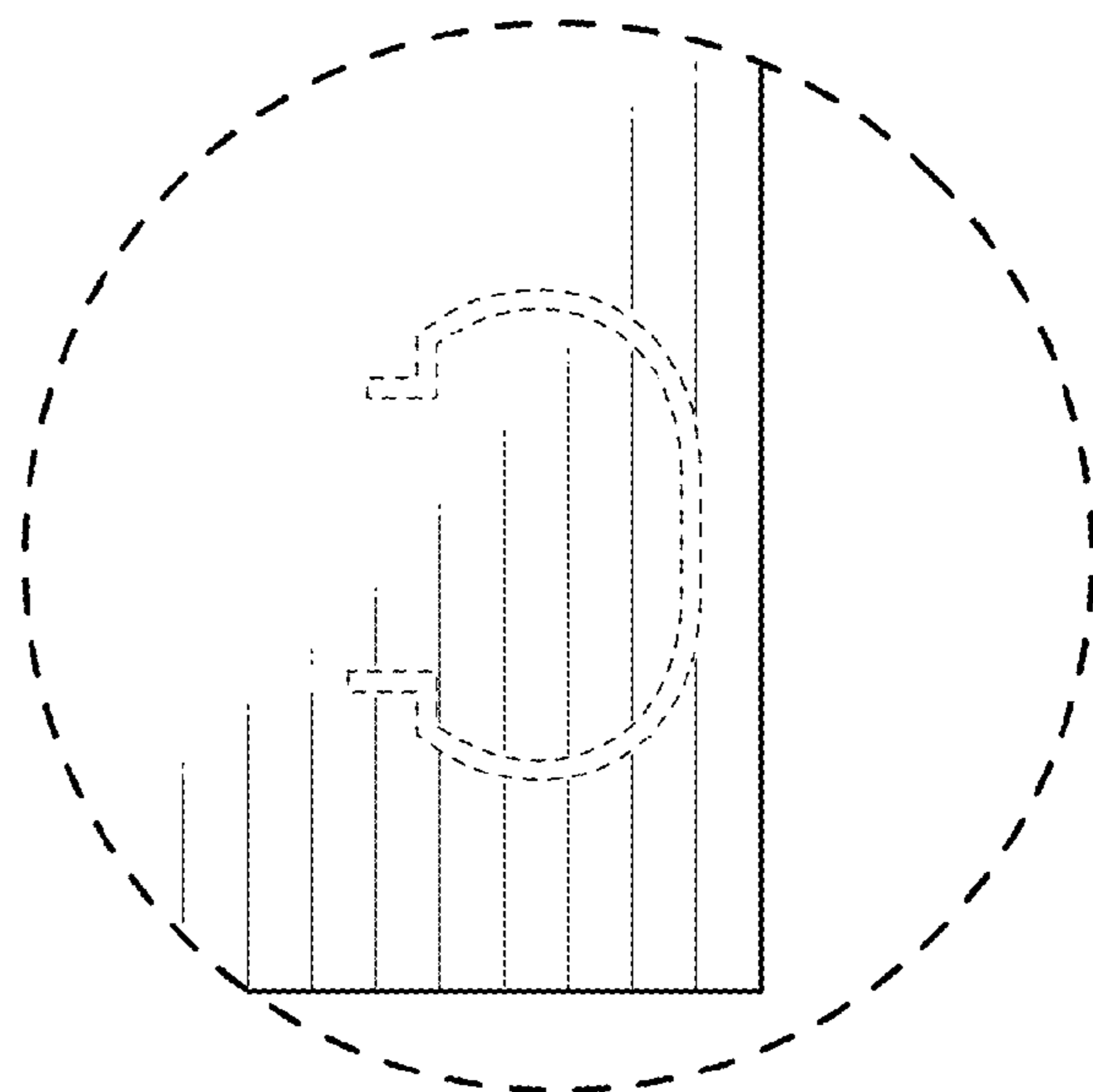


FIG. 7

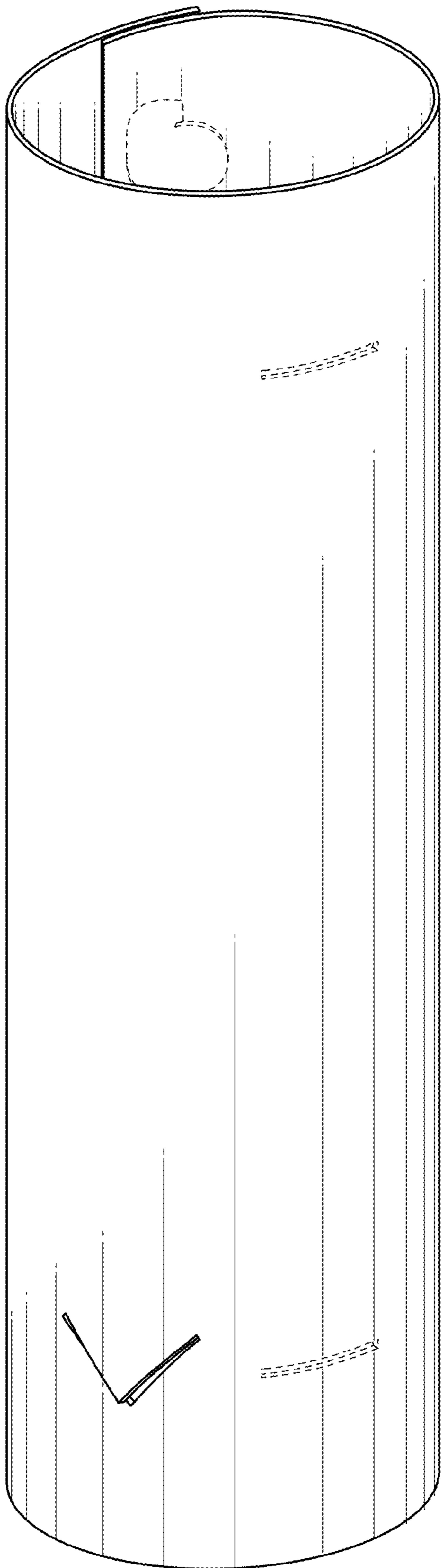


FIG. 8

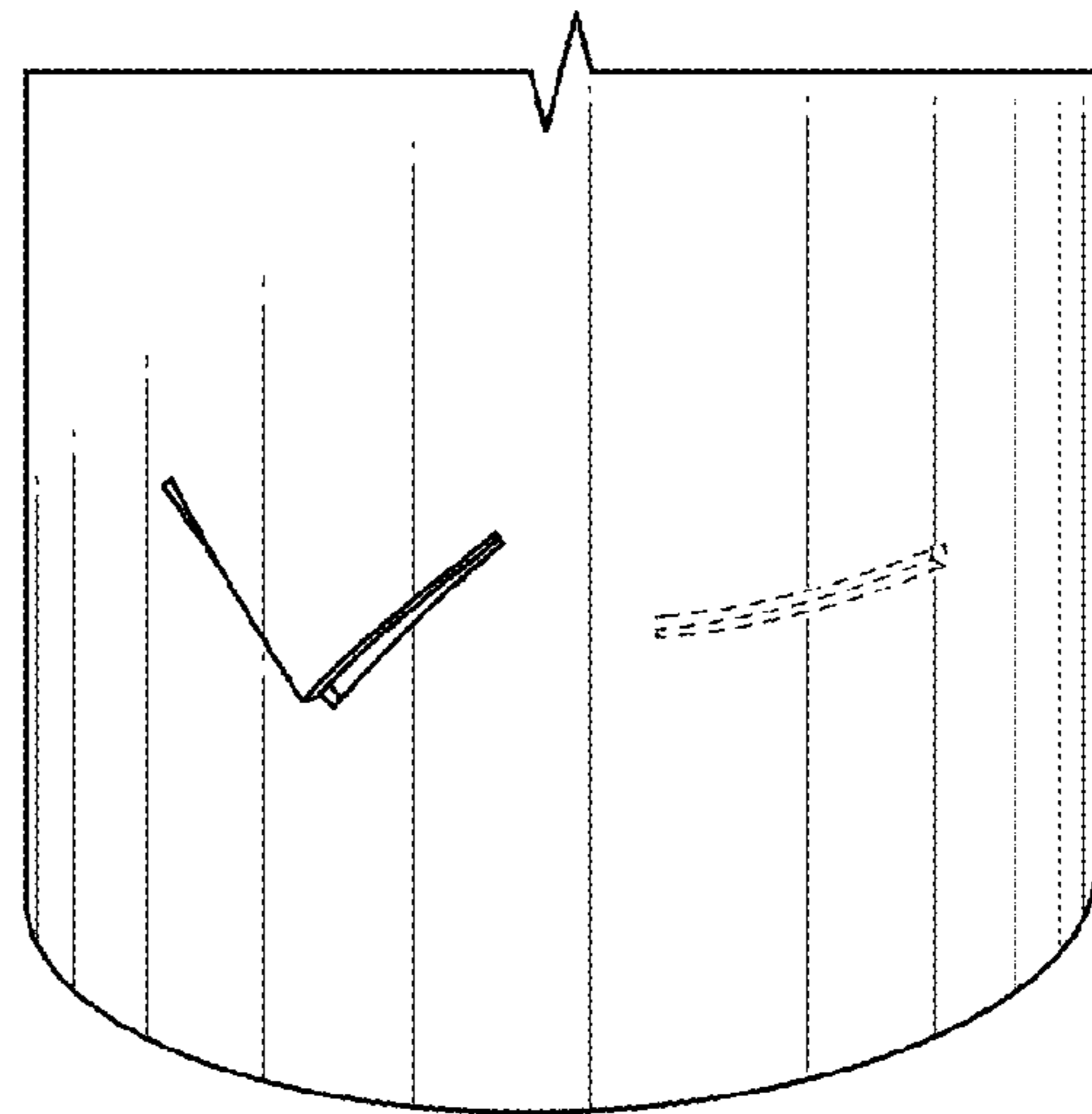


FIG. 9

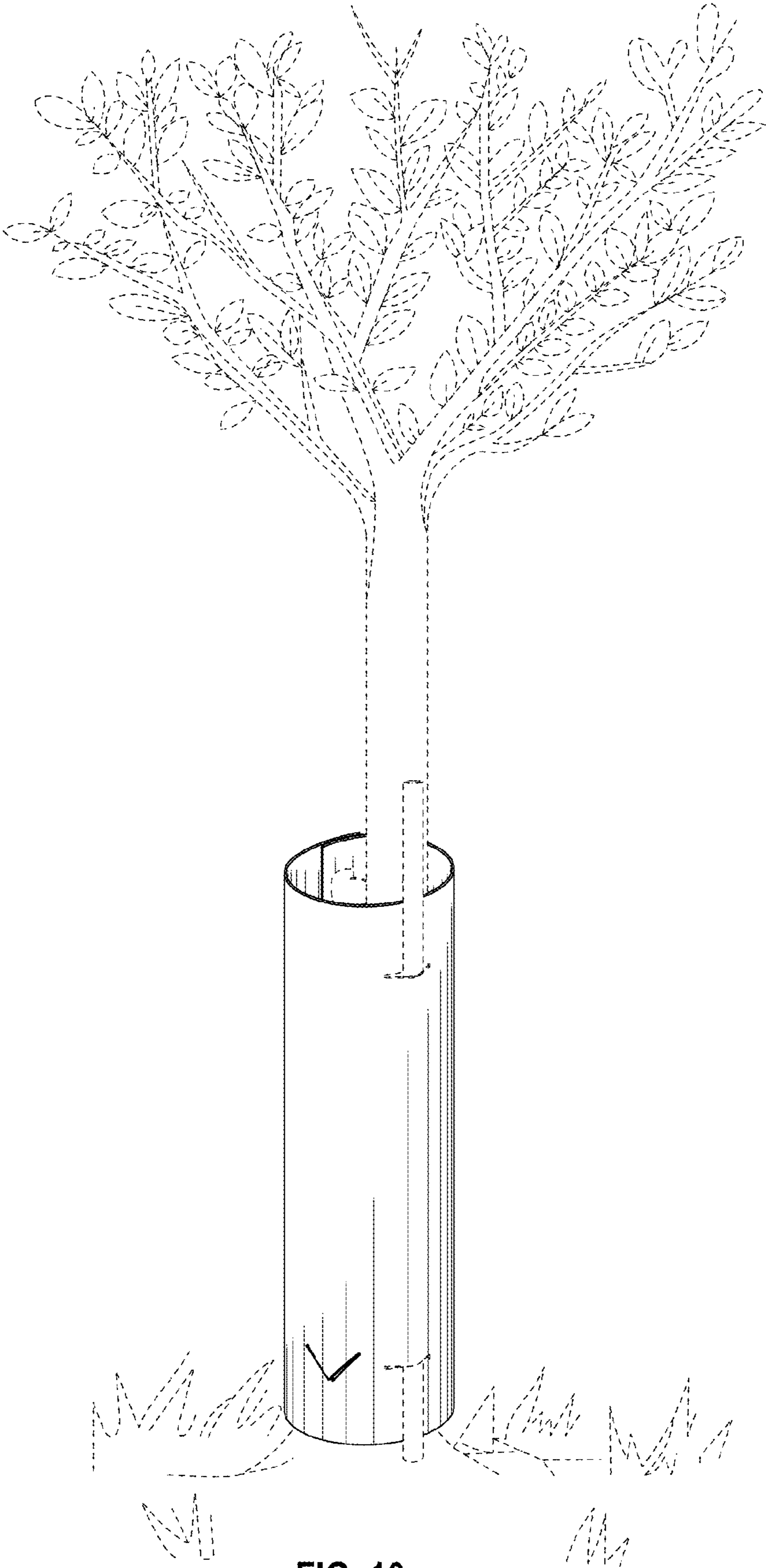


FIG. 10