



US00D949644S

(12) **United States Design Patent** (10) **Patent No.:** **US D949,644 S**
Alexander (45) **Date of Patent:** **** Apr. 26, 2022**

(54) **TRAY**
(71) Applicant: **John Damase Alexander**, Holden, MA (US)
(72) Inventor: **John Damase Alexander**, Holden, MA (US)

2011/0120995 A1* 5/2011 Landry B65D 1/36
229/407
2012/0031806 A1* 2/2012 Riley A47G 23/0208
206/563
2013/0015097 A1* 1/2013 Thornton A47G 23/0641
206/563
2015/0345776 A1* 12/2015 Brandon, Jr. F21V 33/0004
362/101

(**) Term: **15 Years**

FOREIGN PATENT DOCUMENTS

(21) Appl. No.: **29/729,441**

JP 2012030888 2/2012
JP 2019088381 6/2019
KR 20150001898 5/2015

(22) Filed: **Mar. 26, 2020**

* cited by examiner

(51) **LOC (13) Cl.** **07-01**

Primary Examiner — Terry A Wallace

(52) **U.S. Cl.**
USPC **D7/707**

(58) **Field of Classification Search**
USPC D7/701, 707, 708, 605, 608, 306, 397
CPC .. B65D 1/36; A47G 23/0208; A47G 23/0641;
A47G 23/06; A47G 23/02; A47G
23/0633; A45C 11/20; A47J 47/16
See application file for complete search history.

(57) **CLAIM**

The ornamental design for a tray, as shown and described.

(56) **References Cited**

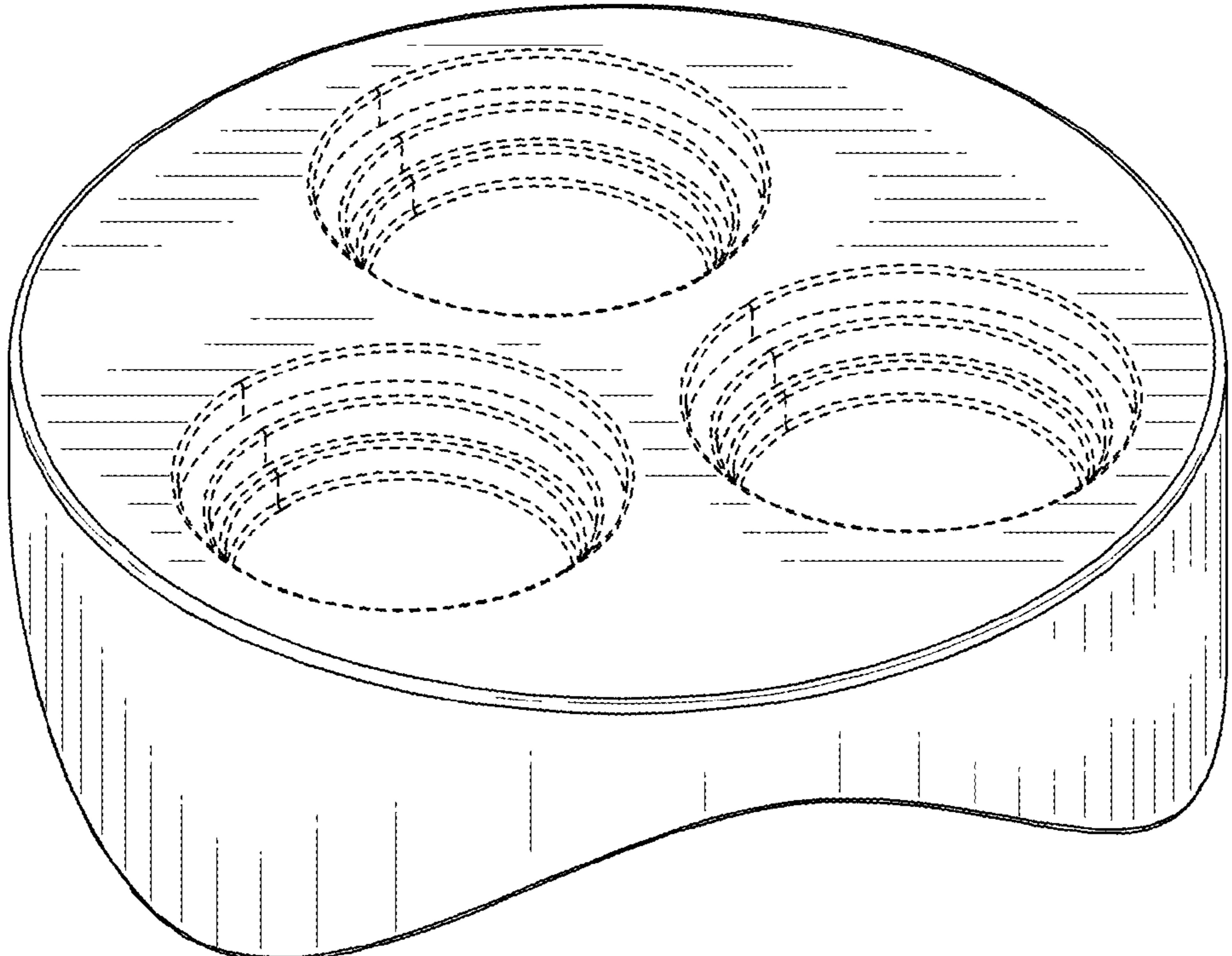
DESCRIPTION

U.S. PATENT DOCUMENTS

6,029,845 A * 2/2000 Mueller B63B 34/565
220/737
6,264,026 B1 7/2001 Bradley
6,679,380 B2* 1/2004 Brown A47G 23/0641
206/427
D699,035 S * 2/2014 Hazen D3/313
D808,746 S * 1/2018 Collot D7/707
D823,654 S * 7/2018 Harris D7/707
D824,730 S * 8/2018 Guerdrum D7/701

FIG. 1 is a front-top perspective view of a tray showing my new design;
FIG. 2 is a rear-bottom perspective view thereof;
FIG. 3 is a rear elevational view thereof;
FIG. 4 is a front elevational view thereof;
FIG. 5 is a left elevational view thereof where the right elevational view is mirrored thereto;
FIG. 6 is a top plan view thereof; and,
FIG. 7 is a bottom plan view thereof.
The broken lines shown are for illustrative purposes only and form no part of the claimed design.

1 Claim, 7 Drawing Sheets



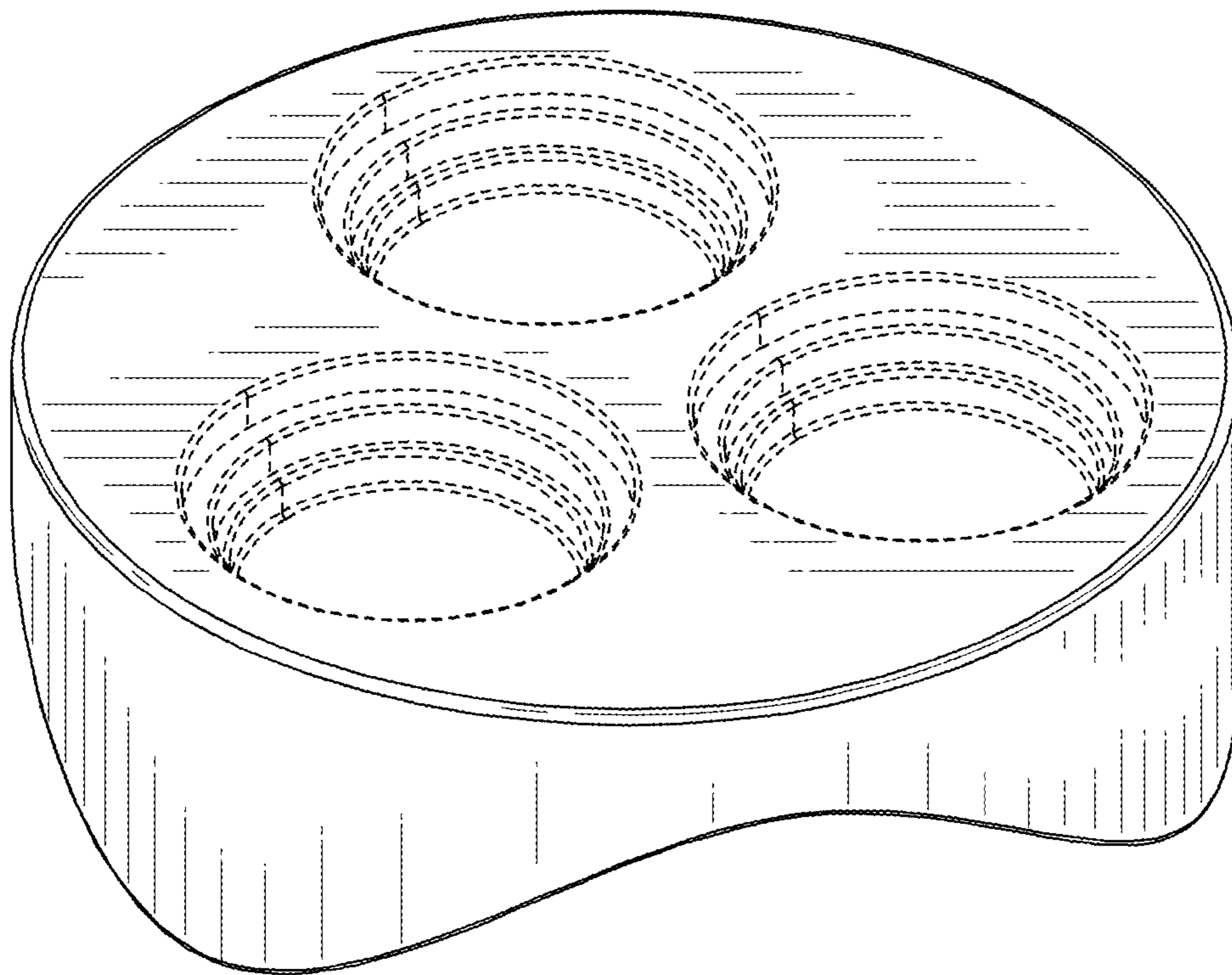


FIG. 1

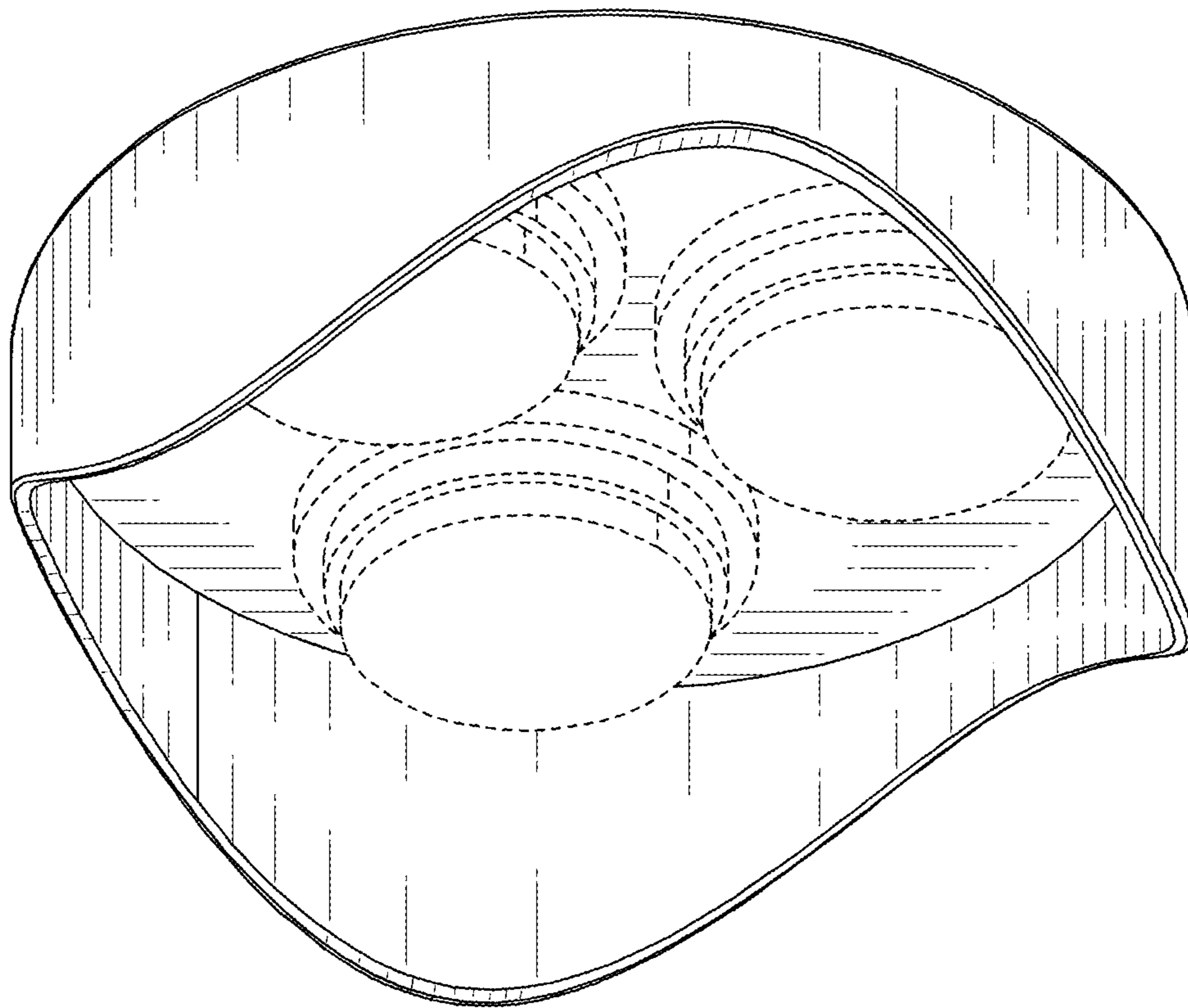


FIG. 2

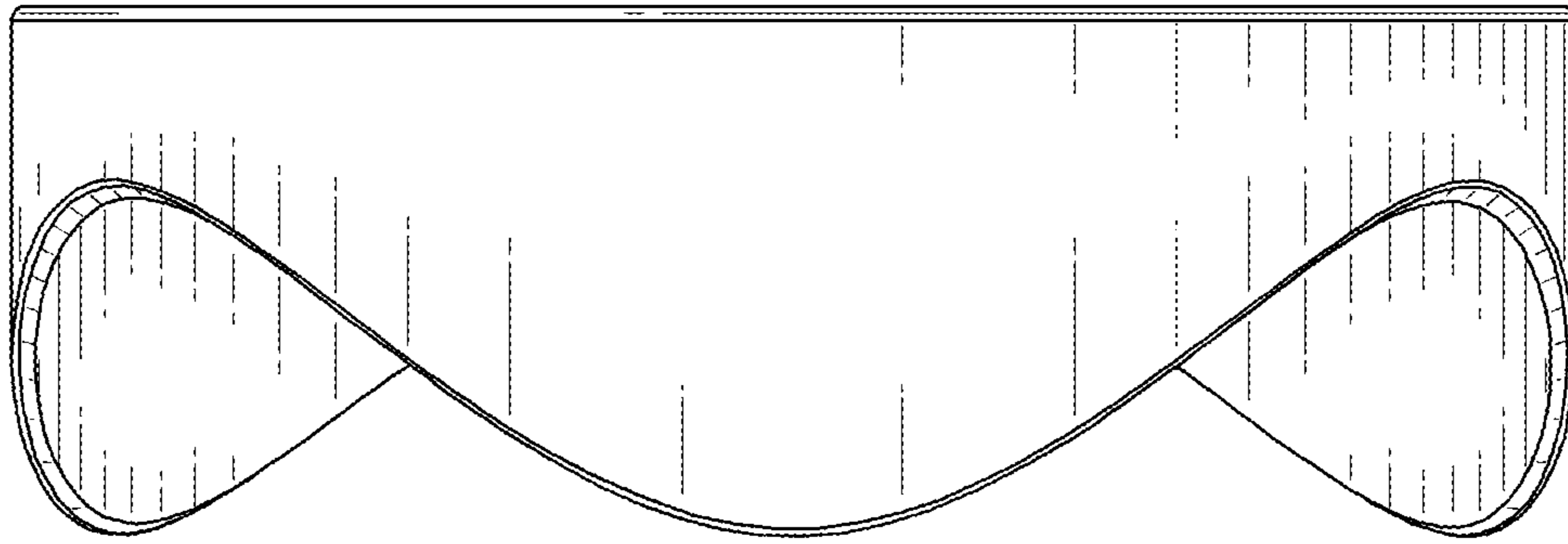


FIG. 3

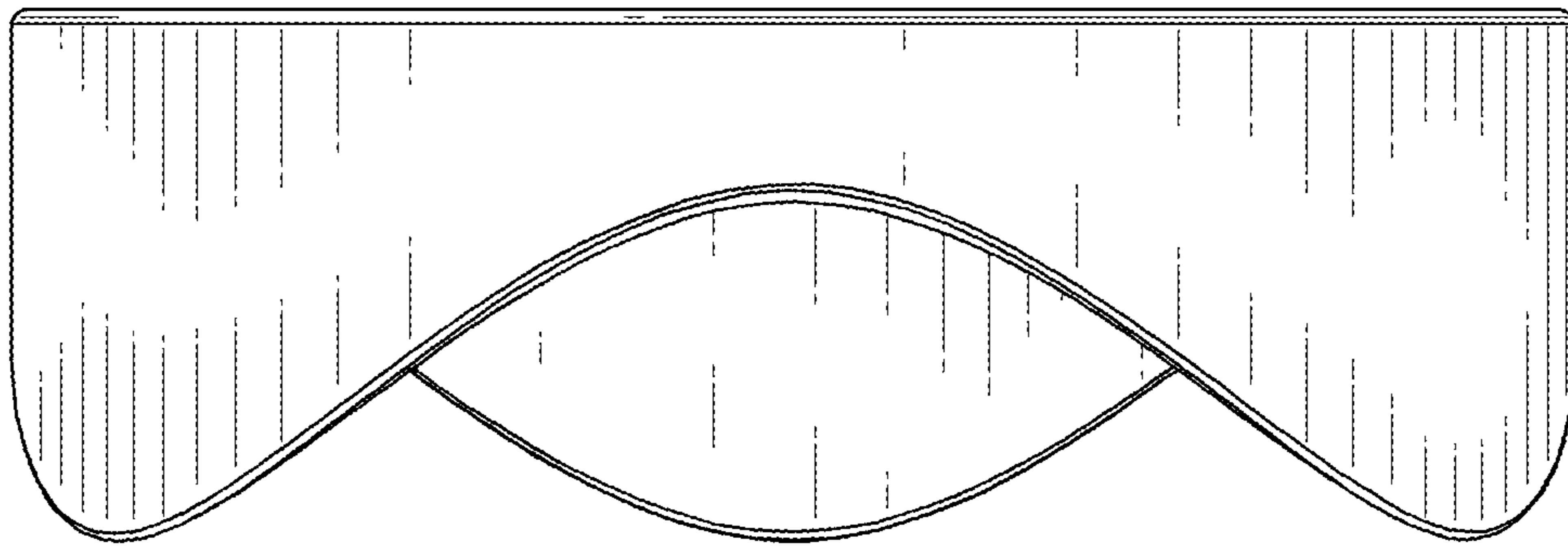


FIG. 4

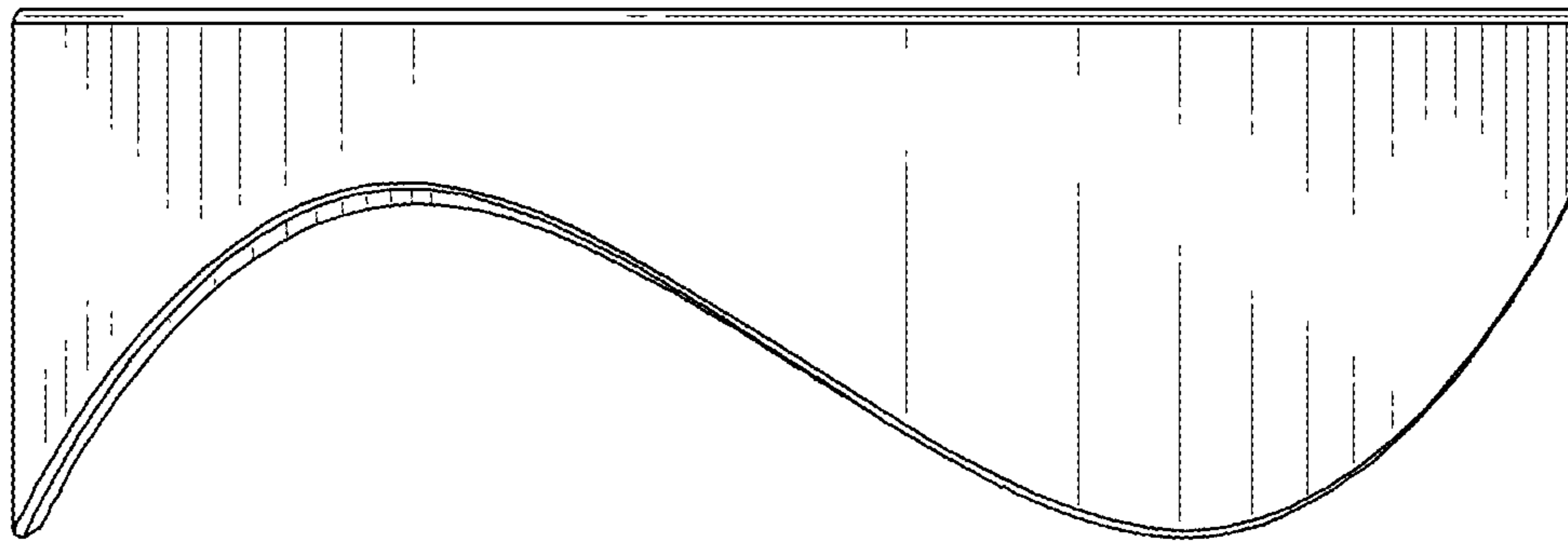


FIG. 5

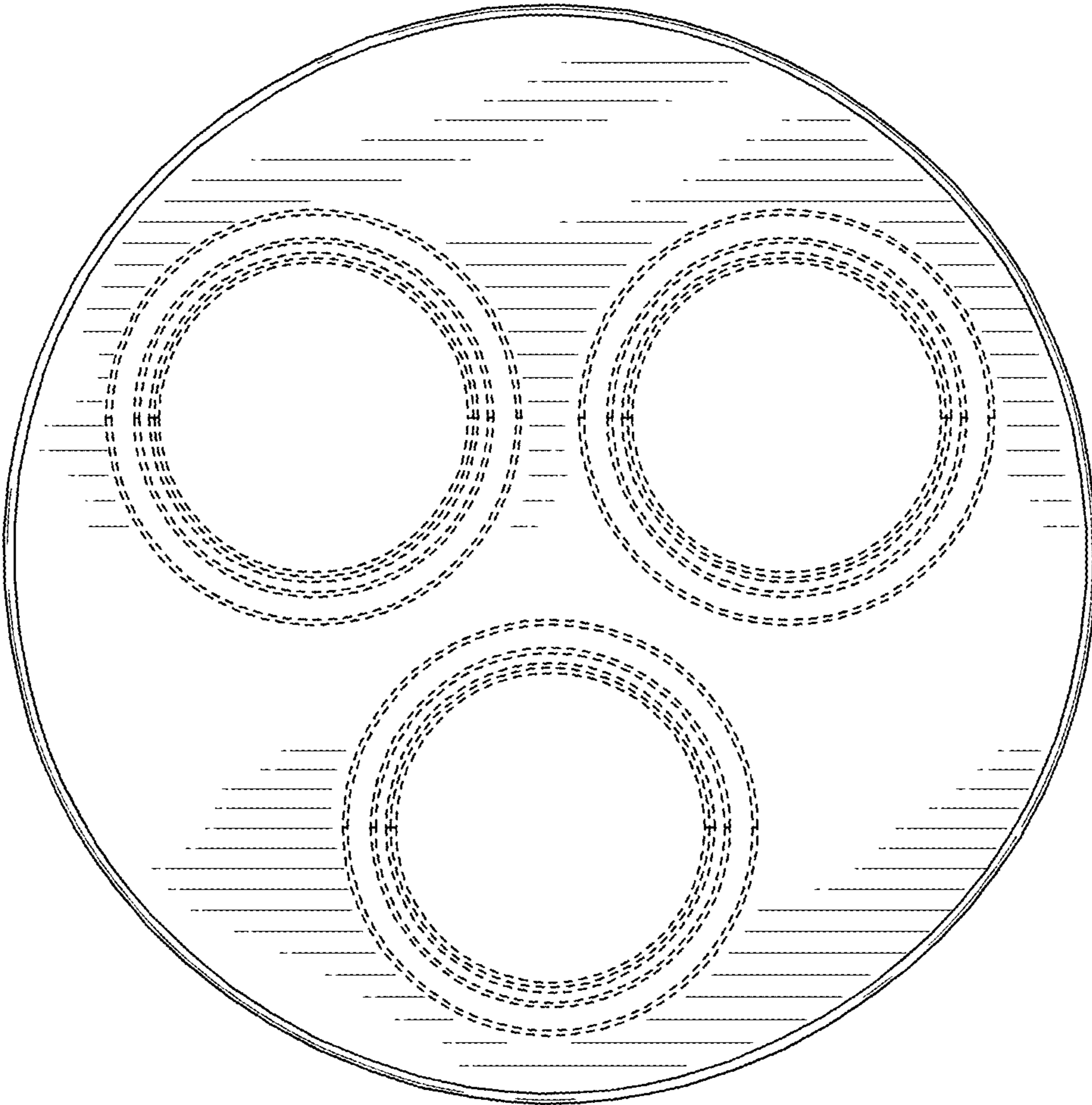


FIG. 6

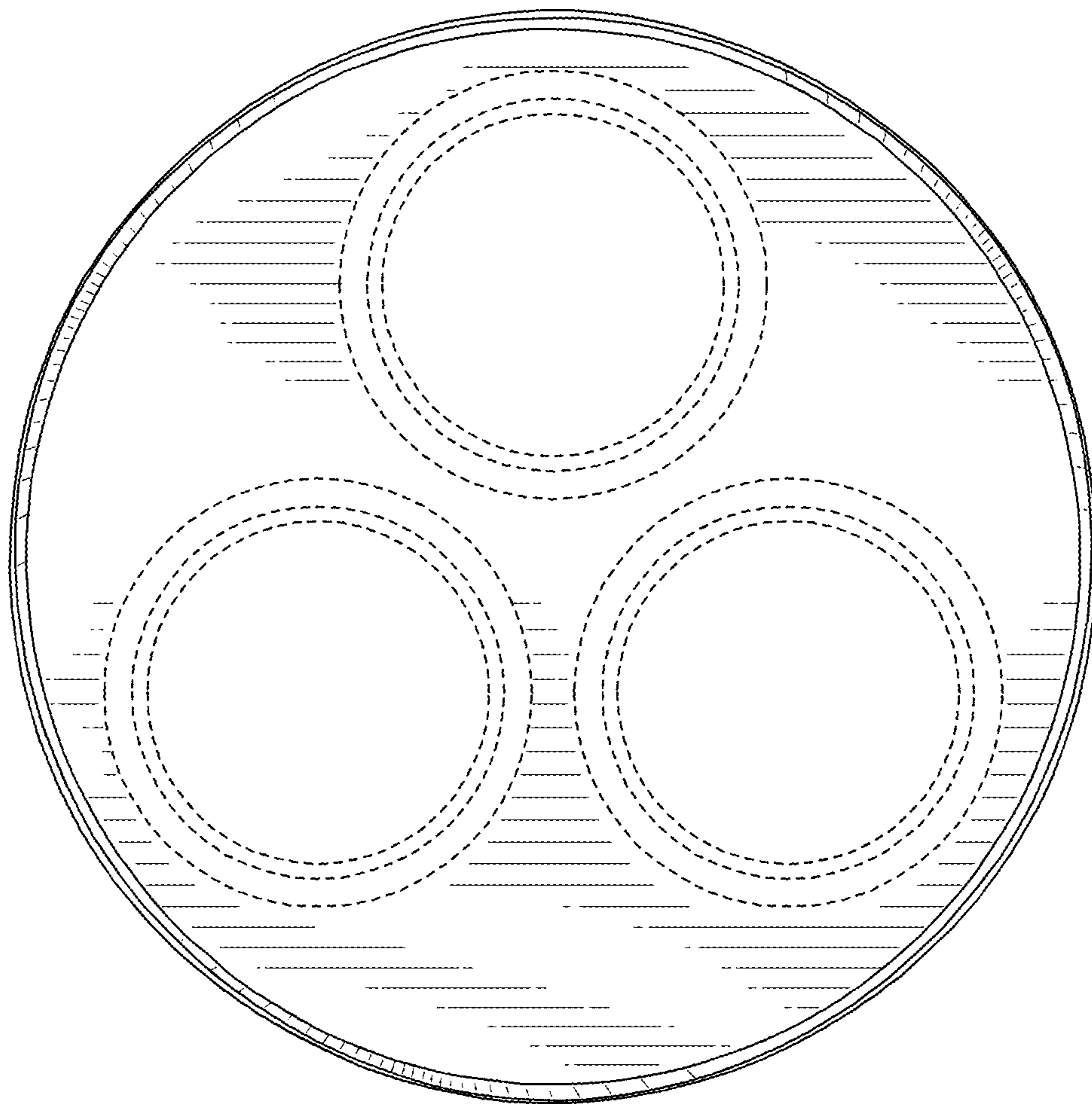


FIG. 7