



US00D949643S

(12) **United States Design Patent** (10) **Patent No.:** **US D949,643 S**  
**Lupberger et al.** (45) **Date of Patent:** **\*\* Apr. 26, 2022**

(54) **SOAP FUNNEL**  
 (71) Applicant: **Bocks Inc.**, New York, NY (US)  
 (72) Inventors: **Ryan Lupberger**, New York, NY (US);  
**Zachary Bedrosian**, New York, NY  
 (US); **Sina Sohrab**, New York, NY  
 (US); **Joseph Guerra**, New York, NY  
 (US)

(73) Assignee: **Bocks Inc.**, New York, NY (US)

(\*\*) Term: **15 Years**

(21) Appl. No.: **29/731,071**

(22) Filed: **Apr. 10, 2020**

(51) **LOC (13) Cl.** ..... **07-99**

(52) **U.S. Cl.**  
 USPC ..... **D7/700**

(58) **Field of Classification Search**  
 USPC ..... D7/700, 400; D15/150, 152; D23/200,  
 D23/209; D24/122  
 CPC ..... B65B 39/00; A47J 31/06; B67C 11/00;  
 B67C 11/02; B67C 11/027  
 See application file for complete search history.

(56) **References Cited**

U.S. PATENT DOCUMENTS

D147,737 S	*	10/1947	Stone	.....	D7/700
D227,413 S	*	6/1973	Sherin	.....	D7/700
D266,400 S		10/1982	Shatz		
4,706,720 A		11/1987	Pattison		
D374,281 S		10/1996	Markles		
D376,201 S		12/1996	Norton		
D382,448 S		8/1997	Maique		

D393,061 S		3/1998	Mandich		
D402,169 S	*	12/1998	Hestehave	.....	D7/700
D426,283 S		6/2000	Hernandez, Jr.		
D445,895 S		7/2001	Svendsen		
D449,105 S		10/2001	Azo		
6,739,363 B2		5/2004	Walter		
D560,105 S		1/2008	McKenzie		
D615,399 S		5/2010	Bran		
D661,957 S	*	6/2012	Lee	.....	D7/700
D703,811 S		4/2014	Ludert		
D804,918 S		12/2017	Lipford		
D832,664 S	*	11/2018	Degerland	.....	D7/700

\* cited by examiner

*Primary Examiner* — Terry A Wallace

(74) *Attorney, Agent, or Firm* — Ignacio Bellver

(57) **CLAIM**

The ornamental design for a soap funnel, as shown and described.

**DESCRIPTION**

FIG. 1 is a top right perspective view of a soap funnel showing the new design;  
 FIG. 2 is a right side view thereof.  
 FIG. 3 is a front view thereof.  
 FIG. 4 is a rear view thereof.  
 FIG. 5 is a top plan view thereof.  
 FIG. 6 is a cross sectional view of the soap funnel, taken along lines 6-6 of FIG. 5;  
 FIG. 7 is a bottom left perspective view thereof; and,  
 FIG. 8 is a bottom plan view thereof.  
 The broken lines depict portions of the article that form no part of the claimed design.

**1 Claim, 8 Drawing Sheets**

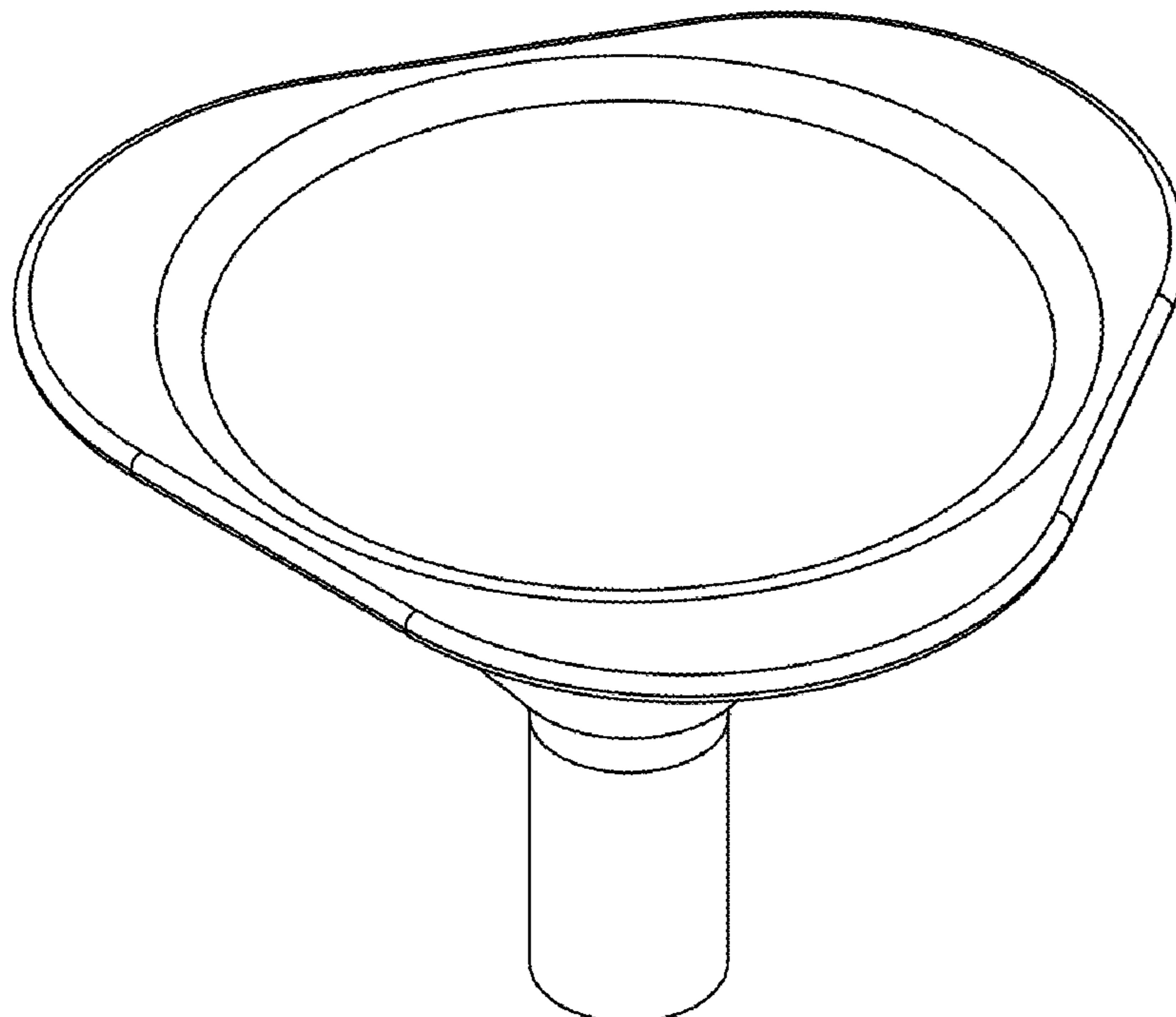


FIG. 1

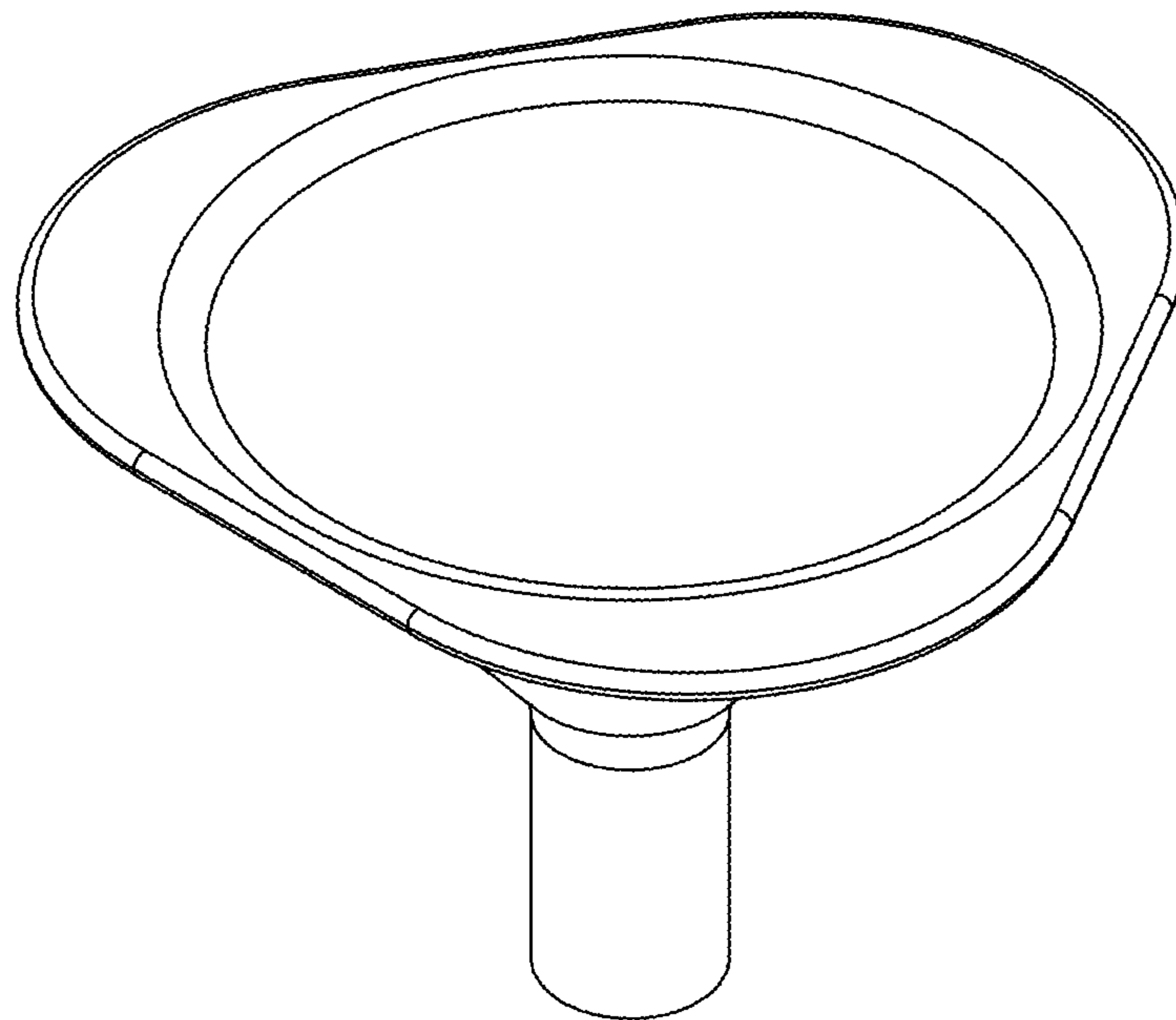


FIG. 2

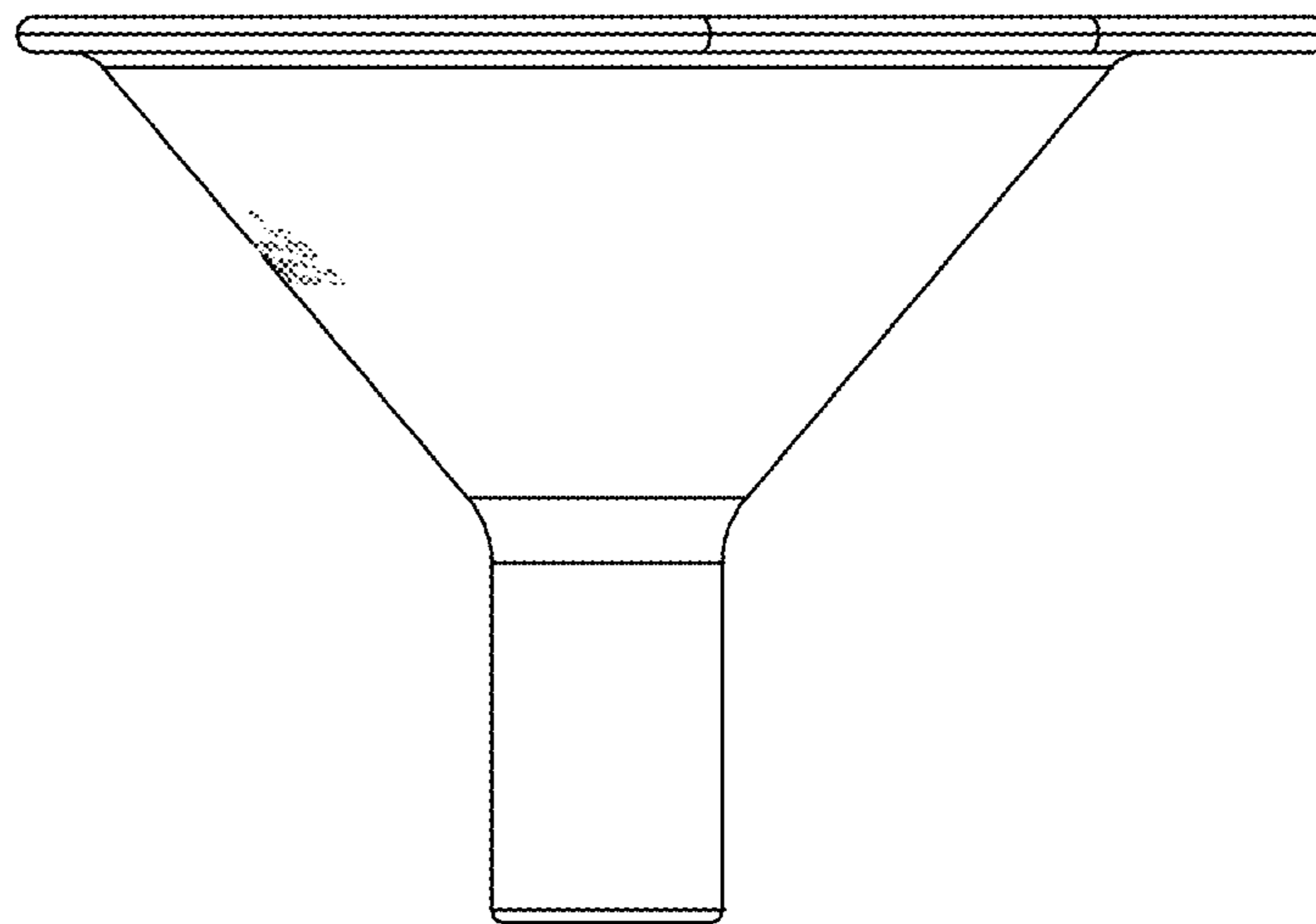


FIG. 3

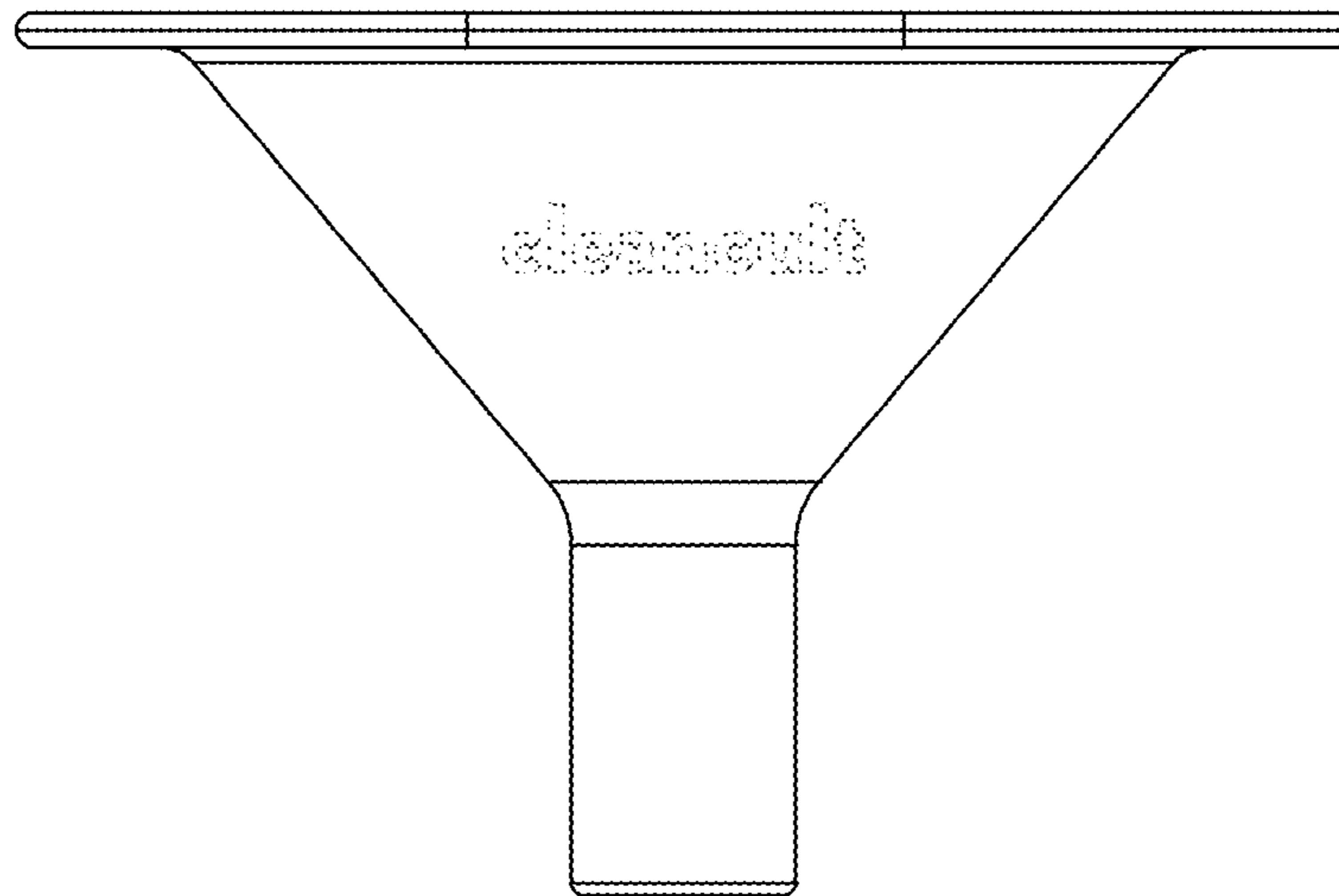


FIG. 4

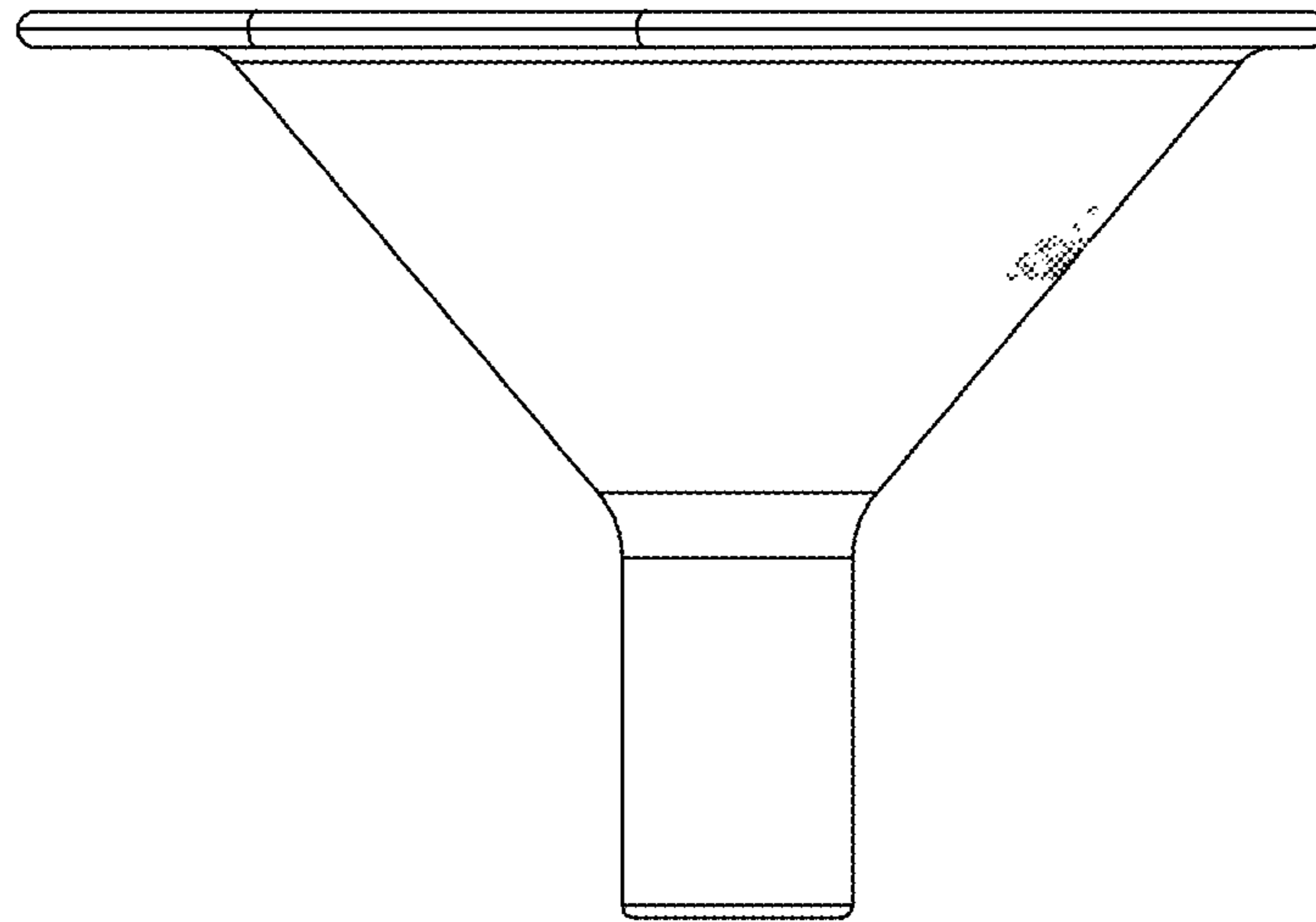


FIG. 5

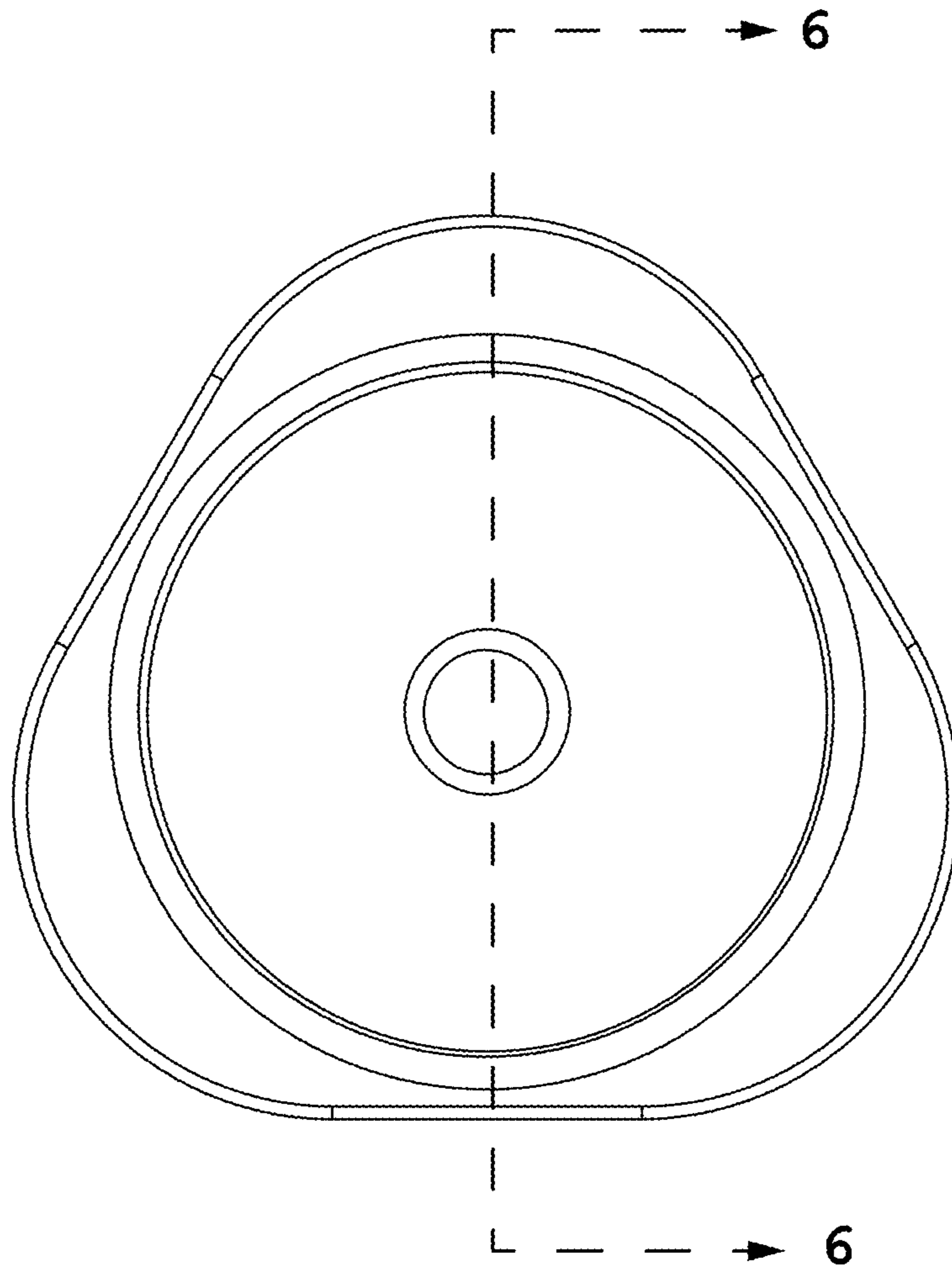


FIG. 6

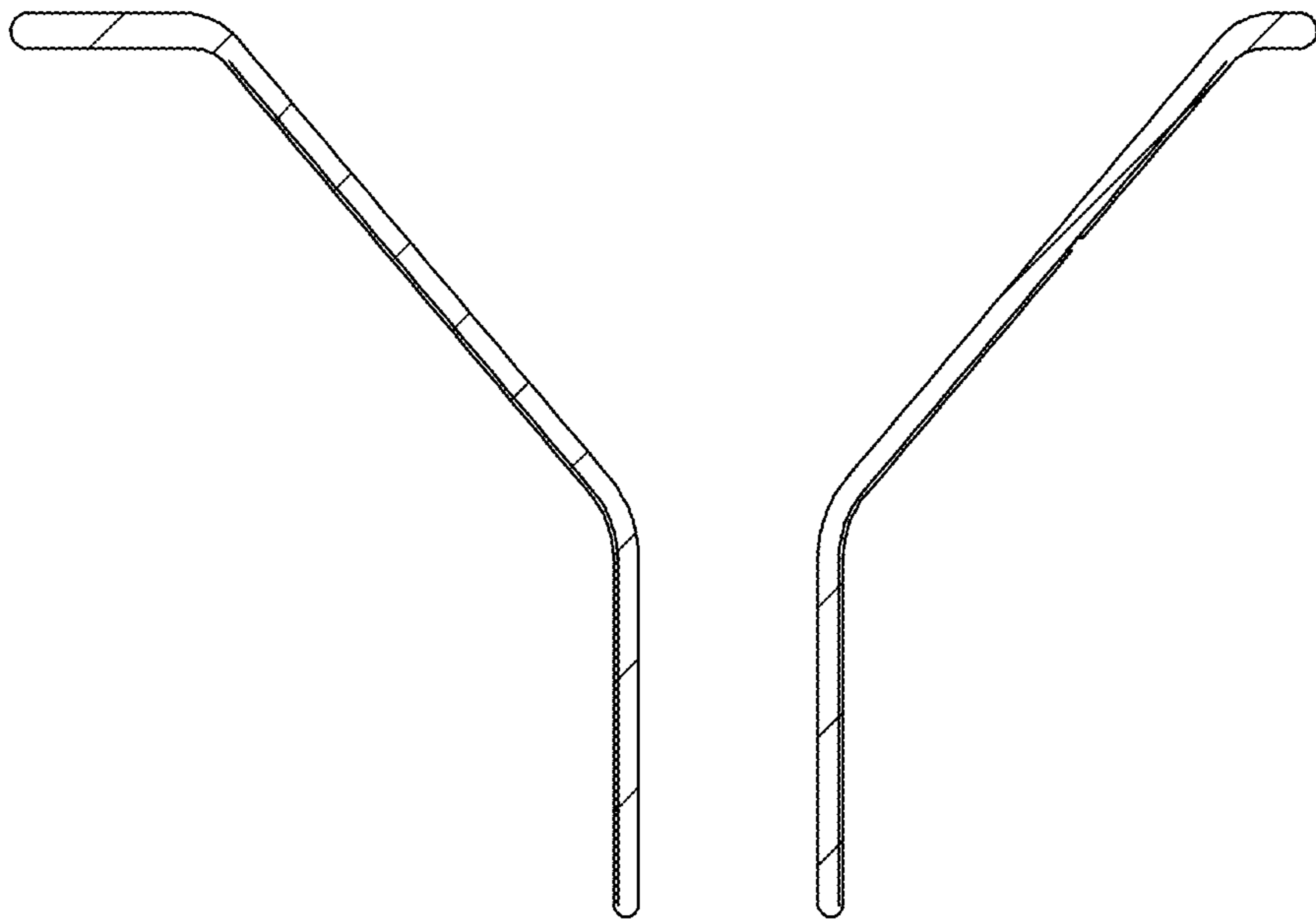


FIG. 7

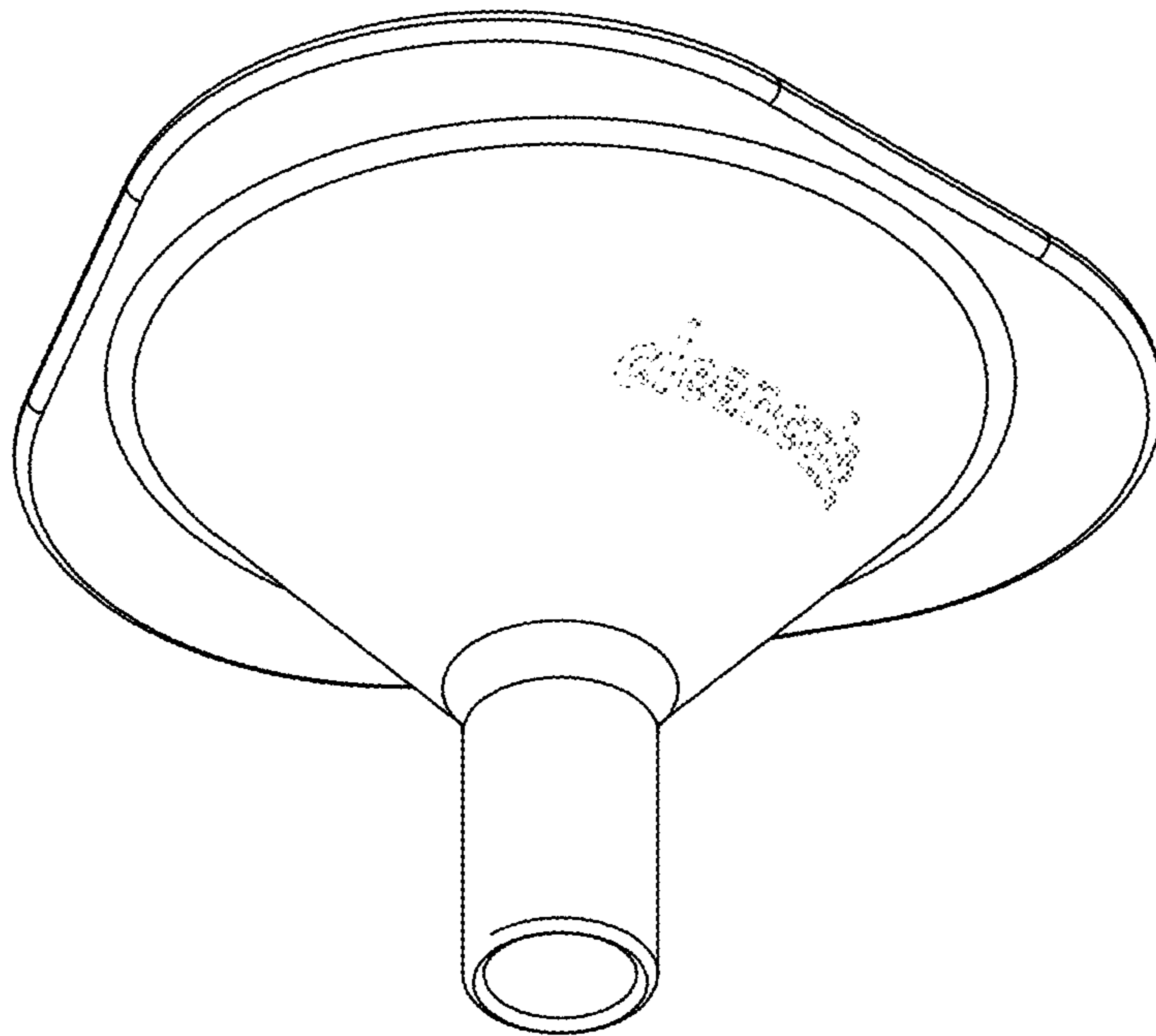




FIG. 8

