



(56)

**References Cited**

U.S. PATENT DOCUMENTS

D263,841 S \* 4/1982 Rinaldi ..... D7/383  
 4,406,603 A \* 9/1983 Williams ..... A47J 43/06  
 241/101.1  
 D275,441 S \* 9/1984 Becker ..... D7/381  
 D283,971 S \* 5/1986 Friz ..... D7/383  
 D311,305 S \* 10/1990 Melamenchuk ..... D7/673  
 5,558,011 A 9/1996 Helm  
 6,408,520 B1 6/2002 Ridler  
 6,854,383 B2 2/2005 Wang  
 D545,615 S \* 7/2007 Lin ..... D7/381  
 7,543,768 B2 6/2009 Cohen et al.  
 D625,567 S \* 10/2010 Wong ..... D7/673  
 D773,894 S 12/2016 Benoit et al.  
 D793,181 S 8/2017 Wong  
 9,731,428 B2 8/2017 Levine et al.  
 D796,917 S \* 9/2017 Wong ..... D7/693  
 D797,495 S 9/2017 McConnell et al.  
 D807,117 S \* 1/2018 McGuffin-Noll ..... B26D 7/01  
 D7/412  
 D815,499 S 4/2018 Chen  
 10,099,396 B2 10/2018 Cheung et al.  
 D842,024 S 3/2019 Li  
 D904,104 S \* 12/2020 Wong ..... D7/381

2007/0022860 A1 2/2007 Chow  
 2011/0030522 A1 2/2011 Barnes  
 2018/0178403 A1 6/2018 Vivirito  
 2020/0331162 A1\* 10/2020 Li ..... B26D 7/01

FOREIGN PATENT DOCUMENTS

CN 2850862 Y 12/2006  
 CN 203831445 9/2014  
 CN 2015466368 8/2016  
 CN 205831692 12/2016  
 CN 206913209 1/2018  
 CN 209136331 7/2019  
 CN 305431433 \* 11/2019  
 CN 305908139 \* 7/2020

OTHER PUBLICATIONS

Betty Bossi Veggie Sheet Slicer, Amazon.com May 7, 2019, Retrieved from the internet Oct. 6, 2021<URL: <https://www.amazon.com/Betty-Bossi-Innovative-Vegetable-Wafer-Thin/dp/B07ST3H5LV/> (Year: 2021).\*

Betty Bossi, Veggie Sheet Slicer, 1 page, <https://www.bettybossi.us/en/products/us/veggie-sheet-slicer> Feb. 28, 2020, English.

\* cited by examiner

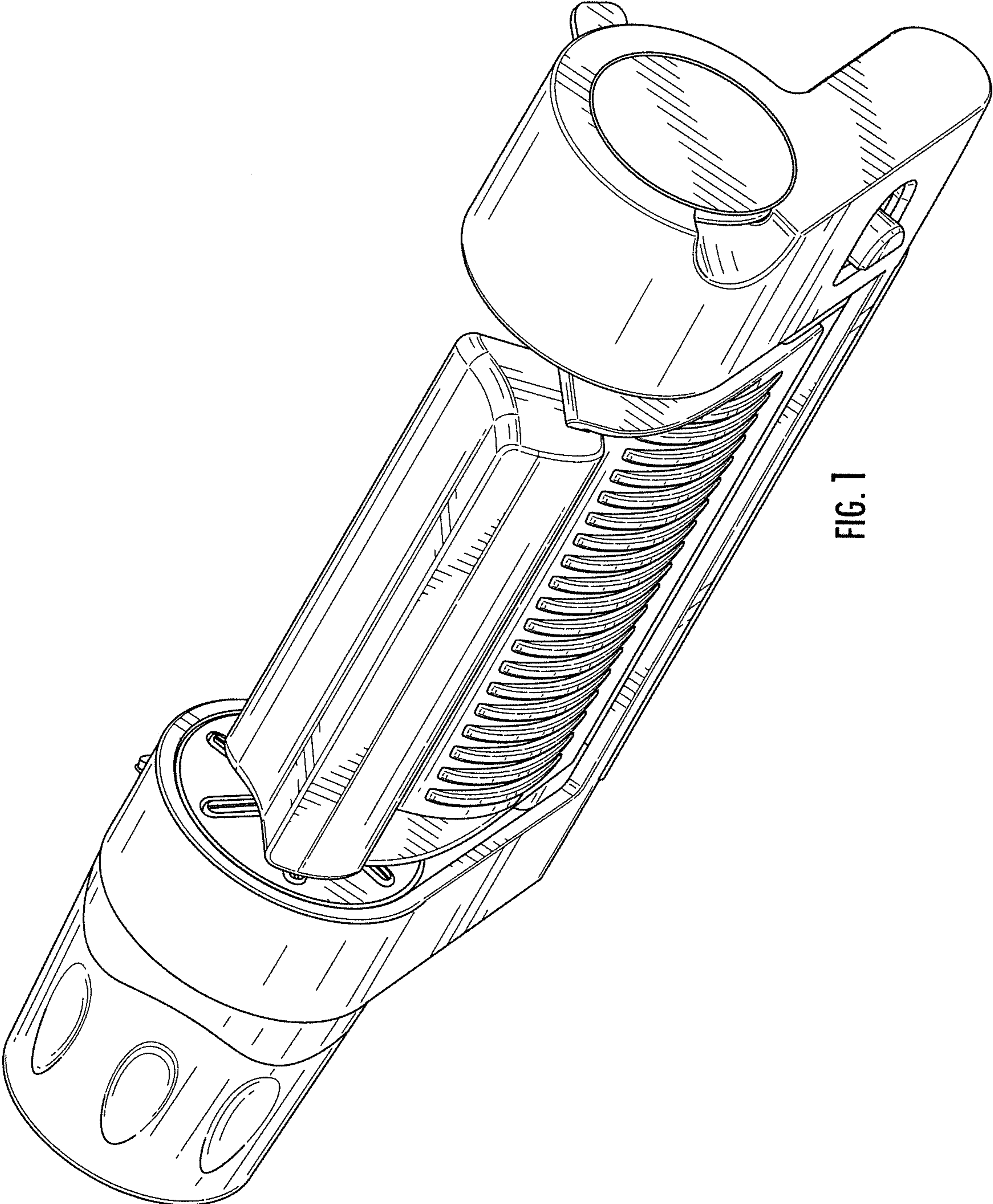


FIG. 1



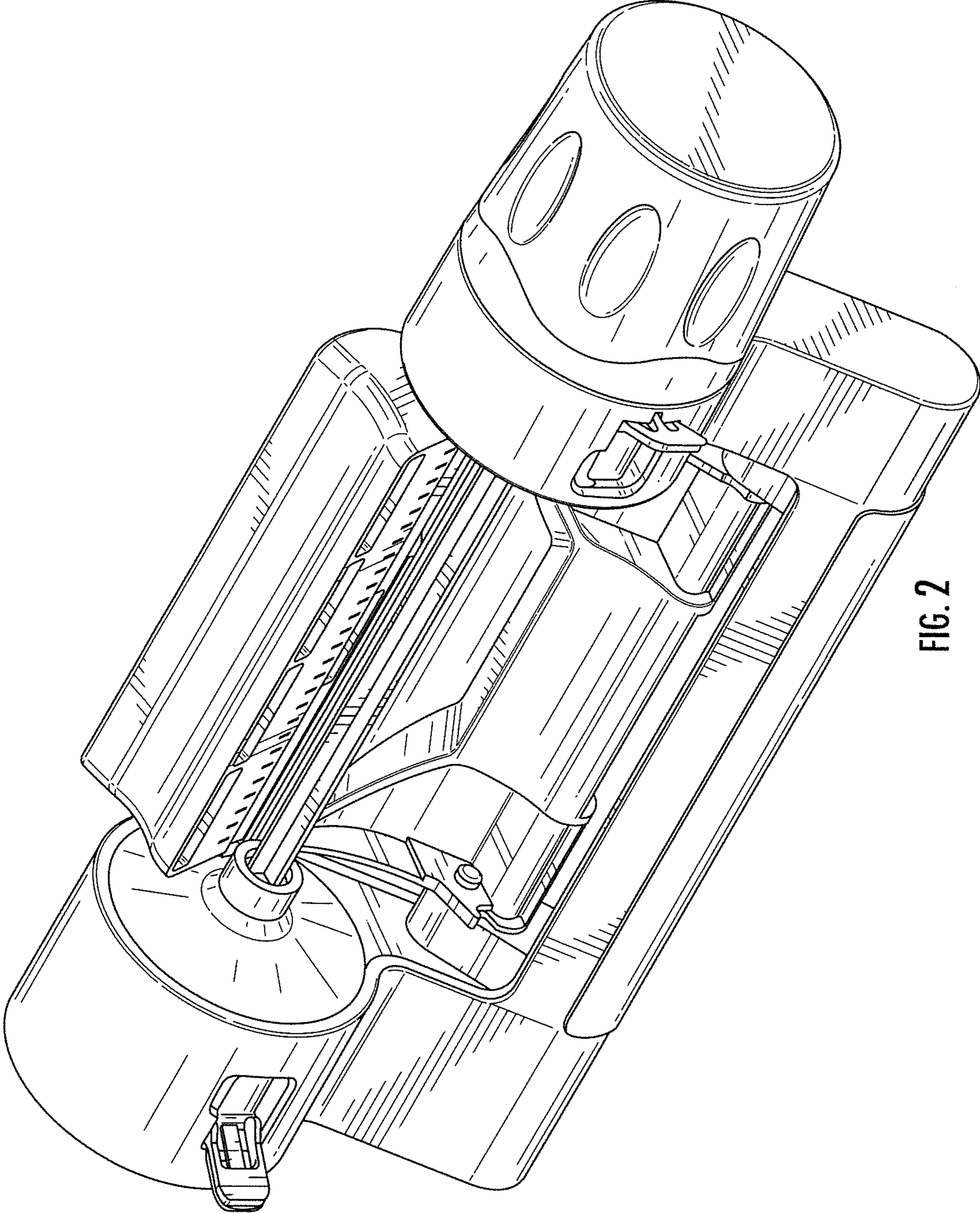


FIG. 2

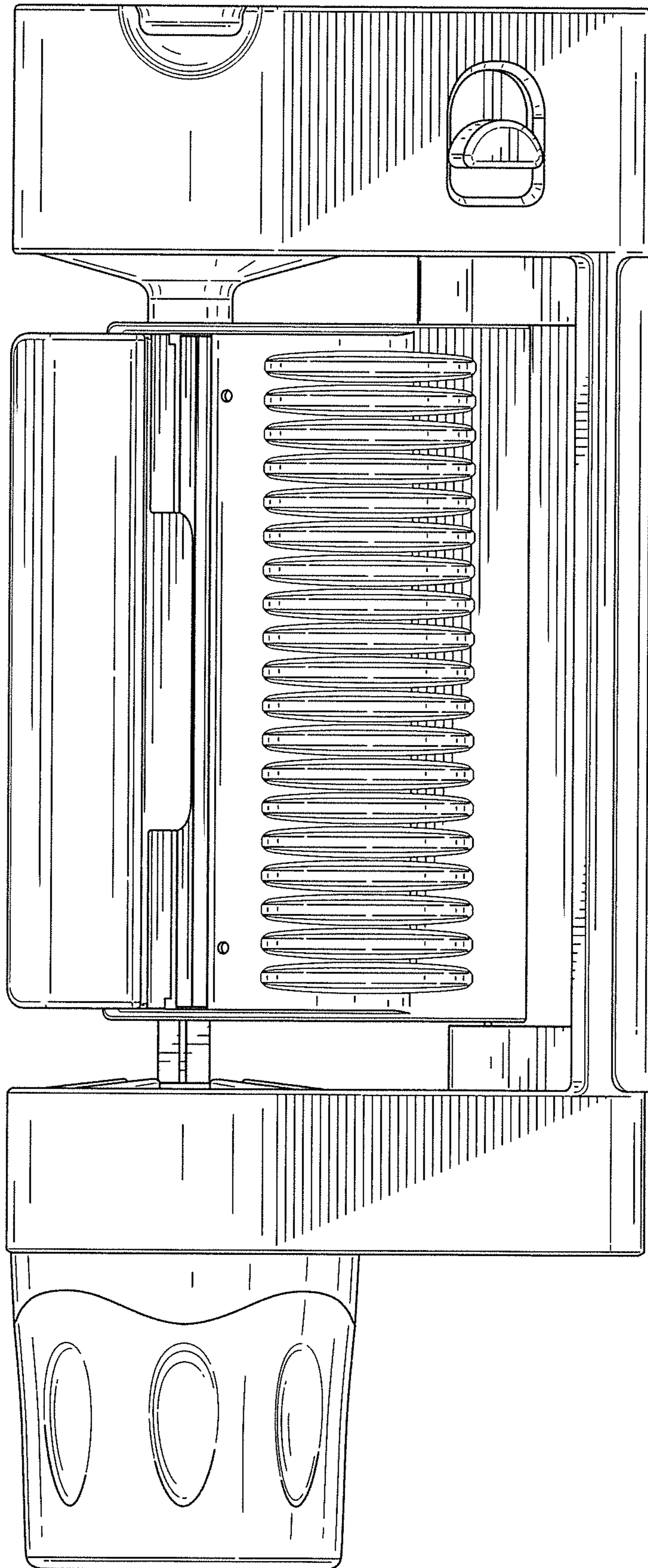


FIG. 3

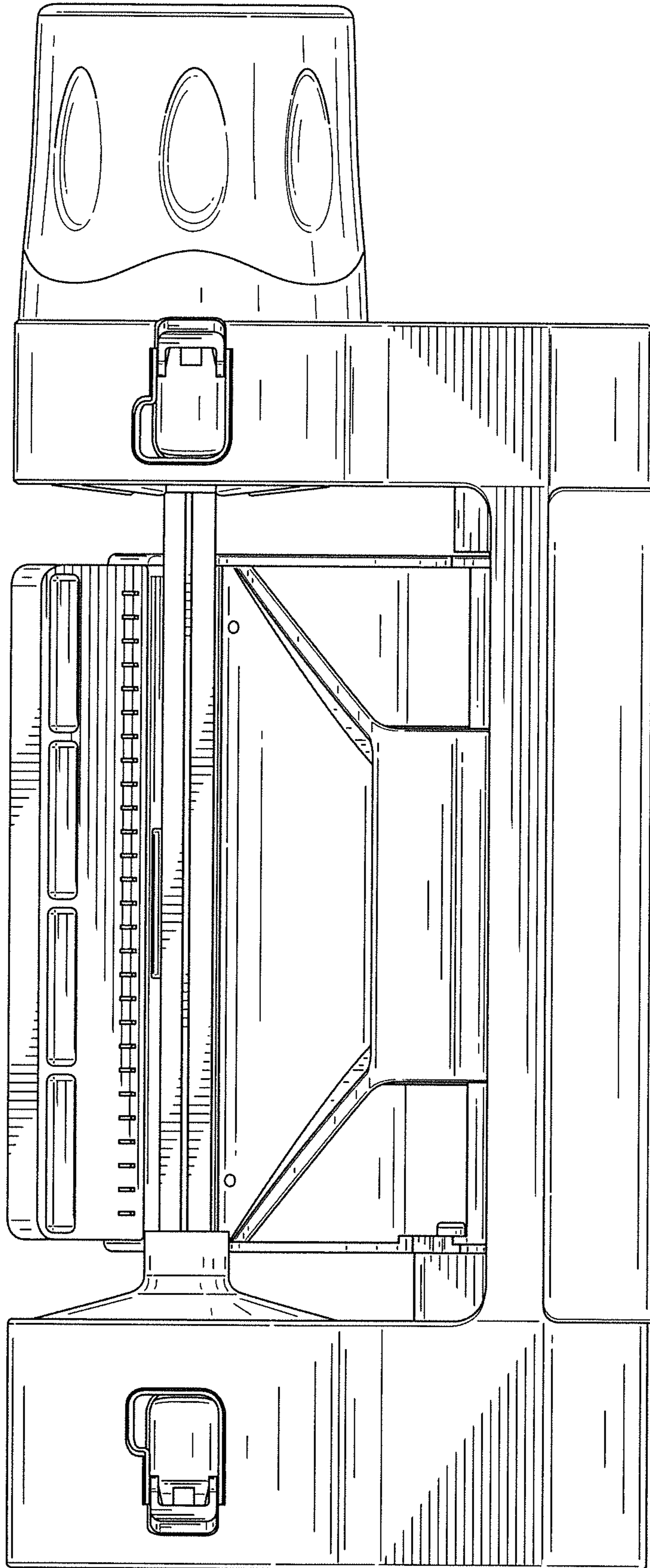


FIG. 4



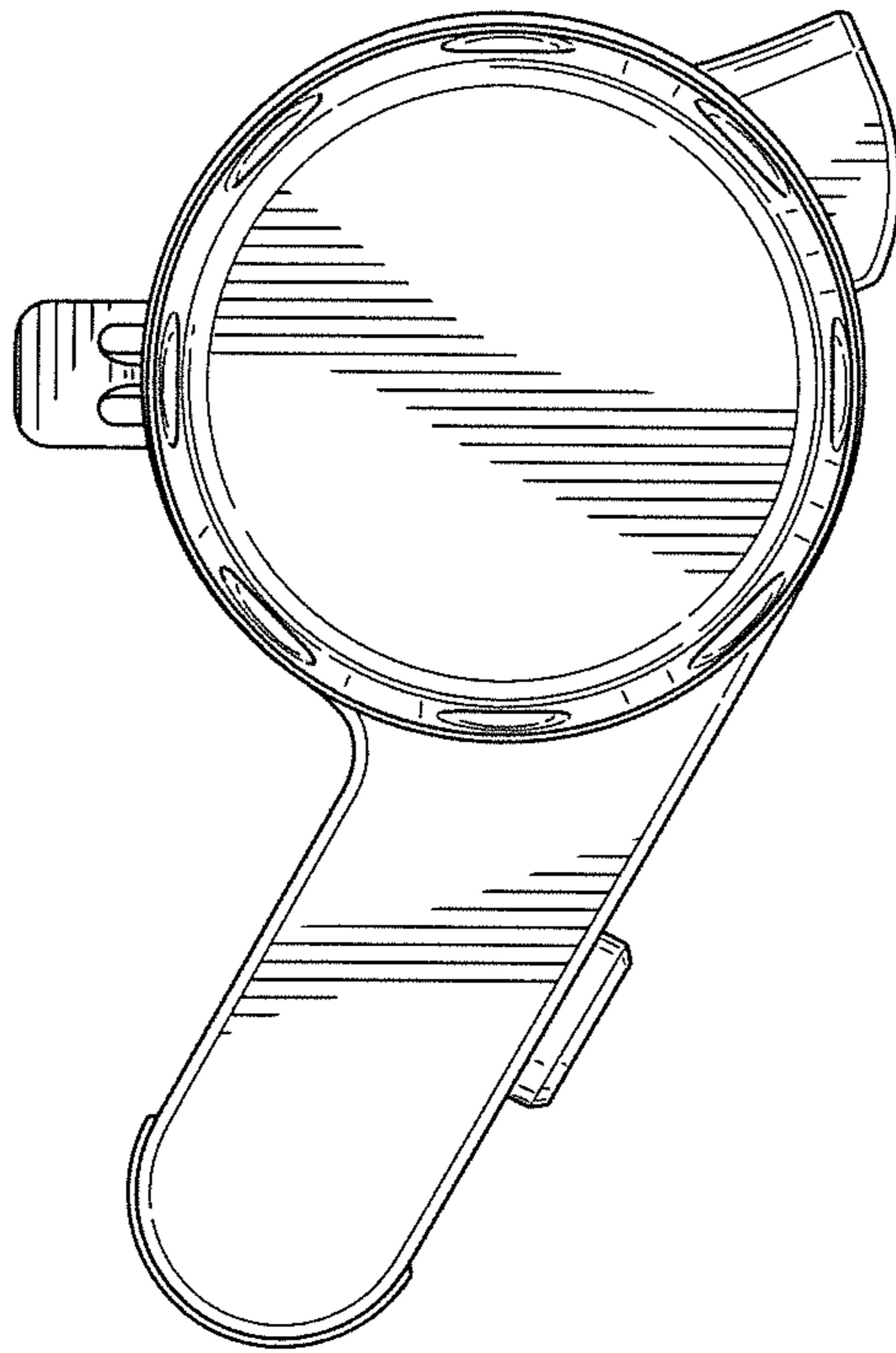


FIG. 5

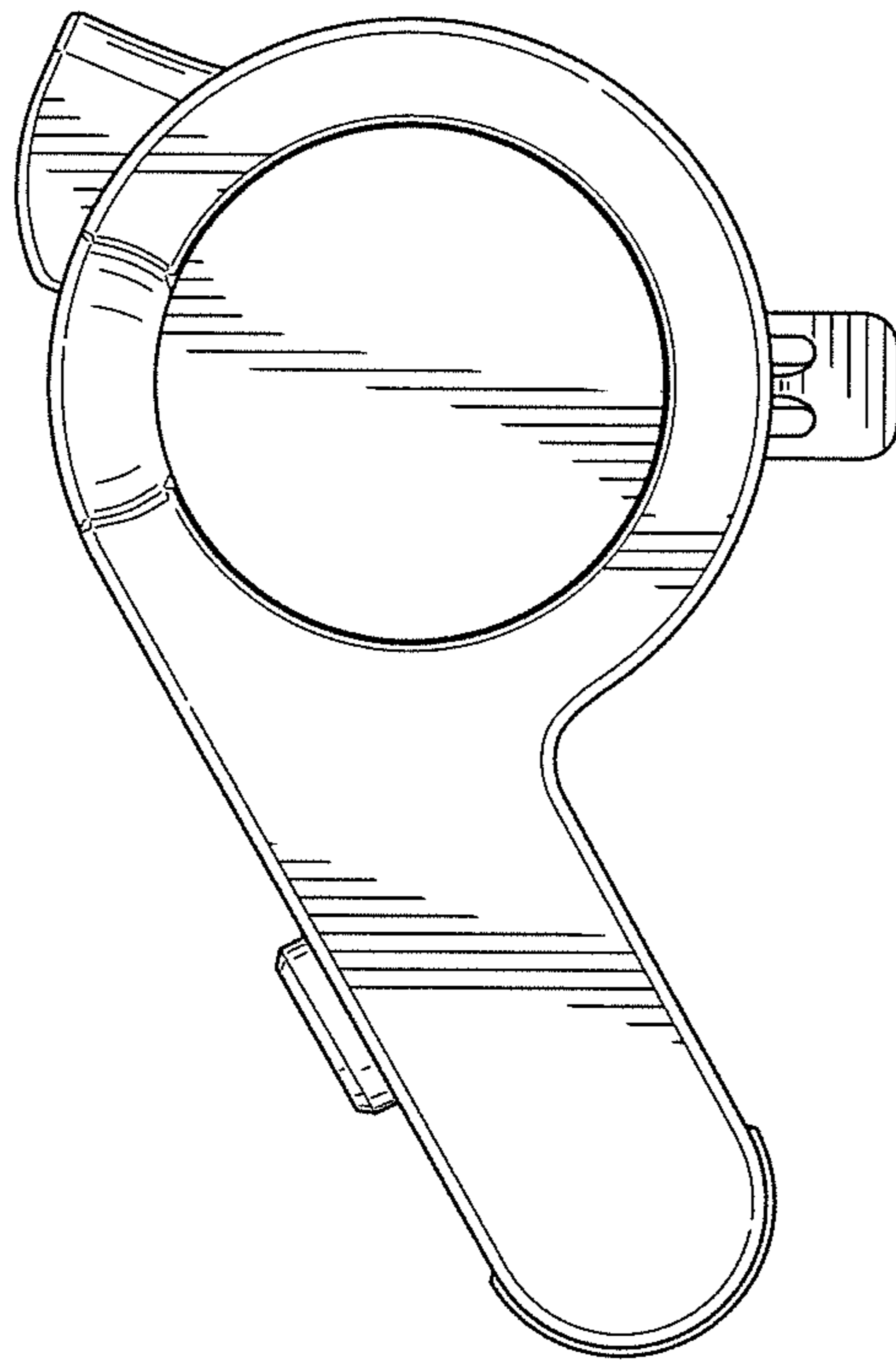


FIG. 6



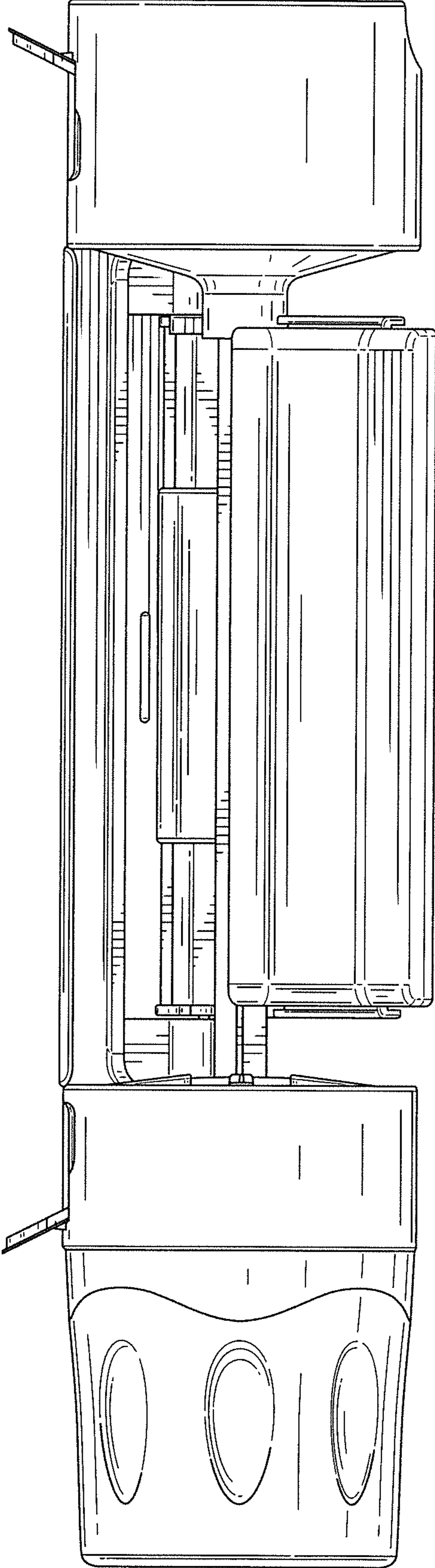


FIG. 7

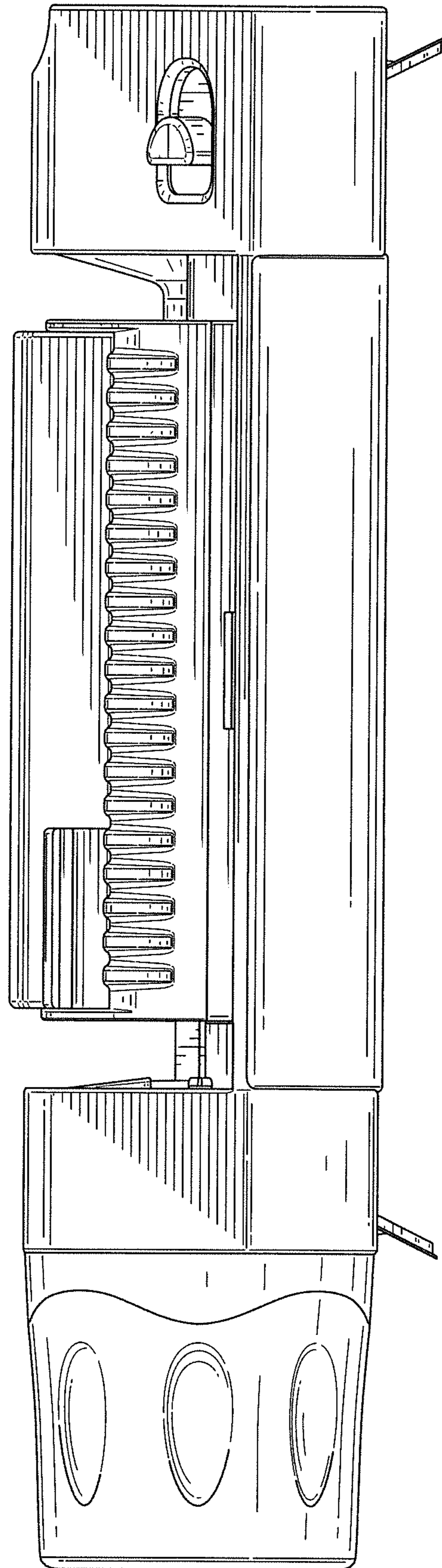


FIG. 8