



US00D949640S

(12) **United States Design Patent** (10) **Patent No.:** **US D949,640 S**
Liu (45) **Date of Patent:** **** Apr. 26, 2022**

(54) **KNIFE HOLDER**
(71) Applicant: **Guixing Liu**, Guangdong (CN)
(72) Inventor: **Guixing Liu**, Guangdong (CN)
(73) Assignee: **Yangjiang Jiangcheng Xuanxuan Manufacture LLC.**, Guangdong (CN)
(**) Term: **15 Years**
(21) Appl. No.: **29/744,008**
(22) Filed: **Jul. 27, 2020**
(51) **LOC (13) Cl.** **07-07**
(52) **U.S. Cl.**
USPC **D7/640**
(58) **Field of Classification Search**
USPC D3/220, 273, 295, 315, 905; D7/213,
D7/623, 637, 639, 640, 641, 649, 651;
D8/35, 38, 63, 71, 91
CPC A47B 88/90; A47G 21/14; A47J 47/16;
B24D 15/084; B25H 3/04; B65D 25/205
See application file for complete search history.

D833,086 S * 11/2018 Hansen D30/121
D836,408 S * 12/2018 Pereira Da Silva D7/629
D842,660 S * 3/2019 Evans D7/637
D867,152 S * 11/2019 Bouheraoua, Jr. D9/561
D911,122 S * 2/2021 deBretton Gordon D7/637

OTHER PUBLICATIONS

All-In-One-Holder, Amazon.com, First available date Aug. 3, 2021. Retrieved from the internet Dec. 14, 2021<URL:https://www.amazon.com/dp/B09BQVK42X?th=1 (Year: 2021).*
Wellstar Universal Knife Block Holder For Kitchen, First available date Jun. 13, 2020. Retrieved from the internet Dec. 21, 2021<URL:https://www.amazon.com/dp/B0872R36Y8/?th=1 (Year: 2020).*

* cited by examiner

Primary Examiner — Joseph Kukella
Assistant Examiner — Darryl J Dardenne

(57) **CLAIM**

The ornamental design for a knife holder, as shown and described.

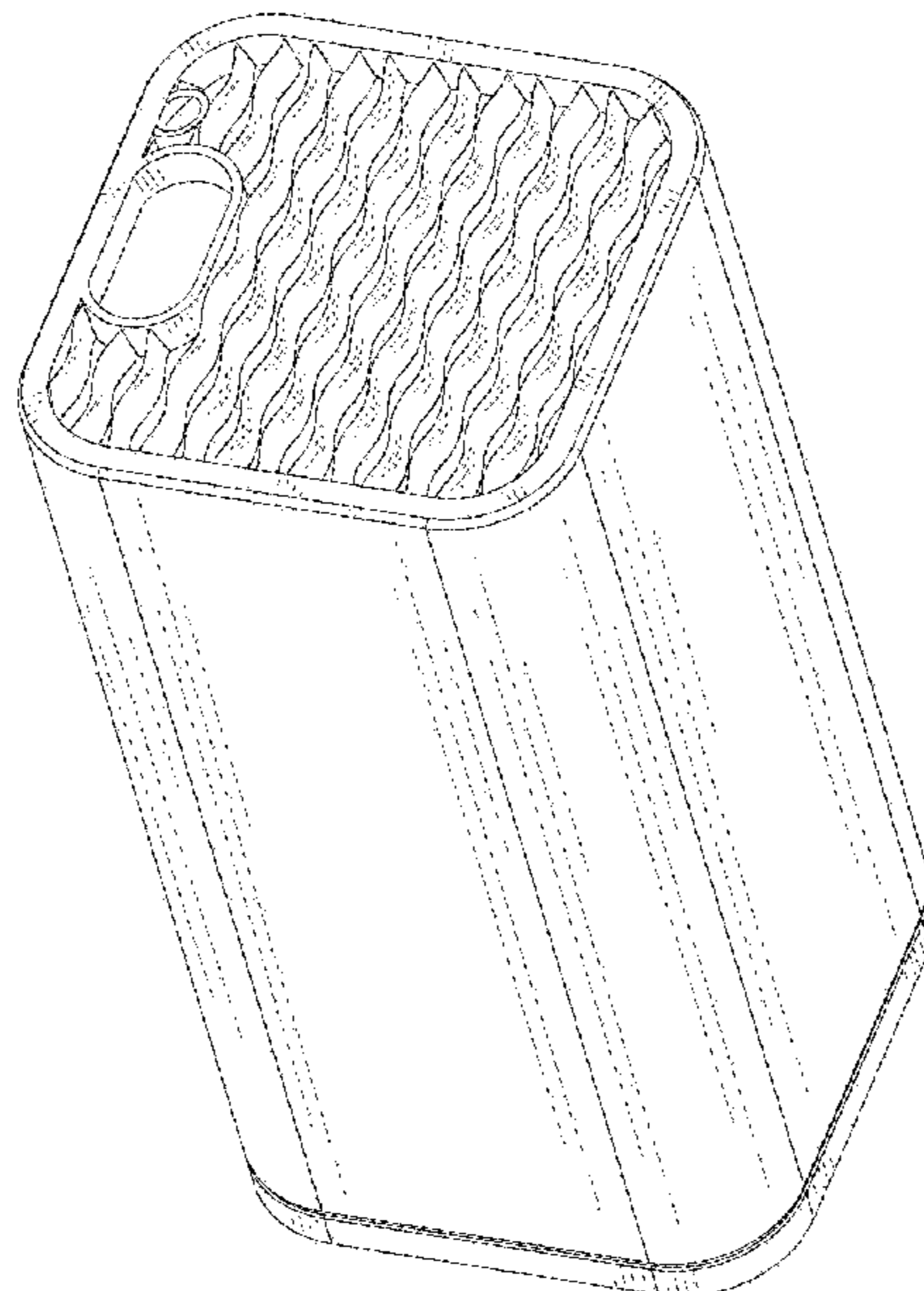
DESCRIPTION

FIG. 1 is a perspective view of a knife holder showing my new design;
FIG. 2 is a front elevational view thereof;
FIG. 3 is a rear elevational view thereof;
FIG. 4 is a left side elevational view thereof;
FIG. 5 is a right side elevational view thereof;
FIG. 6 is a top plan view thereof;
FIG. 7 is a bottom plan view thereof; and,
FIG. 8 is a front, right, top perspective view thereof.
The broken lines in the drawings depict portions of the knife holder that form no part of the claimed design.

1 Claim, 8 Drawing Sheets

(56) **References Cited**
U.S. PATENT DOCUMENTS

D279,253 S * 6/1985 Daenen D7/602
D336,017 S * 6/1993 Smith D7/629
D360,811 S * 8/1995 Cohen D7/641
D363,647 S * 10/1995 Rivlin A47G 21/14
D21/484
D380,940 S * 7/1997 Conner D19/77
5,775,518 A * 7/1998 Connor A47G 21/14
211/163
D434,615 S * 12/2000 Chien D7/637
D439,839 S * 4/2001 Wolf D9/425
D489,094 S * 4/2004 Bodum D19/73
D622,606 S * 8/2010 Masotti D9/561
D769,546 S * 10/2016 Hansen D30/121
D777,531 S * 1/2017 Joseph D7/637



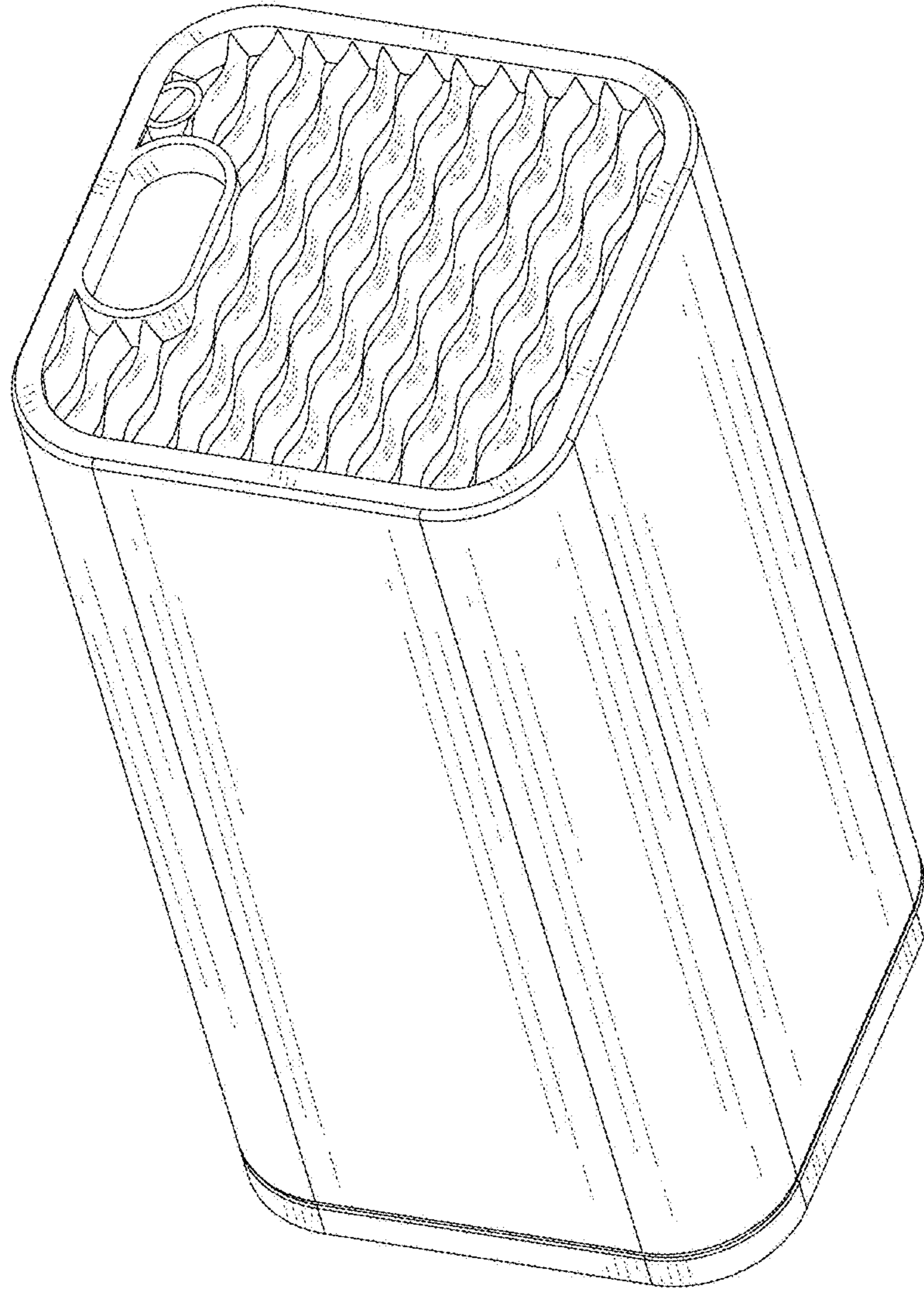


FIG. 1

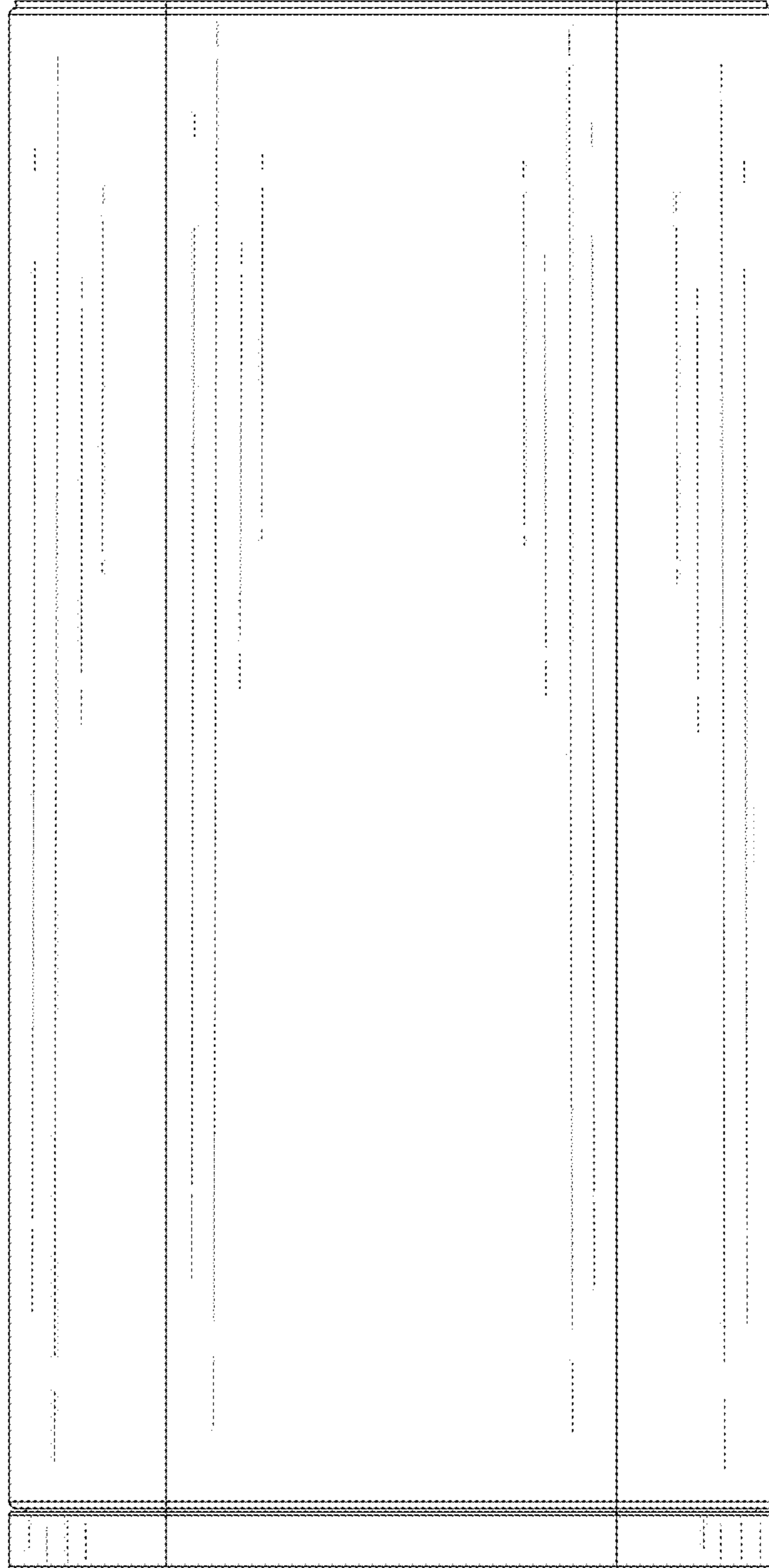


FIG. 2

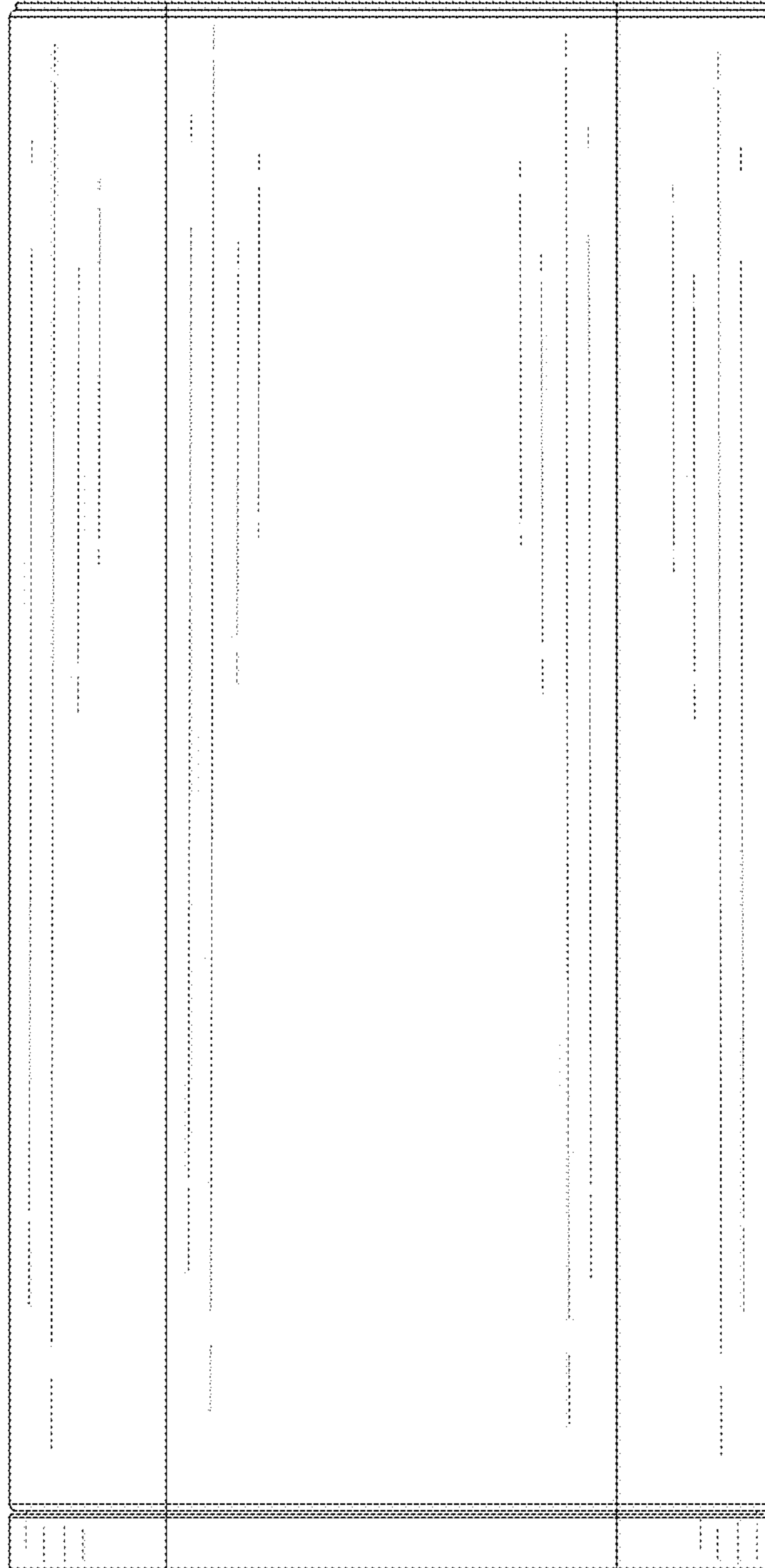


FIG. 3

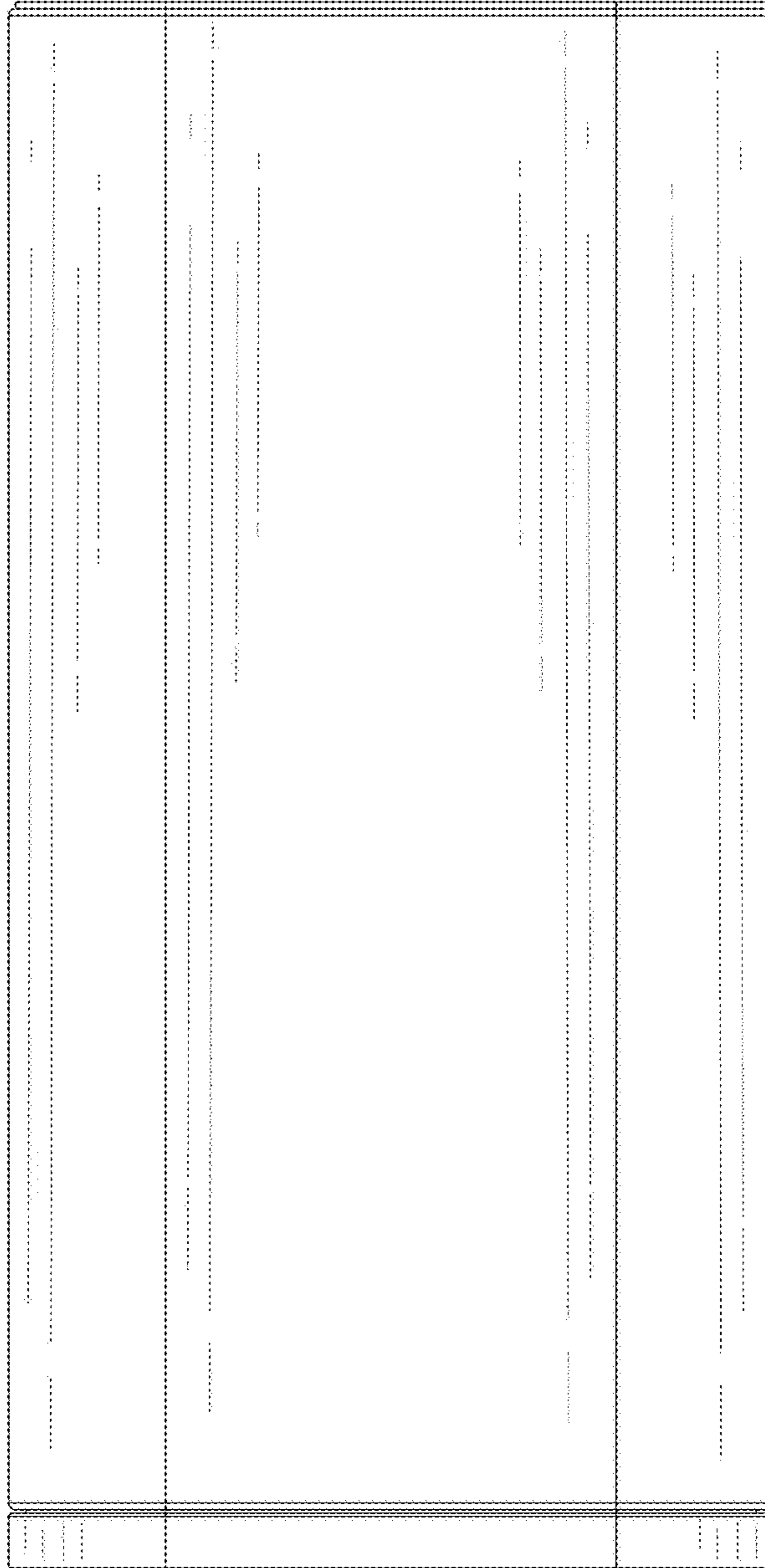


FIG. 4

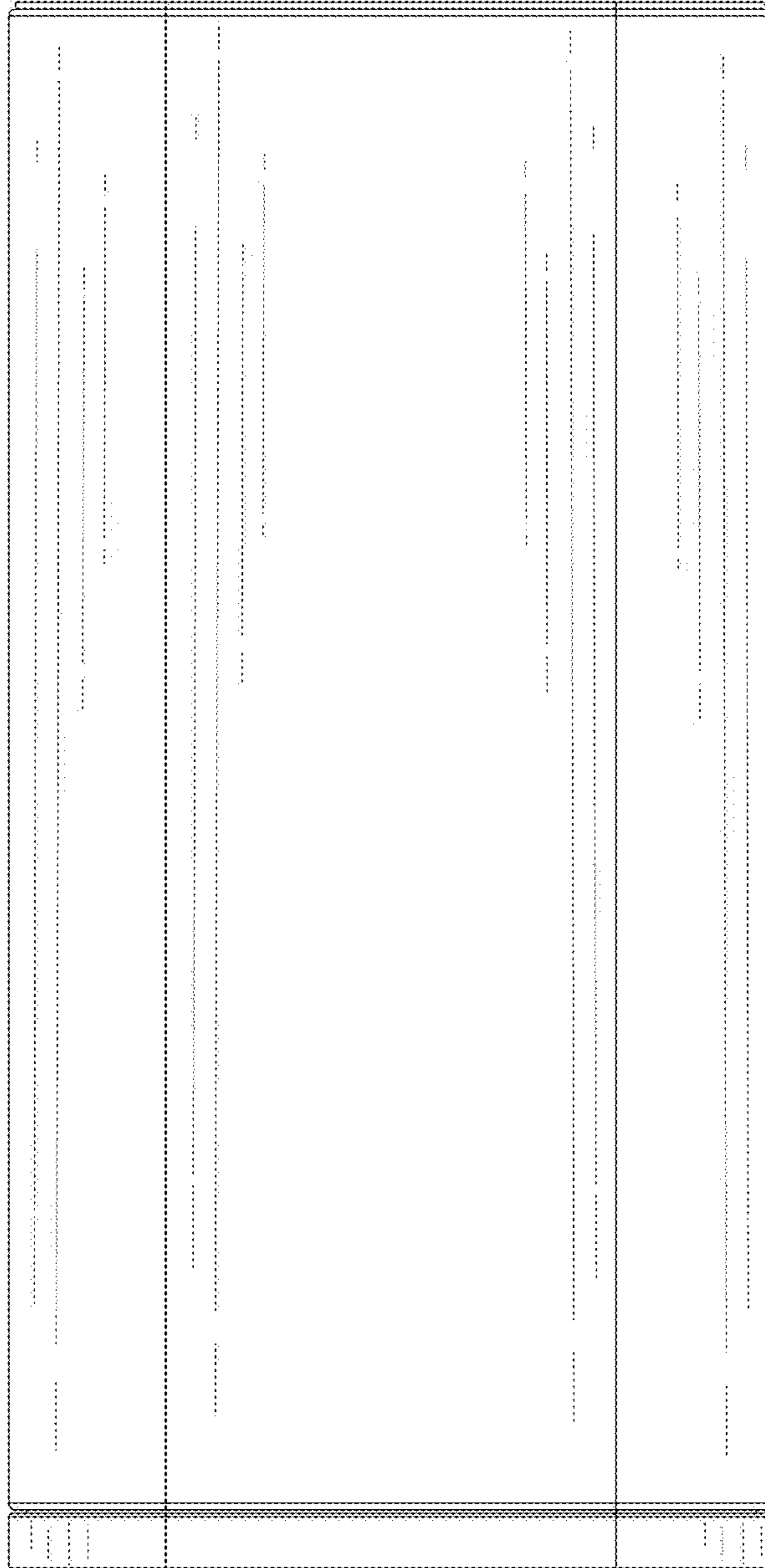


FIG. 5

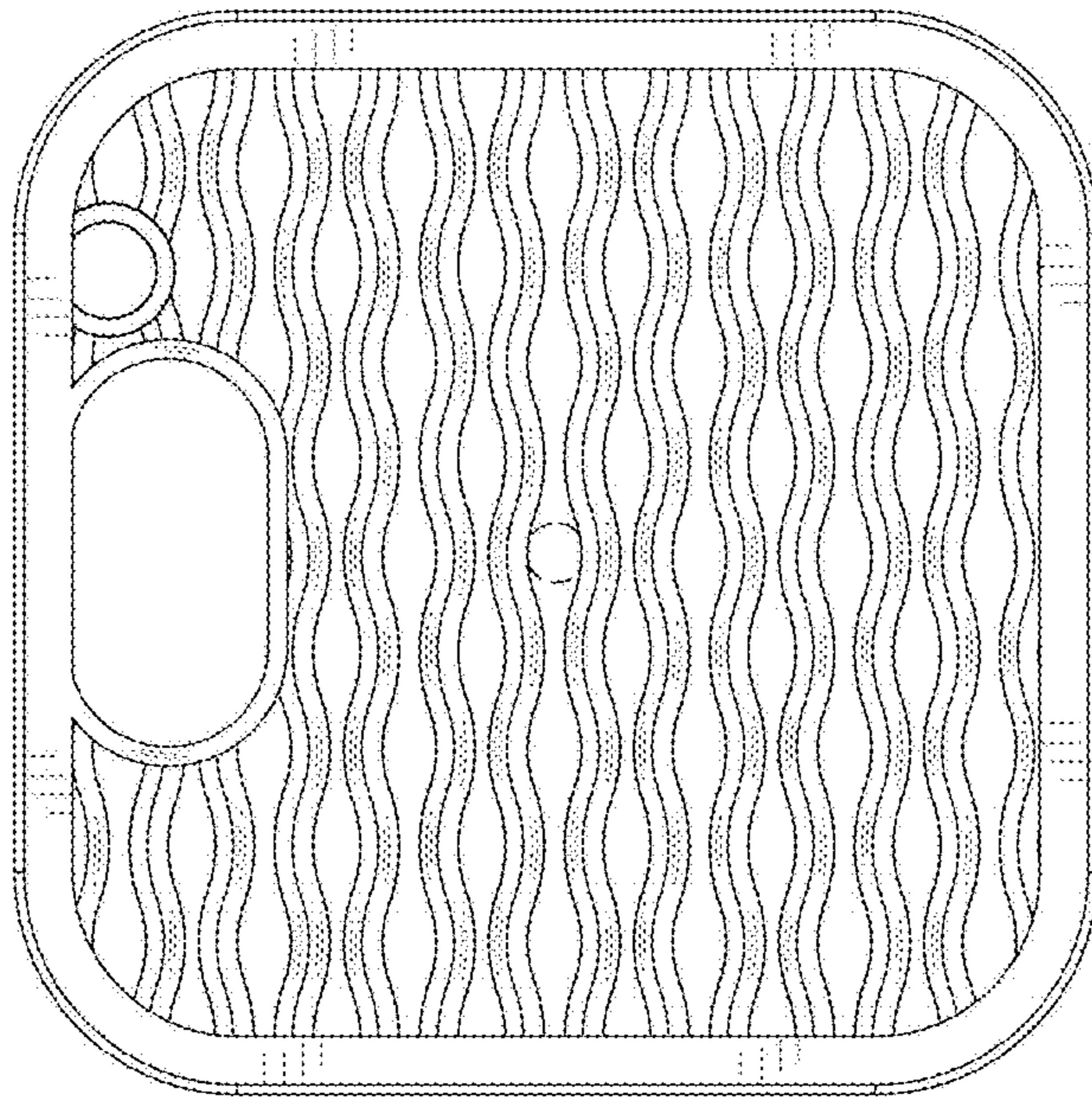


FIG. 6

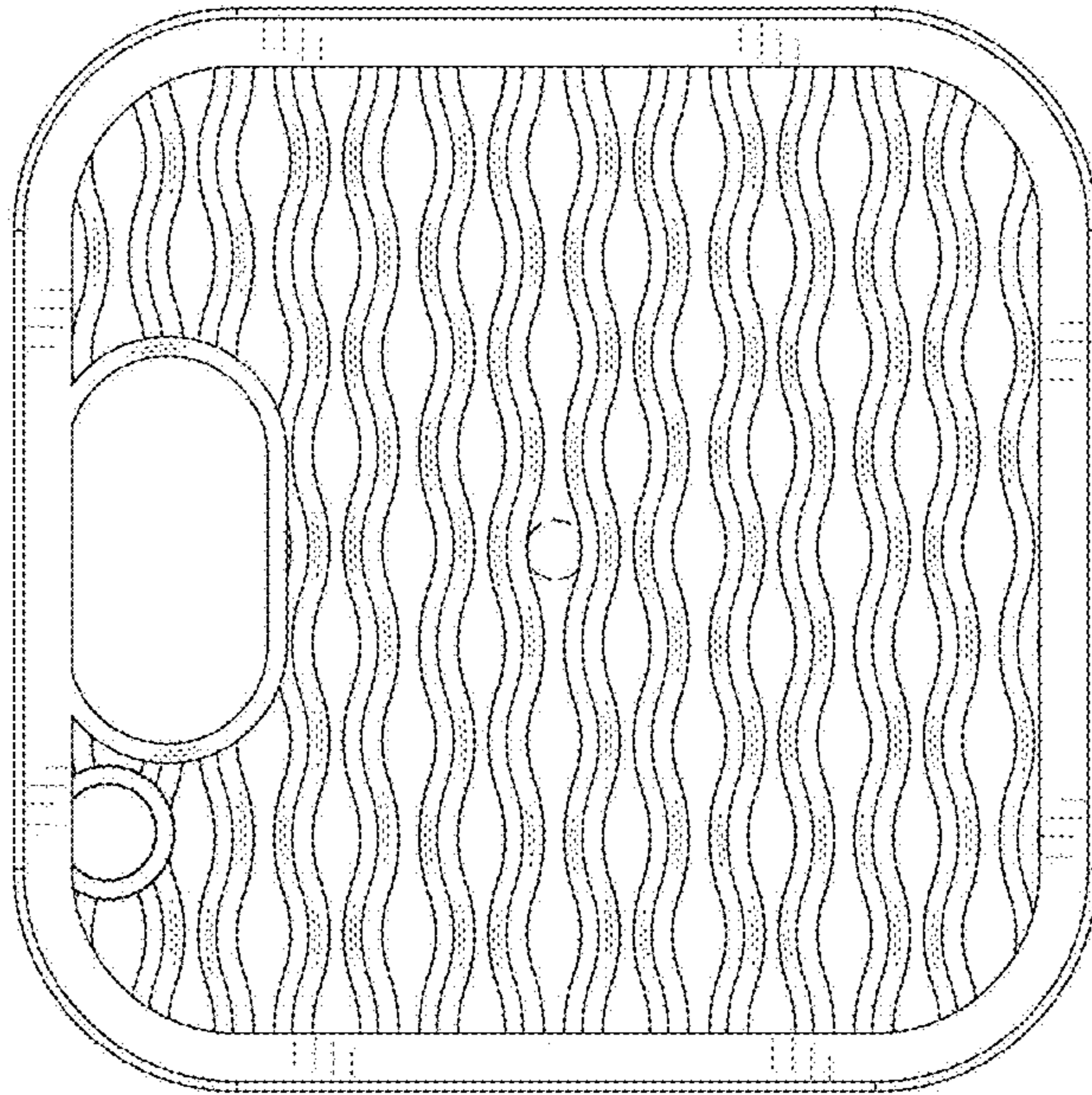


FIG. 7

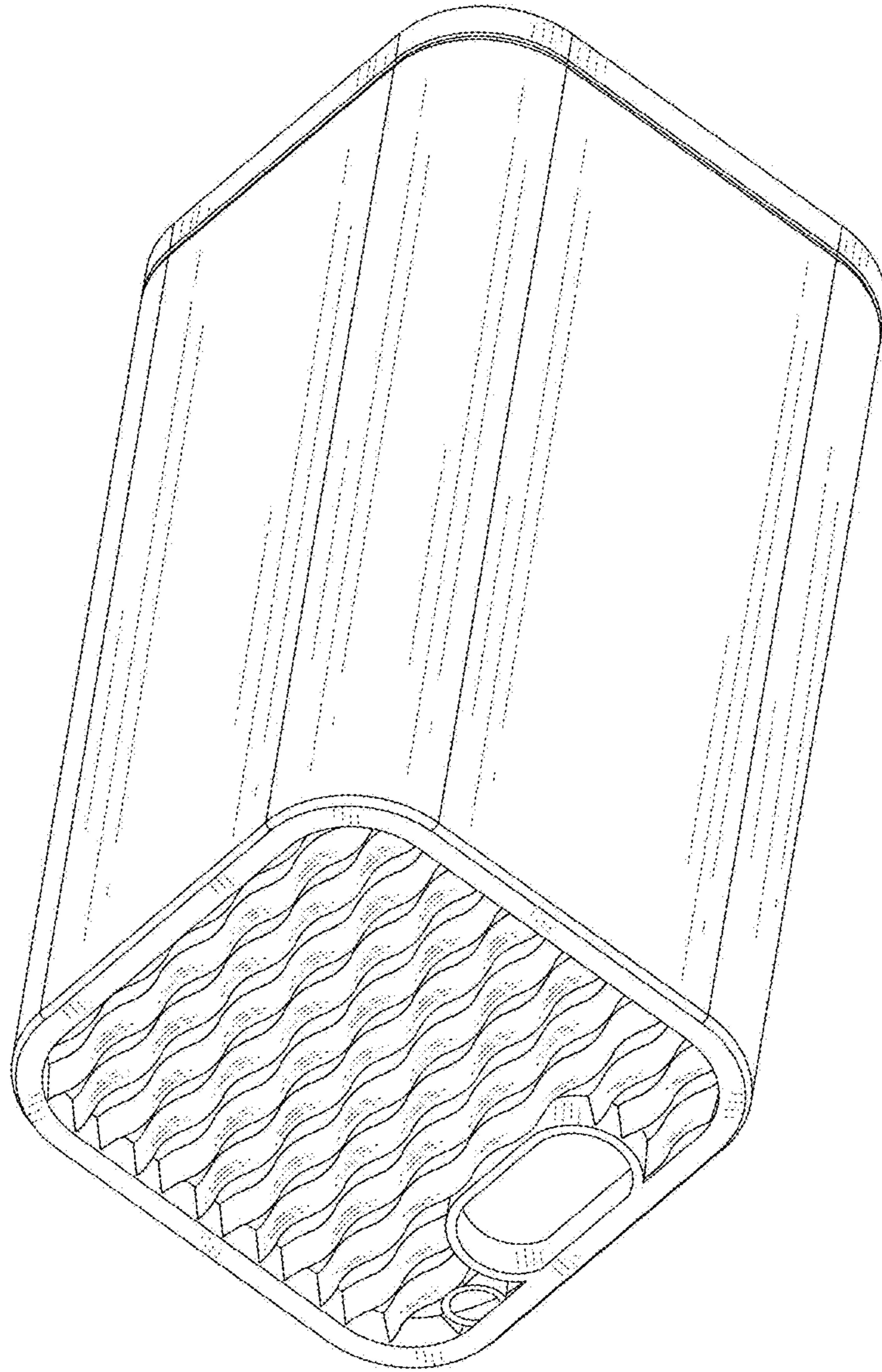


FIG. 8