



US00D949639S

(12) **United States Design Patent**
Wei

(10) **Patent No.:** **US D949,639 S**

(45) **Date of Patent:** **** Apr. 26, 2022**

(54) **KNIFE HOLDER**

(71) Applicant: **Junxiang Wei**, Zhejiang (CN)

(72) Inventor: **Junxiang Wei**, Zhejiang (CN)

(**) Term: **15 Years**

(21) Appl. No.: **29/740,086**

(22) Filed: **Jul. 1, 2020**

(51) **LOC (13) Cl.** **07-07**

(52) **U.S. Cl.**
USPC **D7/637**

(58) **Field of Classification Search**
USPC D3/220, 273, 295, 313, 315, 905;
D7/213, 623, 637, 639, 649, 641, 651;
D8/35, 38, 63, 71, 91
CPC A47B 88/90; A47G 21/14; A47J 47/16;
B24D 15/084; B25H 3/04; B65D 25/205
See application file for complete search history.

10,383,468 B2 * 8/2019 Kerulis A47G 21/14
D917,982 S * 5/2021 deBretton Gordon
A47G 21/14
D7/637
11,160,402 B2 * 11/2021 deBretton Gordon
A47G 21/14
2002/0179551 A1 * 12/2002 Madela A47L 19/04
211/41.3
2020/0253402 A1 * 8/2020 deBretton Gordon
A47G 21/14
2021/0130043 A1 * 5/2021 Brunner B65D 25/205

* cited by examiner

Primary Examiner — Joseph Kukella
Assistant Examiner — Darryl J Dardenne

(57) **CLAIM**

The ornamental design for a knife holder, as shown and described.

DESCRIPTION

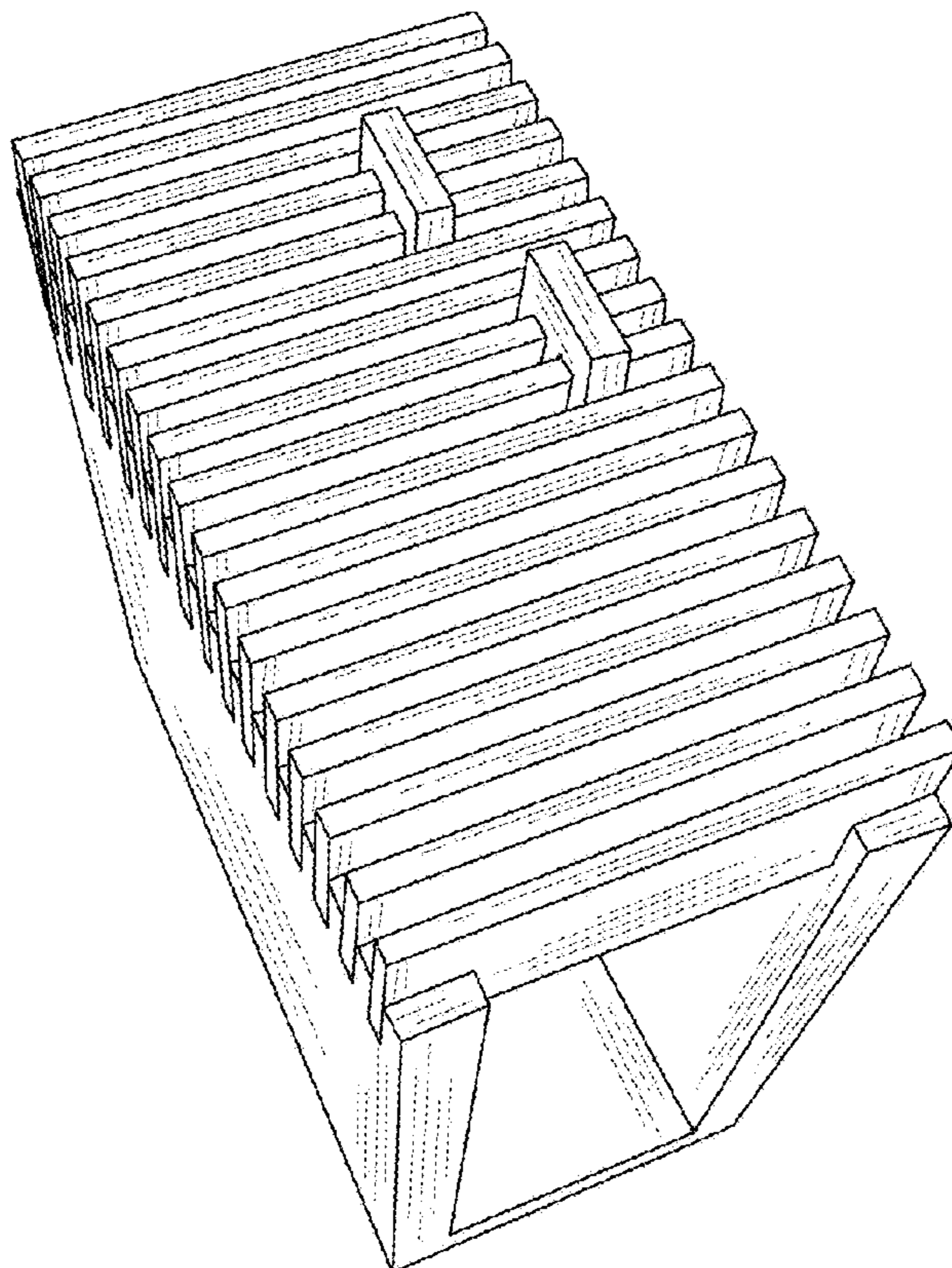
FIG. 1 is a perspective view of a knife holder showing my new design;
FIG. 2 is a front elevation view thereof;
FIG. 3 is a rear elevation view thereof;
FIG. 4 is a left side elevation view thereof;
FIG. 5 is a right side elevation view thereof;
FIG. 6 is a top plan view thereof; and,
FIG. 7 is a bottom plan view thereof.

1 Claim, 7 Drawing Sheets

(56) **References Cited**

U.S. PATENT DOCUMENTS

4,497,412 A * 2/1985 Labelle A47G 21/14
206/350
D760,551 S * 7/2016 Laamanen D7/637
D773,256 S * 12/2016 Plant A47G 21/14
D7/637
D773,902 S * 12/2016 Plant D7/637
D815,931 S * 4/2018 Skluzak A47G 21/14
D8/14



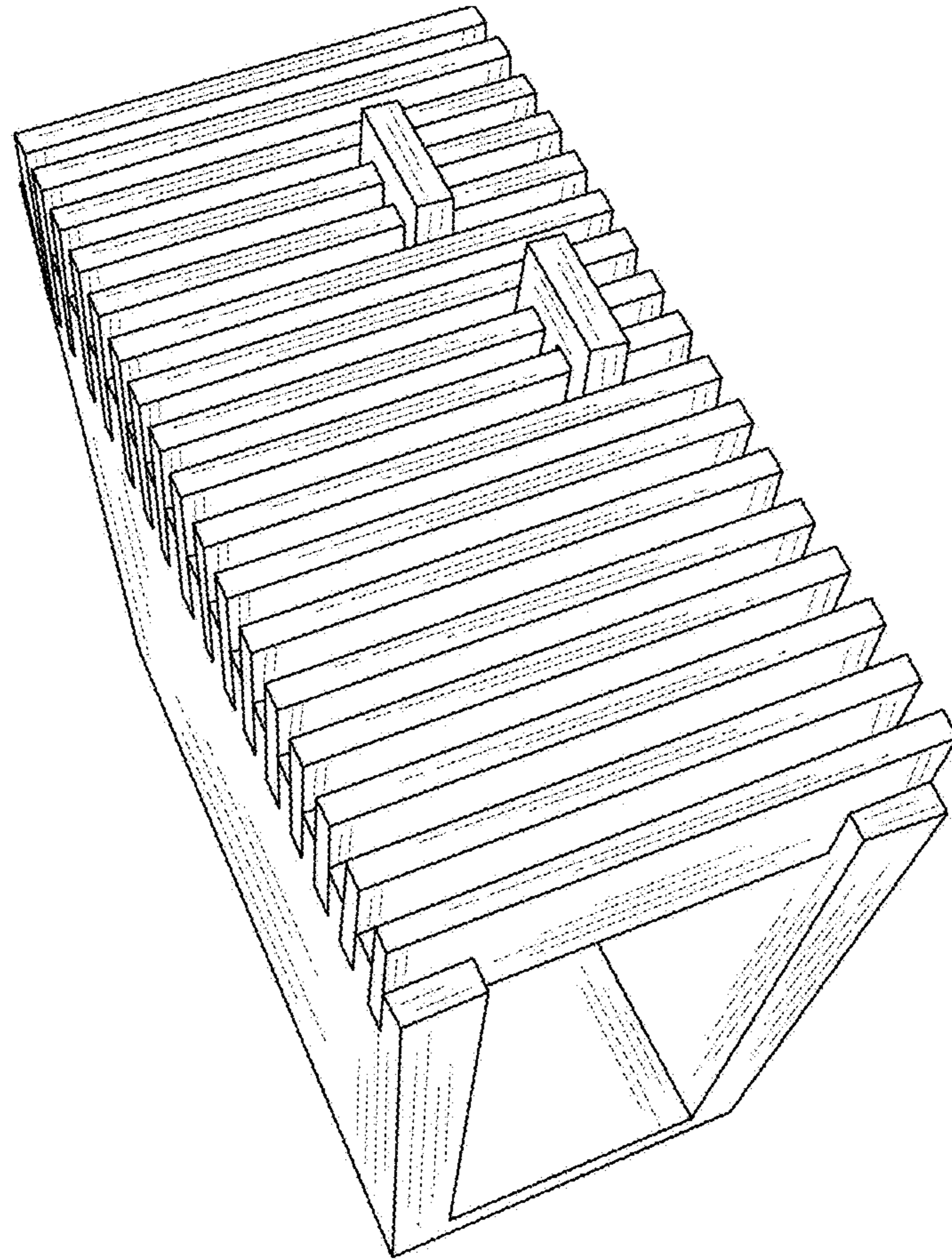


FIG.1

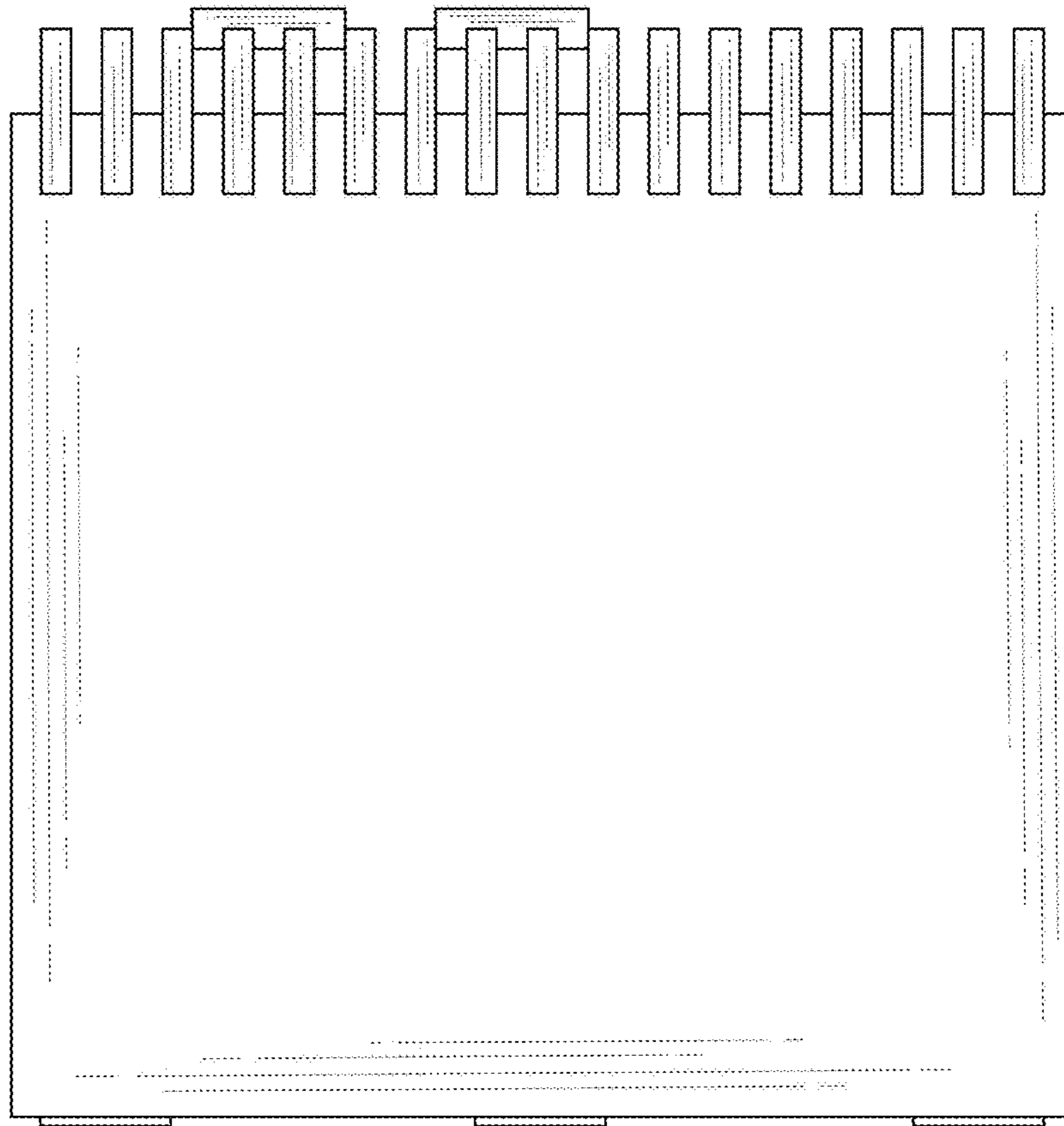


FIG.2

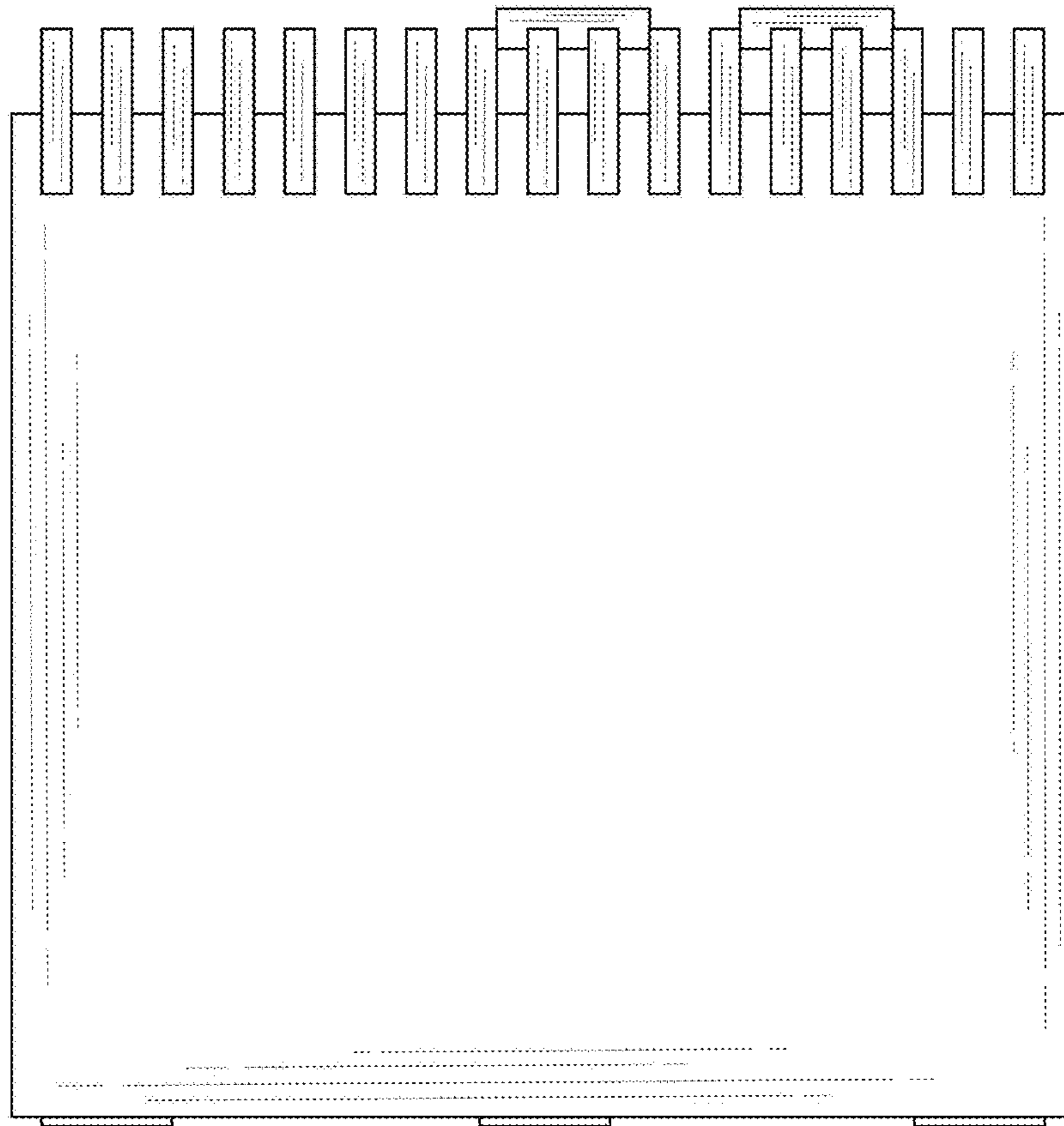


FIG.3

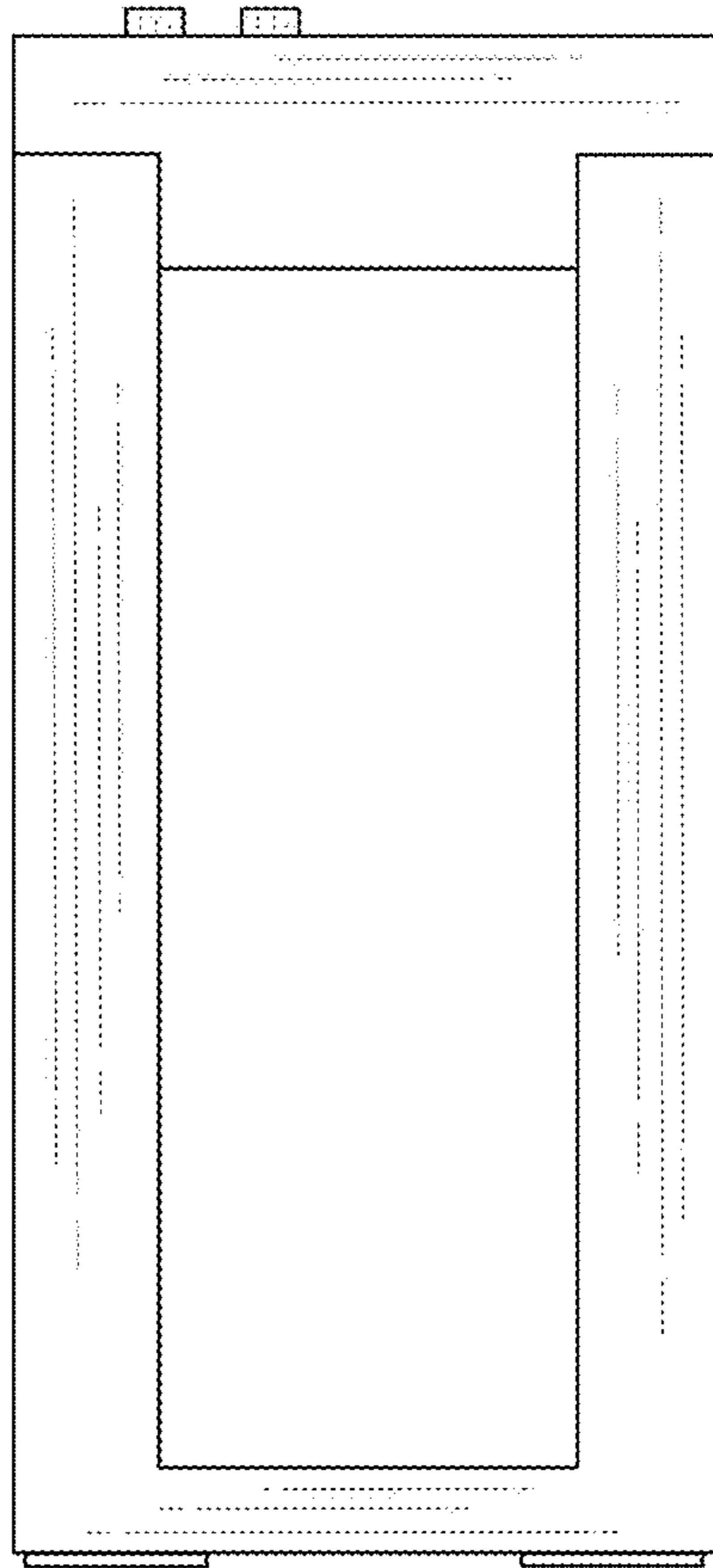


FIG.4

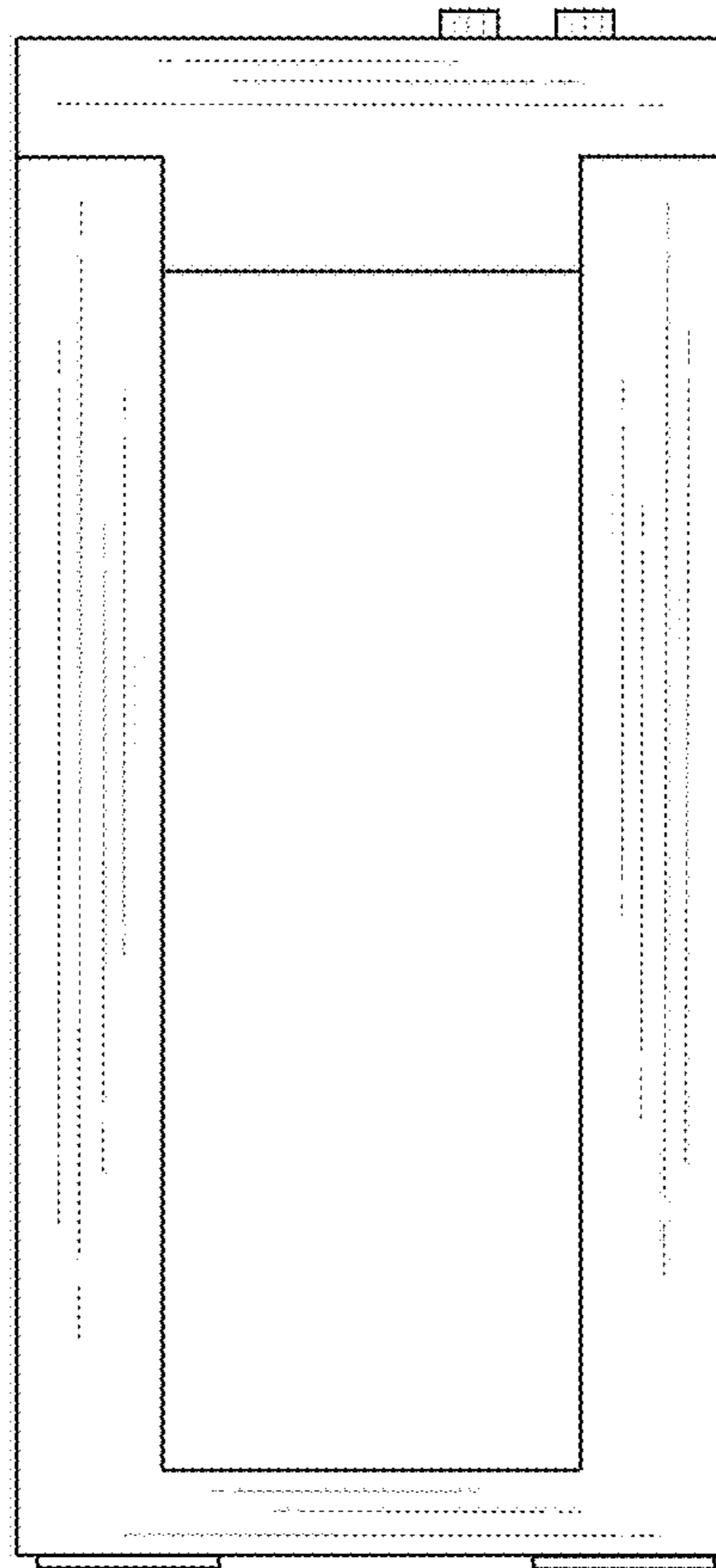


FIG.5

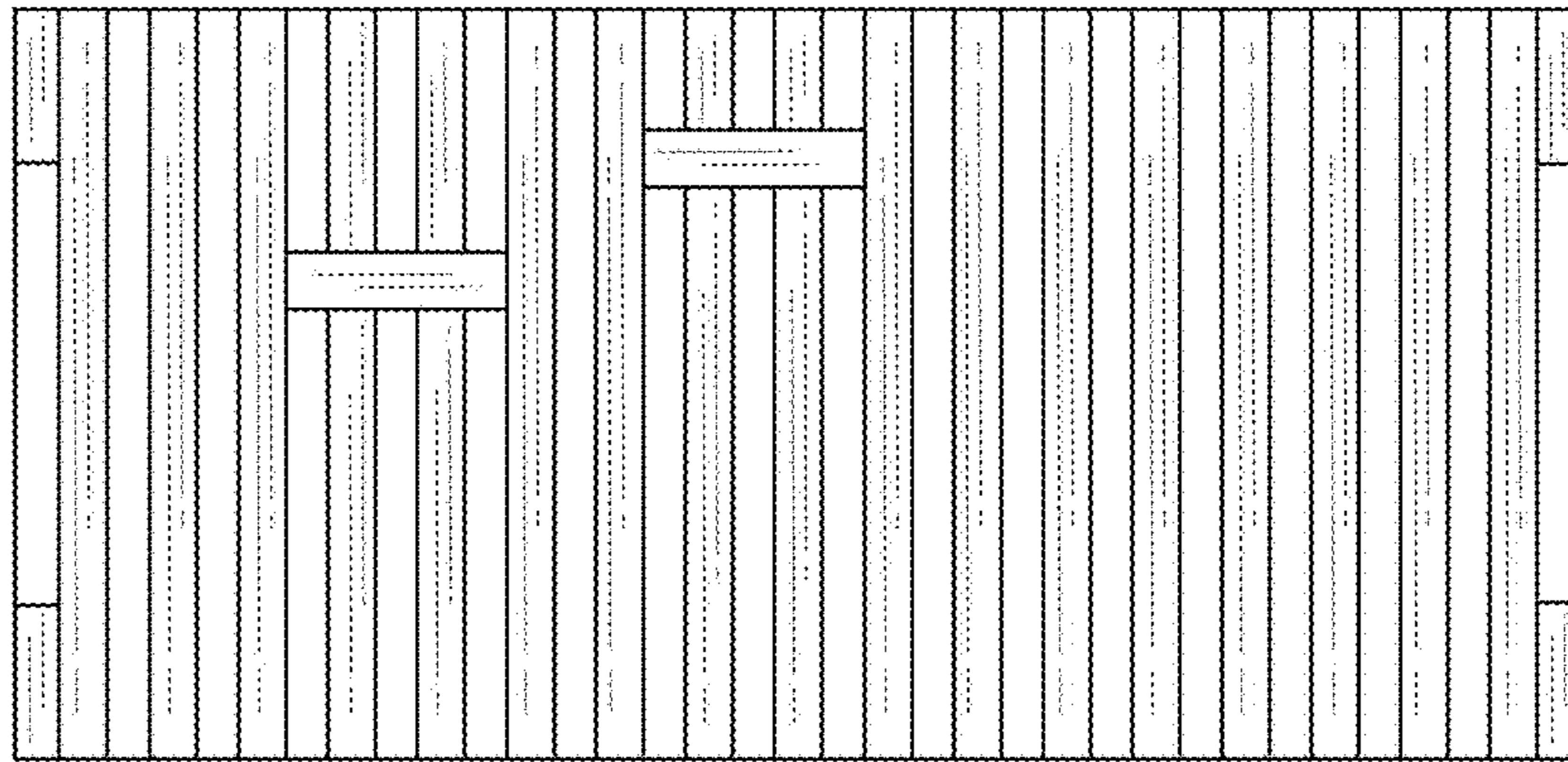


FIG.6

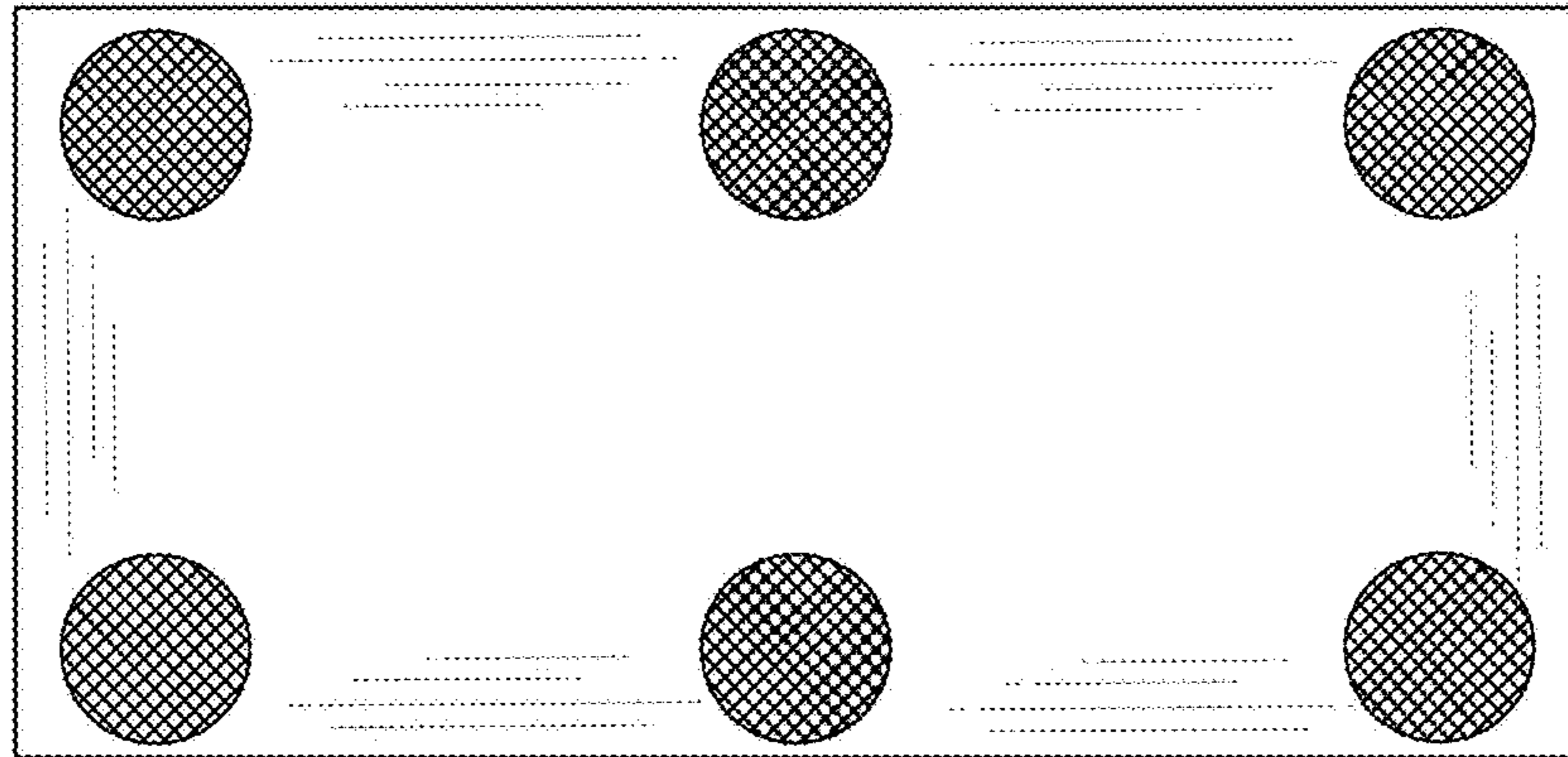


FIG. 7