



US00D949637S

(12) **United States Design Patent** (10) **Patent No.:** **US D949,637 S**
Earle et al. (45) **Date of Patent:** **** Apr. 26, 2022**

(54) **CONTAINER**

D758,805 S * 6/2016 Myoung D7/629
D801,754 S * 11/2017 Neumann A45C 11/20

(71) Applicant: **Propeller, Inc.**, Hoboken, NJ (US)

2010/0224531 A1* 9/2010 Claffy B65D 81/3823
206/561

(72) Inventors: **John Earle**, Shady Side, MD (US);
YaLun Lee, Jersey City, NJ (US);
Jason May, Brooklyn, NY (US); **Yos Kumthampinij**, Tenafly, NJ (US);
Kenneth Zorovich, Hoboken, NJ (US)

* cited by examiner

Primary Examiner — Terry A Wallace

(74) *Attorney, Agent, or Firm* — Greenberg Traurig, LLP

(73) Assignee: **PROPELLER, INC.**, Hoboken, NJ (US)

(**) Term: **15 Years**

(21) Appl. No.: **29/725,370**

(22) Filed: **Feb. 25, 2020**

(51) **LOC (13) Cl.** **07-07**

(52) **U.S. Cl.**
USPC **D7/629**

(58) **Field of Classification Search**
USPC D7/601, 602, 629, 630, 709, 612–615,
D7/538–542; D9/424, 428–432, 761,
D9/414, 642, 721
CPC . B65D 45/32; B65D 1/22; B65D 1/24; B65D
1/243; B65D 1/246; B65D 1/40; B65D
2581/00; B65D 81/3453; B65D 25/00;
B65D 25/04; B65D 45/22; A45C 5/02;
A45C 11/20; A45C 13/02; A45F 3/46
See application file for complete search history.

(56) **References Cited**

U.S. PATENT DOCUMENTS

D472,774 S * 4/2003 Pelstring D7/629
8,328,034 B2 * 12/2012 Miros B65B 7/16
220/4.22

(57) **CLAIM**

The ornamental design for a container, as shown and described.

DESCRIPTION

FIG. 1 is a perspective view of a container showing our new design, broken lines showing some of the elements are for illustrative purposes only and form no part of the claimed design;

FIG. 2 is a front elevational thereof;

FIG. 3 is a rear elevational view thereof;

FIG. 4 is a left side elevational view thereof;

FIG. 5 is a right side elevational view thereof;

FIG. 6 is a top plan view thereof;

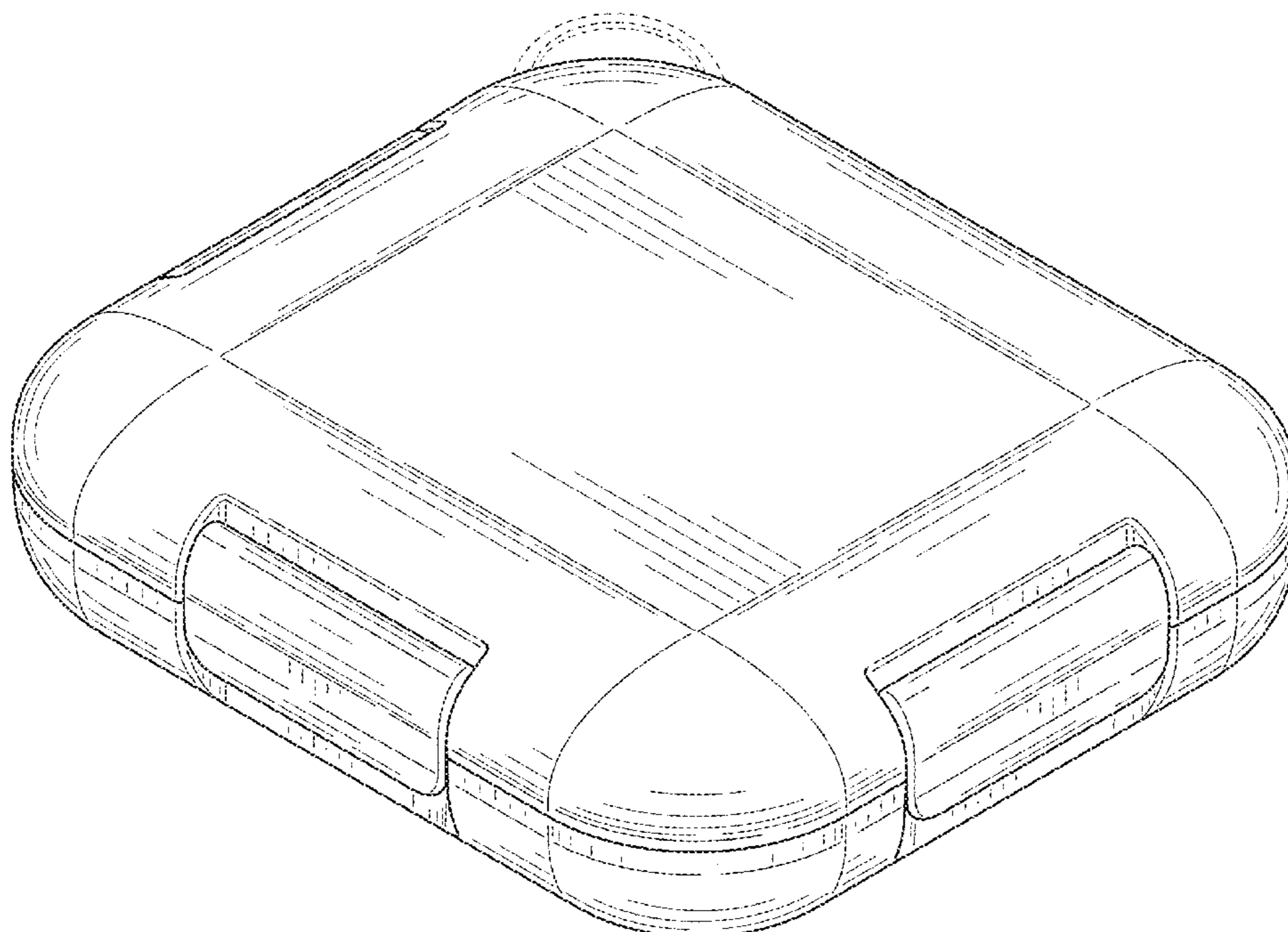
FIG. 7 is a bottom plan view thereof;

FIG. 8 is a perspective view thereof shown in an open position showing a tray housed therein;

FIG. 9 is a perspective view thereof shown in an open position showing a pair of smaller containers positioned within the tray; and,

FIG. 10 is a perspective view thereof shown in an open position with the container shown empty.

1 Claim, 8 Drawing Sheets



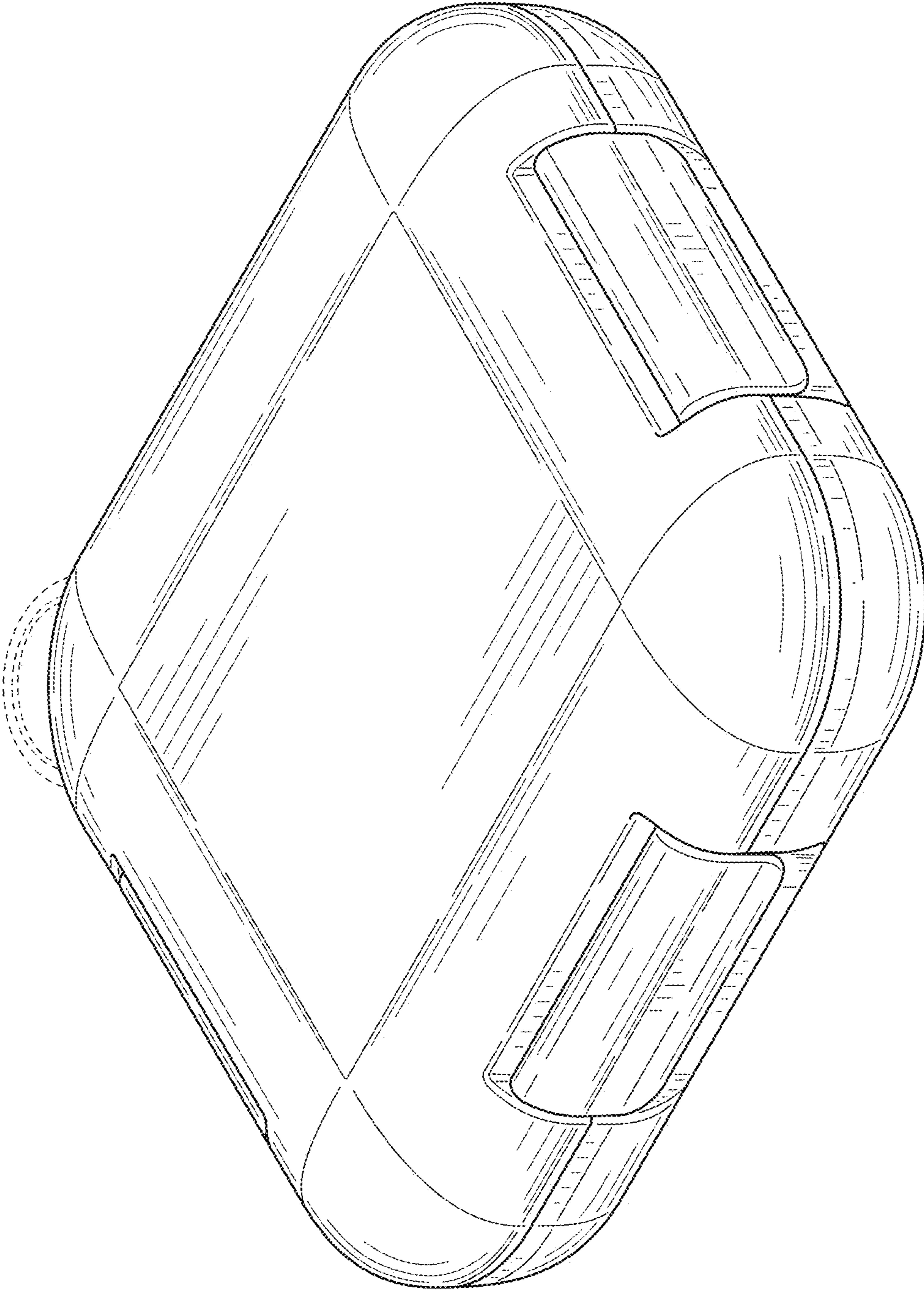


FIG. 1

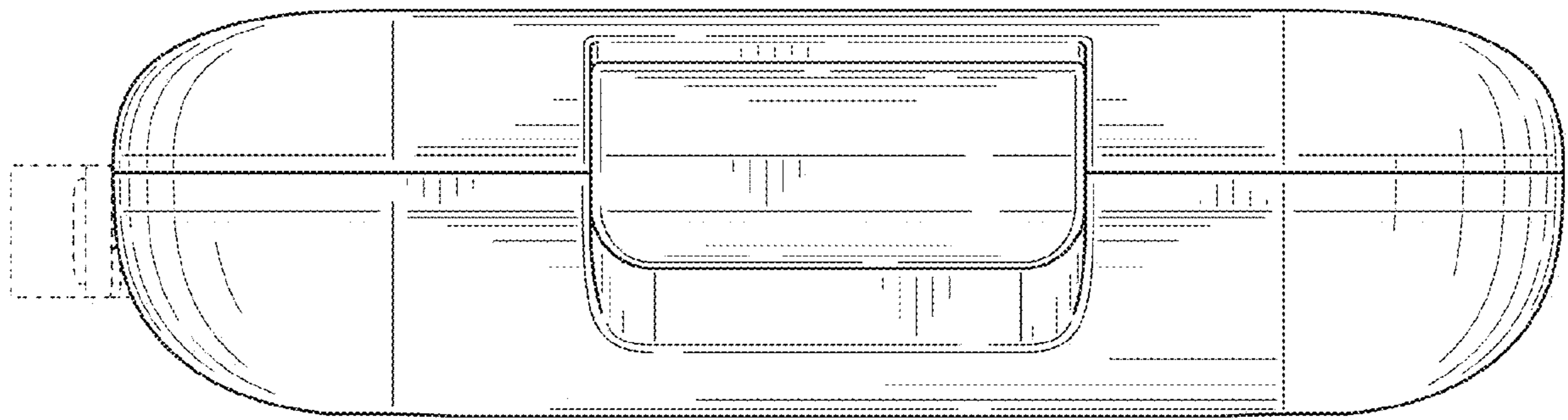


FIG. 2

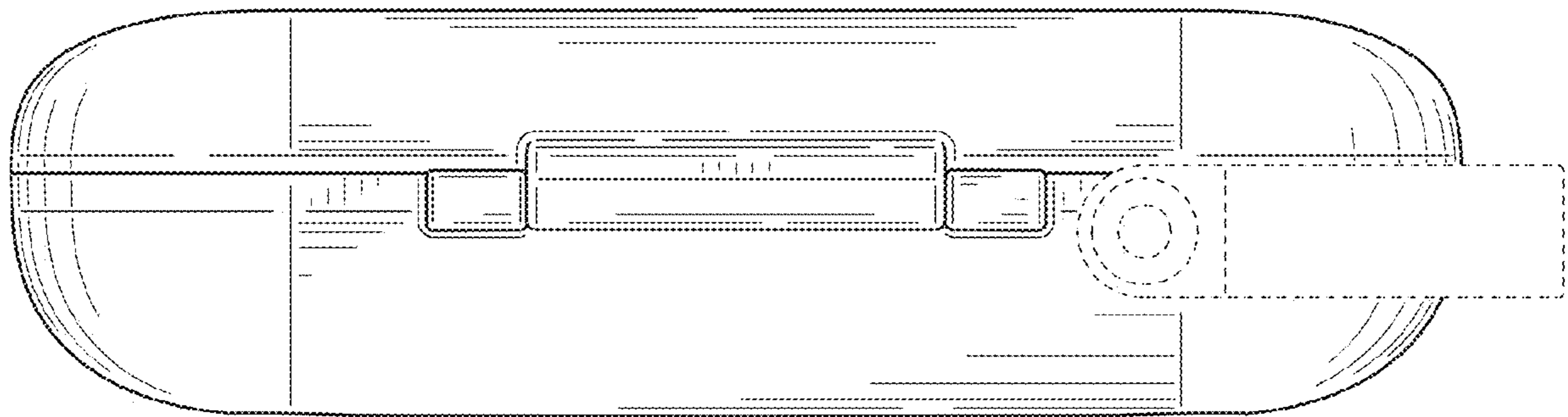


FIG. 3

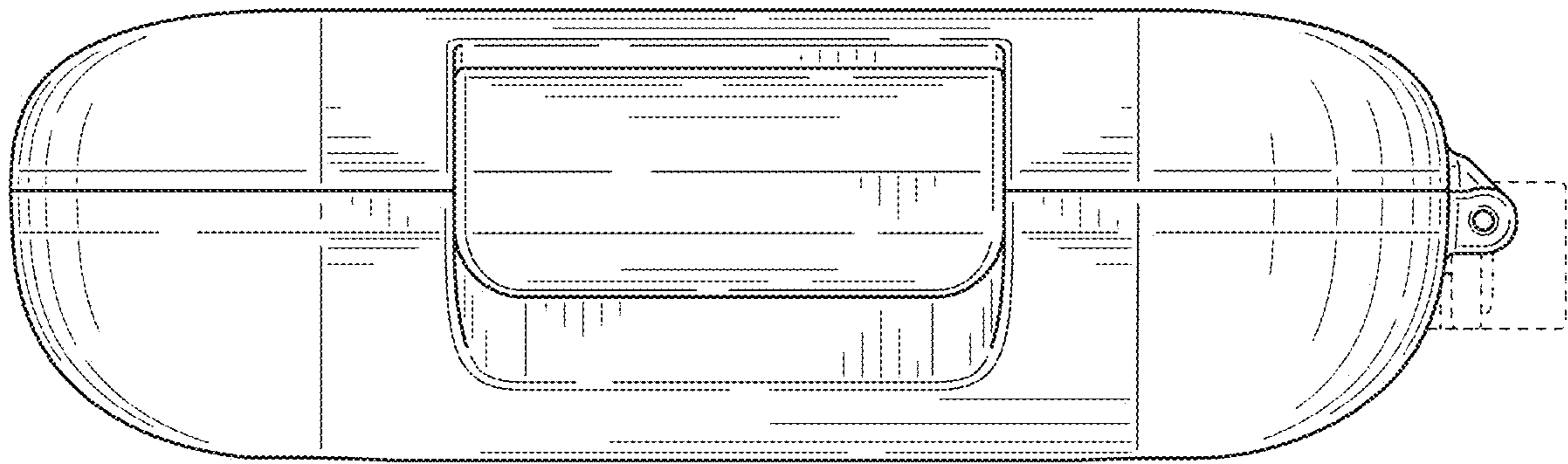


FIG. 4

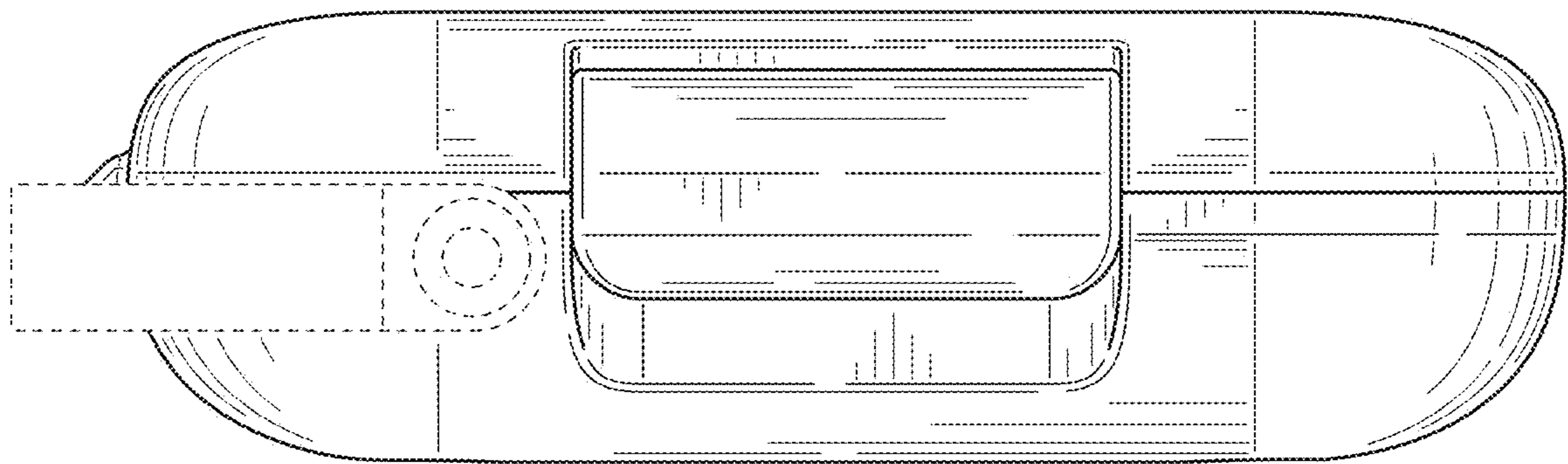


FIG. 5

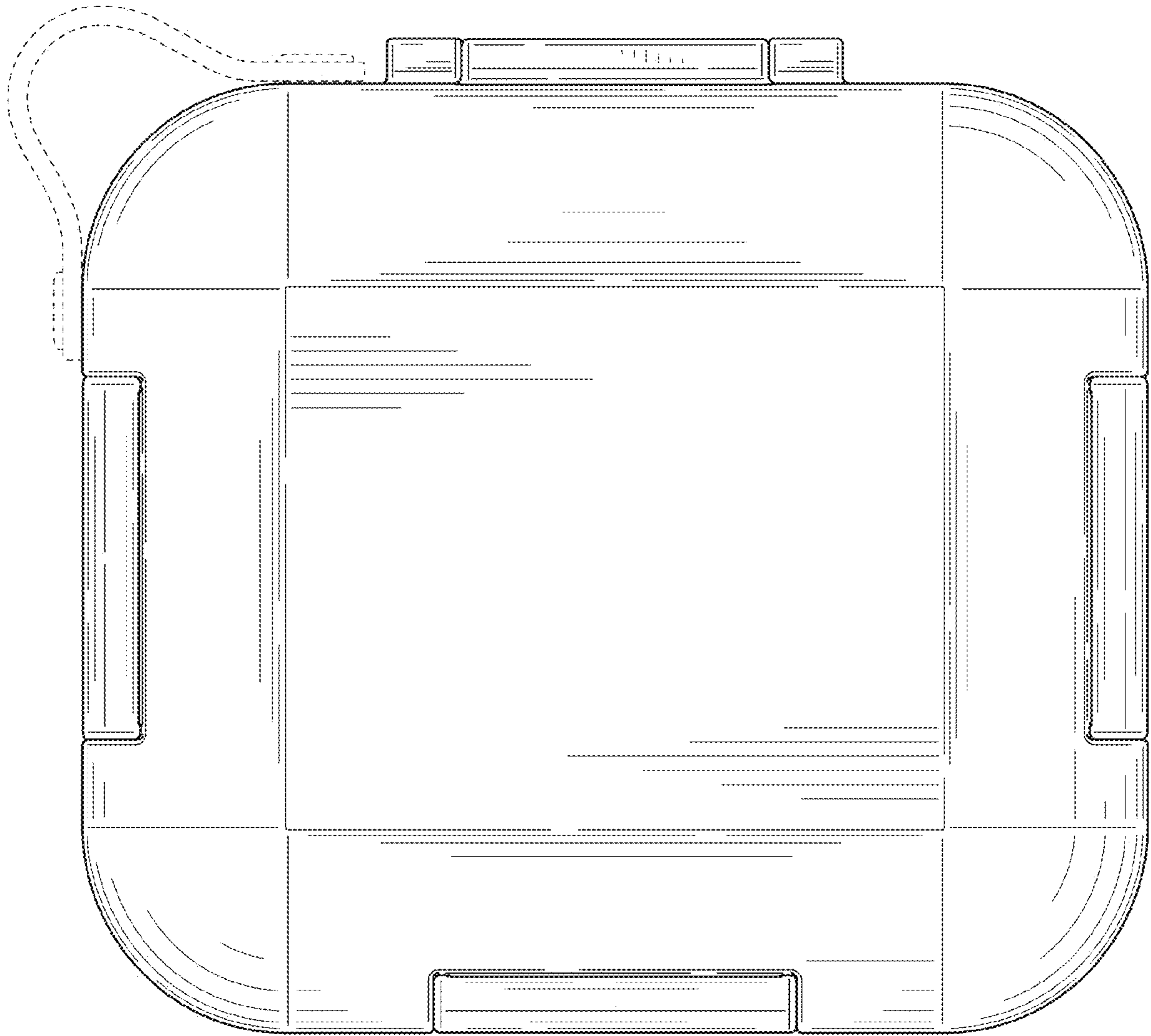


FIG. 6

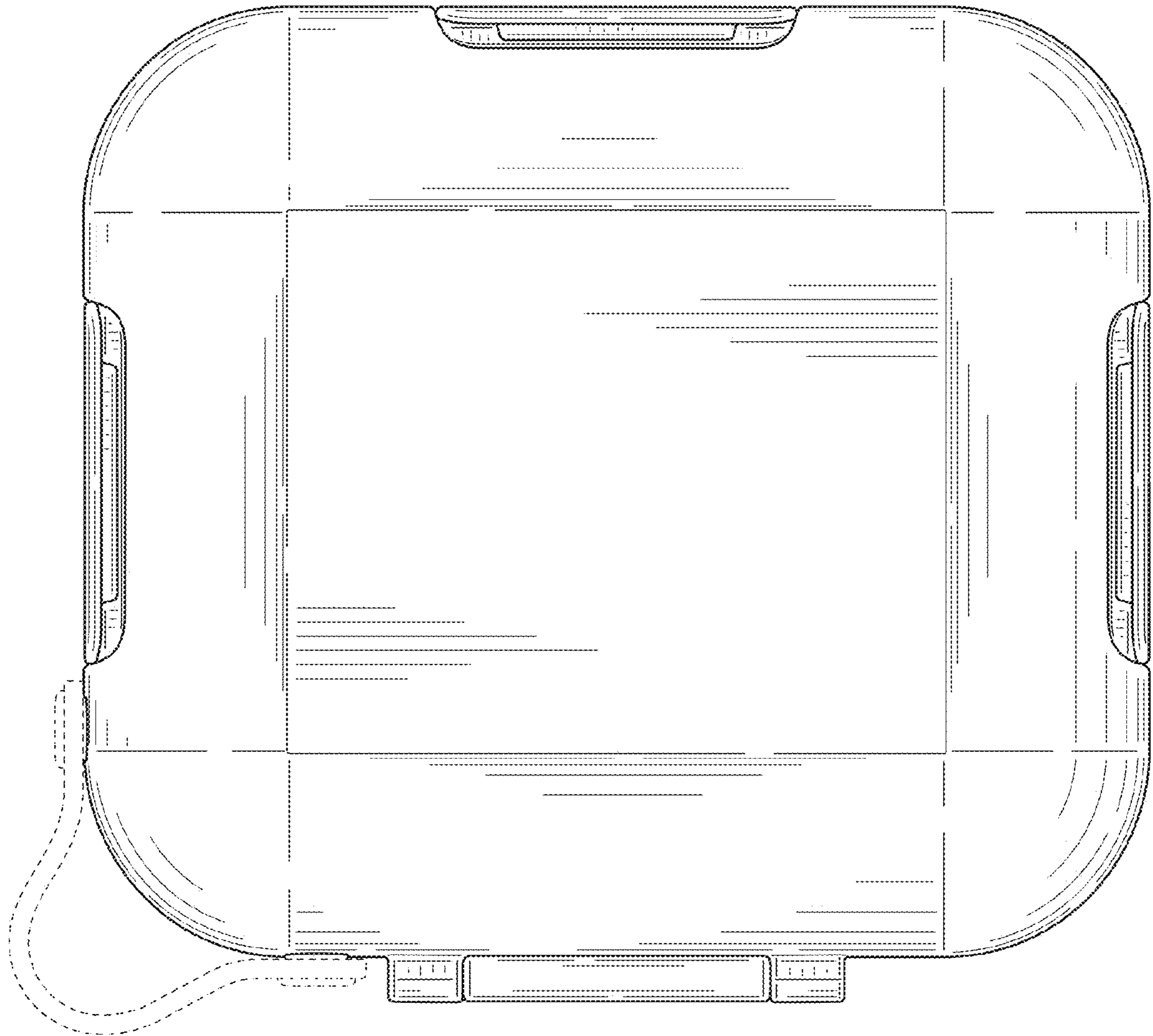


FIG. 7

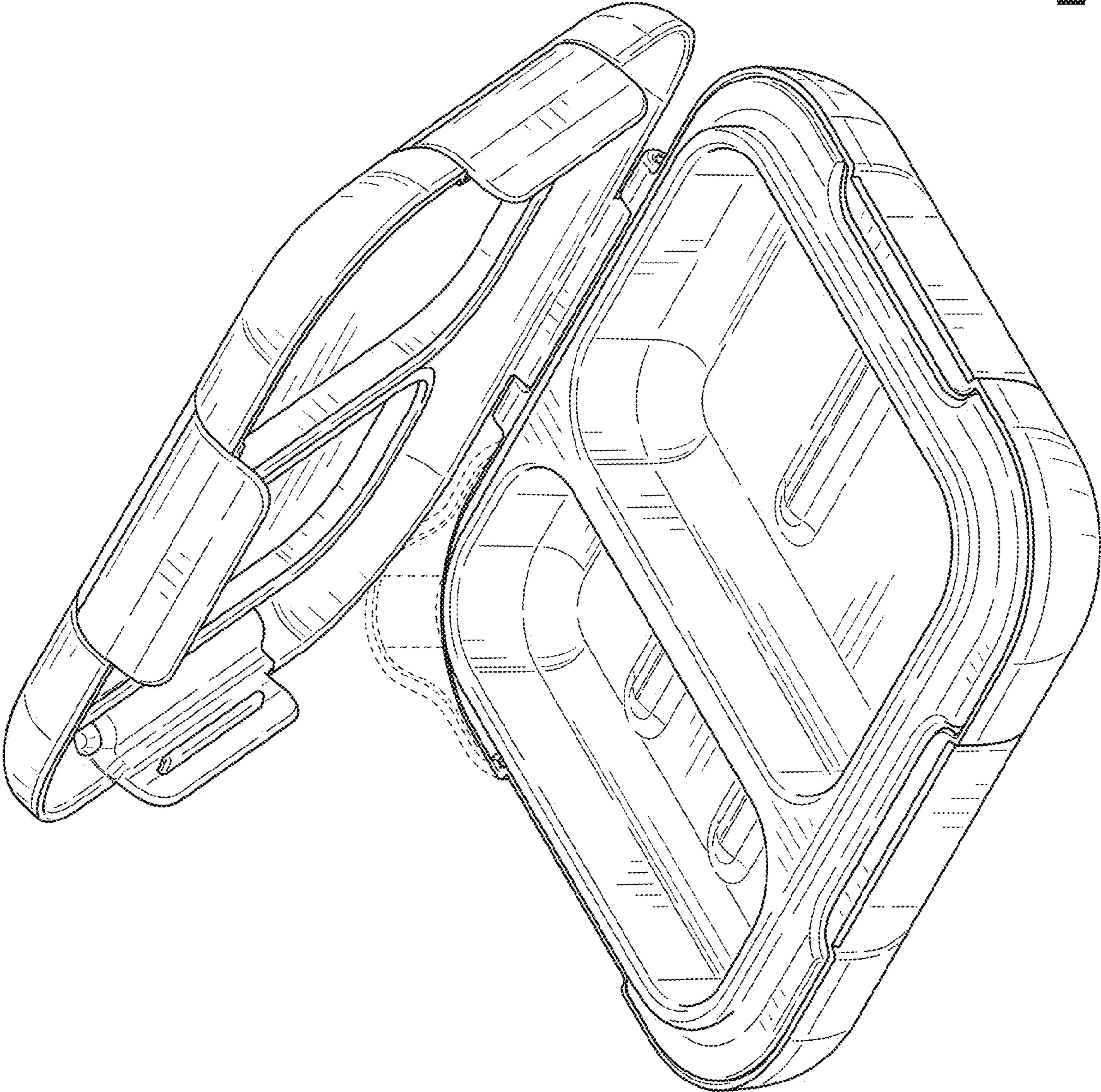


FIG. 8

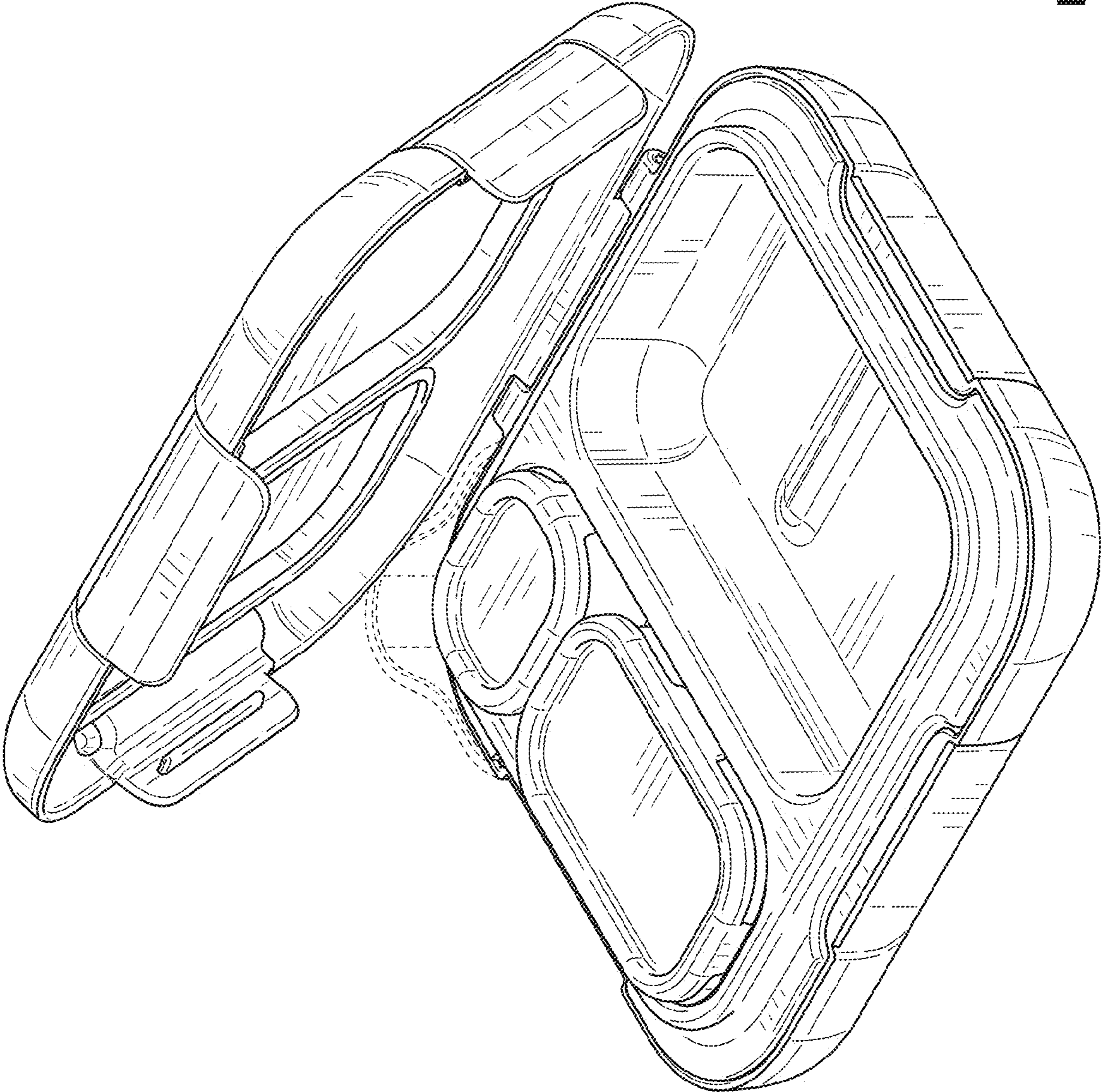


FIG. 9

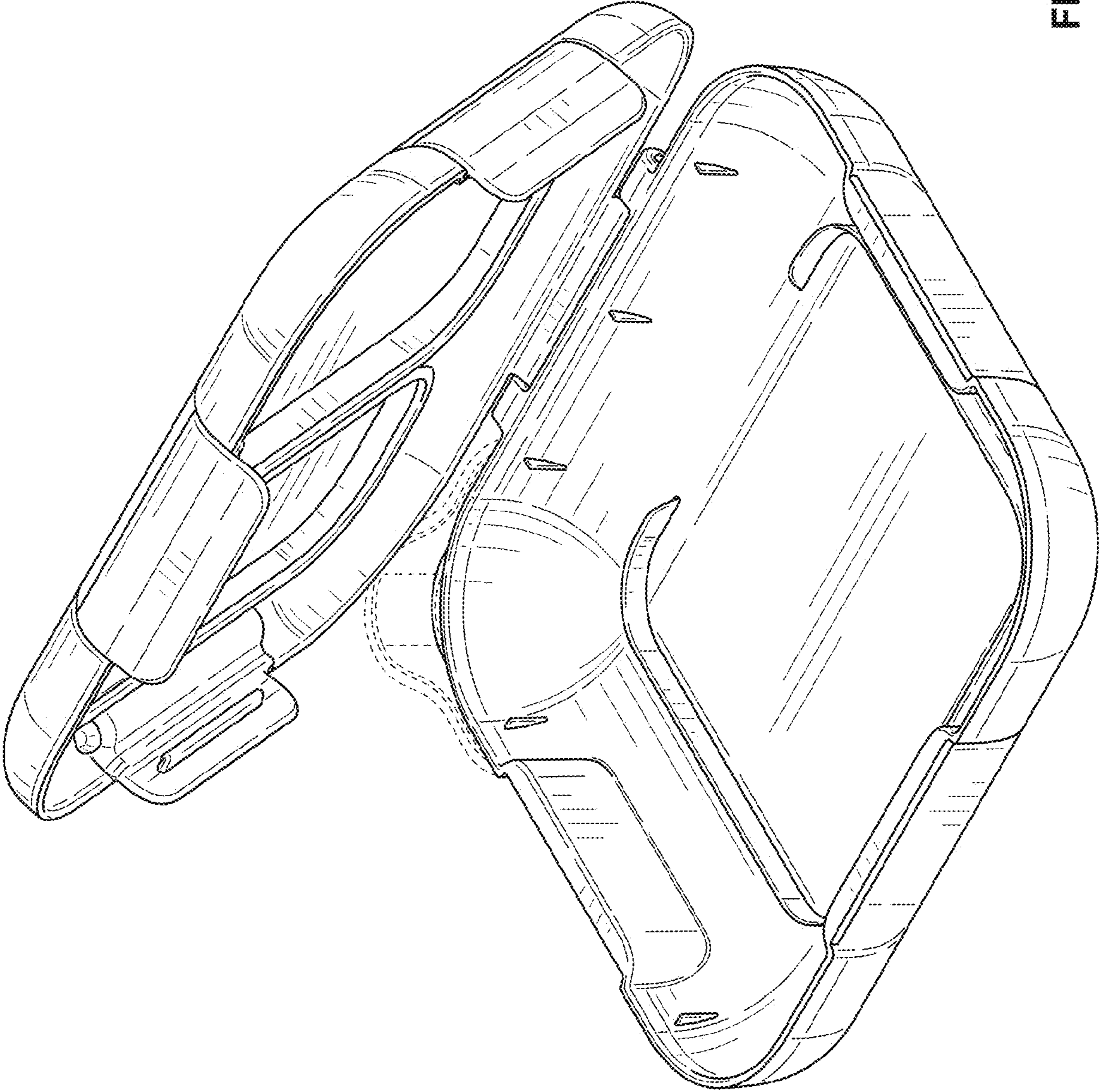


FIG. 10