



US00D949636S

(12) **United States Design Patent**
Pan

(10) **Patent No.:** **US D949,636 S**

(45) **Date of Patent:** **** Apr. 26, 2022**

(54) **BOTTLE HOLDER**

(71) Applicant: **SHENZHEN ZHIDAWEI TECHNOLOGY CO., LTD.**, Shenzhen (CN)

(72) Inventor: **Zhi Pan**, Shenzhen (CN)

(73) Assignee: **SHENZHEN ZHIDAWEI TECHNOLOGY CO., LTD.**, Shenzhen (CL)

(**) Term: **15 Years**

(21) Appl. No.: **29/787,810**

(22) Filed: **Jun. 8, 2021**

(30) **Foreign Application Priority Data**

Dec. 22, 2020 (EM) 008359889-0002

(51) **LOC (13) Cl.** **07-09**

(52) **U.S. Cl.**
USPC **D7/620**

(58) **Field of Classification Search**
USPC D7/300, 313, 316, 507, 509, 510, 511, D7/602, 605, 606, 607, 608, 620, 624.2, D7/701; D12/114, 411, 415, 417, 419, D12/420, 436
CPC .. A47J 41/00; A47J 43/00; A47J 47/00; A47J 47/02; A47J 47/08; A47G 19/2205; A47G 23/16; A47G 19/2272; A47G 19/2288; A47G 19/23; A45F 3/16; A45F 2200/0583; B65D 1/265; B65D 3/22; B65D 81/3865; B65D 81/3453
See application file for complete search history.

(56) **References Cited**

U.S. PATENT DOCUMENTS

D346,996 S * 5/1994 Blackburn D12/411
D376,072 S * 12/1996 Joergensen D7/620

D377,439 S * 1/1997 Ayotte D7/620
D379,288 S * 5/1997 Azar D7/620
D404,975 S * 2/1999 Fegan D7/620
D407,952 S * 4/1999 Kendrick D7/620
D453,095 S * 1/2002 Bailey D7/620
D470,726 S * 2/2003 Kautzky D17/22
D470,727 S * 2/2003 Bartley D7/620
D473,760 S * 4/2003 Perez D7/620
D476,860 S * 7/2003 Groendyke D7/620
D497,779 S * 11/2004 Giampavolo D7/620
D517,314 S * 3/2006 Moyer D7/620
D542,602 S * 5/2007 Morford D7/620
D570,162 S * 6/2008 Blais D7/620
D600,067 S * 9/2009 Forsyth D7/398
D600,077 S * 9/2009 Barnes, Jr. D7/620
D607,115 S * 12/2009 Bellamy-Noseworthy D3/229

(Continued)

Primary Examiner — Joseph Kukella
Assistant Examiner — Darryl J Dardenne

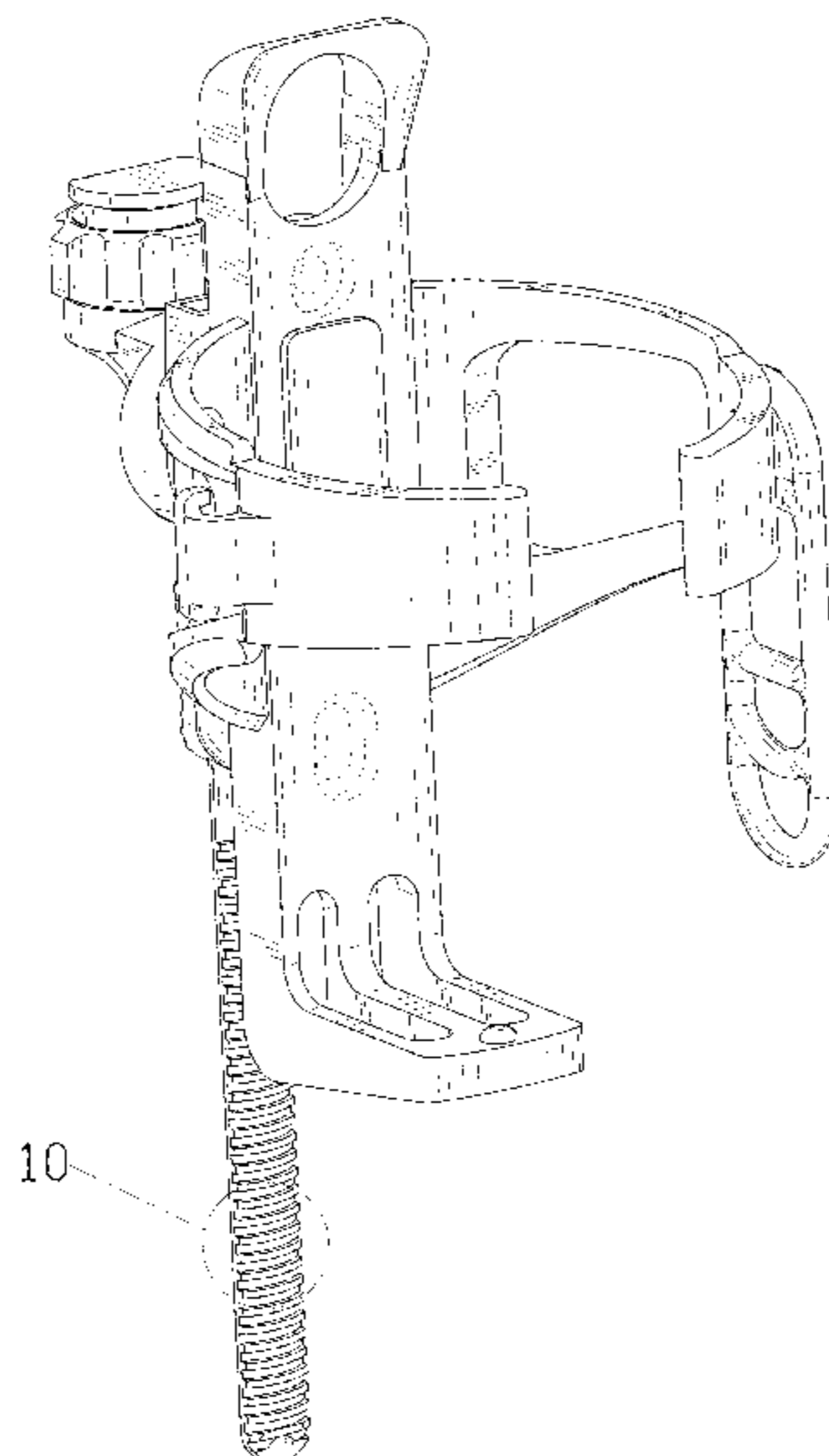
(57) **CLAIM**

The ornamental design for a bottle holder, as shown and described.

DESCRIPTION

FIG. 1 is a perspective view of a bottle holder showing my new design;
FIG. 2 is another perspective view thereof;
FIG. 3 is a front elevational view thereof;
FIG. 4 is a rear elevational view thereof;
FIG. 5 is a left side elevational view thereof;
FIG. 6 is a right side elevational view thereof;
FIG. 7 is a top plan view thereof;
FIG. 8 is a bottom plan view thereof;
FIG. 9 is an exploded perspective view of the bottle holder; and,
FIG. 10 is an enlarged view of portion 10 shown in FIG. 1. The broken lines in the drawings depict portions of the bottle holder that form no part of the claimed design.

1 Claim, 10 Drawing Sheets



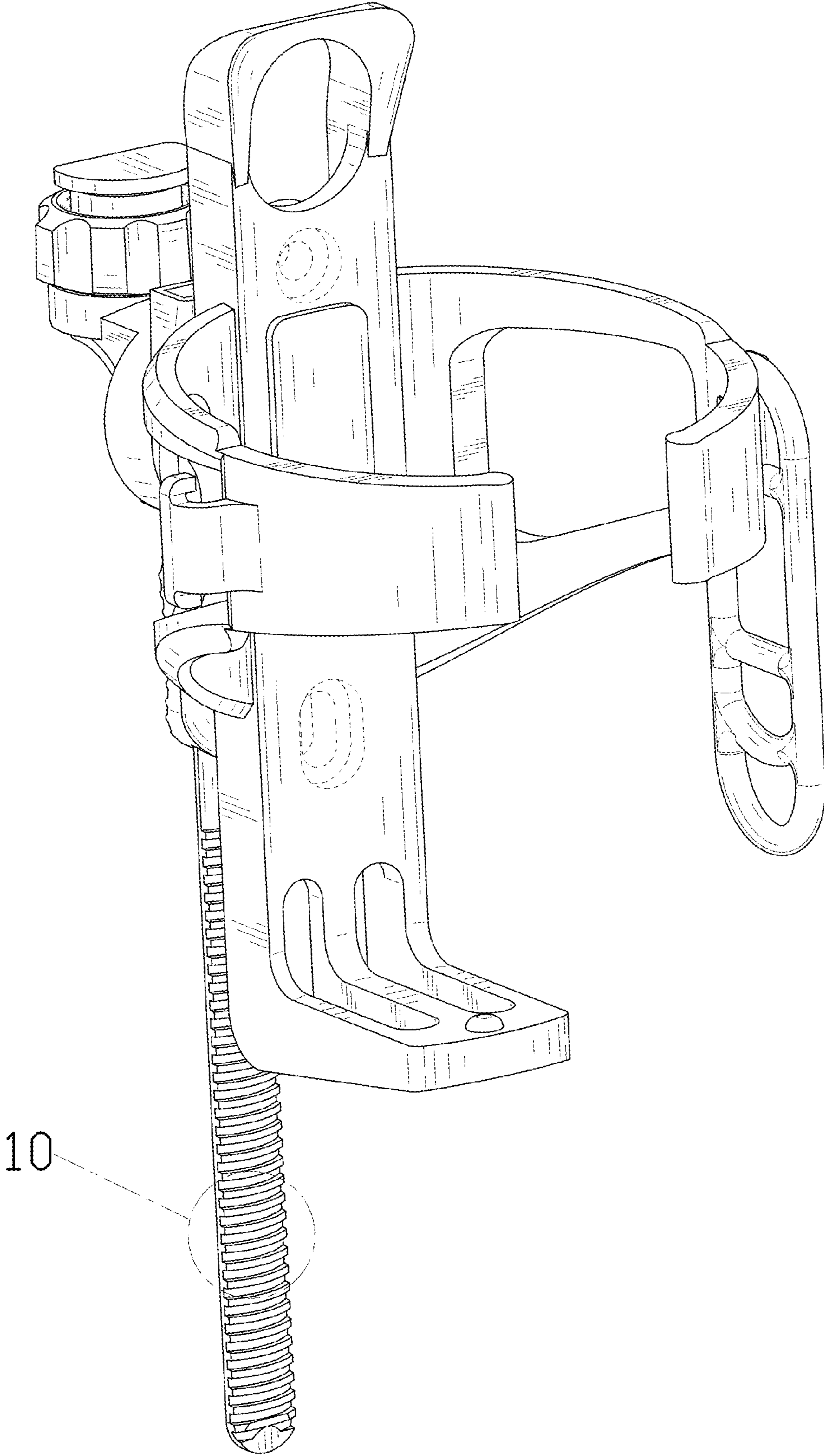
(56)

References Cited

U.S. PATENT DOCUMENTS

D612,691 S * 3/2010 Barnes, Jr. D7/620
D623,118 S * 9/2010 Lindloff D12/411
D625,150 S * 10/2010 Ciarrocchi, Jr. ... B65D 81/3205
D7/600.1
D754,001 S * 4/2016 Barrier D9/434
D775,058 S * 12/2016 Overman D12/411
D792,104 S 7/2017 Candell
D841,309 S * 2/2019 Pelletier D3/10
D868,547 S * 12/2019 Moore B65D 81/3205
D7/619.1
D891,190 S 7/2020 Pierce

* cited by examiner



10

FIG. 1

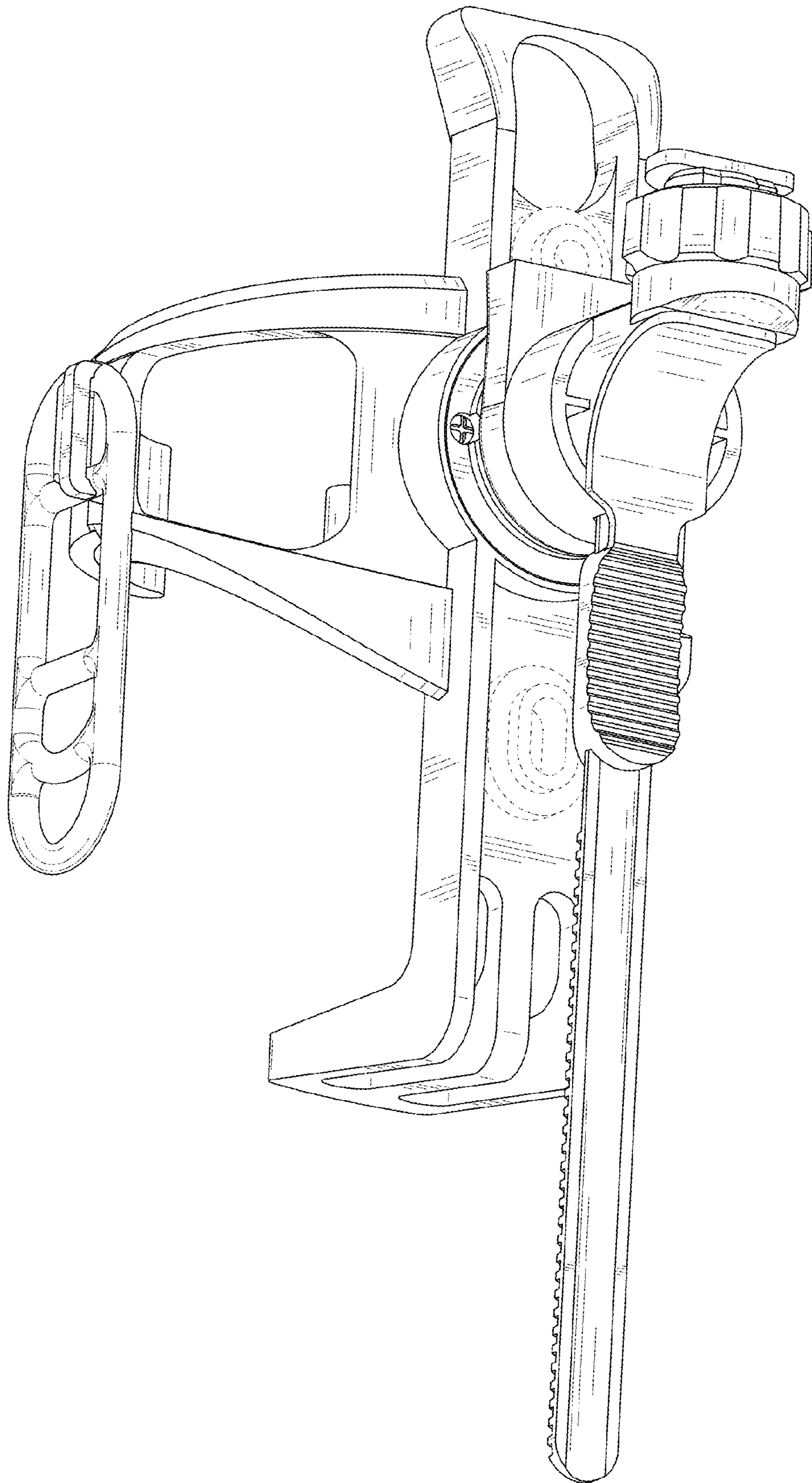


FIG. 2

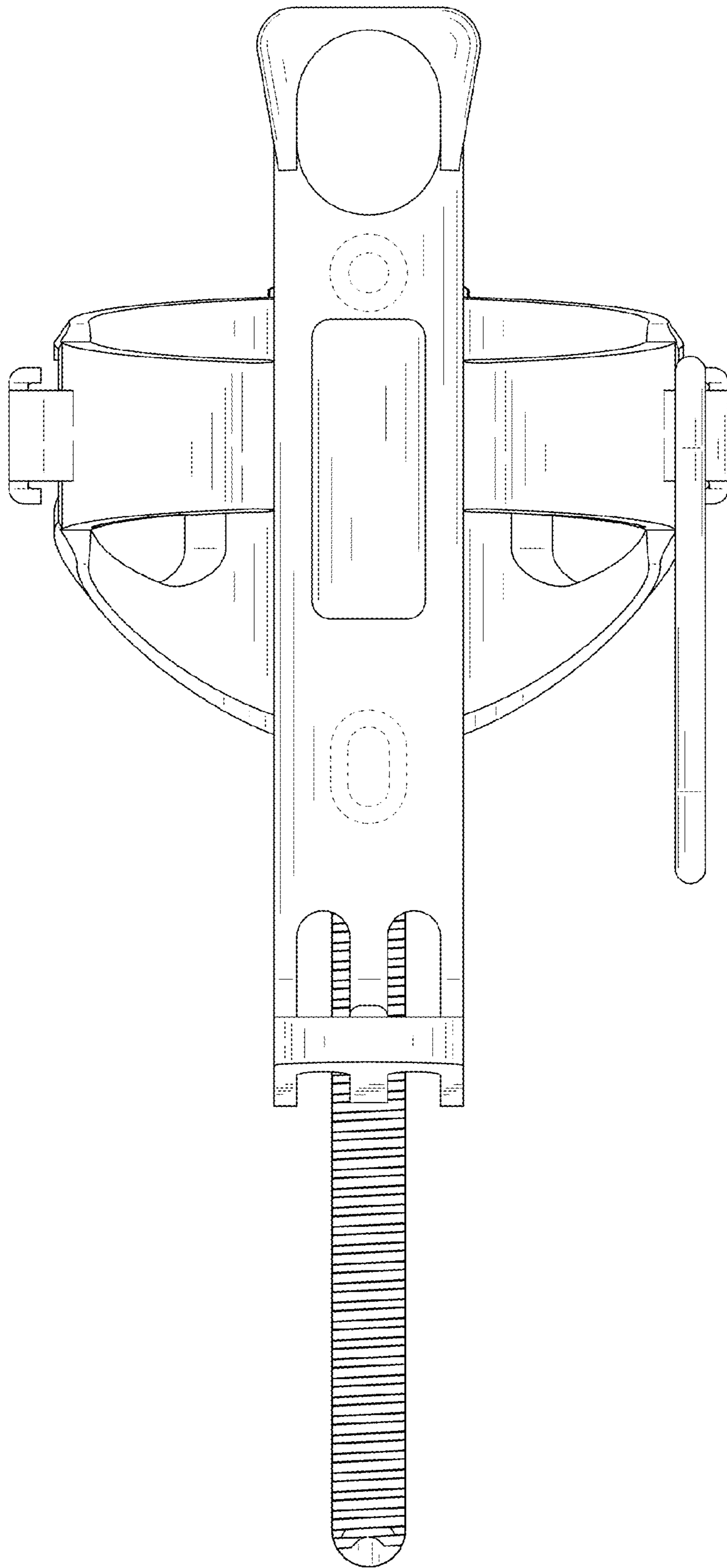


FIG. 3

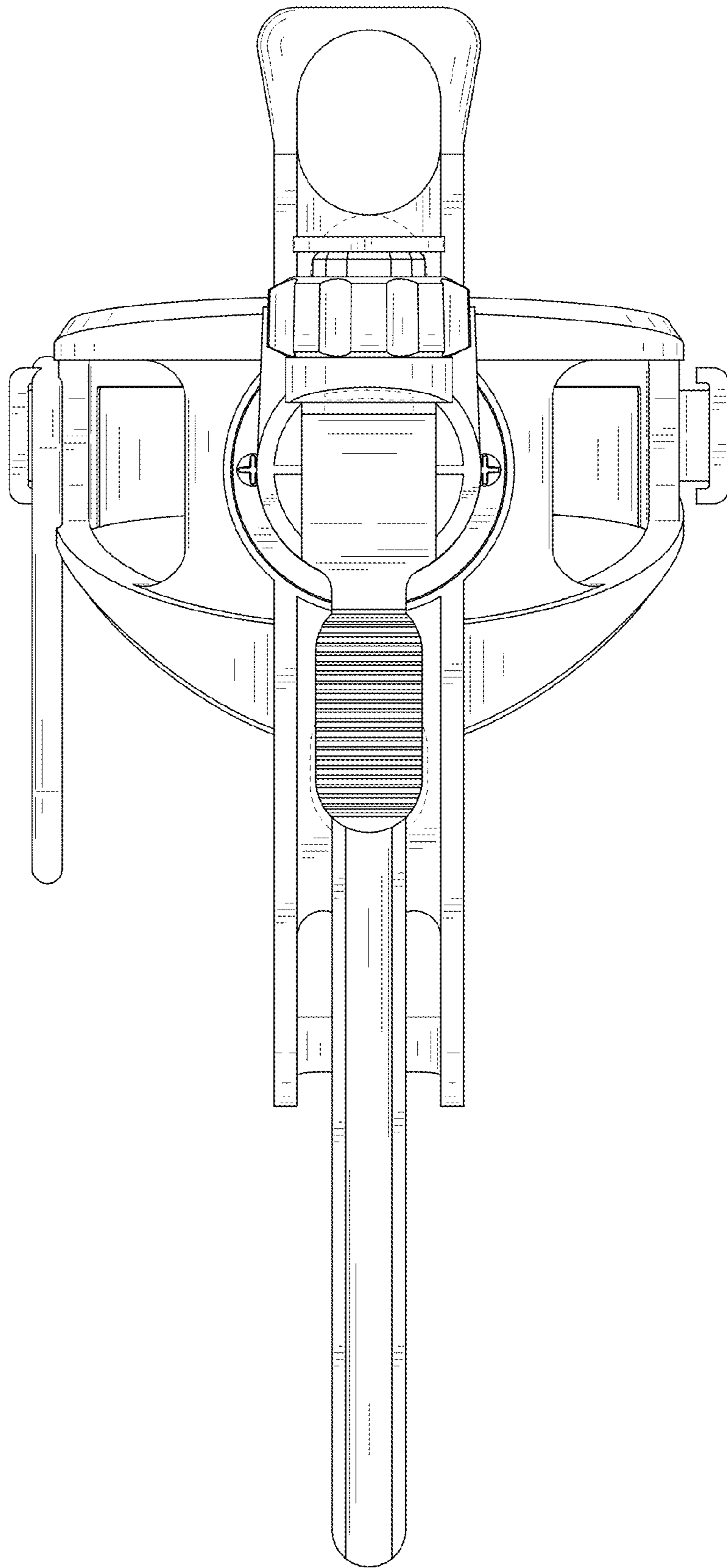


FIG. 4

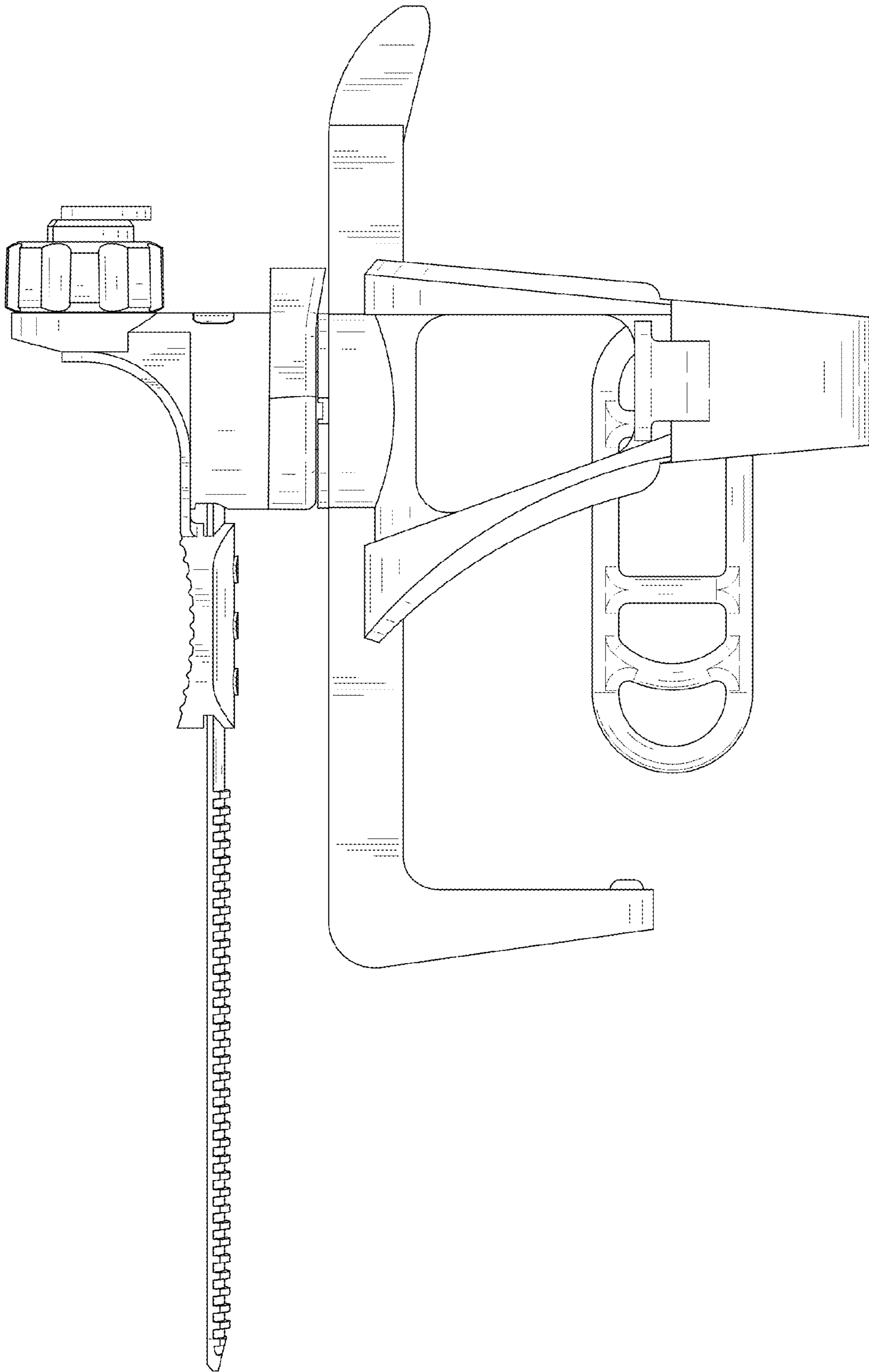


FIG. 5

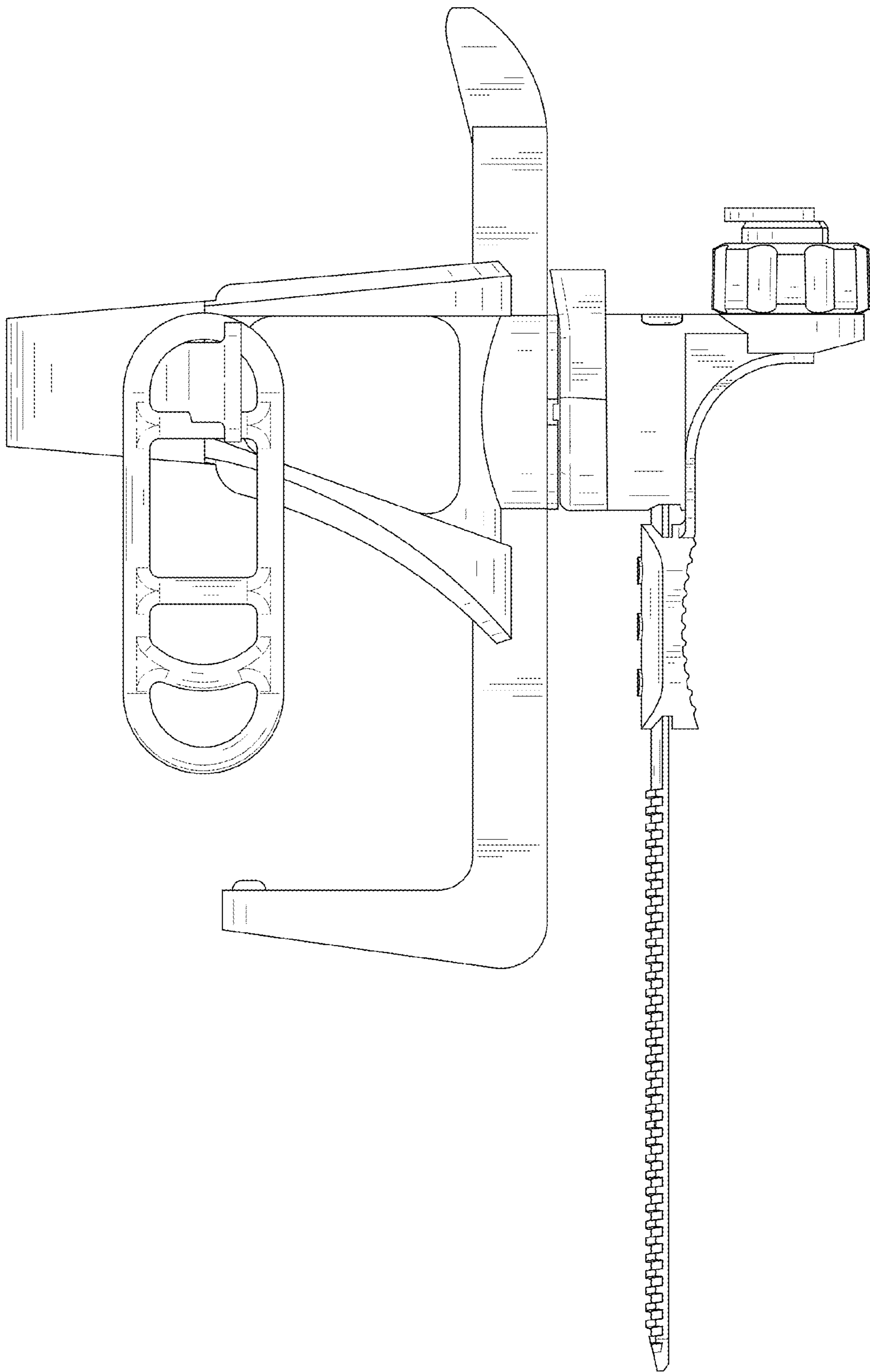


FIG. 6

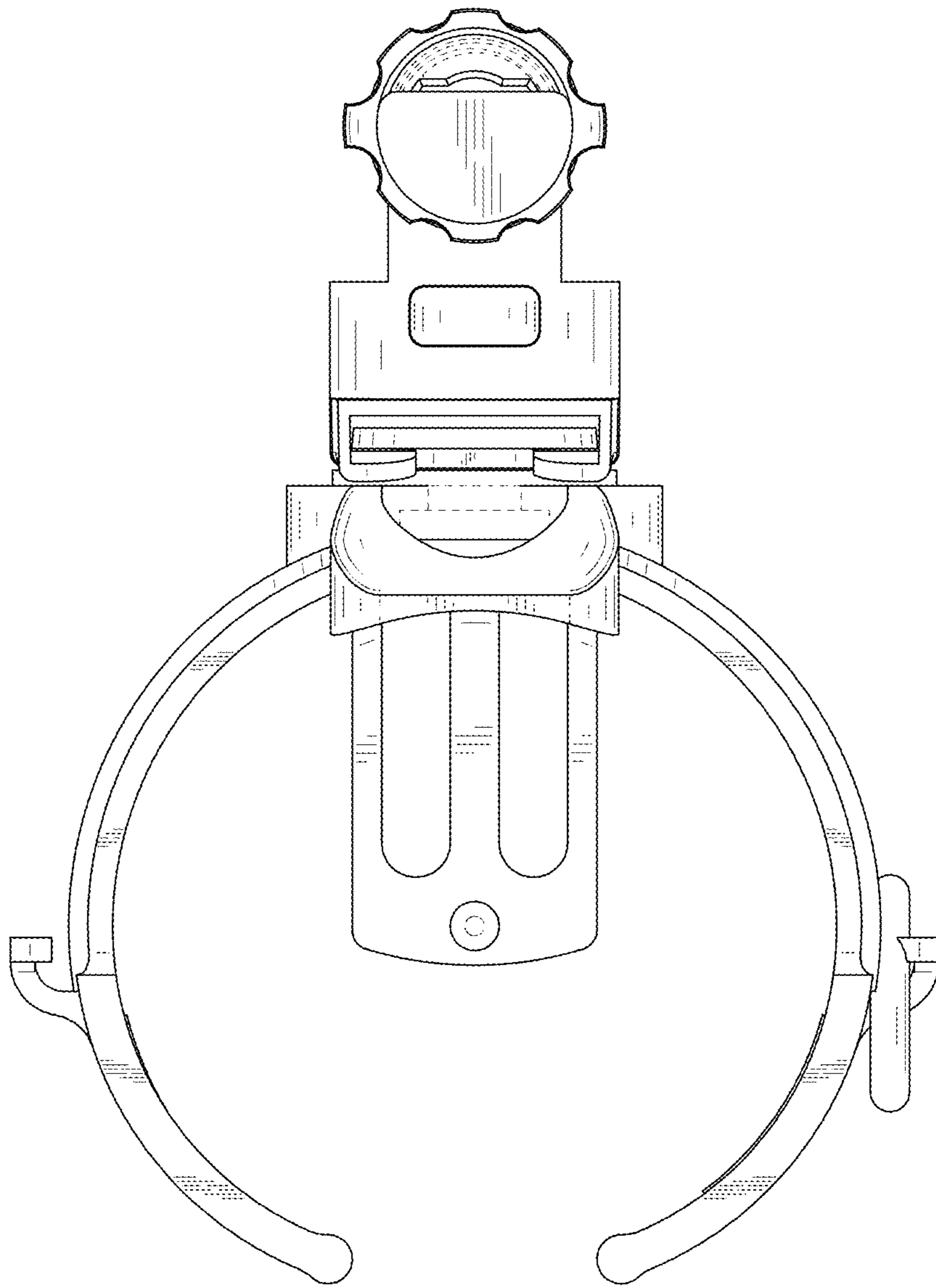


FIG. 7

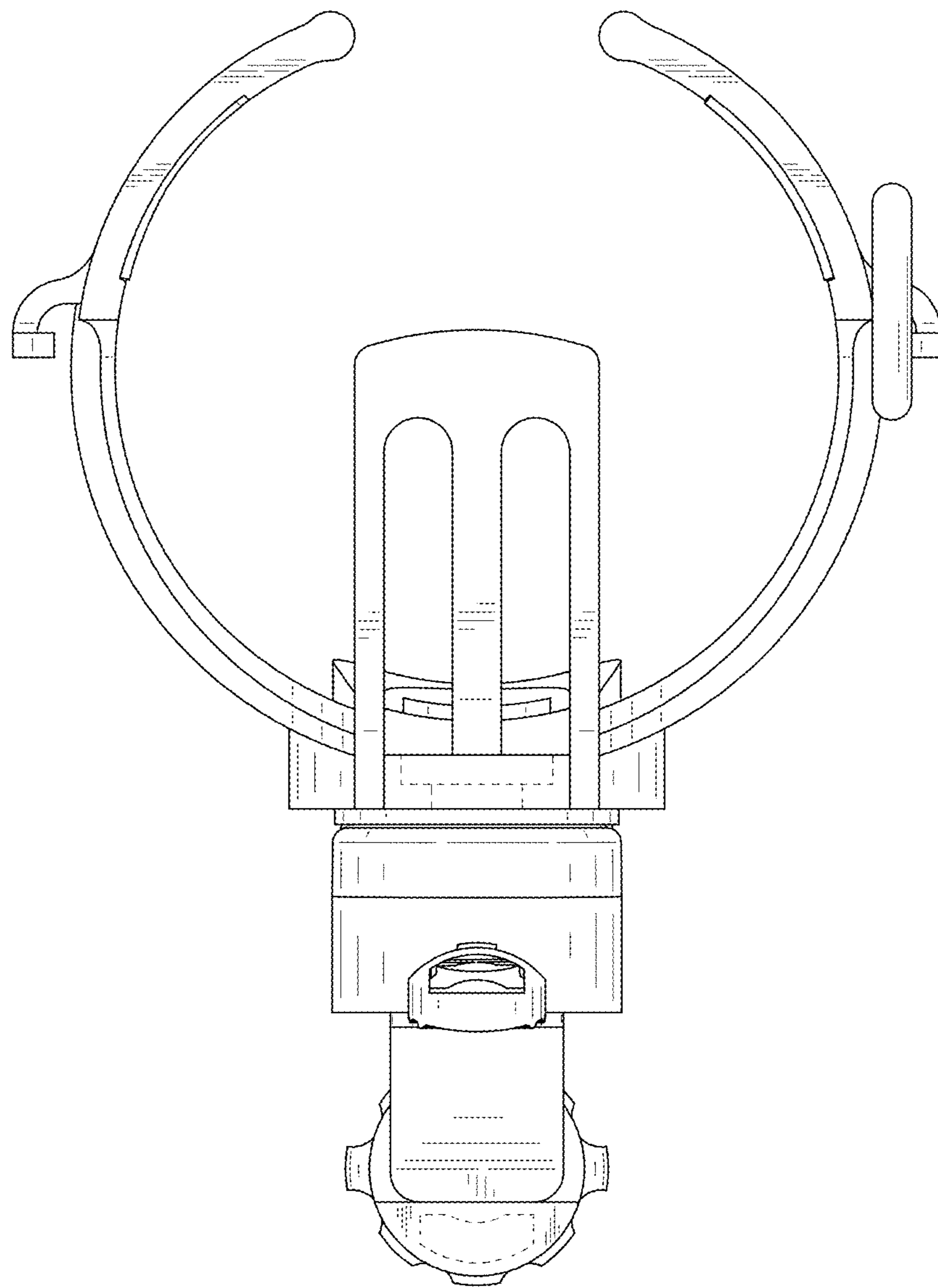


FIG. 8

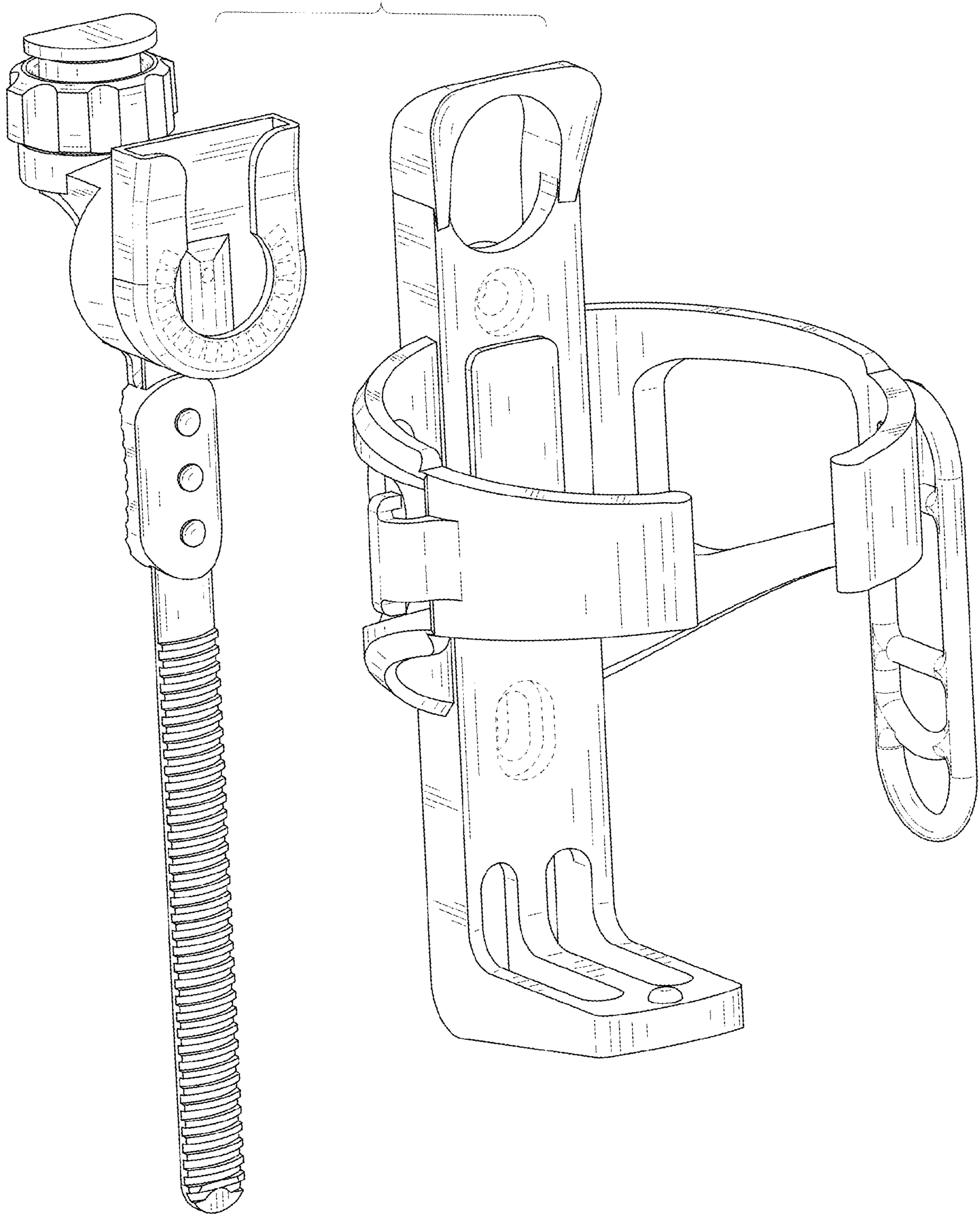


FIG. 9

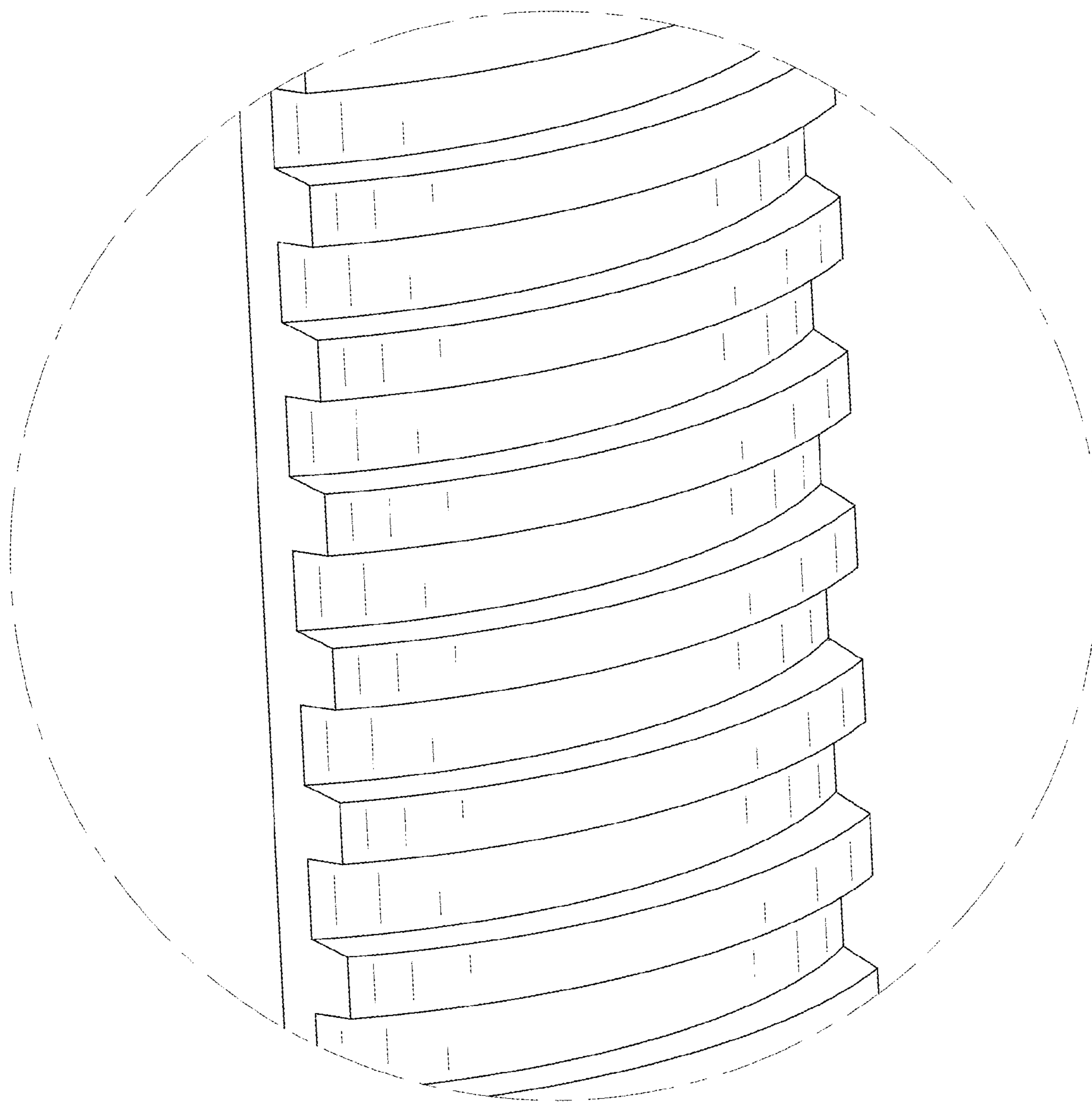


FIG. 10