

US00D949634S

(12) **United States Design Patent** (10) **Patent No.:** **US D949,634 S**
Pisarevsky (45) **Date of Patent:** **** Apr. 26, 2022**

(54) **INSULATING SLEEVE WITH CUP**
(71) Applicant: **Arie Pisarevsky**, Montreal (CA)
(72) Inventor: **Arie Pisarevsky**, Montreal (CA)
(**) Term: **15 Years**

D875,478 S * 2/2020 Bingham A47G 23/0216
D7/608
D878,873 S * 3/2020 Johnson D7/608
2011/0220669 A1 * 9/2011 Besser B65D 81/3874
220/739
2018/0110350 A1 * 4/2018 Bingham A47G 23/0216
2019/0127141 A1 * 5/2019 Roberts A47G 23/02
2021/0302071 A1 * 9/2021 Felty F24V 30/00

(21) Appl. No.: **29/728,864**
(22) Filed: **Mar. 22, 2020**
(51) **LOC (13) Cl.** **07-07**
(52) **U.S. Cl.**
USPC **D7/608**
(58) **Field of Classification Search**
USPC D7/300, 316, 318, 503, 507, 509, 510,
D7/511, 602, 605, 608, 313
CPC .. A47J 41/00; A47J 43/00; A47J 47/00; A47J
47/02; A47J 47/08; A47G 19/2205; A47G
19/2272; A47G 19/2288; A47G 19/23;
A47G 23/16; A45F 3/16; A45F
2200/0583; B65D 1/265; B65D 3/22;
B65D 81/3453; B65D 81/3865
See application file for complete search history.

FOREIGN PATENT DOCUMENTS

CN 306102262 * 10/2020

OTHER PUBLICATIONS

Asobo Insulated Stemless Stainless Steel Sleeve and Wine Glass, Amazon.com, First available date: Feb. 10, 2020. Retrieved from the internet: Oct. 19, 2020<URL:https://www.amazon.com/Insulated-Stemless-Stainless-Sleeve-Silver/dp/B084NJHV5J/ (Year: 2020).*
Asobo Insulated Wine Cooler—STL24, adnart.com. Retrieved from the internet: Oct. 19, 2020<URL:adnart.com/US/product.php?id=535 (Year: 2021).*

* cited by examiner

Primary Examiner — Joseph Kukella
Assistant Examiner — Darryl J Dardenne

(56) **References Cited**

U.S. PATENT DOCUMENTS

3,363,820 A * 1/1968 Schilling B65D 1/265
229/400
3,854,583 A * 12/1974 Amberg B29C 61/025
206/520
6,035,659 A * 3/2000 Fernandez F25D 3/08
62/457.3
D550,034 S * 9/2007 Bodum F25D 3/08
D7/509
D622,553 S * 8/2010 Bollenbacher B29C 61/025
D7/624.2
D672,481 S * 12/2012 Arslanian D26/22
D820,480 S * 6/2018 Kaliroff A47G 23/0216
D26/7
D824,732 S * 8/2018 Hsiao A47G 23/0216
D7/624.2

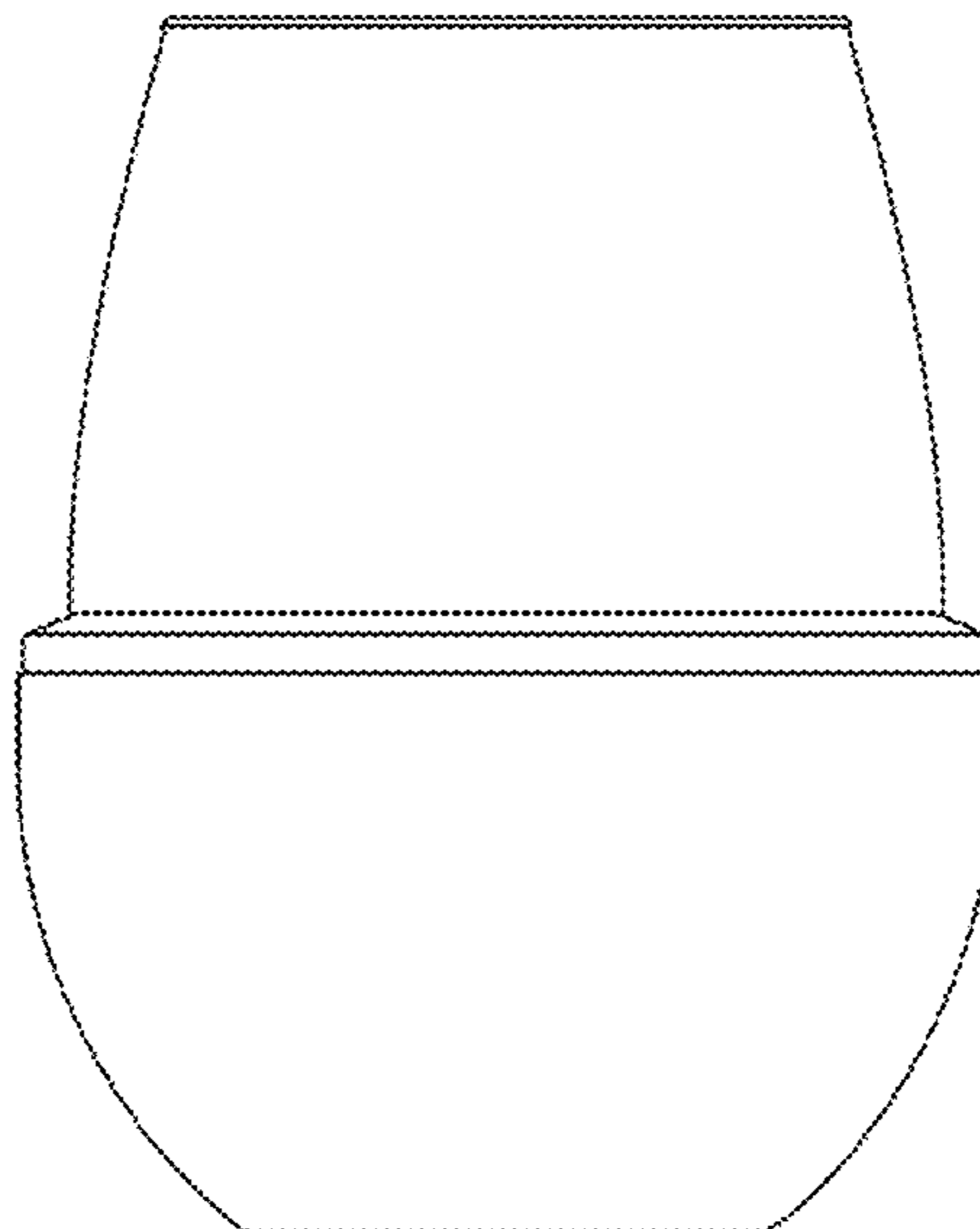
(57) **CLAIM**

The ornamental design for an insulating sleeve with cup, as shown and described.

DESCRIPTION

FIG. 1 is a front view of an insulating sleeve with cup showing my new design;
FIG. 2 is a bottom perspective view thereof;
FIG. 3 is an exploded front perspective view thereof;
FIG. 4 is a top view thereof; and,
FIG. 5 is a bottom view thereof.
In the drawings, the broken lines depict portions of the article that form no part of the claimed design.

1 Claim, 5 Drawing Sheets



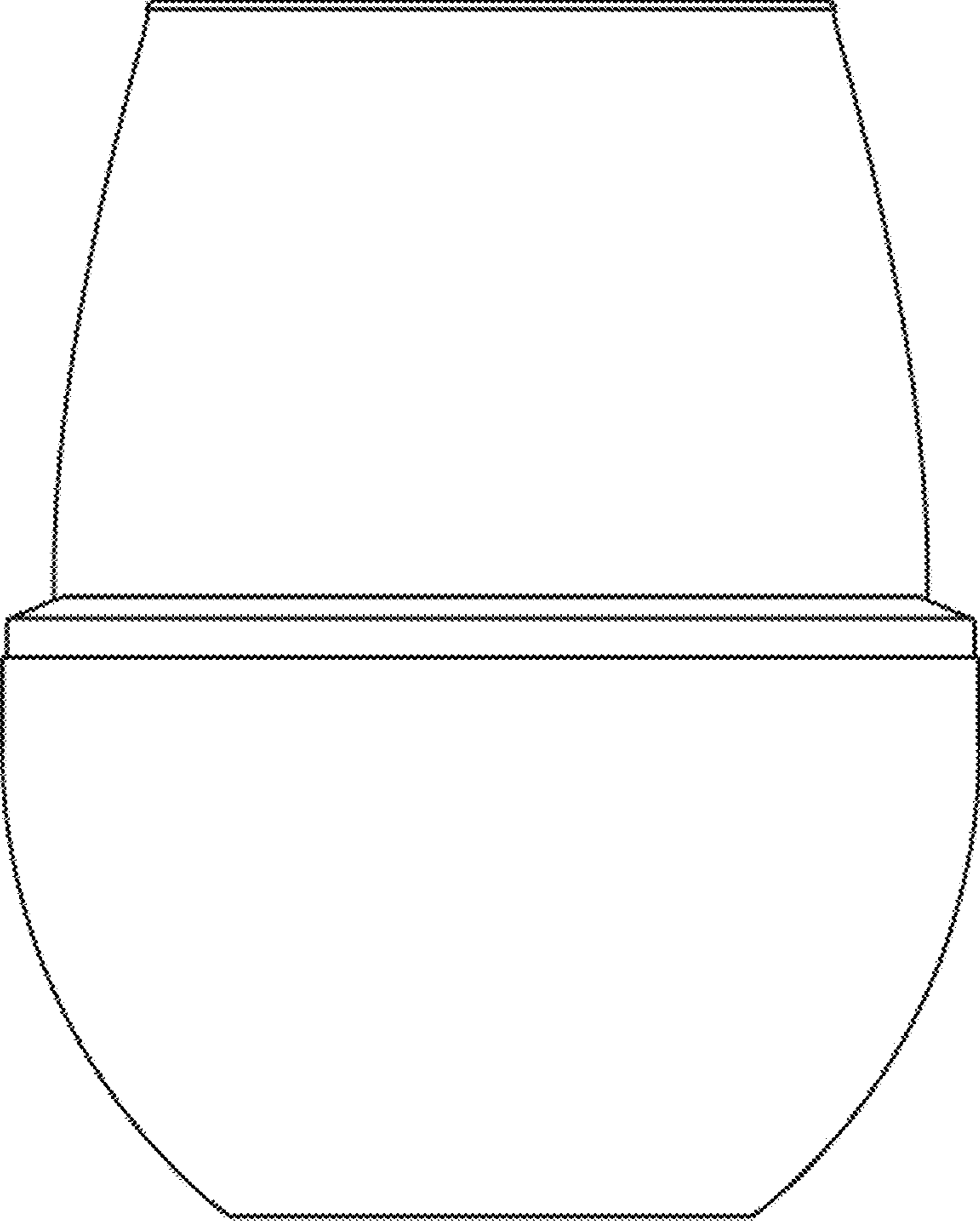


Fig.1

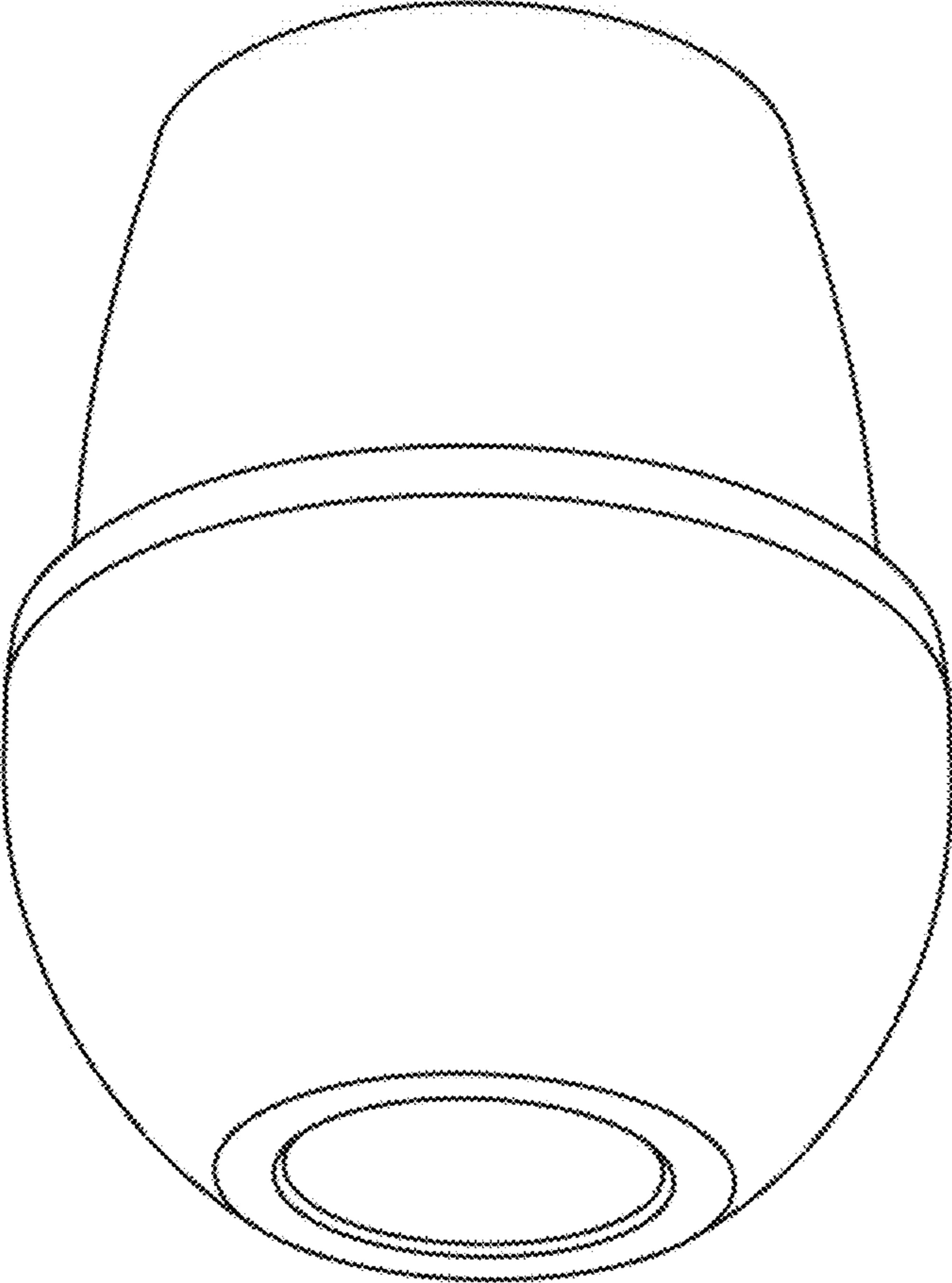


Fig.2



Fig.3

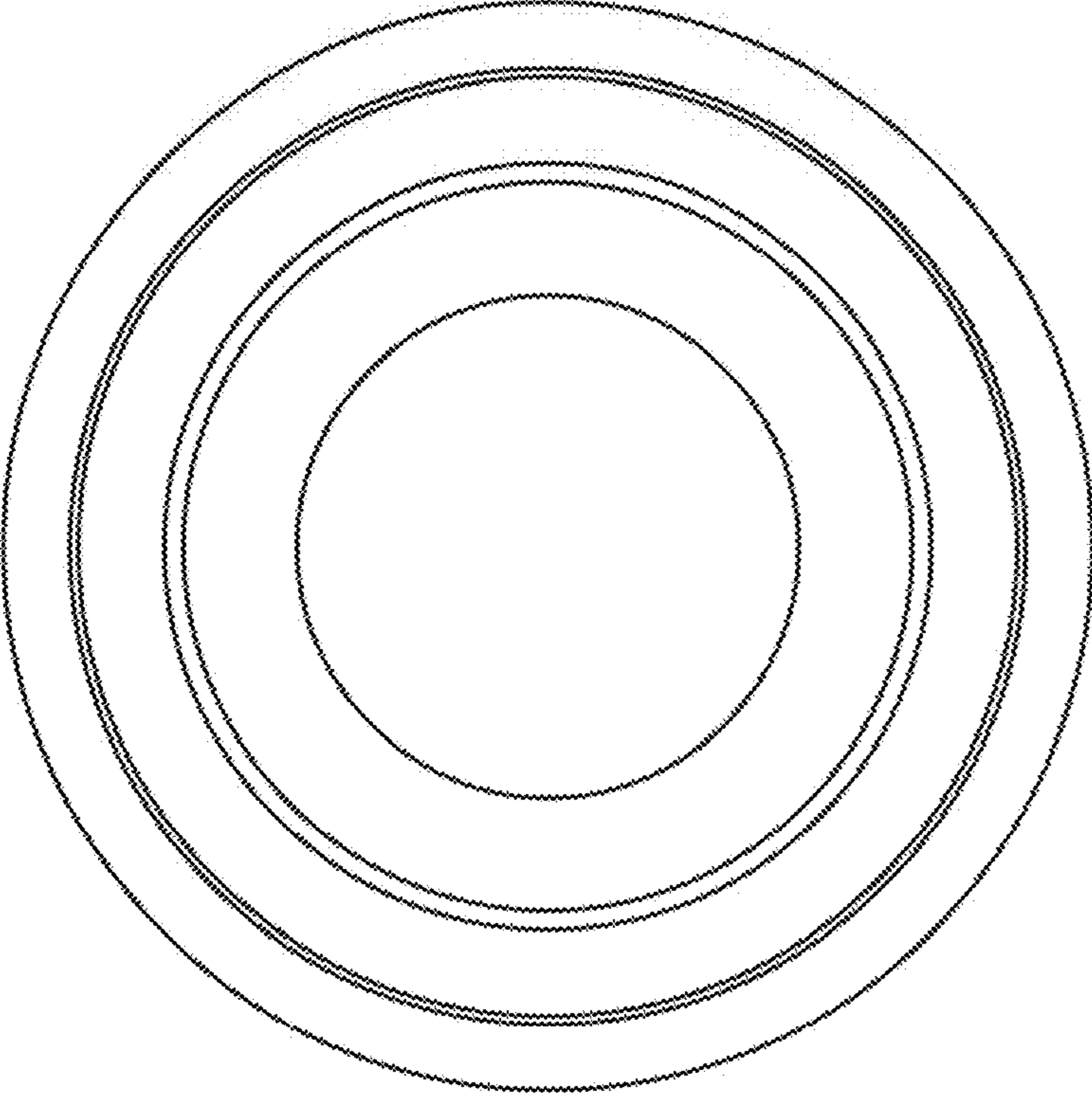


Fig.4

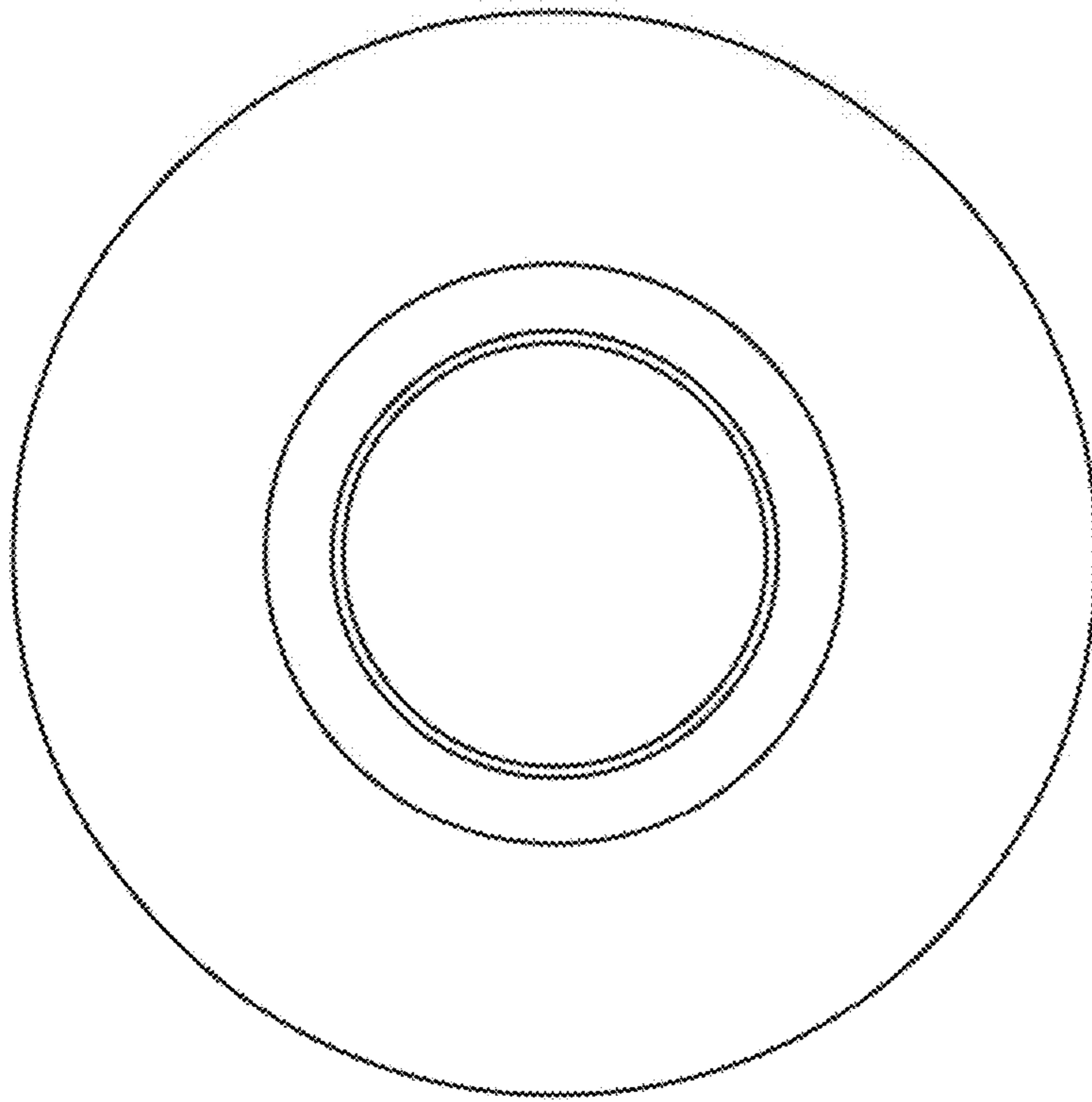


Fig.5