



US00D949632S

(12) **United States Design Patent**  
**Zhu et al.**

(10) **Patent No.:** **US D949,632 S**

(45) **Date of Patent:** **\*\* Apr. 26, 2022**

(54) **ICE BAG**

81/3874; A45C 11/20; A45C 3/00; A45C  
2003/008

(71) Applicant: **Foshan Alpicool Electric Appliance  
Co., LTD**, Foshan (CN)

See application file for complete search history.

(72) Inventors: **Junlong Zhu**, Jieyang (CN); **Jingcheng  
Chen**, Nanning (CN); **Zeyuan Qin**,  
Laibin (CN); **Pizhi Zhao**, Qingyuan  
(CN); **Junjie Qin**, Nanning (CN); **Tao  
Zeng**, Foshan (CN); **Shaohui Chen**,  
Yichun (CN); **Jianglong Shi**, Baoji  
(CN)

(56) **References Cited**

U.S. PATENT DOCUMENTS

D270,804	S	*	10/1983	Caves	.....	D7/605
D295,484	S	*	5/1988	Tarozzi	.....	D7/605
D328,221	S	*	7/1992	Piccarillo	.....	280/47.26
D328,550	S	*	8/1992	Mogil	.....	D7/605
D340,387	S	*	10/1993	Melk	.....	D3/289
D536,580	S		2/2007	Krieger et al.		
D585,704	S		2/2009	Balmas		
D690,999	S		10/2013	Perry, III		
D862,528	S	*	10/2019	Sullivan	.....	D15/79
D899,865	S	*	10/2020	Shi	.....	D7/605
2004/0035143	A1	*	2/2004	Mogil	.....	A45C 7/0077 62/457.2
2004/0074936	A1	*	4/2004	McDonald	.....	A45C 11/20 224/148.5
2016/0101924	A1	*	4/2016	Mitchell	.....	B65D 43/16 220/592.2

(73) Assignee: **Foshan Alpicool Electric Appliance  
Co., LTD**, Foshan (CN)

(\*\*) Term: **15 Years**

(21) Appl. No.: **29/777,197**

(Continued)

(22) Filed: **Apr. 4, 2021**

OTHER PUBLICATIONS

(51) **LOC (13) Cl.** ..... **07-01**

Amazon.com, Soft Cooler Insulated Bag Waterproof Large Leak Proof Zipper Portable Soft Sided Cooler, pa 1-11, ASIN: B08NVG44VW, date first available Nov. 19, 2020. (Year: 2020).\*

(52) **U.S. Cl.**  
USPC ..... **D7/607**

(58) **Field of Classification Search**

USPC ..... D7/605-607, 709, 710; D3/283, 289,  
D3/301, 272-274, 201, 203.1-203.8  
CPC ..... F25D 3/08; F25D 3/02; F25D 3/04; F25D  
3/06; F25D 3/14; F25D 3/107; F25D  
2331/804; F25D 2331/801; B65D 81/38;  
B65D 81/3813; B65D 81/3816; B65D  
81/3818; B65D 81/382; B65D 81/3823;  
B65D 81/3825; B65D 81/3827; B65D  
81/383; B65D 81/3832; B65D 81/3834;  
B65D 81/3848; B65D 81/3851; B65D  
81/3853; B65D 81/3855; B65D 81/3858;  
B65D 81/386; B65D 81/3862; B65D

*Primary Examiner* — Terry A Wallace

(57) **CLAIM**

The ornamental design for an ice bag, as shown and described.

**DESCRIPTION**

FIG. 1 is a perspective view of an ice bag showing my new design;  
FIG. 2 is another perspective view thereof;  
FIG. 3 is a front view thereof;  
FIG. 4 is a back view thereof;  
FIG. 5 is a left side view thereof;  
FIG. 6 is a right side view thereof;

(Continued)

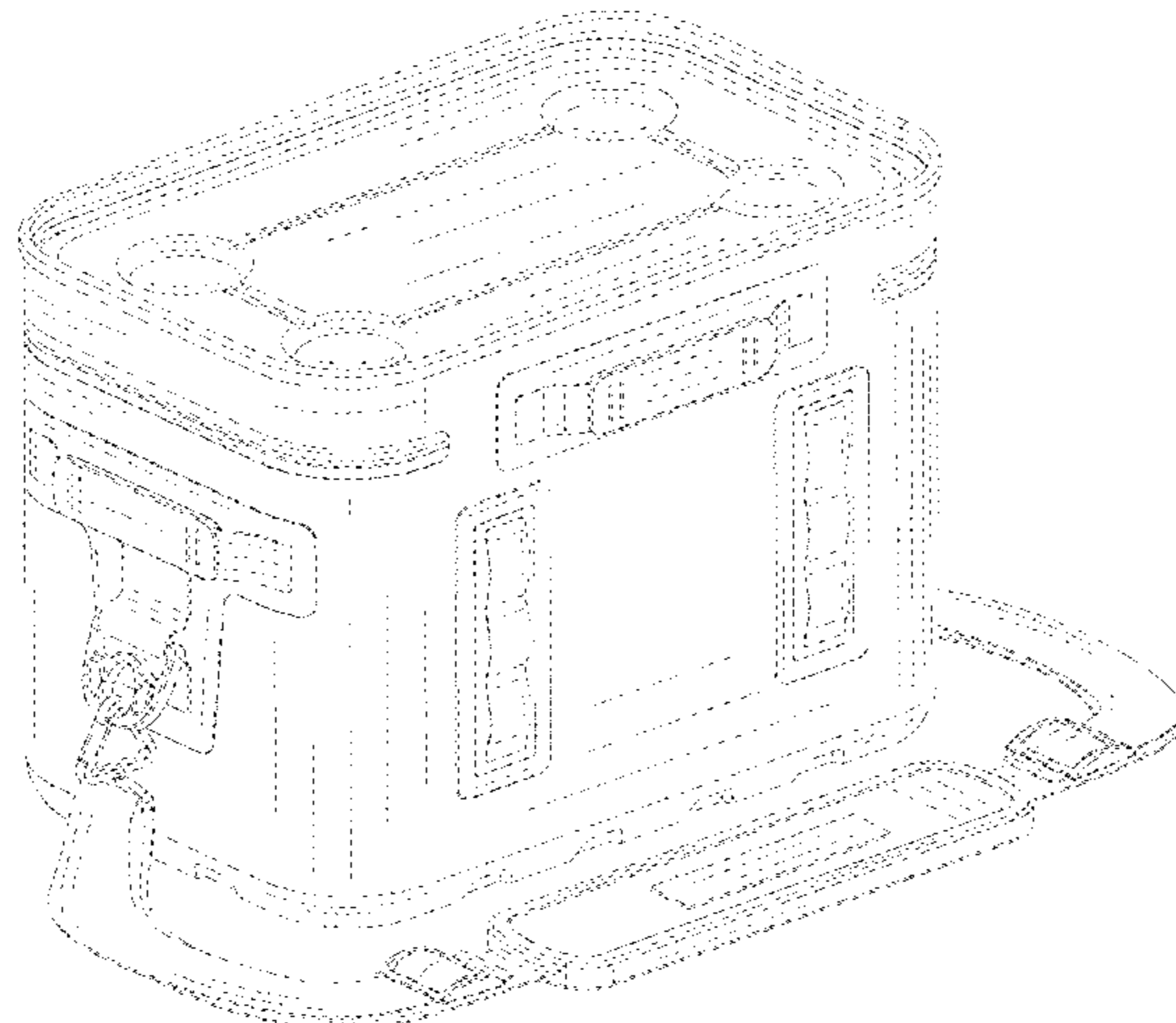


FIG. 7 is a top plan view thereof; and,  
FIG. 8 is a bottom plan view thereof.

**1 Claim, 8 Drawing Sheets**

(56) **References Cited**

U.S. PATENT DOCUMENTS

2019/0170422 A1\* 6/2019 Dexter ..... F25D 31/002

\* cited by examiner

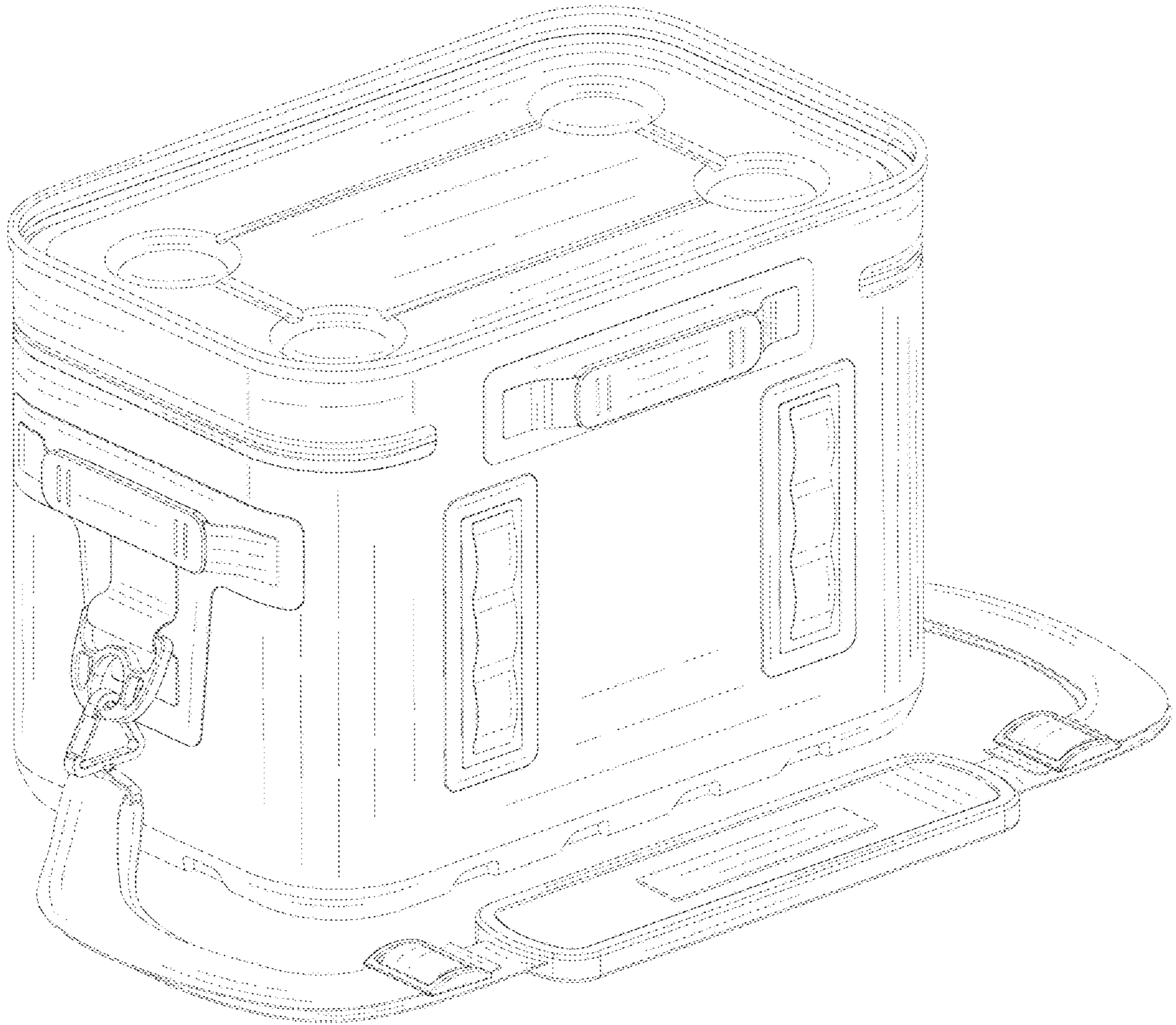


FIG. 1

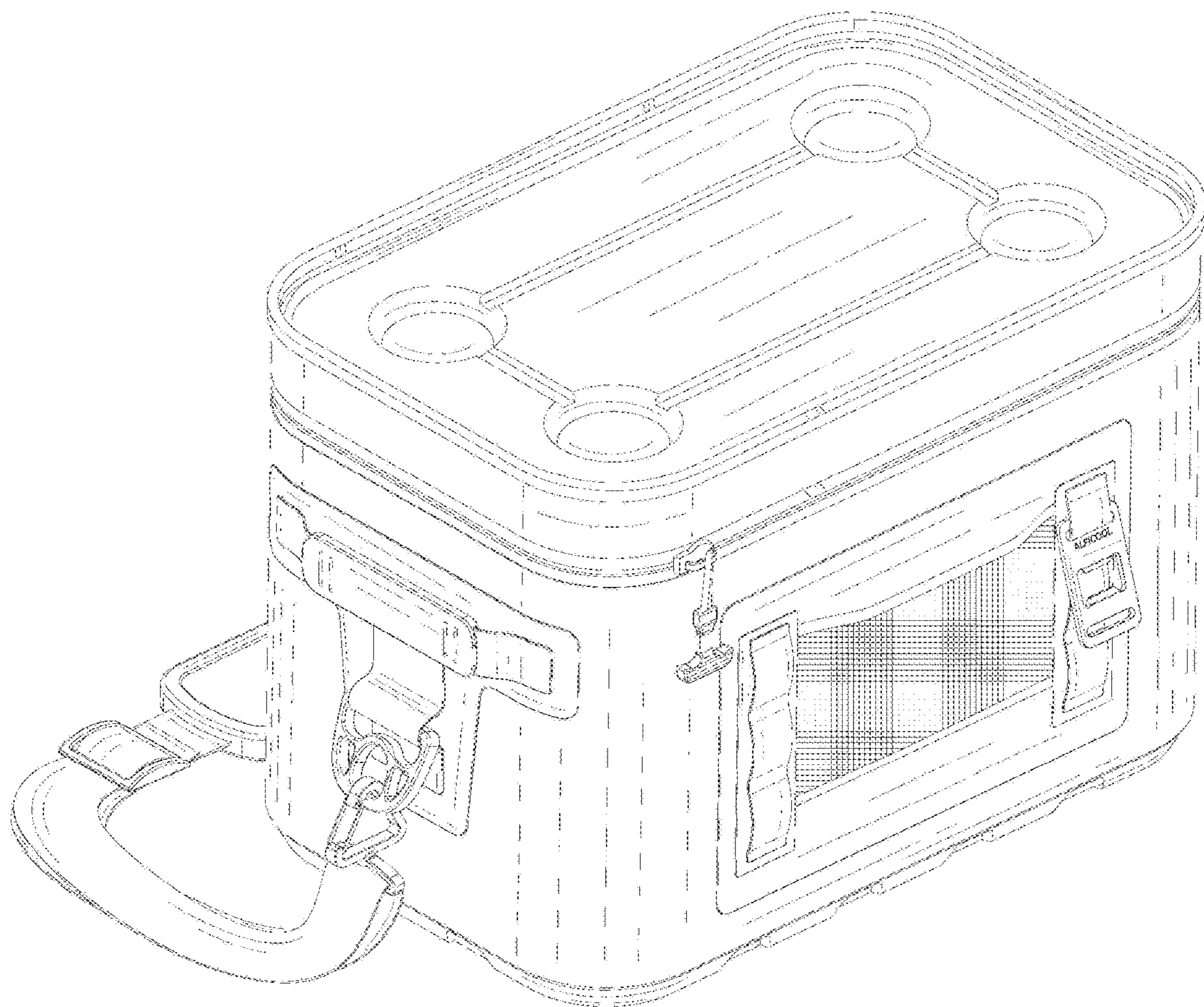


FIG. 2

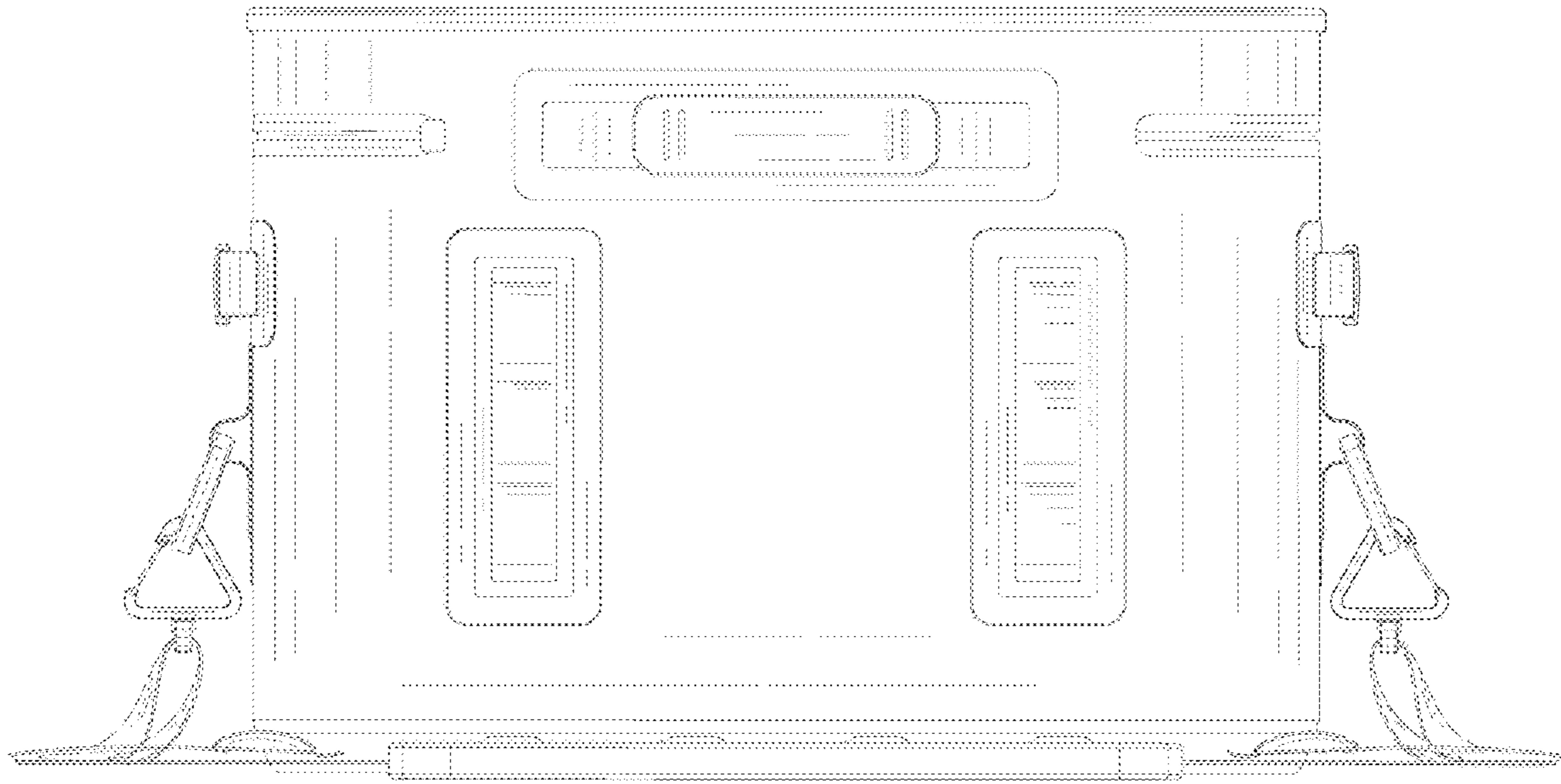


FIG. 3

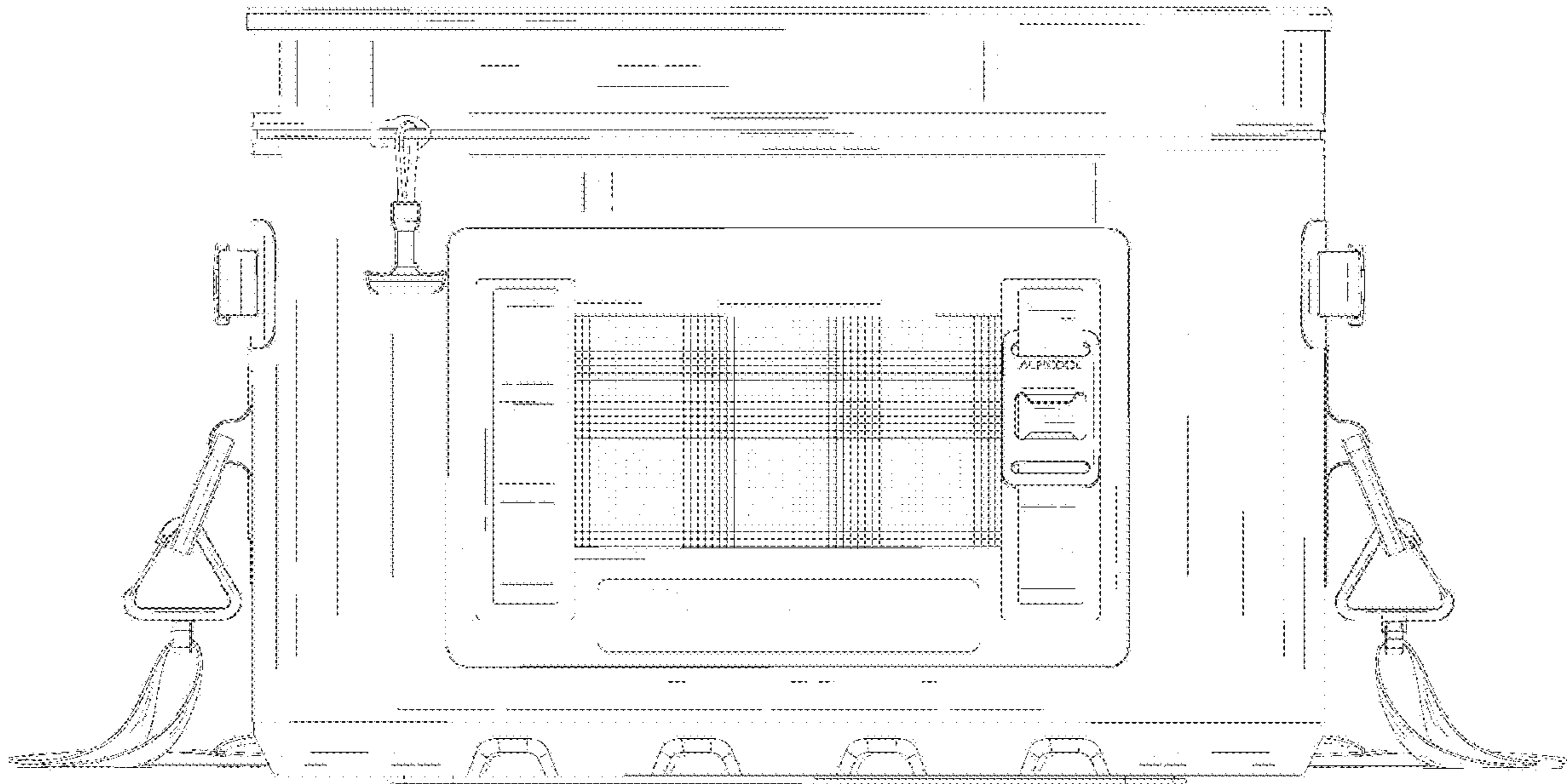


FIG. 4

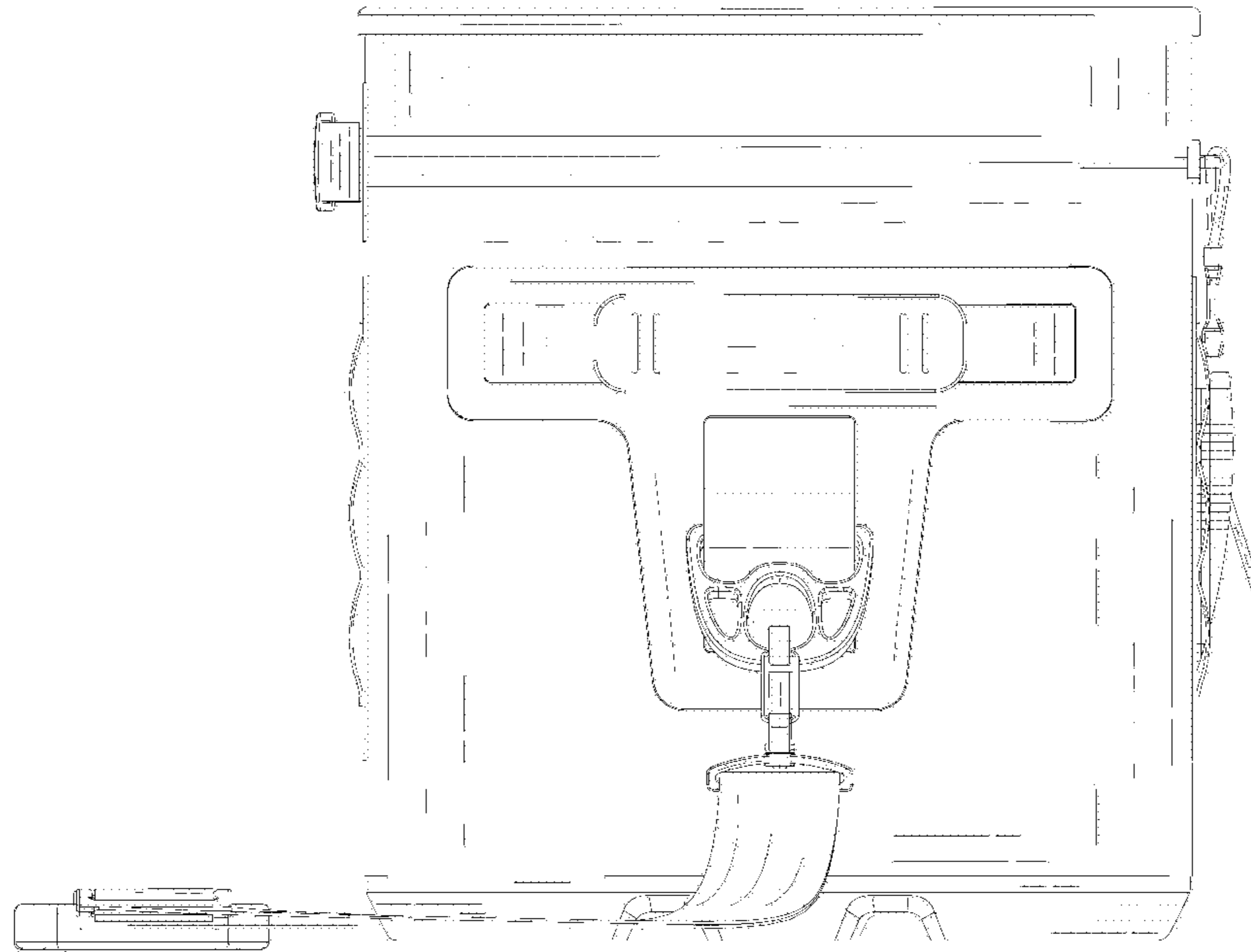


FIG. 5

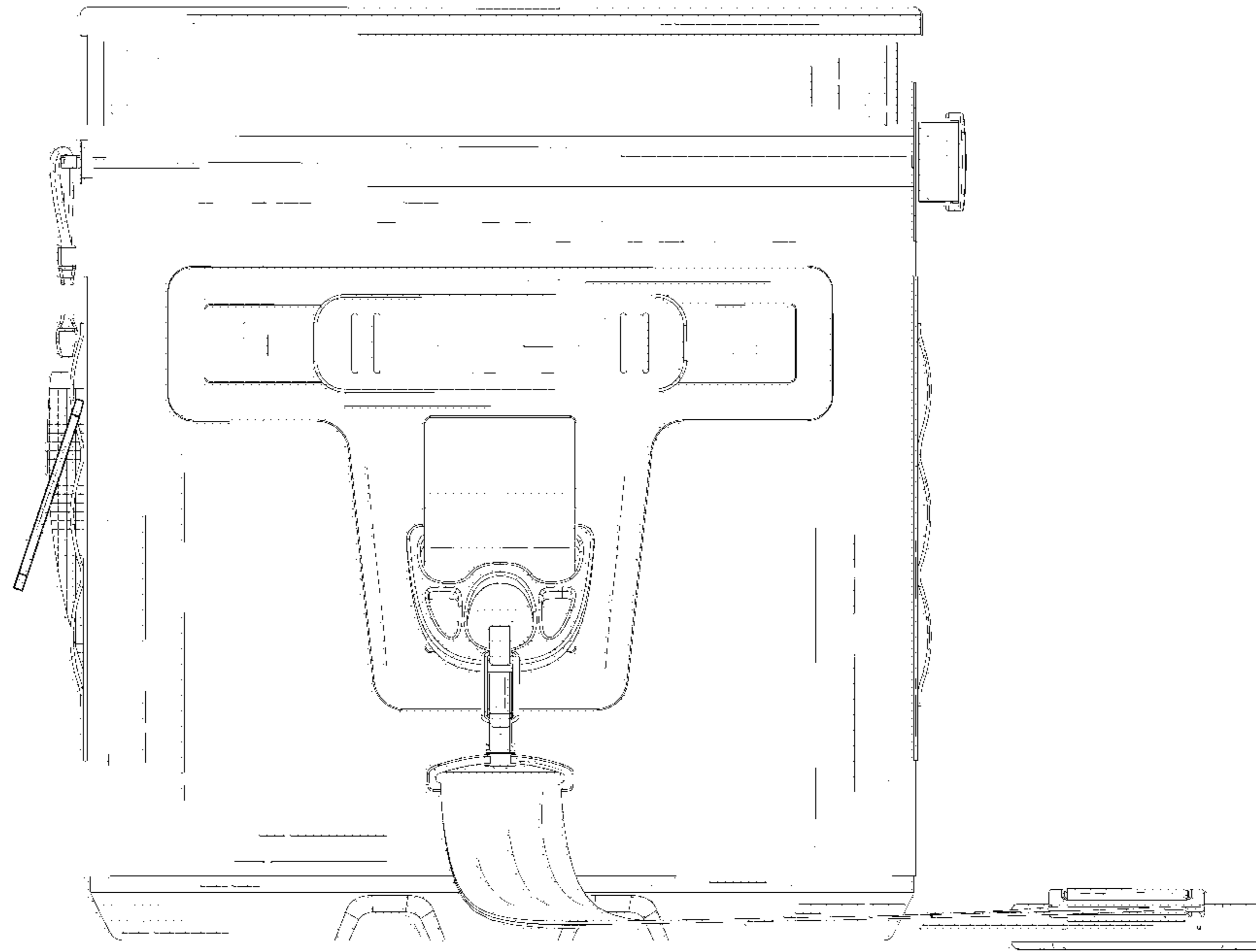


FIG. 6



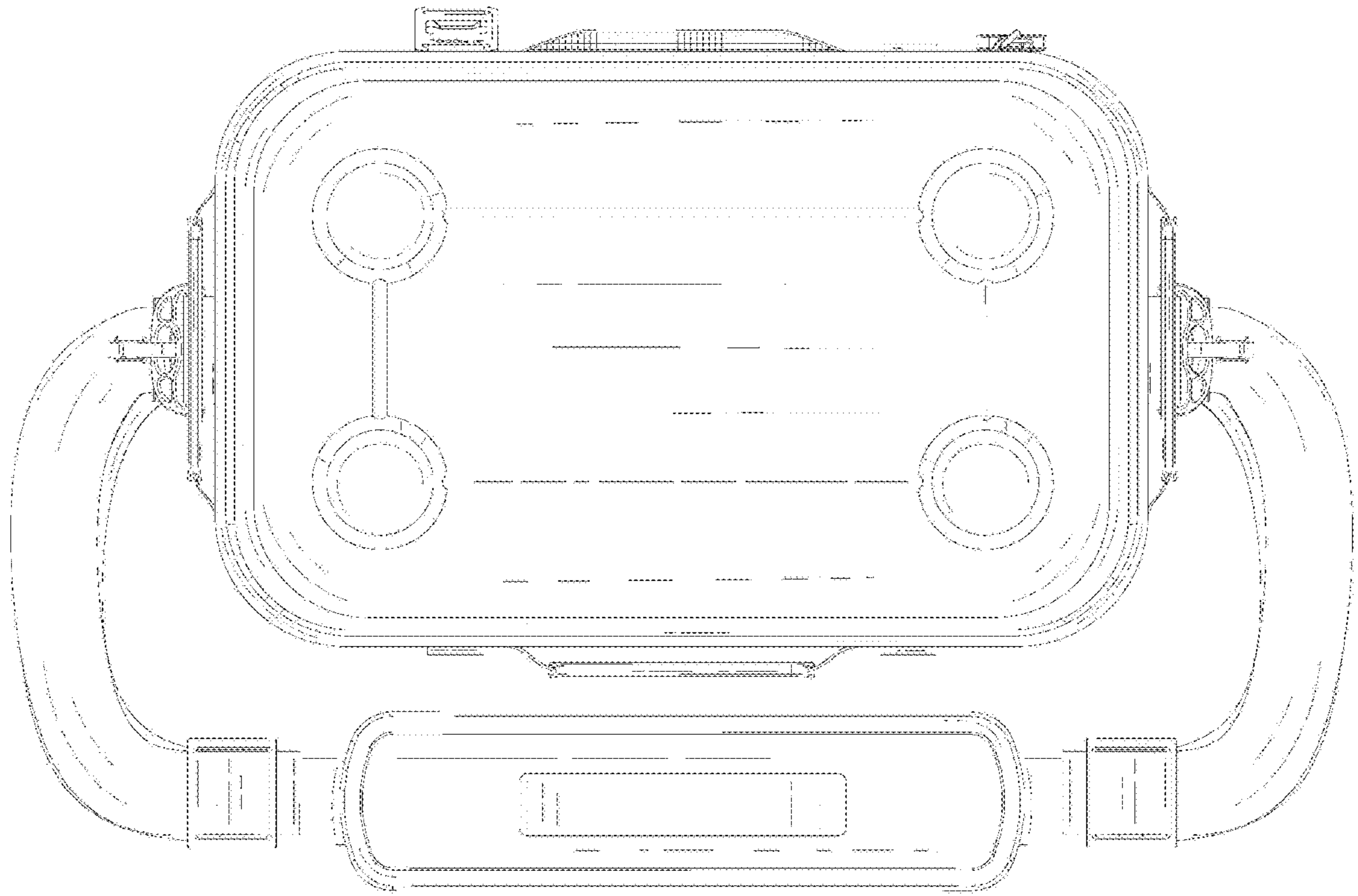


FIG. 7

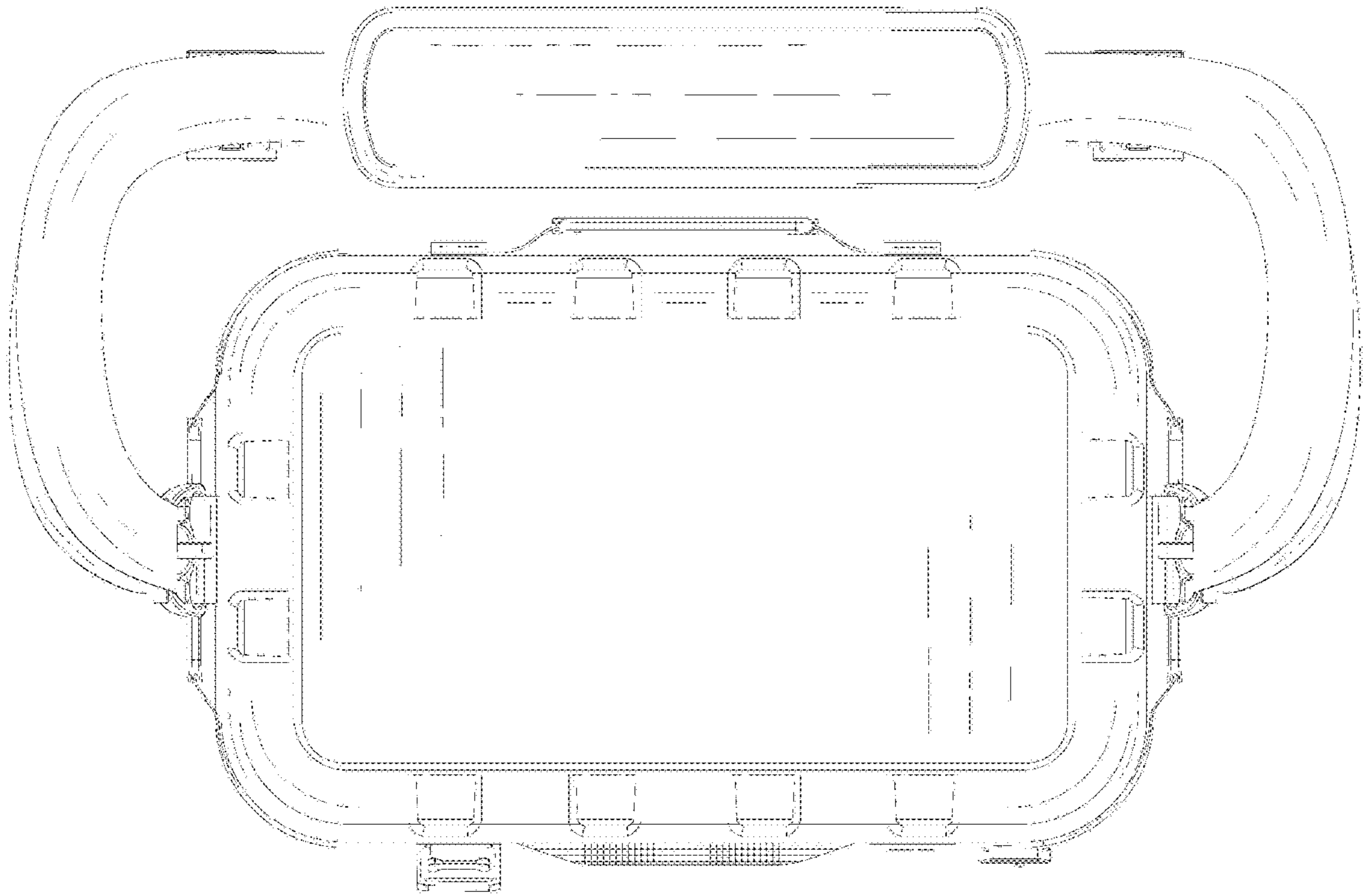


FIG. 8