



US00D949630S

(12) **United States Design Patent**
Lin

(10) **Patent No.:** **US D949,630 S**
(45) **Date of Patent:** **** Apr. 26, 2022**

- (54) **CUP**
- (71) Applicant: **Canhong Lin**, Huizhou (CN)
- (72) Inventor: **Canhong Lin**, Huizhou (CN)
- (**) Term: **15 Years**
- (21) Appl. No.: **29/777,068**
- (22) Filed: **Apr. 2, 2021**
- (51) **LOC (13) Cl.** **07-01**
- (52) **U.S. Cl.**
USPC **D7/510**
- (58) **Field of Classification Search**
USPC D7/510, 543, 536, 534, 511, 507, 518;
220/526
CPC A47G 19/2266
See application file for complete search history.

D767,939	S *	10/2016	Fernandes	D7/518
D790,276	S *	6/2017	Lane	D7/507
D793,167	S	8/2017	Schlegel et al.		
D848,217	S *	5/2019	Wall	D7/534
D872,531	S *	1/2020	Roberts	D7/507
10,799,047	B2 *	10/2020	Lockhart	B65D 43/0202
D932,836	S *	10/2021	Kim	D7/510
D933,423	S *	10/2021	Ames	D7/510
2012/0247998	A1 *	10/2012	Wahl	B65D 77/0486 206/459.5
2015/0265078	A1 *	9/2015	Goosman	A47G 19/2222 220/707

* cited by examiner

Primary Examiner — Cynthia R Underwood
(74) *Attorney, Agent, or Firm* — Runit Ranjit Kanakia

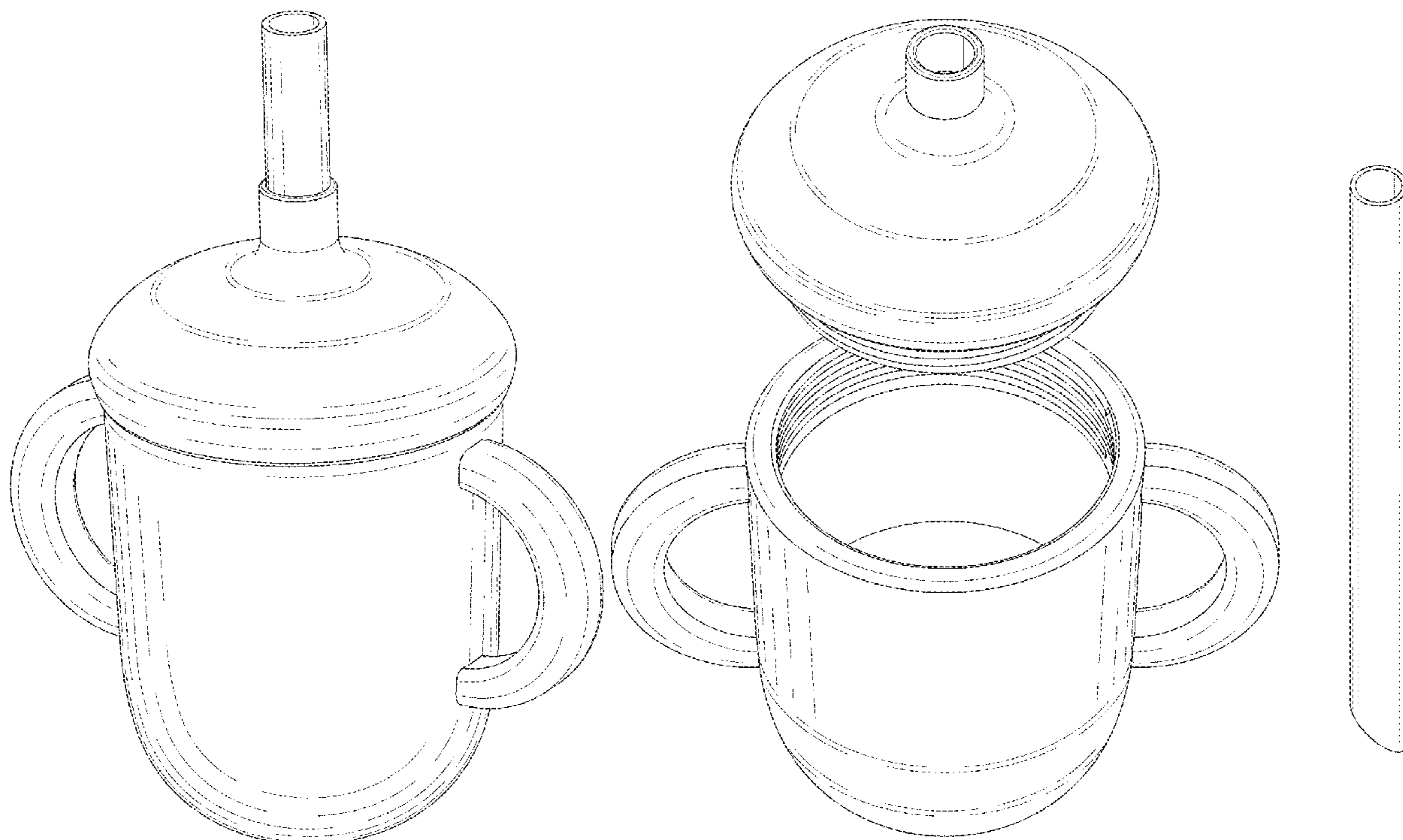
(57) **CLAIM**

I claim the ornamental design for a cup, as shown and described.

DESCRIPTION

FIG. 1 is a Perspective view of a cup showing my new design;
 FIG. 2 is a Front view thereof;
 FIG. 3 is a Back view thereof;
 FIG. 4 is a Right-side view thereof;
 FIG. 5 is a Left-side view thereof;
 FIG. 6 is a Top view thereof;
 FIG. 7 is a Bottom view thereof;
 FIG. 8 is a Perspective view of a cup showing in open position; and,
 FIG. 9 is a Bottom Perspective view of a cup showing in open position.

1 Claim, 9 Drawing Sheets



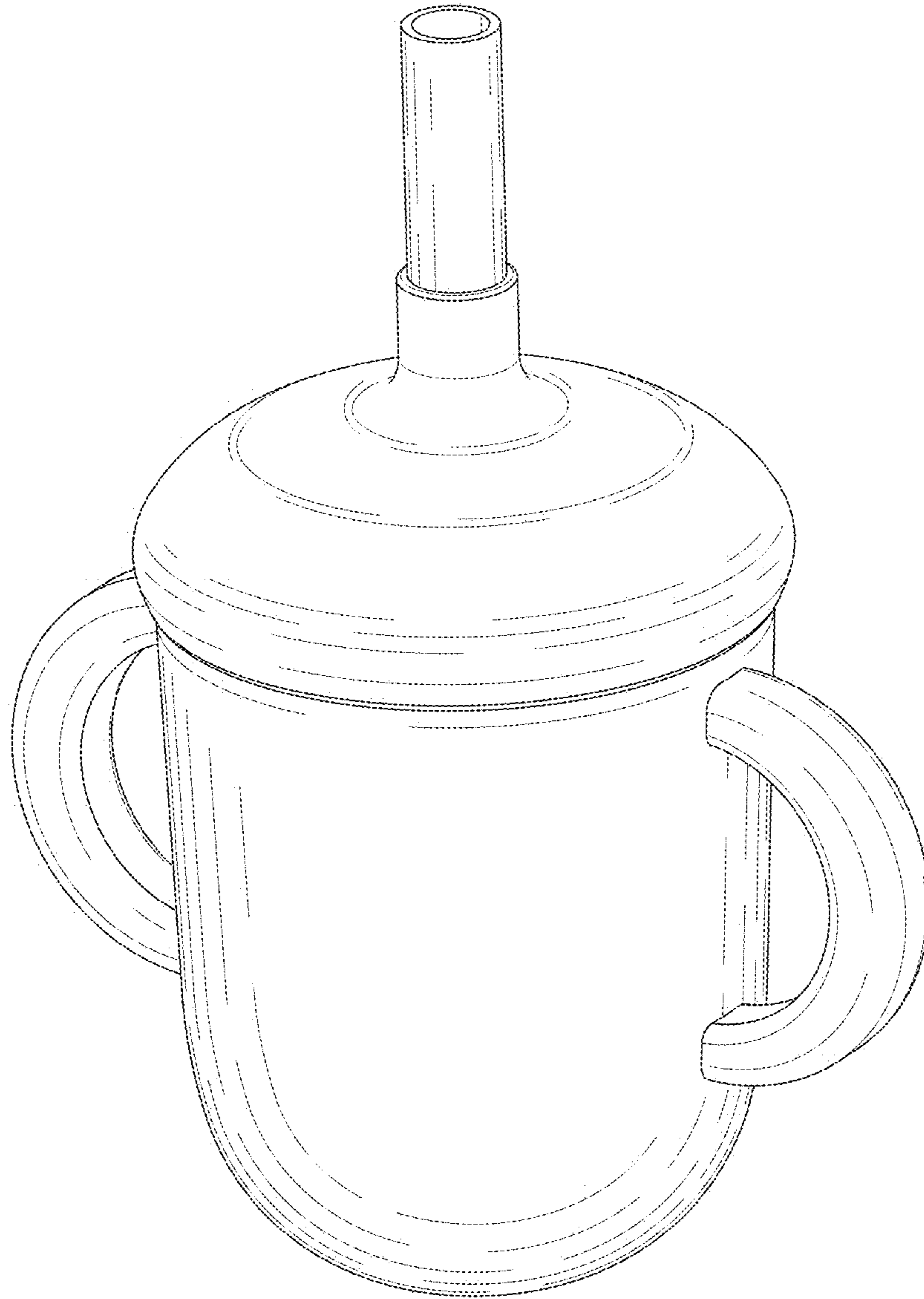


FIG. 1

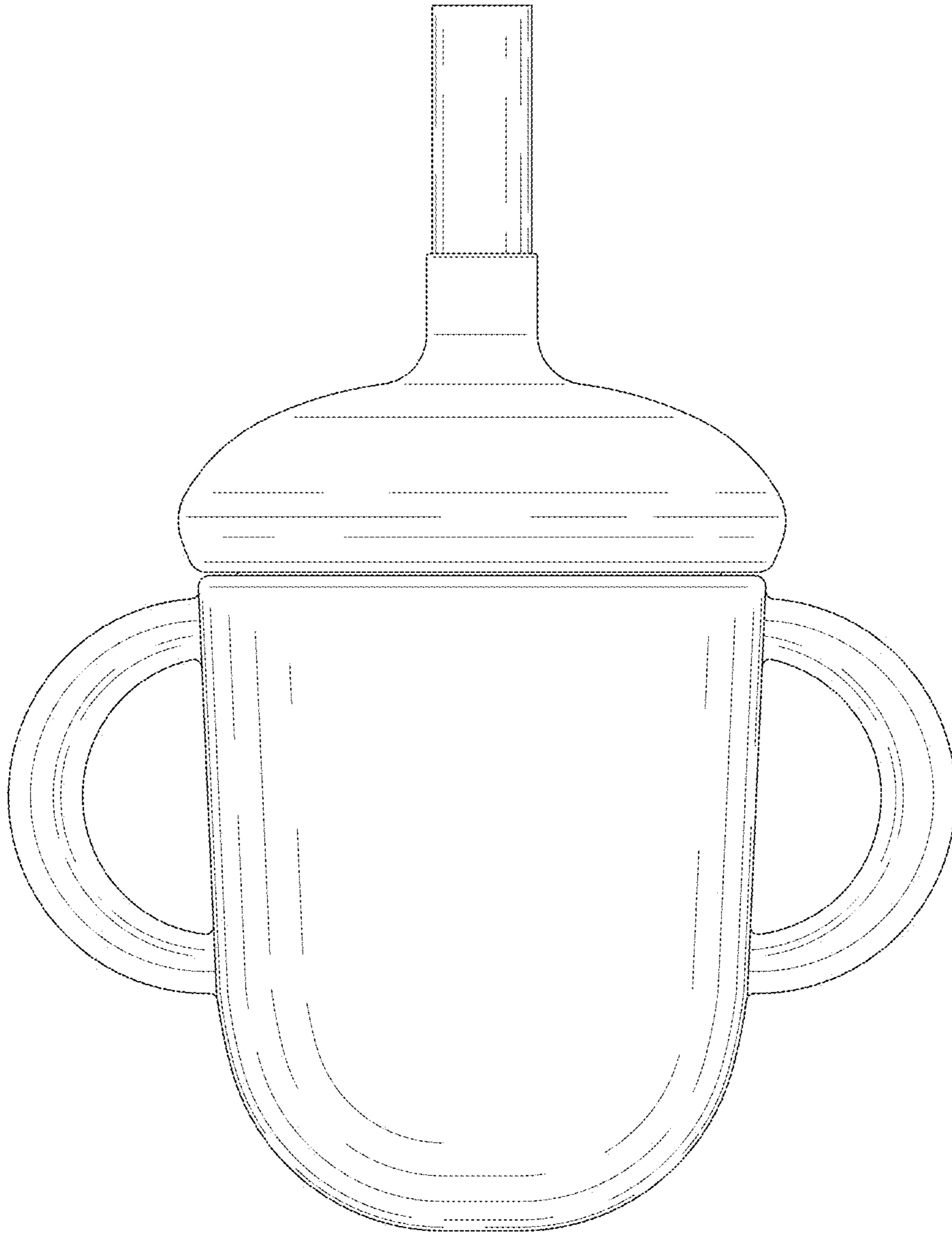


FIG. 2

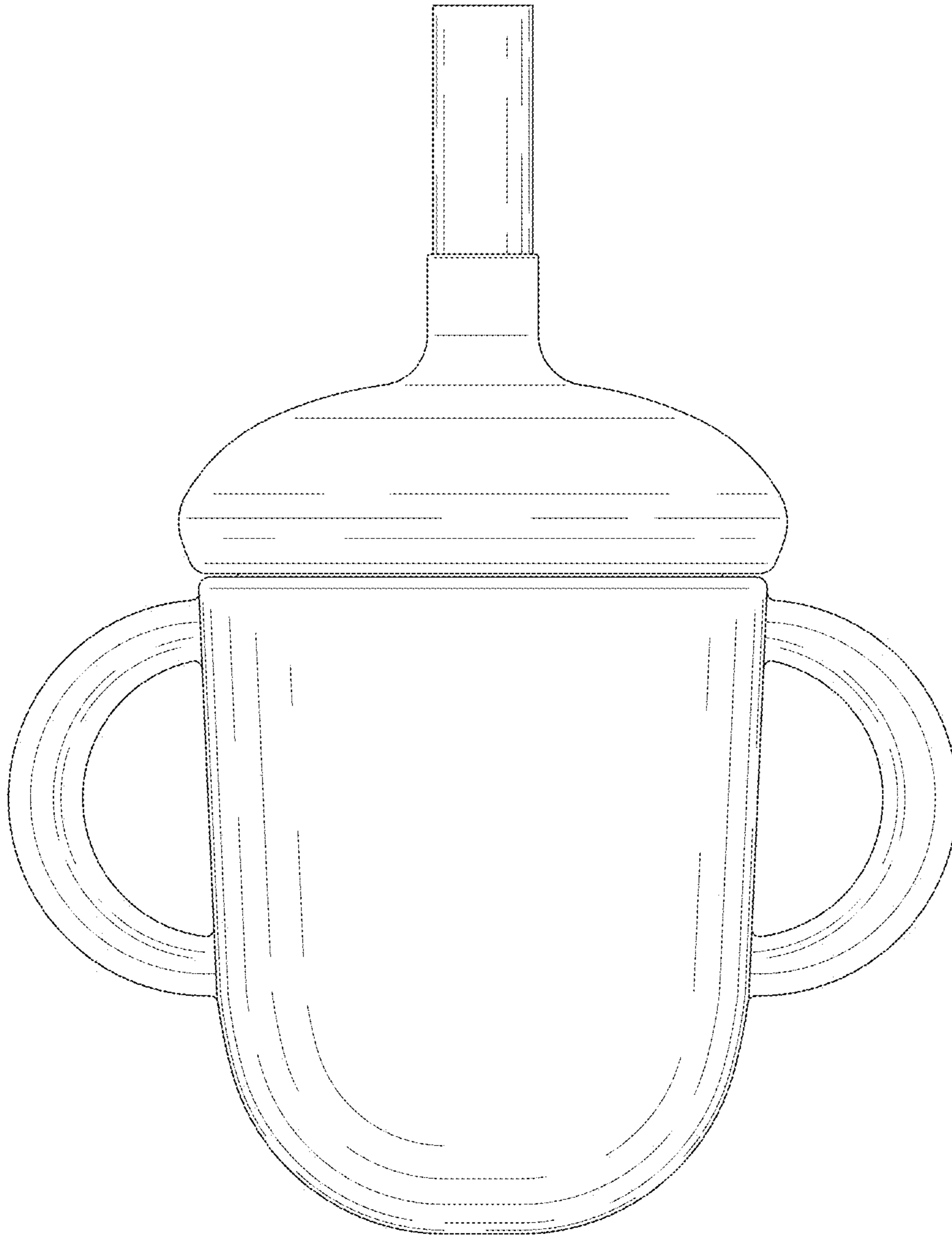


FIG. 3

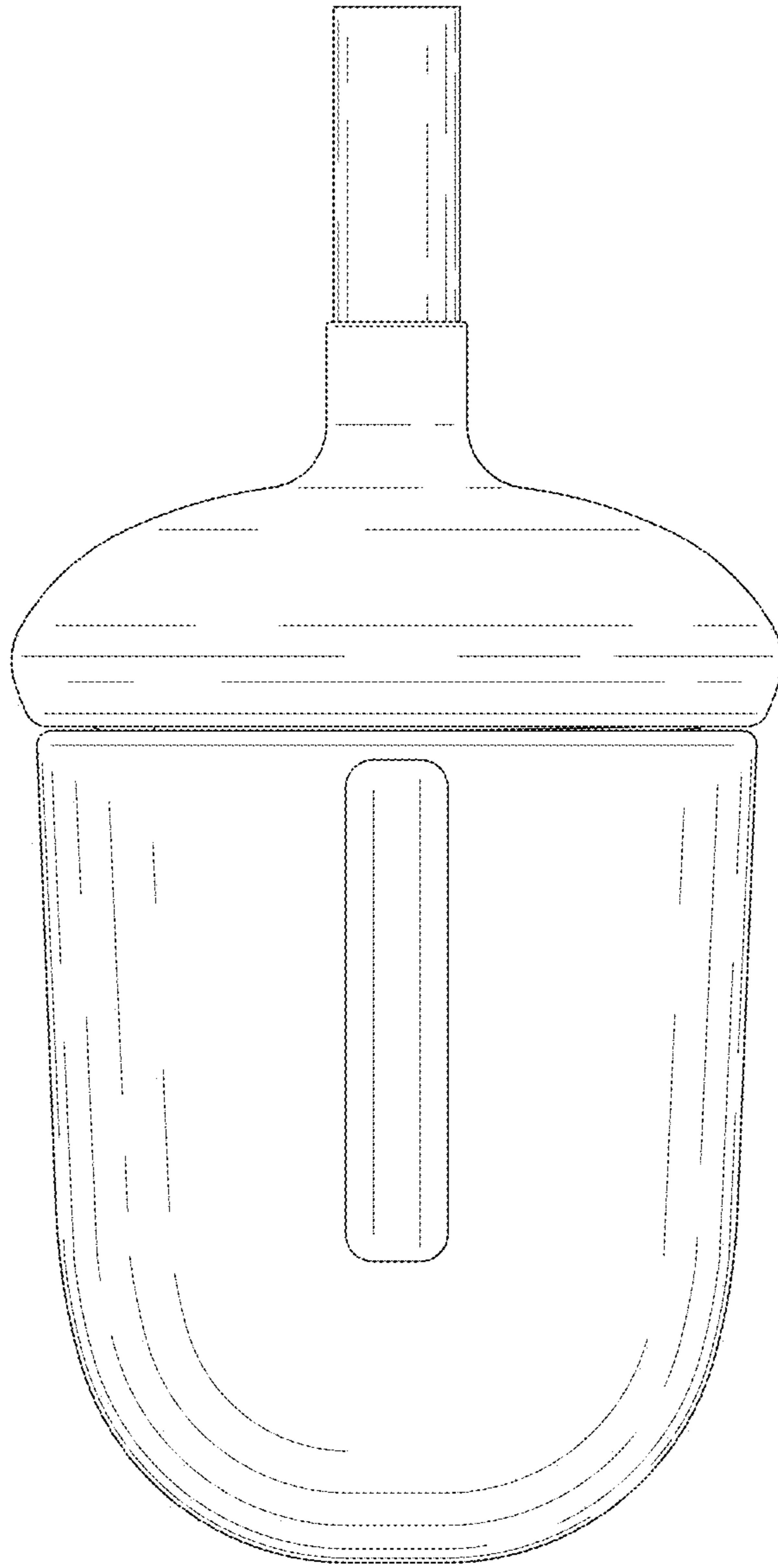


FIG. 4

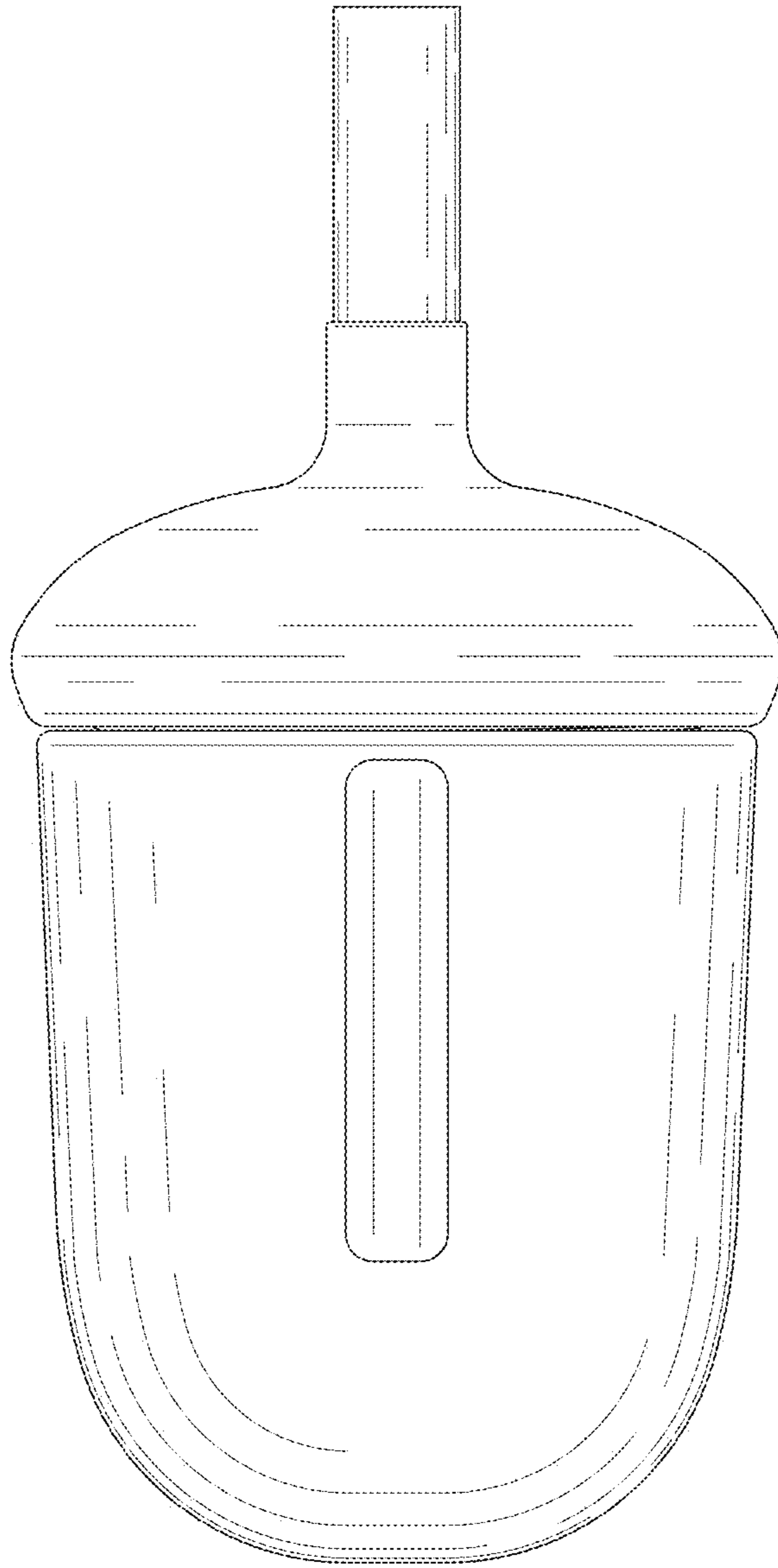


FIG. 5

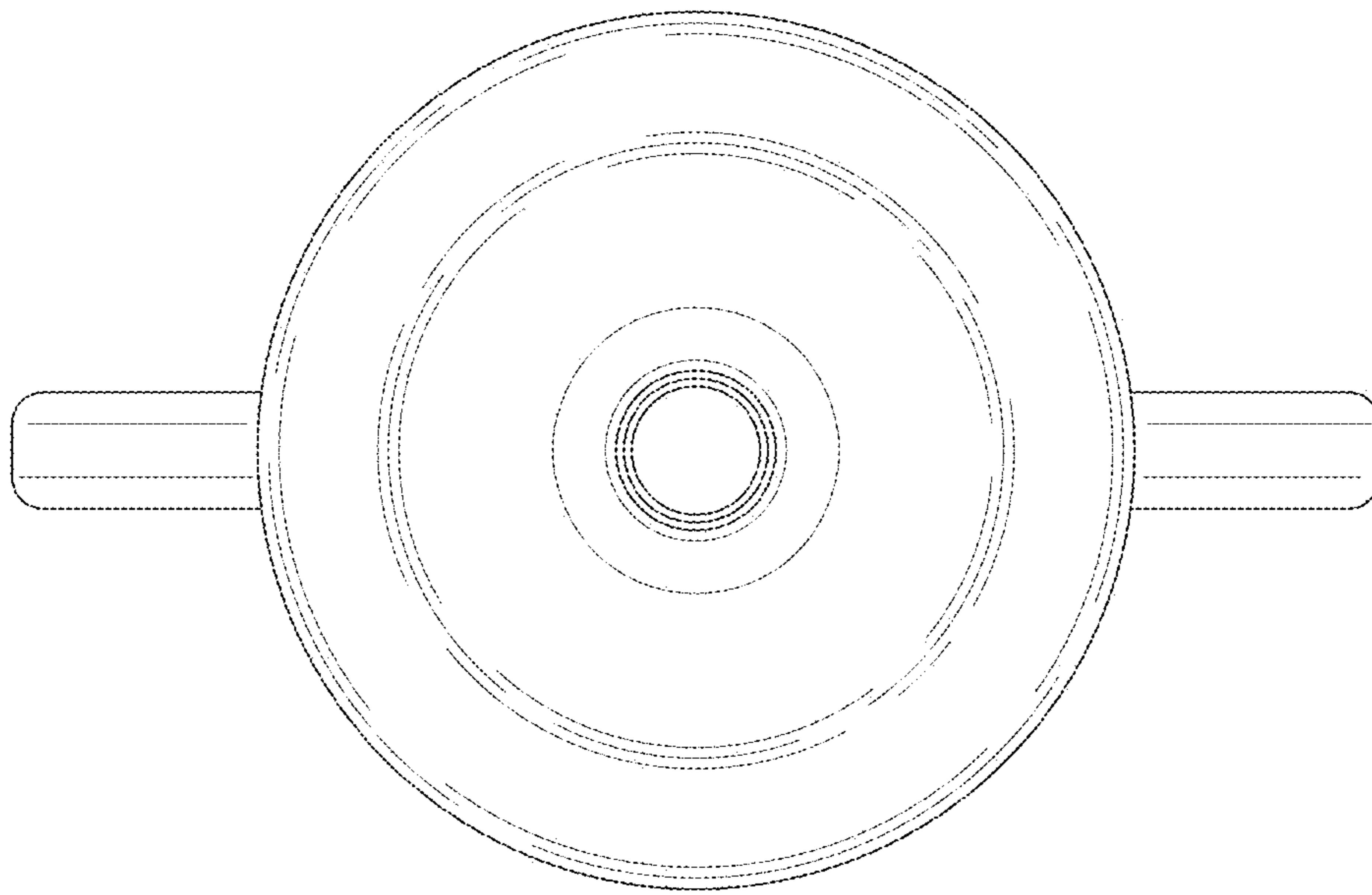


FIG. 6

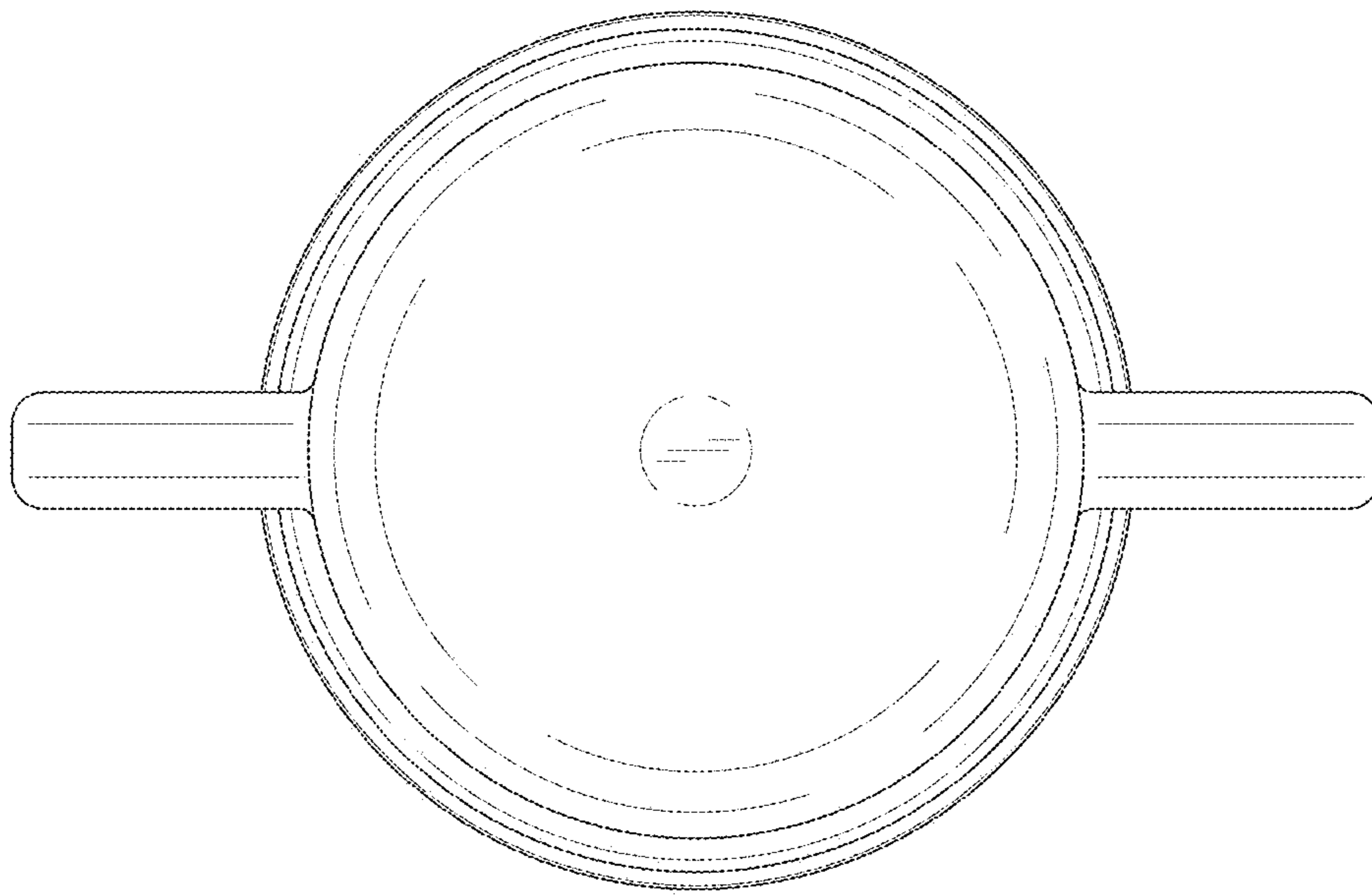


FIG. 7

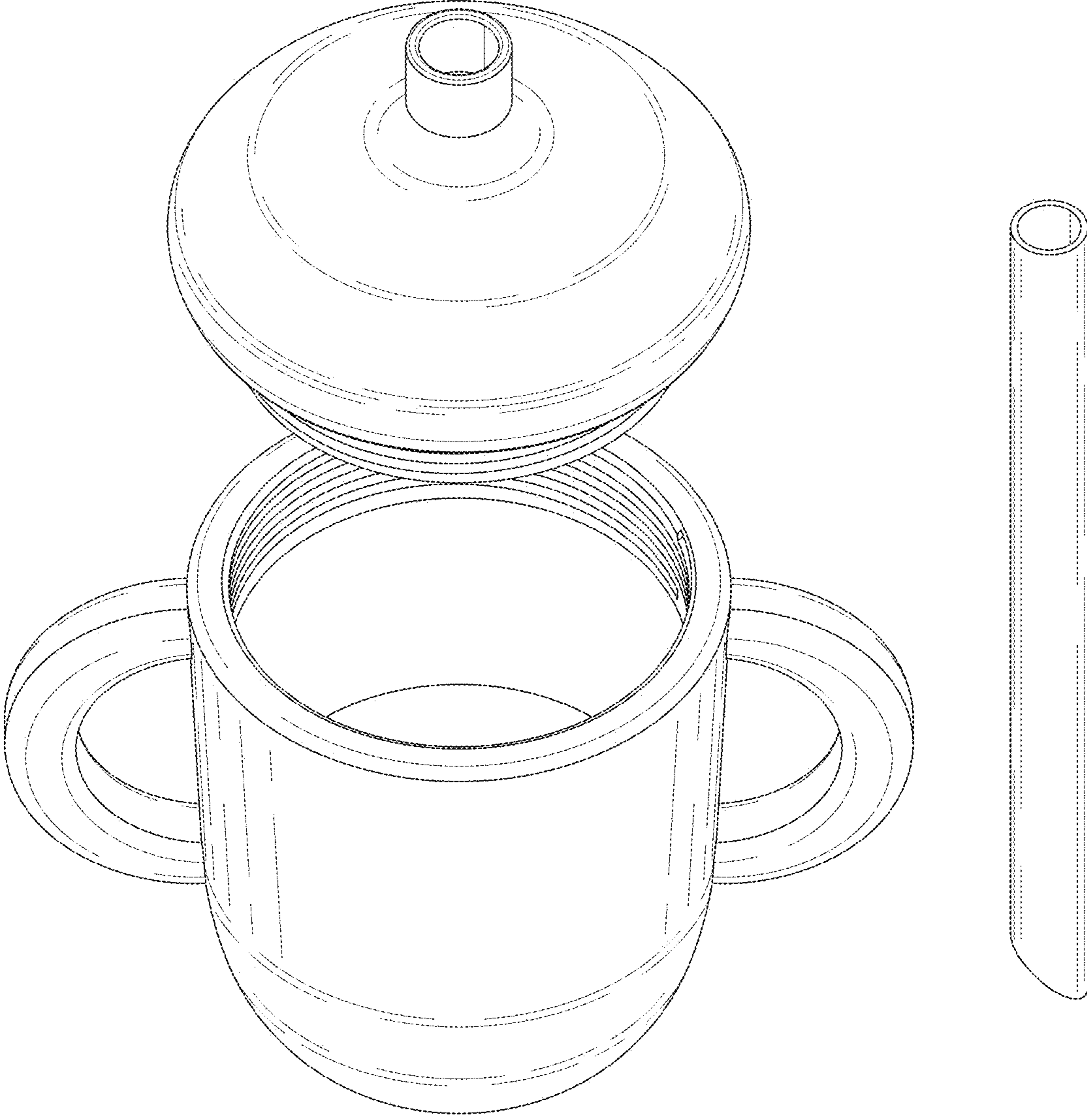


FIG. 8

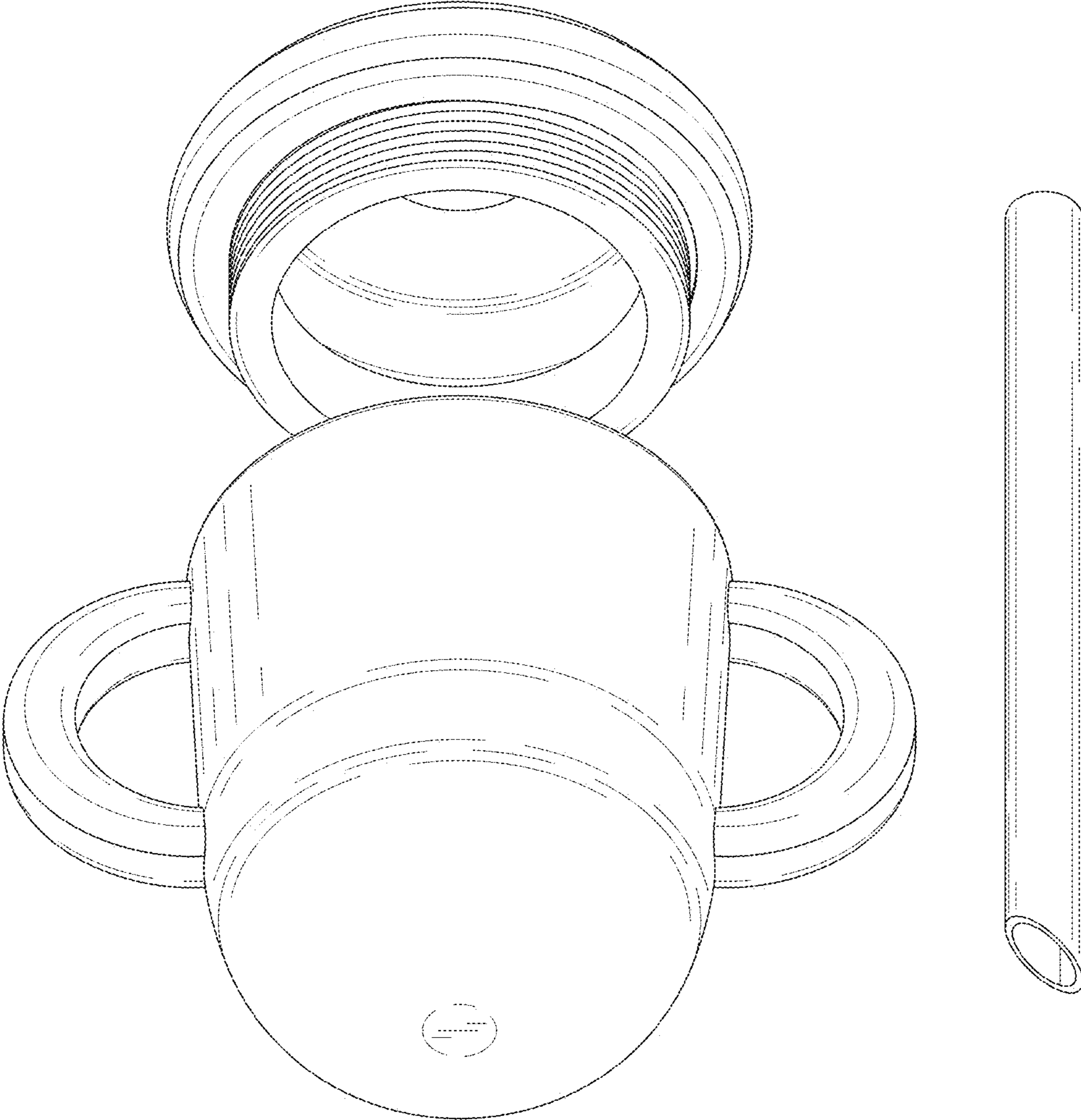


FIG. 9