



US00D949624S

(12) **United States Design Patent** (10) **Patent No.:** **US D949,624 S**  
**Dash et al.** (45) **Date of Patent:** **\*\* Apr. 26, 2022**

(54) **COOKING APPLIANCE**  
(71) Applicant: **StoreBound LLC**, New York, NY (US)  
(72) Inventors: **Evan Marc Dash**, New York, NY (US);  
**Shelby Scott**, New York, NY (US);  
**YiYang Zhang**, Brooklyn, NY (US);  
**I-Nung Huang**, Shenzhen (CN)  
(73) Assignee: **STOREBOUND LLC**  
(\*\*) Term: **15 Years**  
(21) Appl. No.: **29/712,556**  
(22) Filed: **Nov. 8, 2019**  
(51) **LOC (13) Cl.** ..... **07-02**  
(52) **U.S. Cl.**  
USPC ..... **D7/354**  
(58) **Field of Classification Search**  
USPC ..... D7/354-361, 323  
CPC ..... A47J 37/0641; A47J 36/32; A47J 39/003;  
A47J 27/086; A47J 27/004; A47J 27/04;  
A47J 27/08; A47J 37/0629  
See application file for complete search history.

D719,397 S \* 12/2014 Krooshof ..... A47J 37/0641  
D743,201 S 11/2015 Aderka  
D747,133 S 1/2016 Dutruel  
D796,894 S 9/2017 Piret  
D803,615 S \* 11/2017 Zhang ..... D7/354  
D804,236 S \* 12/2017 Zhang ..... D7/354  
D816,390 S \* 5/2018 Zhang ..... D7/354  
D817,698 S \* 5/2018 Liu ..... D7/361  
D820,029 S \* 6/2018 Zhang ..... D7/354  
D820,030 S \* 6/2018 Zhang ..... D7/354  
D820,031 S \* 6/2018 Zhang ..... D7/354  
D839,040 S \* 1/2019 Seymour ..... D7/354  
D848,198 S \* 5/2019 Kowalewski ..... D7/354  
D848,199 S \* 5/2019 Kowalewski ..... D7/354  
D848,200 S \* 5/2019 Kowalewski ..... D7/354

(Continued)

*Primary Examiner* — Michelle E. Wilson  
*Assistant Examiner* — Clese Moore, Jr.  
(74) *Attorney, Agent, or Firm* — Belles Katz LLC

(57) **CLAIM**

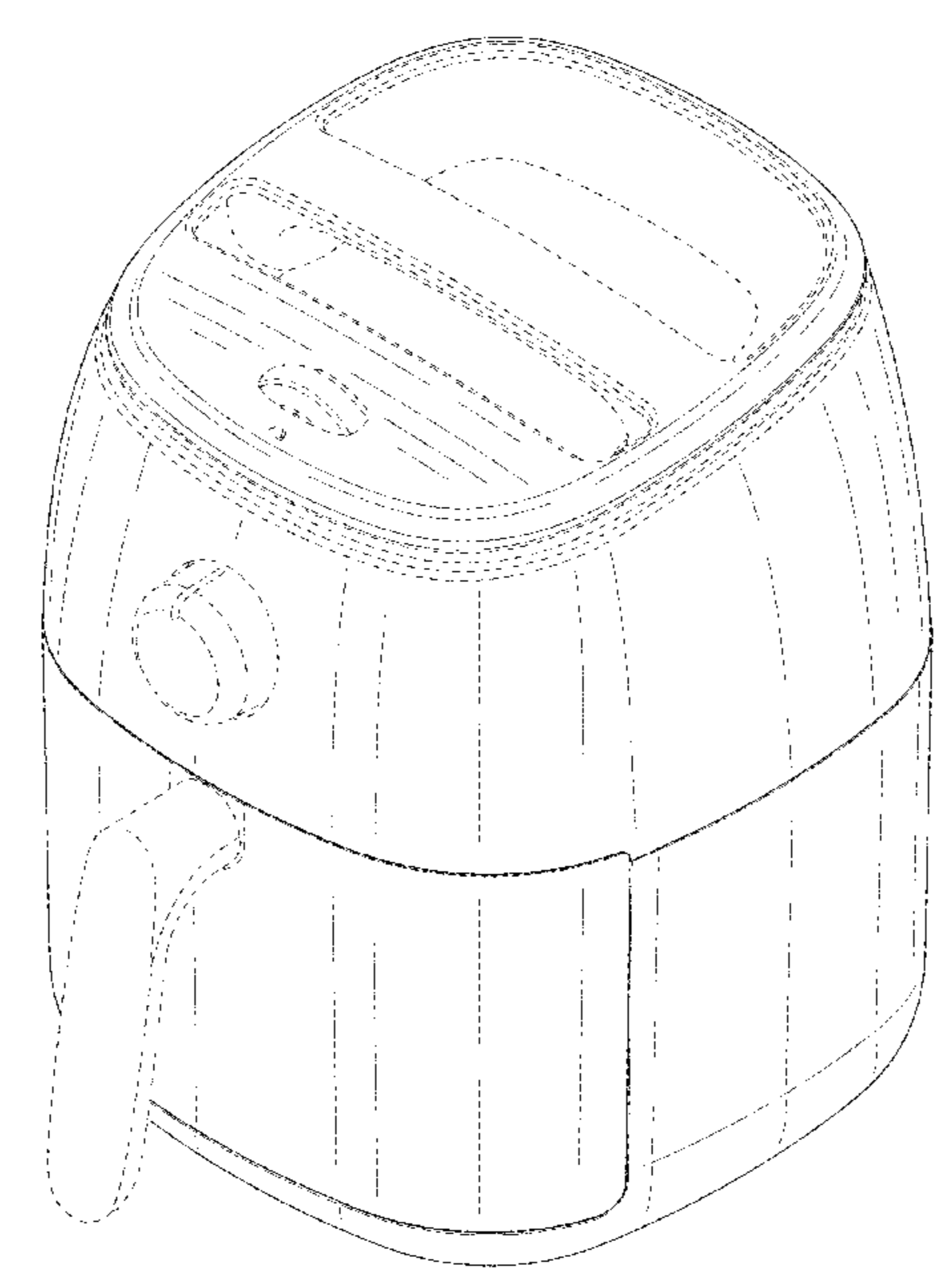
The ornamental design for a cooking appliance, as shown and described.

**DESCRIPTION**

FIG. 1 is an elevated front-right perspective view of a cooking appliance according to our new design; FIG. 2 is a depressed front-left perspective view thereof; FIG. 3 is an elevated rear-left perspective view thereof; FIG. 4 is a depressed rear-right perspective view thereof; FIG. 5 is a front plan view thereof; FIG. 6 is a rear plan view thereof; FIG. 7 is a right plan view thereof; FIG. 8 is left plan view thereof; FIG. 9 is a top plan view thereof; and, FIG. 10 is a bottom plan view thereof. The broken lines in the drawings illustrate portions of the cooking appliance that form no part of the claimed design.

**1 Claim, 10 Drawing Sheets**

(56) **References Cited**  
U.S. PATENT DOCUMENTS  
D323,762 S 2/1992 Barrault  
D363,637 S 10/1995 Chang  
D474,937 S \* 5/2003 Josancy ..... D7/354  
D475,570 S \* 6/2003 Josancy ..... D7/354  
D507,452 S 7/2005 Chan  
D532,248 S \* 11/2006 Allende Fritsch ..... D7/354  
D600,066 S 9/2009 Seymour  
D611,757 S \* 3/2010 Reiner ..... D7/354  
D667,255 S 9/2012 Reiner  
D677,112 S \* 3/2013 Piret ..... D7/354  
D680,800 S 4/2013 Berge  
D692,718 S 11/2013 Verbrugge et al.



(56)

**References Cited**

U.S. PATENT DOCUMENTS

D855,396 S \* 8/2019 Zhang ..... D7/405  
2014/0366746 A1 \* 12/2014 Tsai ..... A47J 37/0641  
99/403

\* cited by examiner

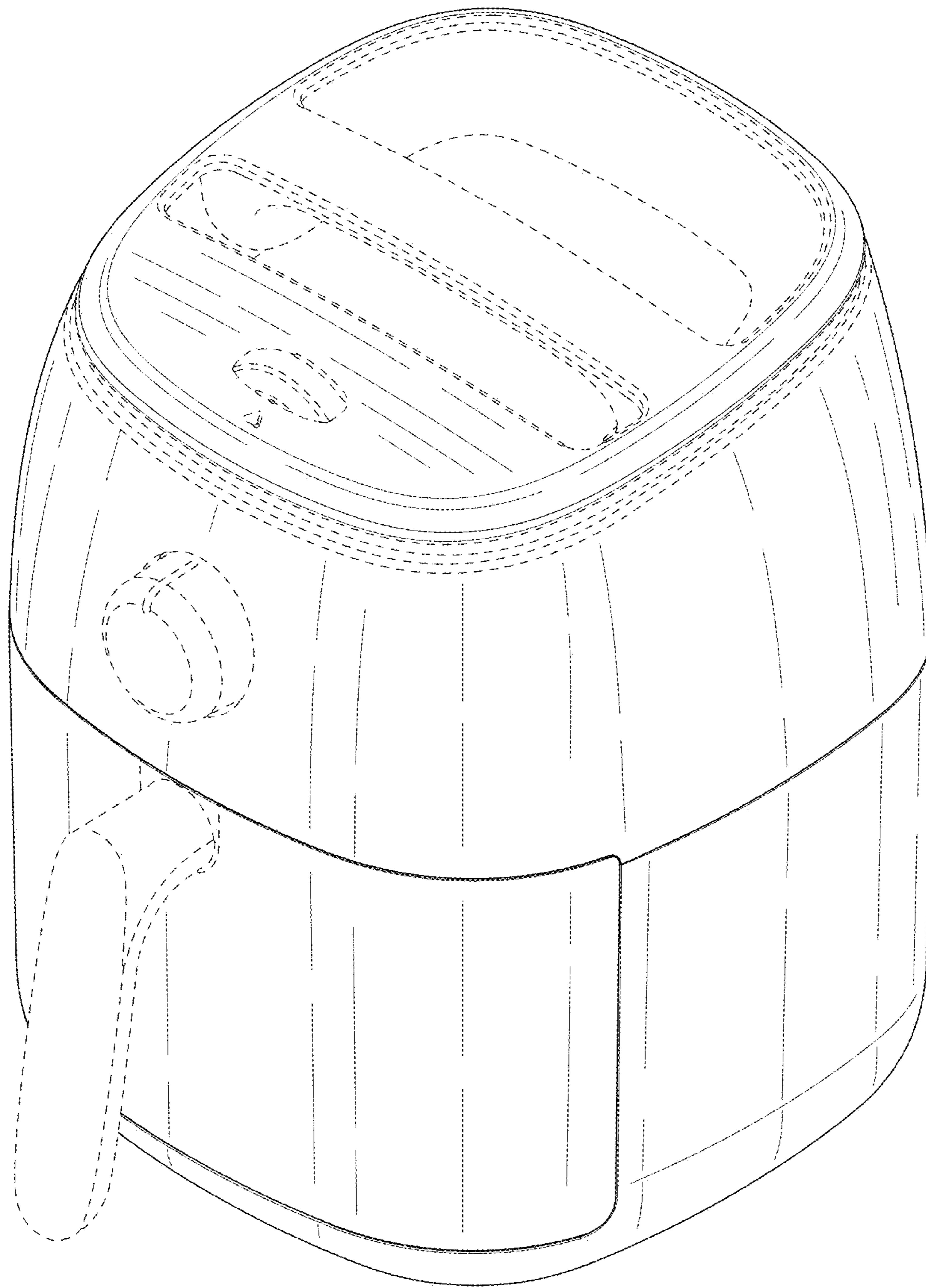


FIG. 1

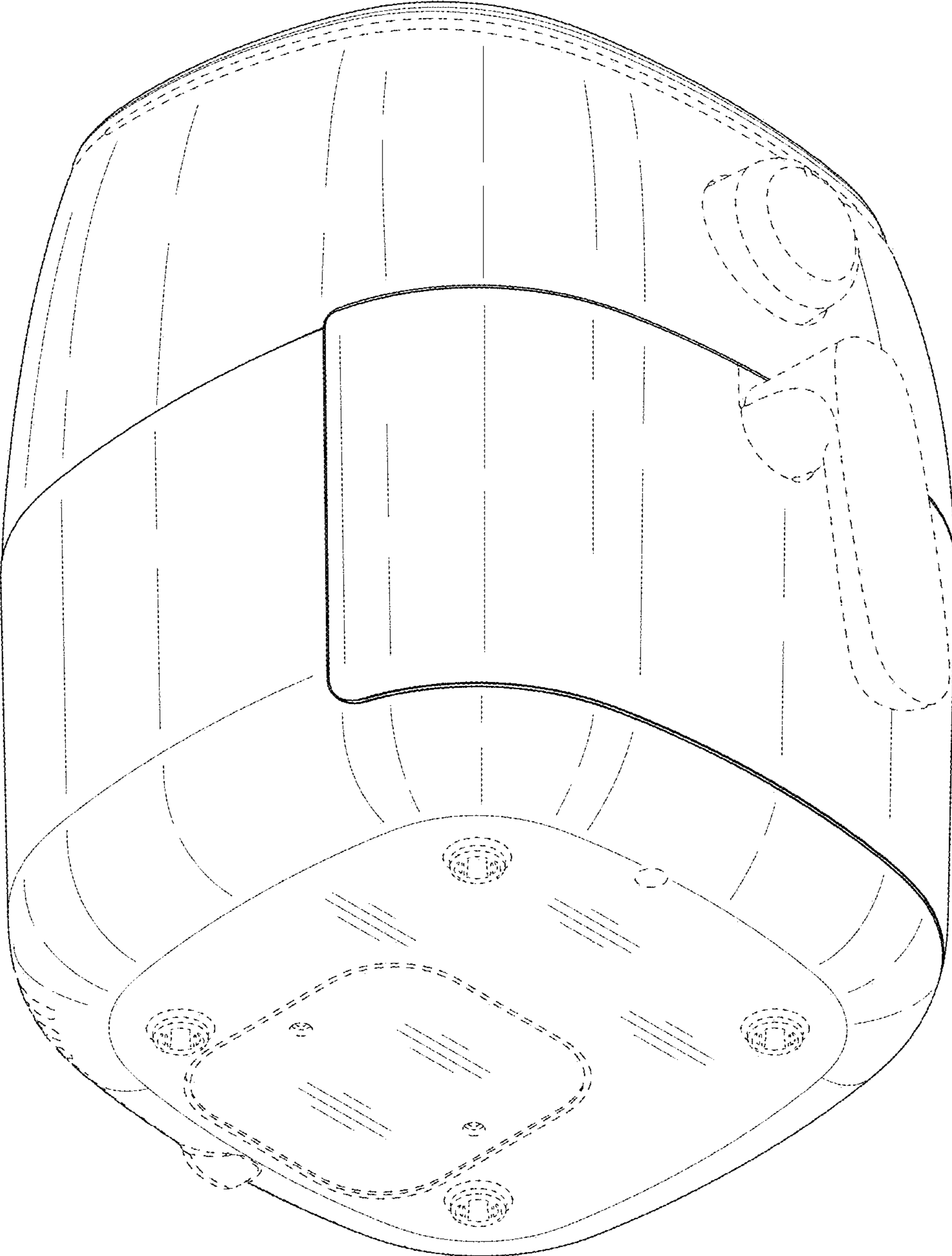


FIG. 2

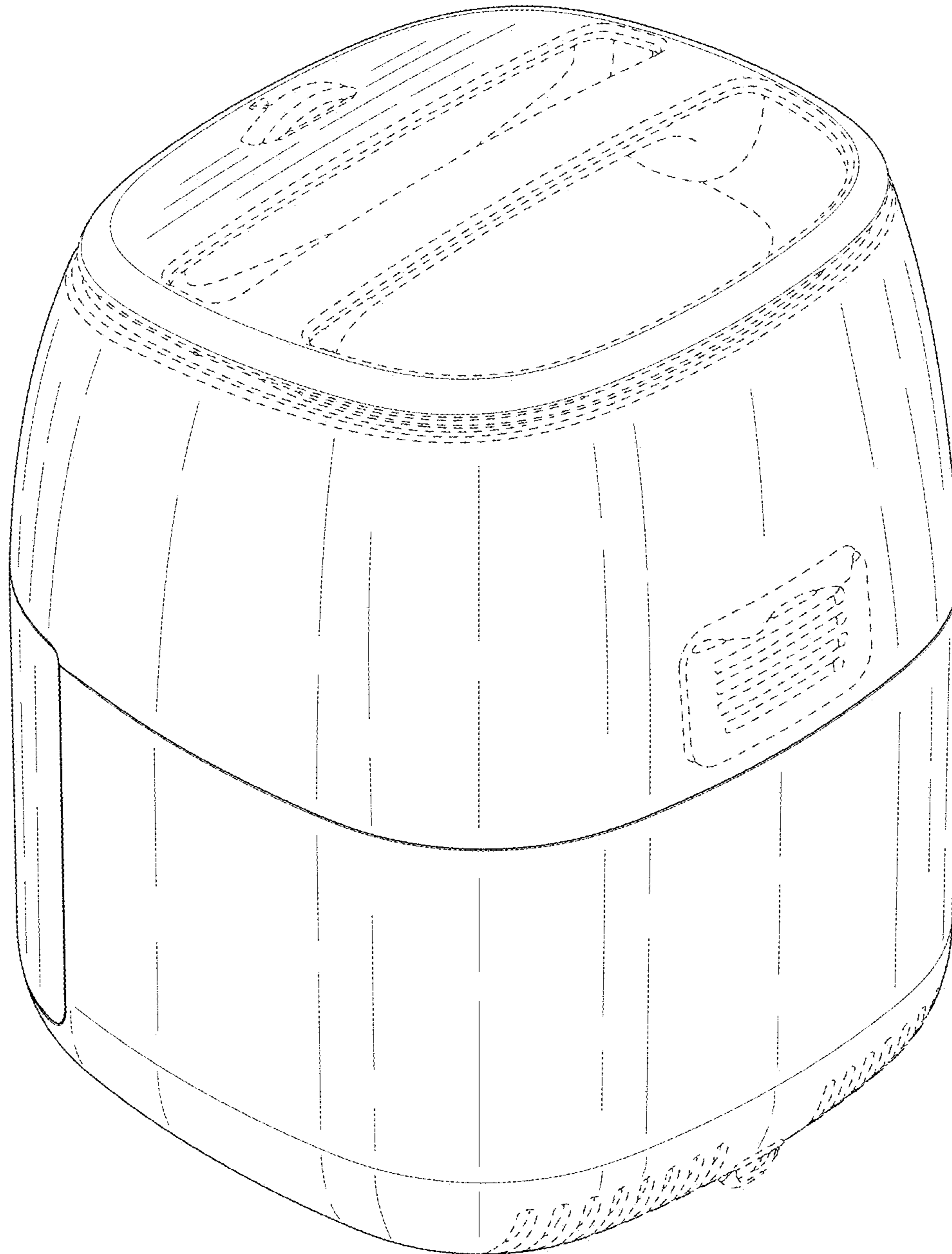


FIG. 3

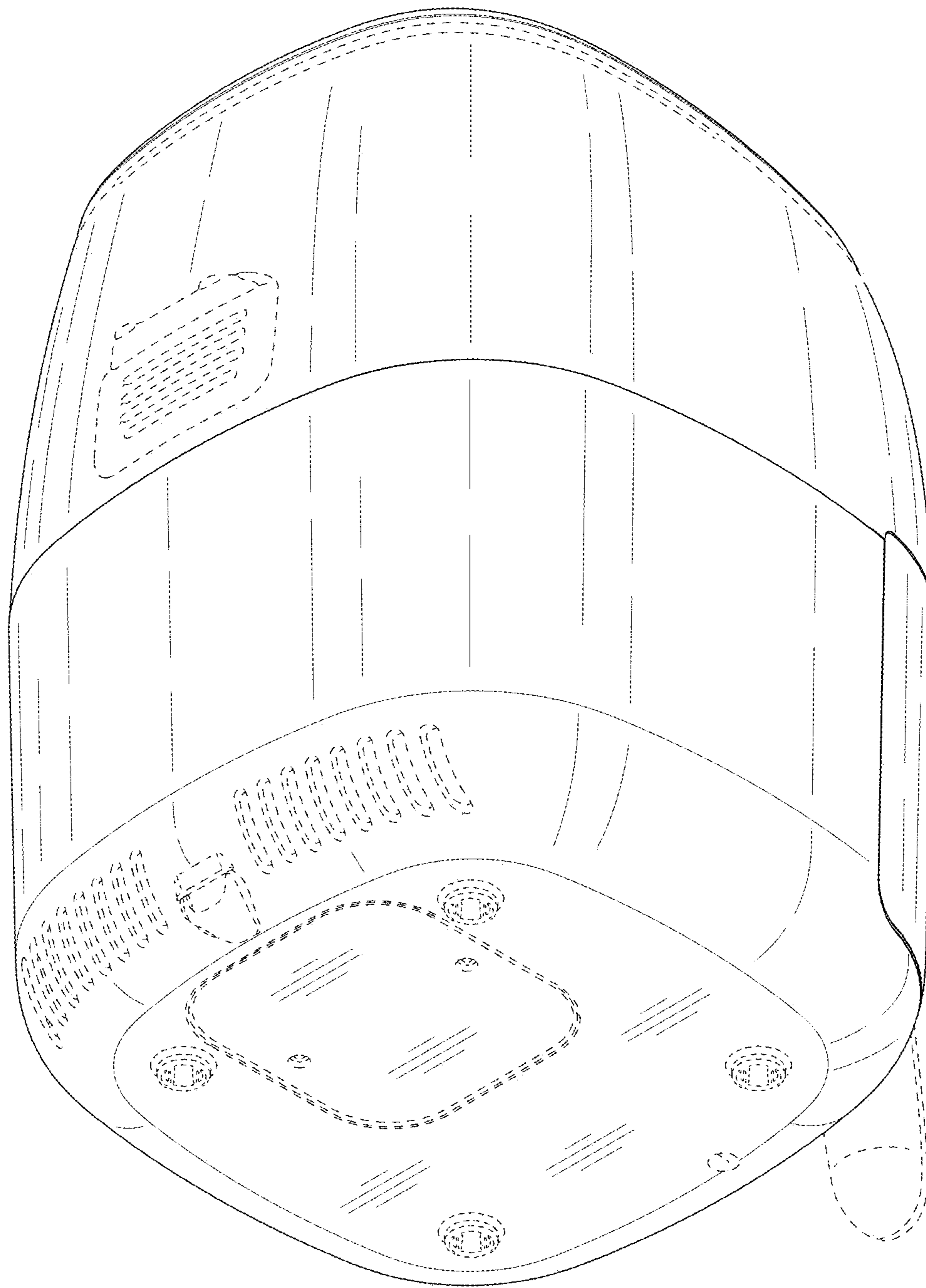


FIG. 4

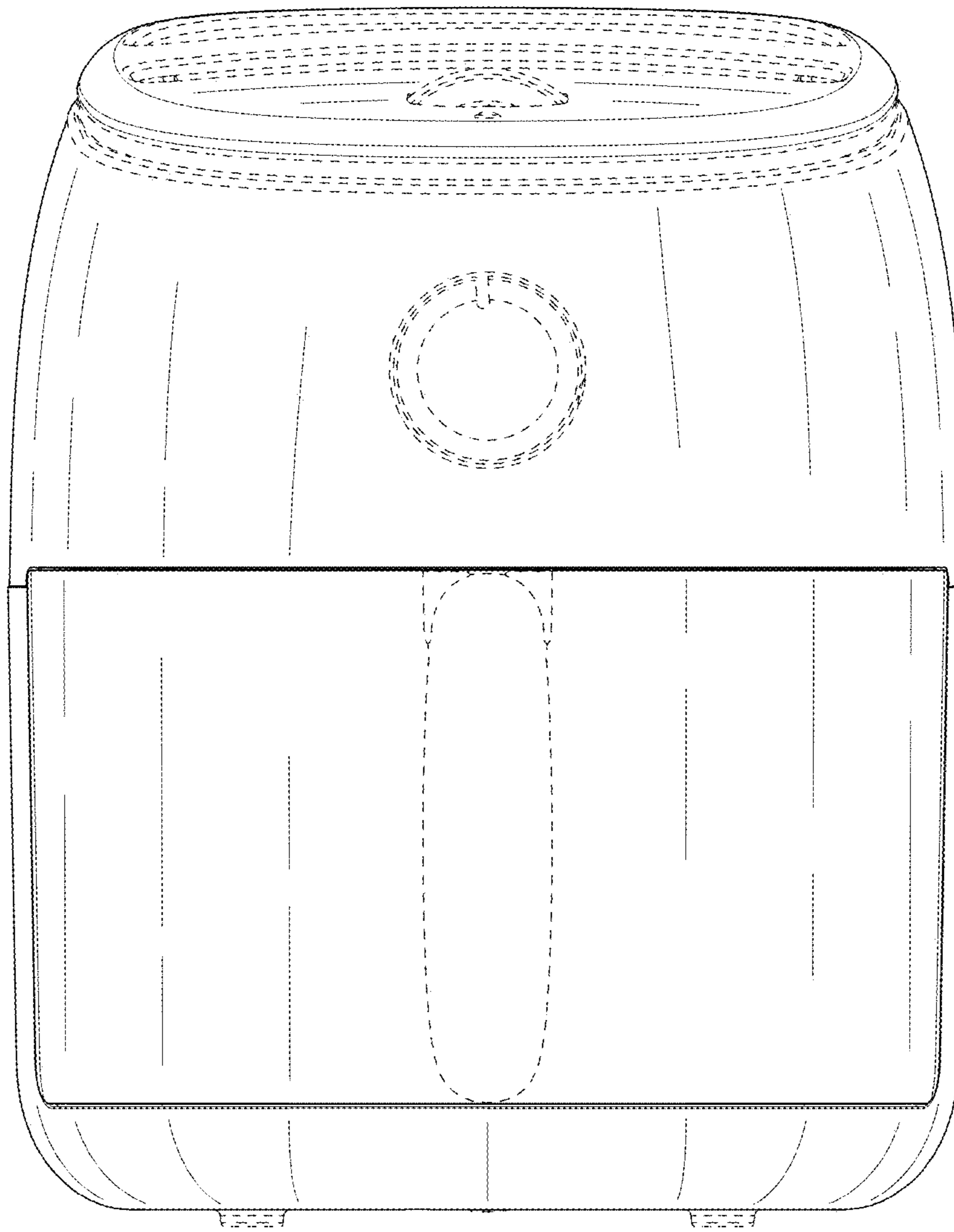


FIG. 5

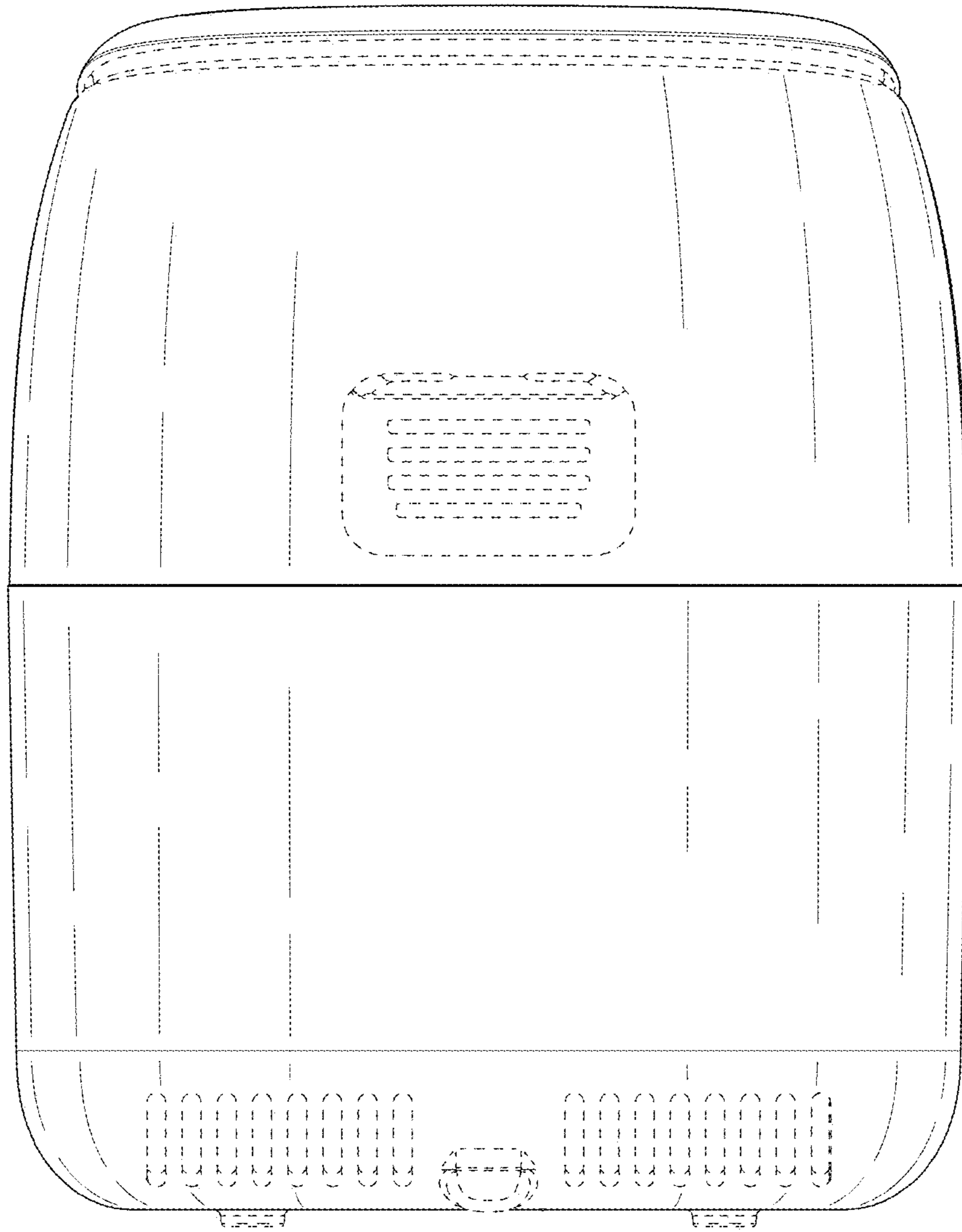


FIG. 6



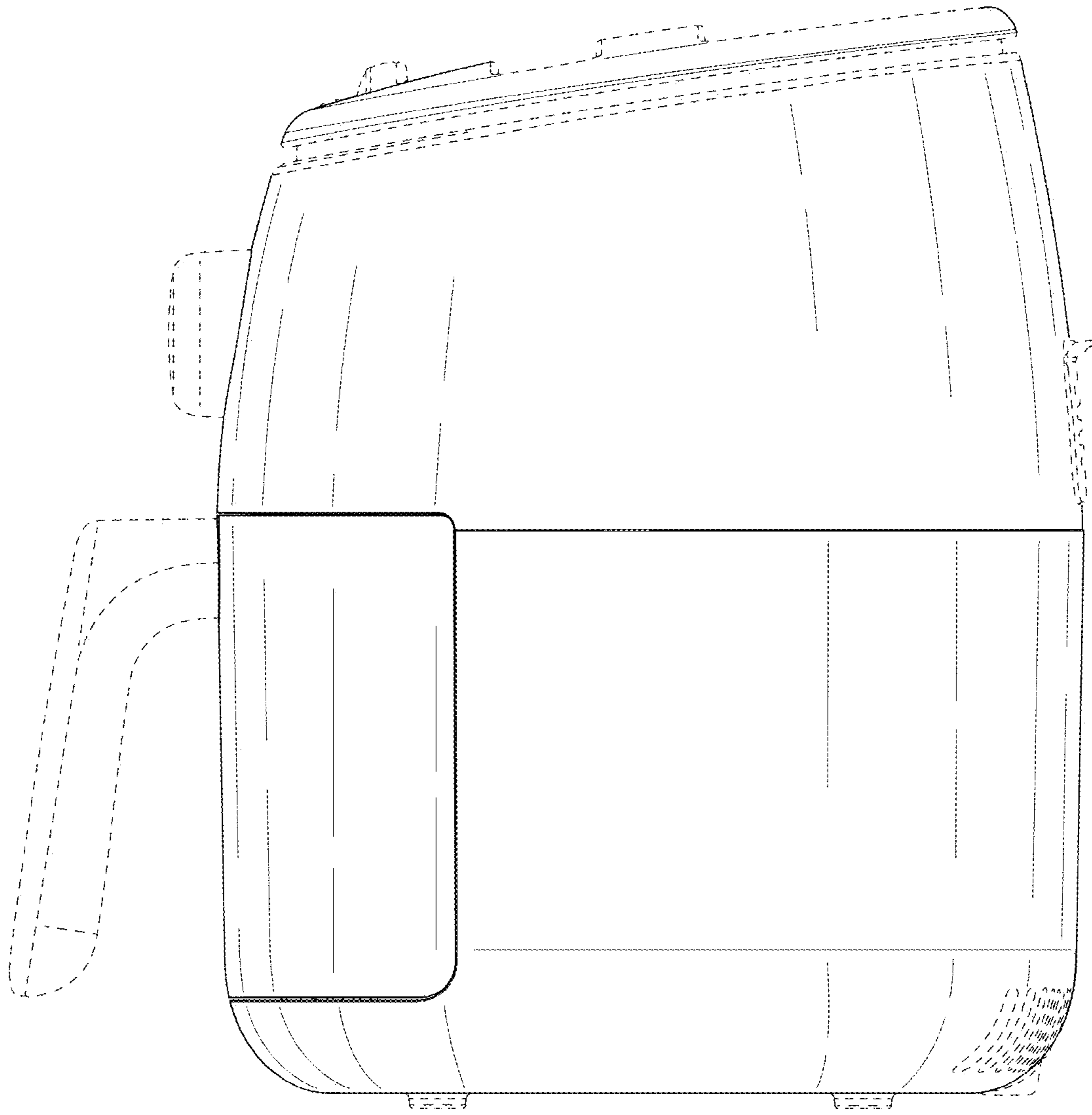


FIG. 7

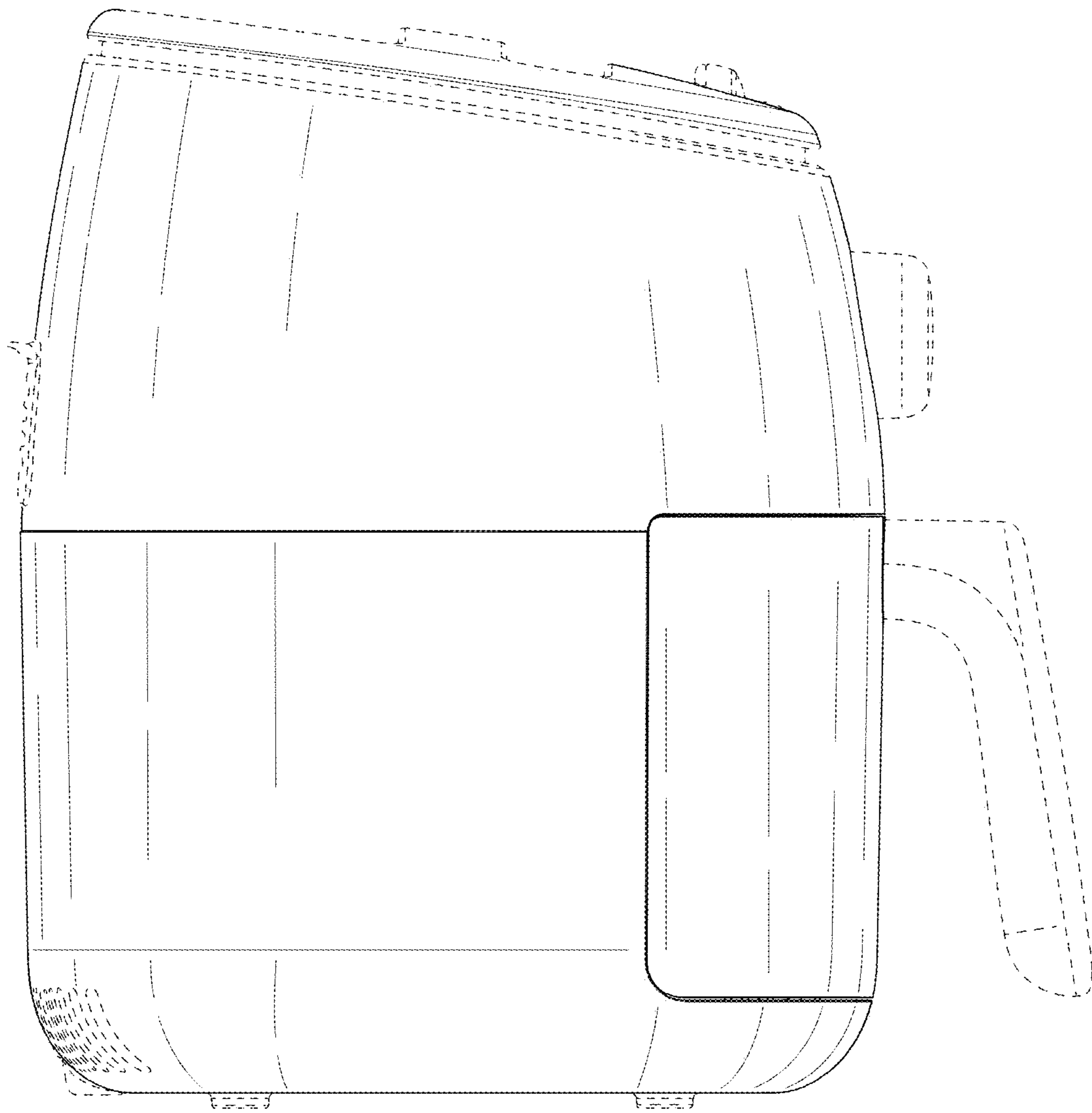


FIG. 8

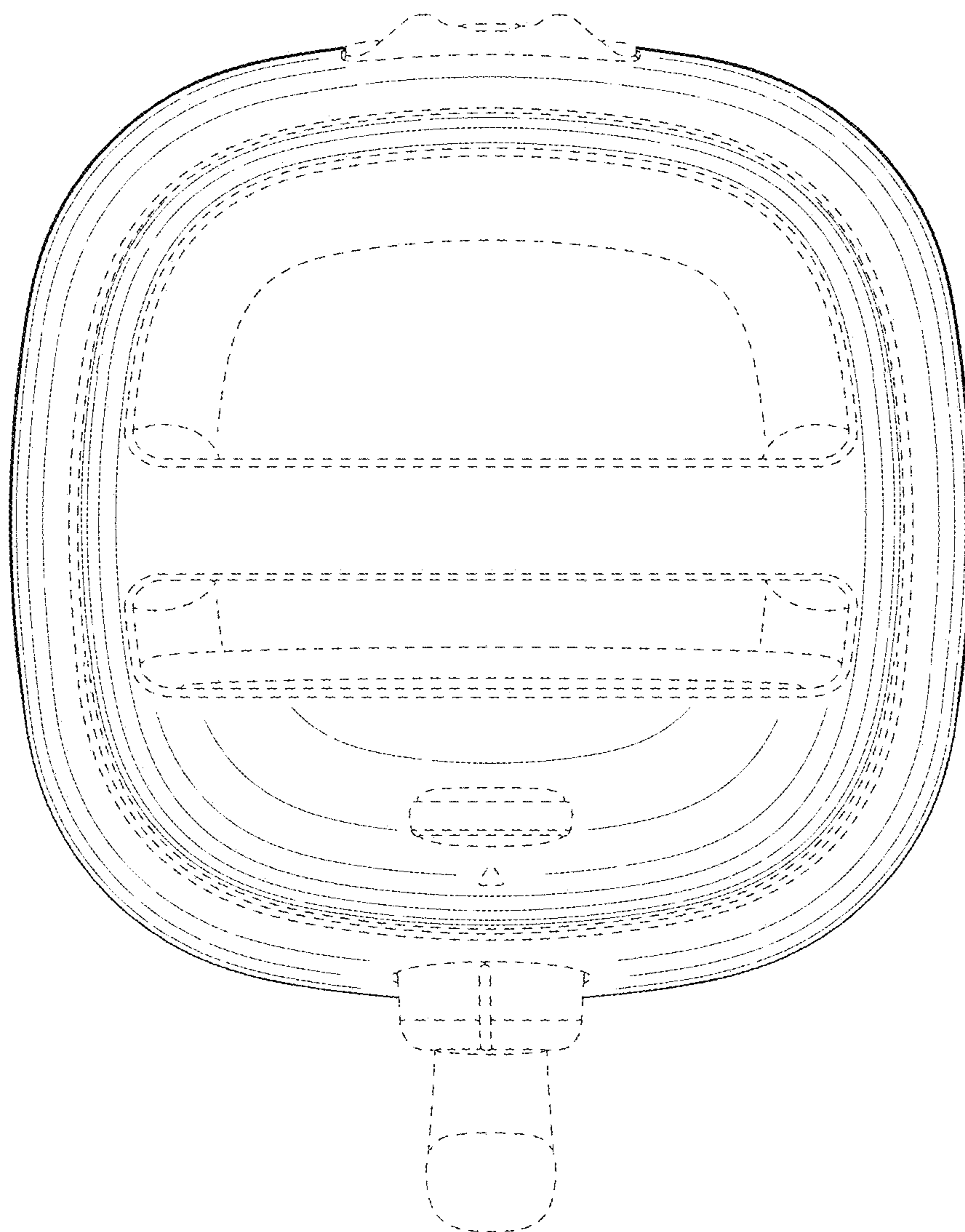


FIG. 9

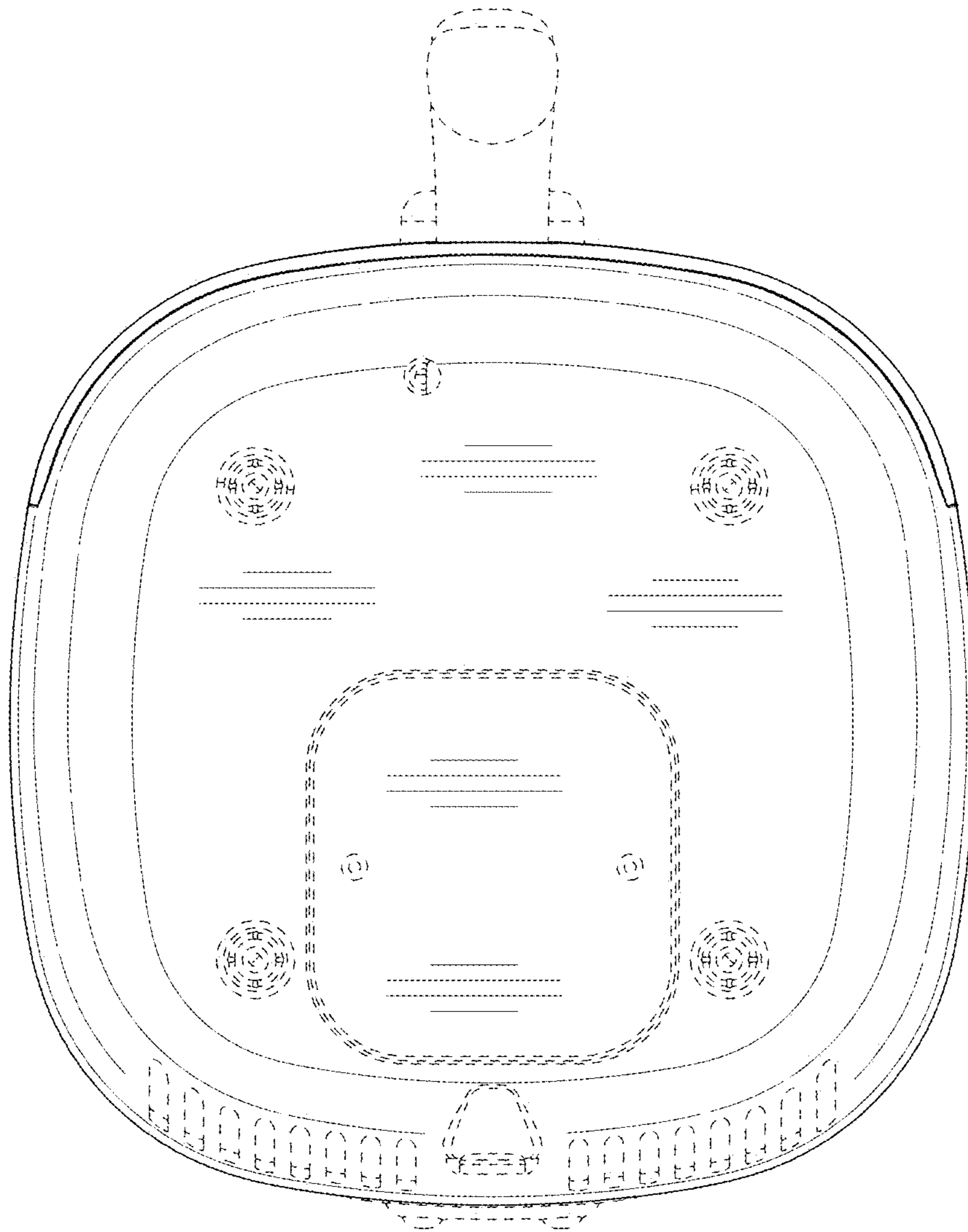


FIG. 10