



US00D949623S

(12) **United States Design Patent**  
**Ryu et al.**

(10) **Patent No.:** **US D949,623 S**  
(45) **Date of Patent:** **\*\* Apr. 26, 2022**

(54) **OVEN RANGE**

(71) Applicant: **LG ELECTRONICS INC.**, Seoul (KR)

(72) Inventors: **Inhwan Ryu**, Seoul (KR); **Hongsik Kwon**, Seoul (KR); **Suhyeon Son**, Seoul (KR)

(73) Assignee: **LG ELECTRONICS INC.**, Seoul (KR)

(\*\*) Term: **15 Years**

(21) Appl. No.: **29/752,931**

(22) Filed: **Sep. 29, 2020**

(30) **Foreign Application Priority Data**

Apr. 21, 2020 (KR) ..... 30-2020-0017655

(51) **LOC (13) Cl.** ..... **07-02**

(52) **U.S. Cl.**  
USPC ..... **D7/348**

(58) **Field of Classification Search**  
USPC ..... D7/323, 329, 339, 340, 341, 346, 347, D7/348, 350.1, 362, 365, 402, 405, 406, D7/407, 408; D21/523-525; D23/397, D23/402, 415  
CPC ..... A21B 2/00; A47J 37/00; A47J 37/0807; F24C 1/00; F24C 3/00; F24C 3/002; F24C 7/00; F24C 7/002; F24C 7/046; F24C 7/062; F24C 7/067; F24C 15/024; F24C 15/162; F24C 15/00; F24C 15/022; F24C 15/102

See application file for complete search history.

(56) **References Cited**

**U.S. PATENT DOCUMENTS**

D604,987 S \* 12/2009 Jung ..... D7/348  
D755,008 S \* 5/2016 Kim ..... D7/406  
D755,009 S \* 5/2016 Kim ..... D7/406

D763,616 S \* 8/2016 Kim ..... D7/340  
D767,325 S \* 9/2016 Funnell, II ..... D7/346  
D787,257 S \* 5/2017 Kim ..... D7/340  
D788,512 S \* 6/2017 Kim ..... D7/340  
D788,513 S \* 6/2017 Chung ..... D7/340  
D793,150 S \* 8/2017 Lee ..... D7/344

(Continued)

**FOREIGN PATENT DOCUMENTS**

EM WOD204765-001 \* 10/2019

**OTHER PUBLICATIONS**

LG Electric Convection Range, posted at Amazon.com on Dec. 8, 2017, [site visited Jan. 24, 2022]. Available from internet, URL: <<https://www.amazon.com/LG-LSE4611ST-Stainless-Electric-Convection/dp/B07CSR7R4L/>> (Year: 2017).\*

(Continued)

*Primary Examiner* — Andrew Kerr

*Assistant Examiner* — Chariton Alexakis

(74) *Attorney, Agent, or Firm* — Birch, Stewart, Kolasch & Birch, LLP

(57) **CLAIM**

We claim the ornamental design for an oven range, as shown and described.

**DESCRIPTION**

FIG. 1 is a perspective view of an oven range showing our new design:

FIG. 2 is a front elevation view thereof;

FIG. 3 is a rear elevation view thereof;

FIG. 4 is a left-side elevation view thereof;

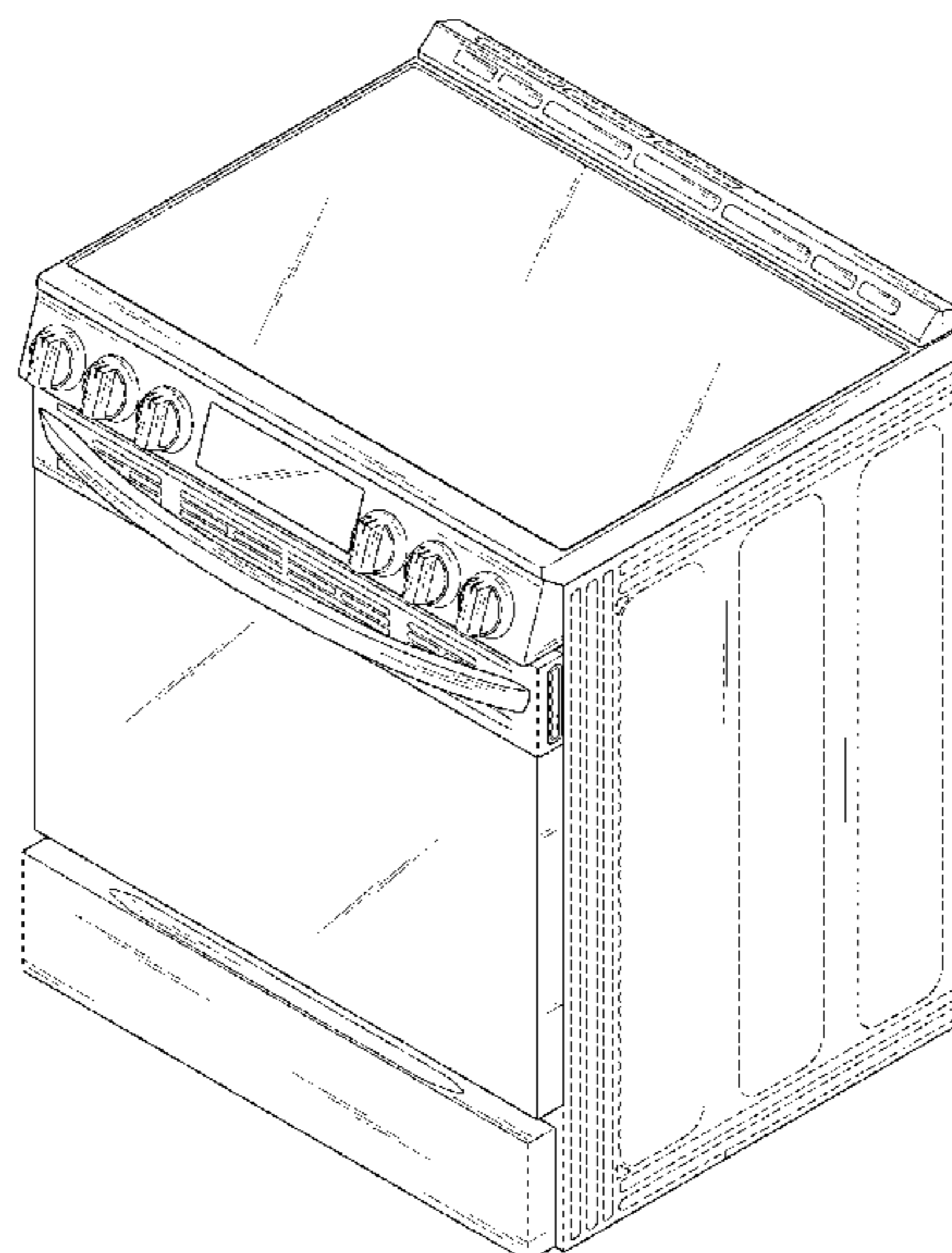
FIG. 5 is a right-side elevation view thereof;

FIG. 6 is a top plan view thereof; and,

FIG. 7 is a bottom plan view thereof.

The broken lines represent portions of the oven range that form no part of the claimed design.

**1 Claim, 7 Drawing Sheets**



(56)

**References Cited**

U.S. PATENT DOCUMENTS

D805,832 S \* 12/2017 Kim ..... D7/340  
D814,229 S \* 4/2018 Hu ..... D7/340  
D816,386 S \* 5/2018 Kim ..... D7/340  
D817,685 S \* 5/2018 Incukur ..... D7/340  
D859,071 S \* 9/2019 Chavez ..... D7/405  
D918,640 S \* 5/2021 Ryu ..... D7/340  
D929,789 S \* 9/2021 Han ..... D7/340  
2019/0170364 A1 \* 6/2019 Ha ..... F24C 7/086

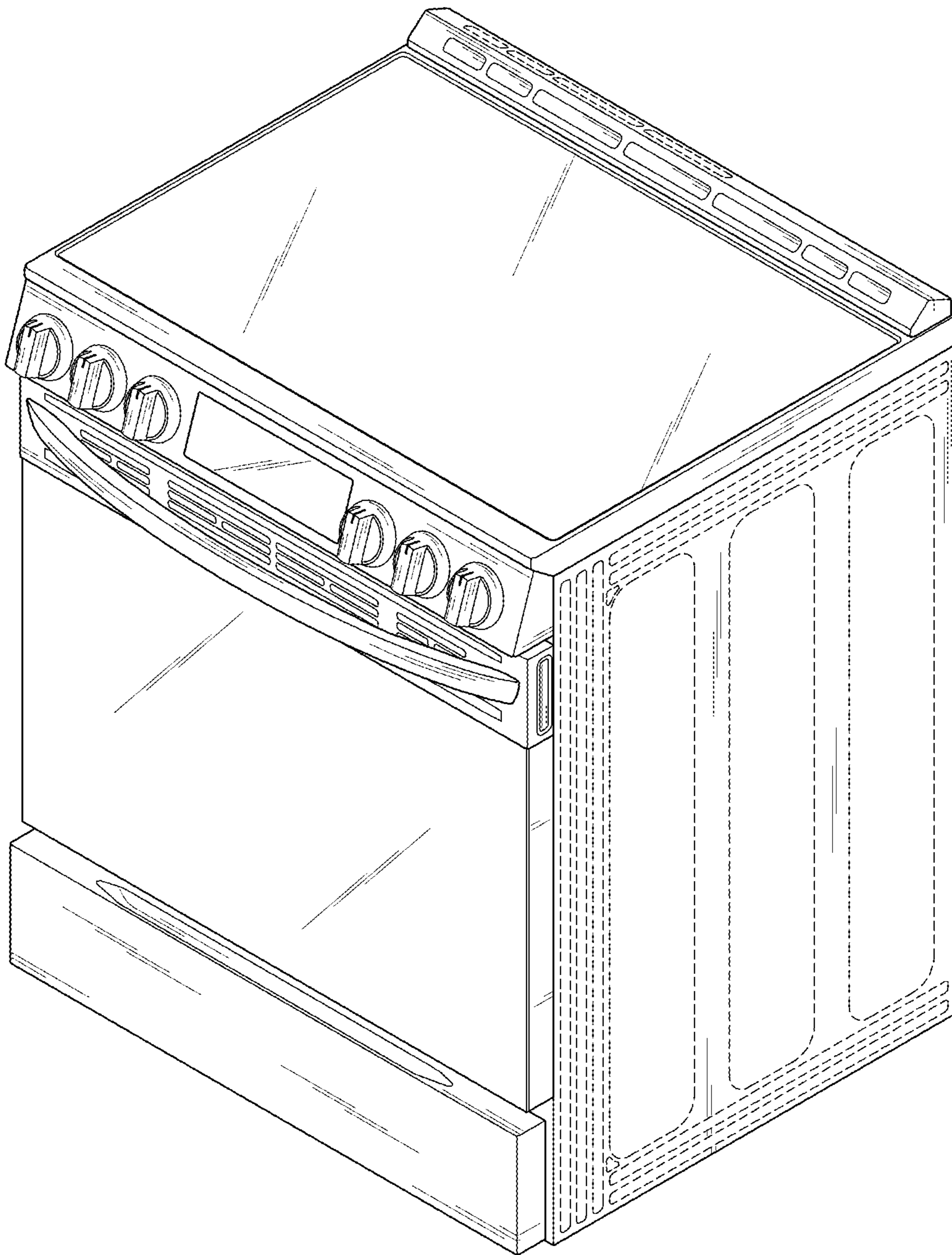
OTHER PUBLICATIONS

Samsung Electric Range with Convection, posted at Amazon.com on Jul. 14, 2020 , [site visited Jan. 24, 2022]. Available from internet, URL: <<https://www.amazon.com/Samsung-NE63T8311SS-Control-Electric-Convection/dp/B08CBNNB5H/>> (Year: 2020).\*

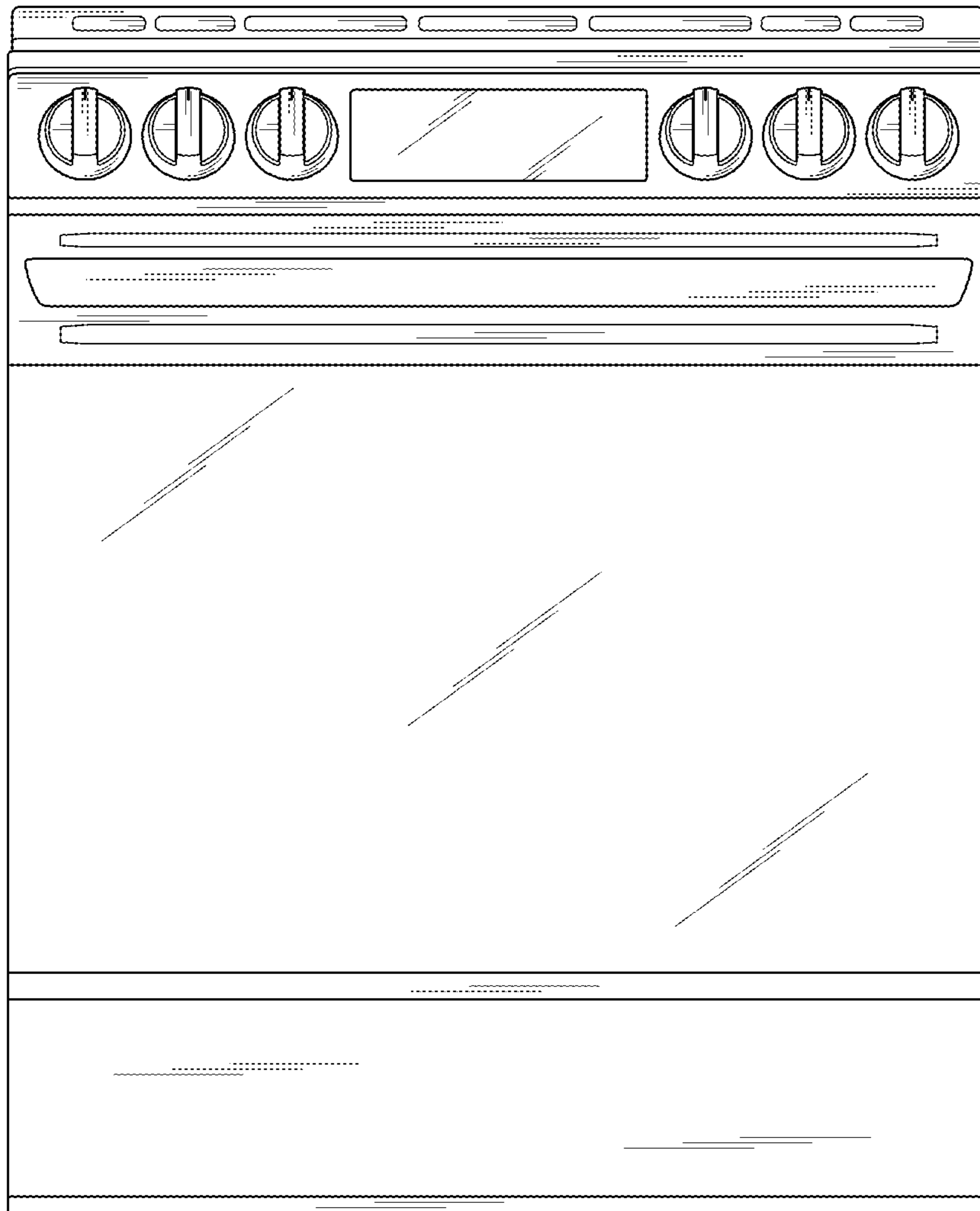
LG Convection Range, posted at lg.com (date not available) , [site visited Jan. 24, 2022]. Available from internet, URL: <<https://www.lg.com/us/cooking-appliances/lg-lsel6335d-electric-range>> (Year: NA).\*

\* cited by examiner

*FIG. 1*



*FIG. 2*



*FIG. 3*

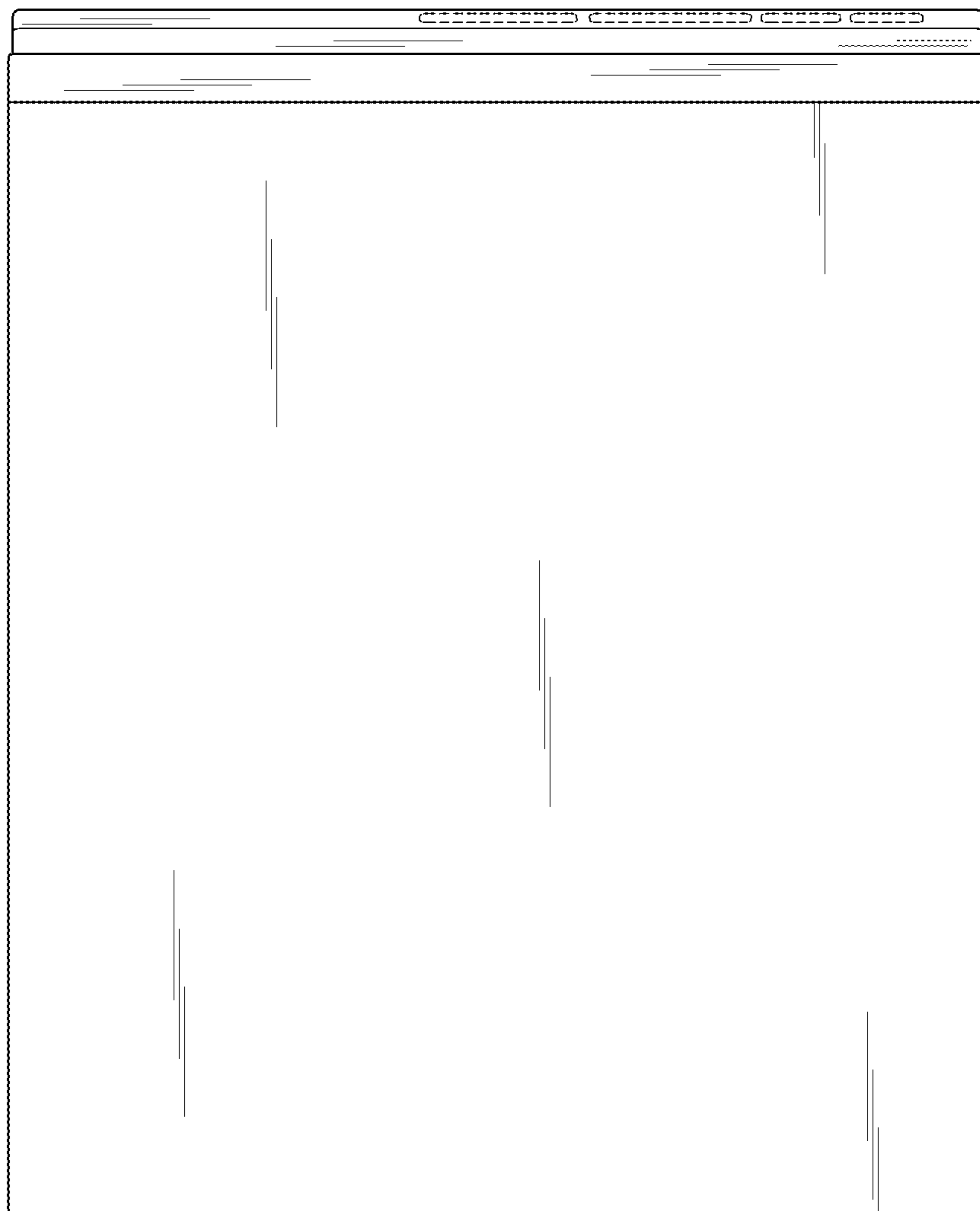
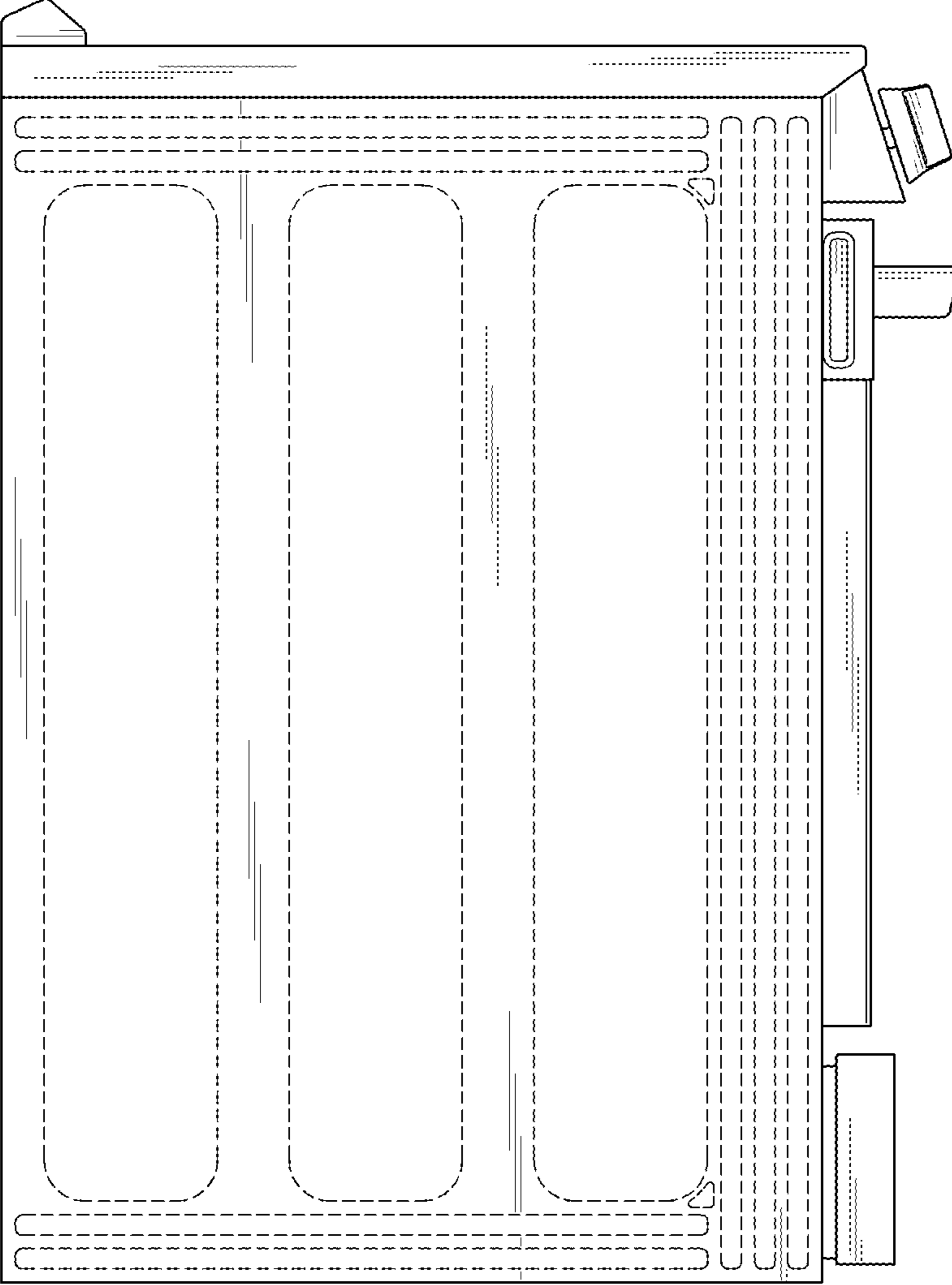
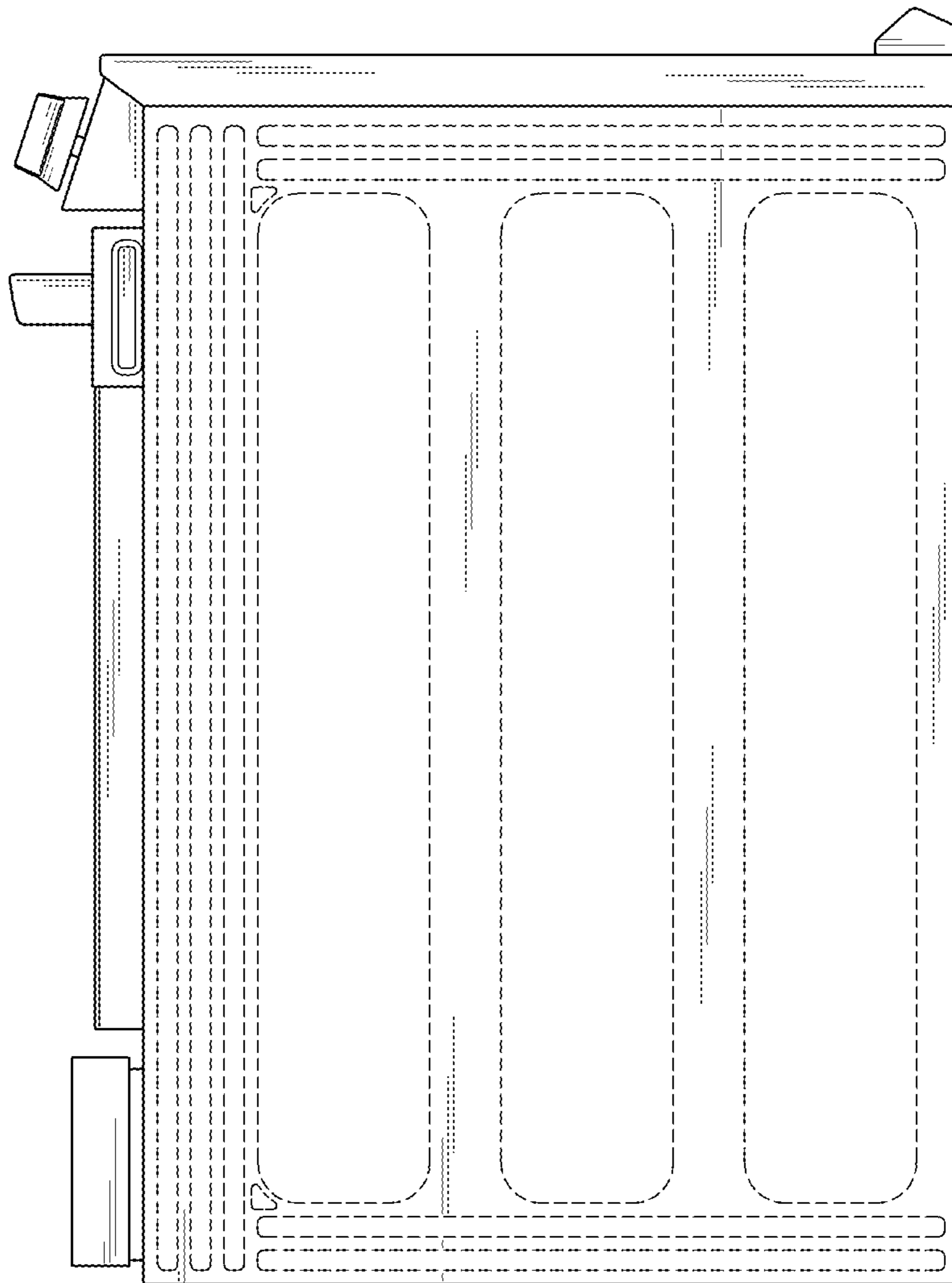


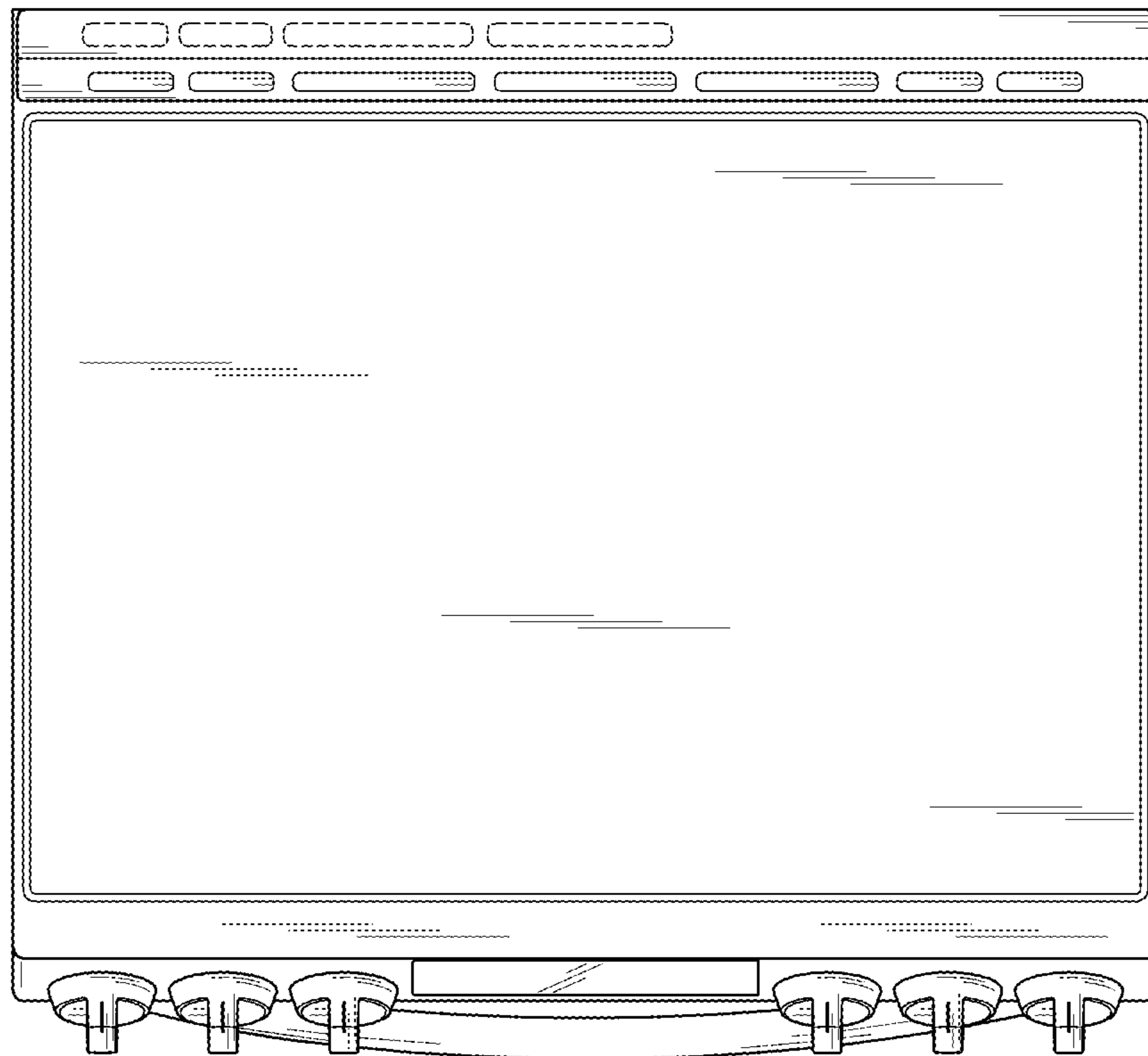
FIG. 4



*FIG. 5*



*FIG. 6*





*FIG. 7*

