



US00D949622S

(12) **United States Design Patent**
Ryu et al.

(10) **Patent No.:** **US D949,622 S**
(45) **Date of Patent:** **** Apr. 26, 2022**

(54) **OVEN RANGE**

(71) Applicant: **LG ELECTRONICS INC.**, Seoul (KR)

(72) Inventors: **Inhwan Ryu**, Seoul (KR); **Hongsik Kwon**, Seoul (KR); **Suhyeon Son**, Seoul (KR)

(73) Assignee: **LG ELECTRONICS INC.**, Seoul (KR)

(**) Term: **15 Years**

(21) Appl. No.: **29/752,849**

(22) Filed: **Sep. 29, 2020**

(30) **Foreign Application Priority Data**

Apr. 21, 2020 (KR) 30-2020-0017653

(51) **LOC (13) Cl.** **07-02**

(52) **U.S. Cl.**
USPC **D7/348**

(58) **Field of Classification Search**
USPC D7/323, 329, 339, 340, 341, 346, 347, D7/348, 350.1, 362, 365, 402, 405, 406, D7/407, 408; D21/523–525; D23/397, D23/402, 415
CPC A21B 2/00; A47J 37/00; A47J 37/0807; F24C 1/00; F24C 3/00; F24C 3/002; F24C 7/00; F24C 7/002; F24C 7/046; F24C 7/062; F24C 7/067; F24C 15/024; F24C 15/162; F24C 15/00; F24C 15/022; F24C 15/102

See application file for complete search history.

(56) **References Cited**

U.S. PATENT DOCUMENTS

D604,987 S * 12/2009 Jung D7/348
D755,008 S * 5/2016 Kim D7/406
D755,009 S * 5/2016 Kim D7/406

D763,616 S * 8/2016 Kim D7/339
D767,325 S * 9/2016 Funnell, II D7/346
D787,257 S * 5/2017 Kim D7/339
D788,512 S * 6/2017 Kim D7/346
D788,513 S * 6/2017 Chung D7/346
D793,150 S * 8/2017 Lee D7/346

(Continued)

FOREIGN PATENT DOCUMENTS

CA 160364 * 8/2015

OTHER PUBLICATIONS

LG Electric Convection Range, posted at Amazon.com on Oct. 3, 2015, [site visited Jan. 24, 2022]. Available from internet, URL: <<https://www.amazon.com/LG-LSE4613ST-Stainless-Electric-Smoothtop/dp/B0164BQGH4/>> (Year: 2015).*

(Continued)

Primary Examiner — Andrew Kerr

Assistant Examiner — Chariton Alexakis

(74) *Attorney, Agent, or Firm* — Birch, Stewart, Kolasch & Birch, LLP

(57) **CLAIM**

We claim the ornamental design for an oven range, as shown and described.

DESCRIPTION

FIG. 1 is a perspective view of an oven range showing our new design:

FIG. 2 is a front elevation view thereof;

FIG. 3 is a rear elevation view thereof;

FIG. 4 is a left-side elevation view thereof;

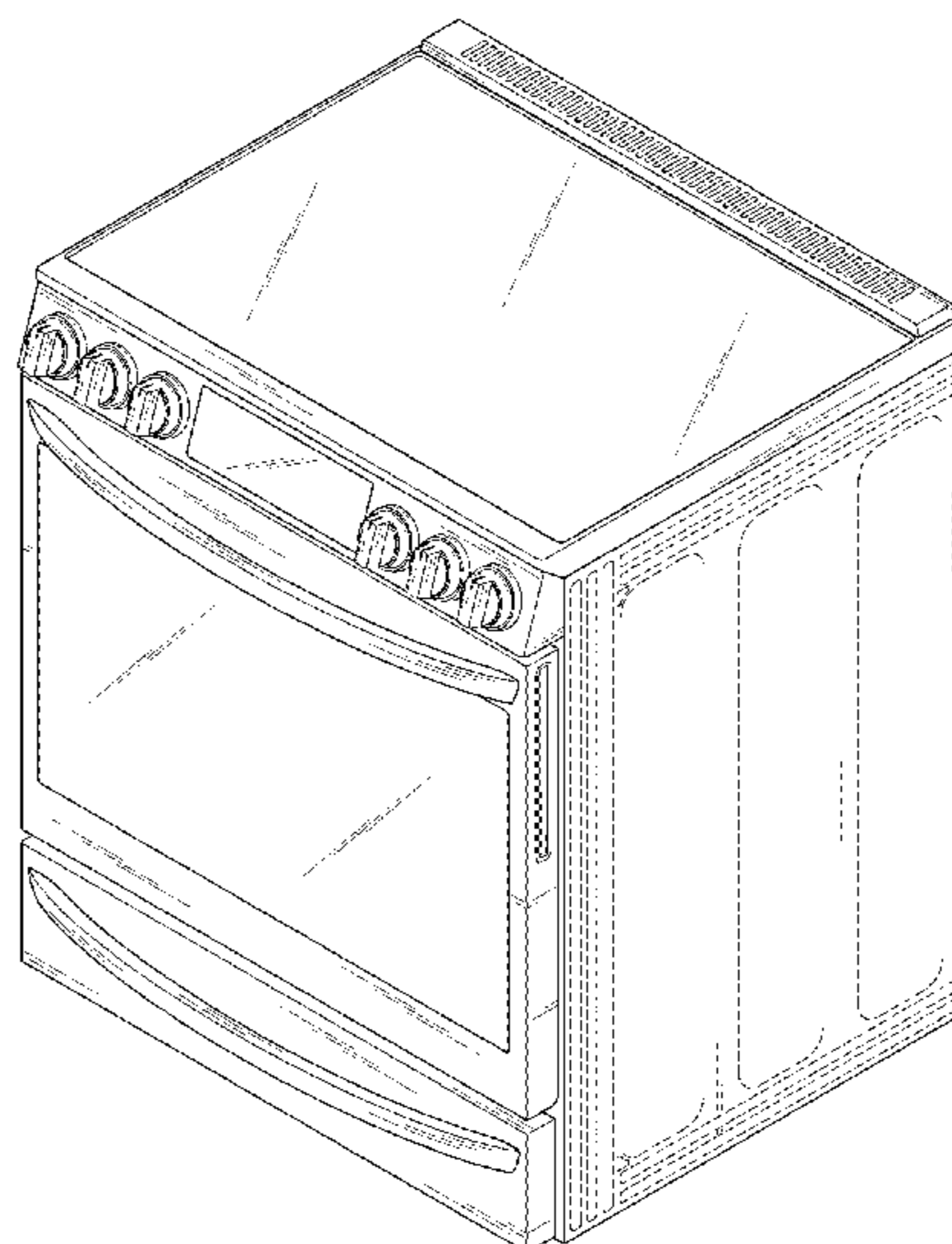
FIG. 5 is a right-side elevation view thereof;

FIG. 6 is a top plan view thereof; and,

FIG. 7 is a bottom plan view thereof.

The broken lines represent portions of the oven range that form no part of the claimed design.

1 Claim, 7 Drawing Sheets



(56)

References Cited

U.S. PATENT DOCUMENTS

D805,832 S * 12/2017 Kim D7/346
D814,229 S * 4/2018 Hu D7/340
D816,386 S * 5/2018 Kim D7/340
D859,071 S * 9/2019 Chavez D7/405
D918,640 S * 5/2021 Ryu D7/340
D929,789 S * 9/2021 Han D7/340
2019/0170364 A1 * 6/2019 Ha F24C 7/086

OTHER PUBLICATIONS

Frigidaire Gallery Series Induction Range, posted at Amazon.com on Feb. 29, 2020, [site visited Jan. 24, 2022]. Available from internet, URL: <<https://www.amazon.com/Frigidaire-Gallery-Stainless-Control-Electric/dp/B07YNYHVCP/>> (Year: 2020).*

* cited by examiner

FIG. 1

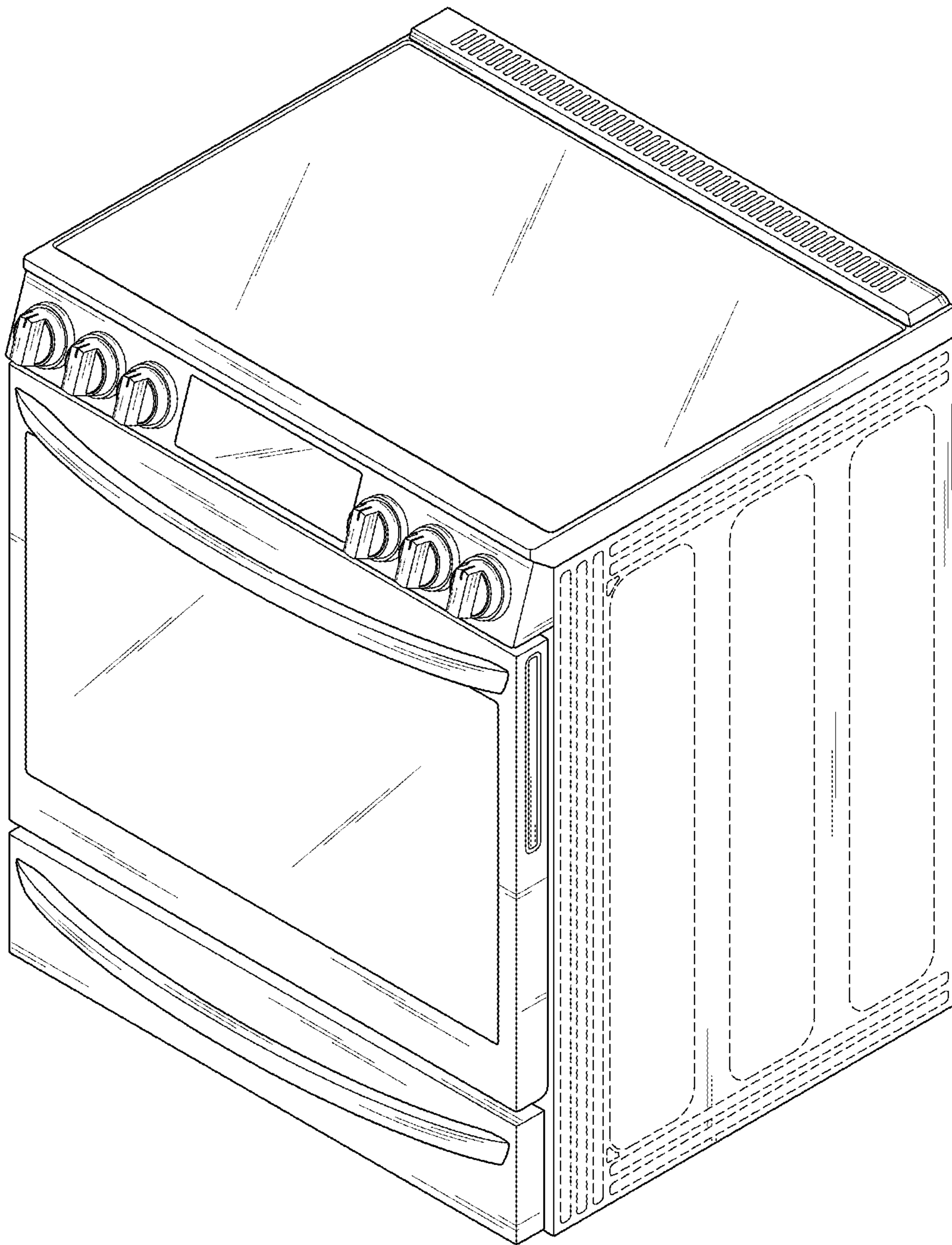


FIG. 2

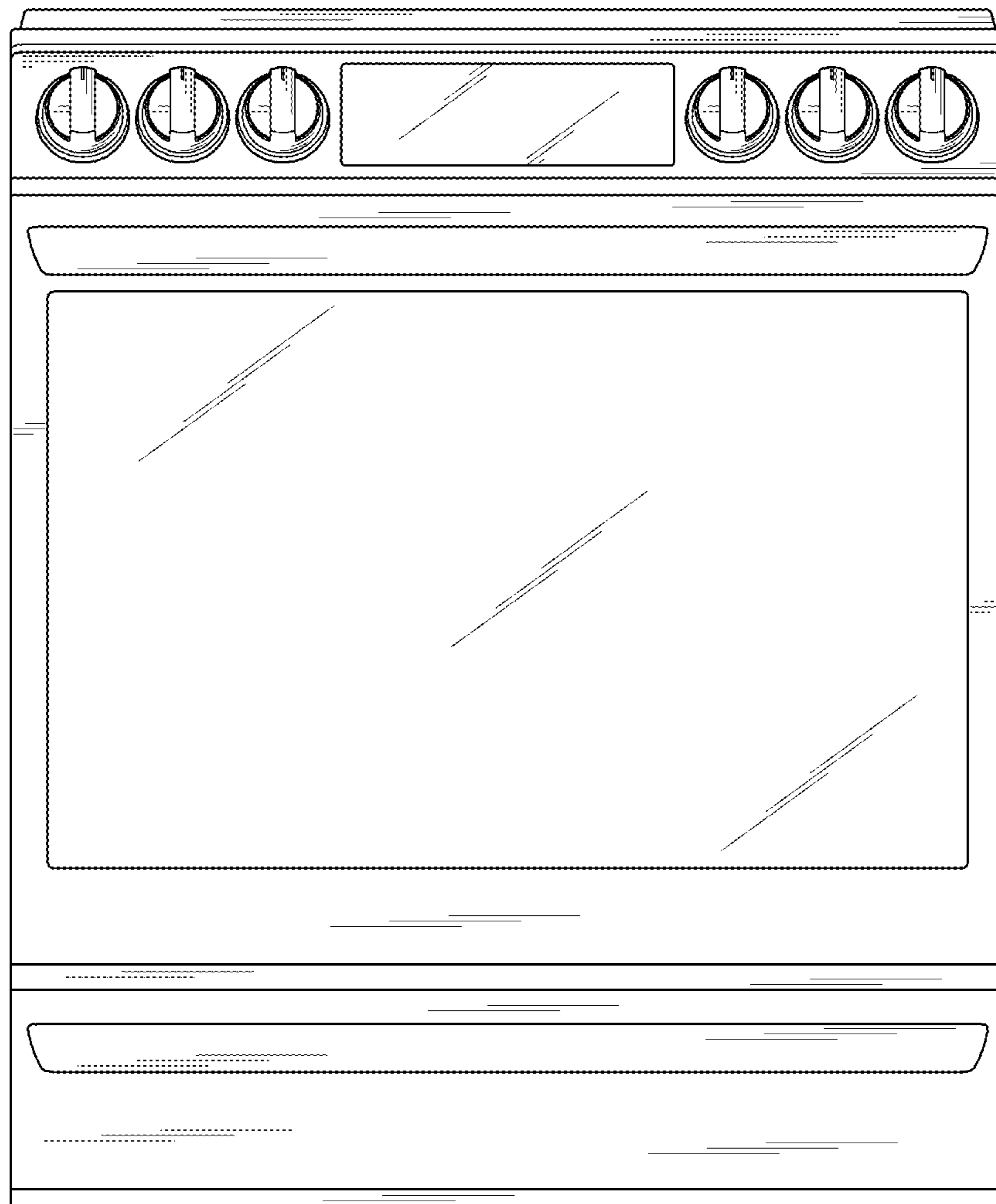


FIG. 3

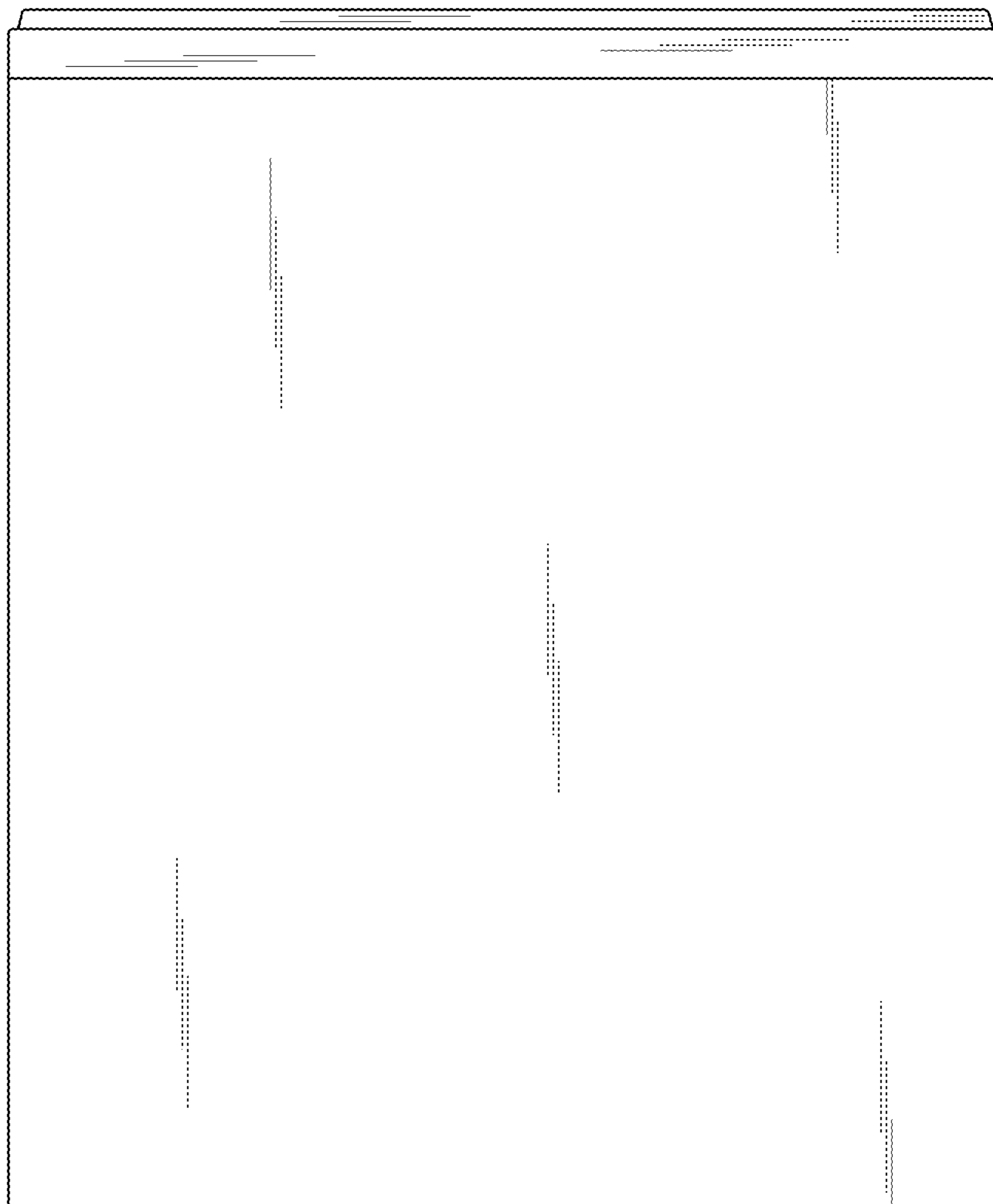


FIG. 4

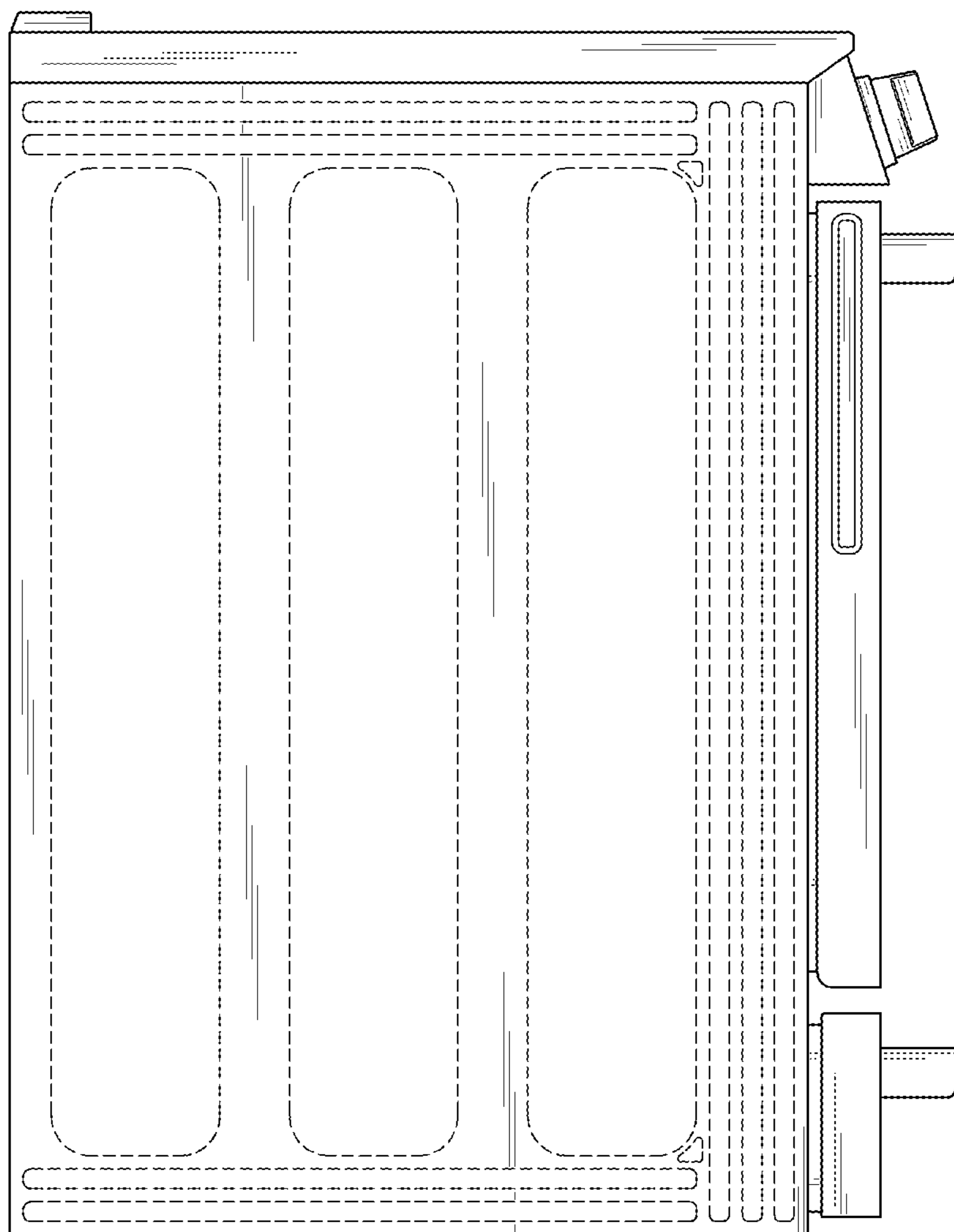


FIG. 5

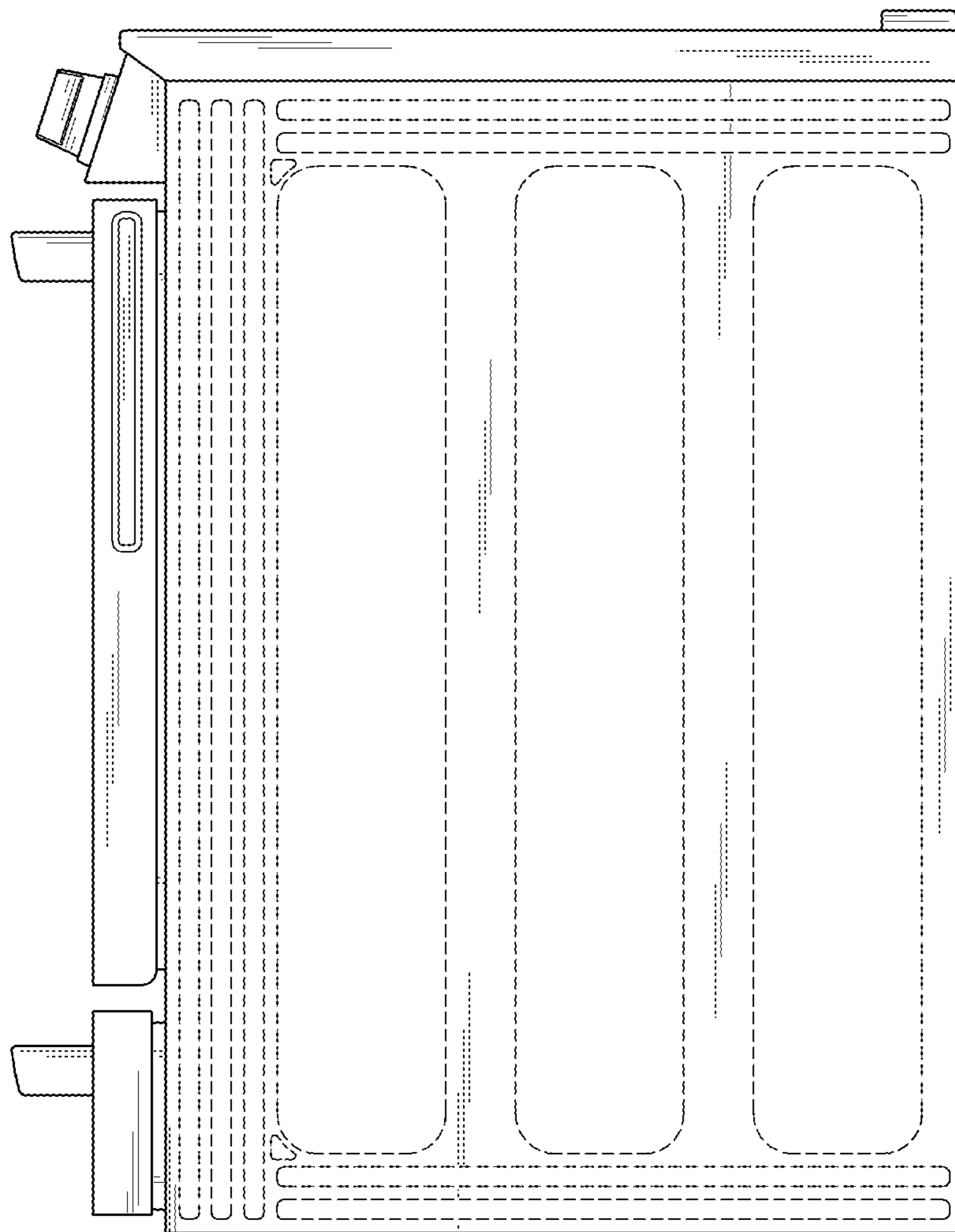


FIG. 6

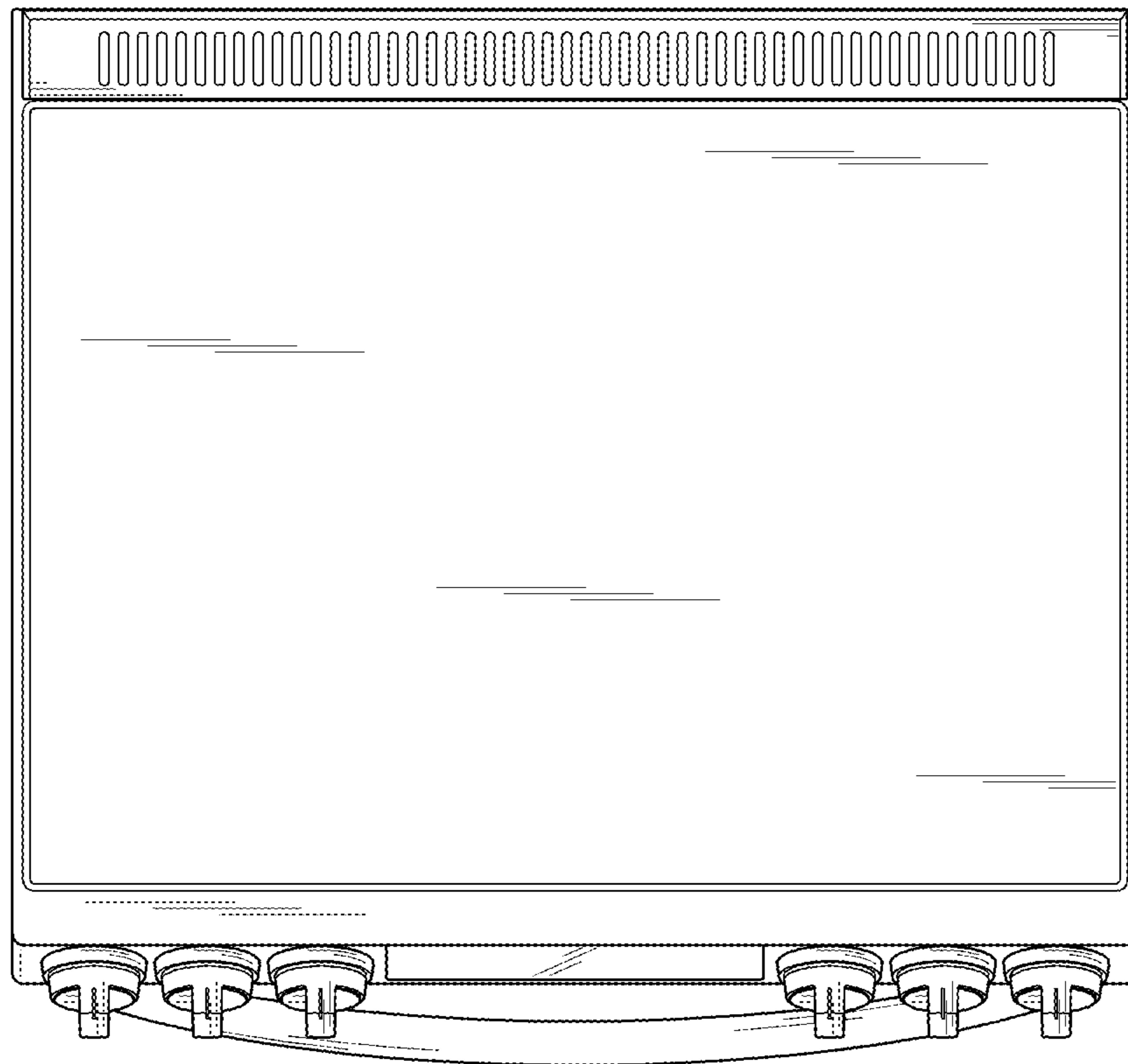


FIG. 7

