

US00D949619S

(12) **United States Design Patent**
Bodum

(10) **Patent No.:** **US D949,619 S**

(45) **Date of Patent:** **** Apr. 26, 2022**

(54) **GRILL**

(71) Applicant: **PI-Design AG**, Triengen (CH)

(72) Inventor: **Jorgen Bodum**, Meggen (CH)

(73) Assignee: **PI-DESIGN AG**, Triengen (CH)

(**) Term: **15 Years**

(21) Appl. No.: **29/732,785**

(22) Filed: **Apr. 28, 2020**

(30) **Foreign Application Priority Data**

Dec. 30, 2019 (WO) WIPO90705

(51) **LOC (13) Cl.** **07-02**

(52) **U.S. Cl.**
USPC **D7/337; D7/352**

(58) **Field of Classification Search**
USPC D23/314, 332, 335, 339, 343, 345;
D7/323, 332, 334, 339, 347, 362, 363,
D7/387, 402, 403, 405, 408, 409, 352;
D8/315

CPC A47J 2202/00; A47J 27/00; A47J 36/00;
A47J 36/26; A47J 37/00; A47J 37/04;
A47J 37/0623; A47J 37/0647; A47J
37/07; A47J 37/0704; A47J 37/0611;
A47J 37/06; F24B 1/00; F24B 3/00;
F24C 1/00; F24C 15/36; F24C 3/002;
F24C 3/022

See application file for complete search history.

(56) **References Cited**

U.S. PATENT DOCUMENTS

D213,931 S * 4/1969 Bardeau D7/352
D232,012 S * 7/1974 Bardeau D7/352
6,615,706 B1 * 9/2003 Wu A47J 37/0611
99/331
D622,538 S * 8/2010 Hoare D7/352
D632,126 S * 2/2011 Tetreault D7/352
D811,155 S * 2/2018 De' Longhi D7/352

D824,199 S * 7/2018 Liu D7/352
D831,406 S * 10/2018 Corlay D7/352
D853,172 S * 7/2019 De' Longhi D7/352
2005/0139086 A1 * 6/2005 McHutchison A47J 37/0611
99/389

(Continued)

FOREIGN PATENT DOCUMENTS

CN 306037712 * 9/2020
CN 306037713 * 9/2020

(Continued)

OTHER PUBLICATIONS

Ovente Electric Indoor Panini Press Grill [online] URL: <https://www.walmart.com/ip/Ovente-Electric-Indoor-Panini-Press-Grill-Non-Stick-Double-Flat-Cooking-Plate-Removable-Drip-Tray-Countertop-Sandwich-Maker-Toaster-Easy-Storage-Clean/388327472> (site visited: Nov. 2, 2021) (Year: 2020).*

(Continued)

Primary Examiner — Jae Liang
Assistant Examiner — Tia Ruth-Renee Polidori
(74) *Attorney, Agent, or Firm* — McDonnell Boehnen
Hulbert & Berghoff LLP

(57) **CLAIM**

The ornamental design for a grill, as shown and described.

DESCRIPTION

FIG. 1 is a perspective view of a grill showing my new design;

FIG. 2 is a front view thereof;

FIG. 3 is a rear view thereof;

FIG. 4 is a left side view thereof;

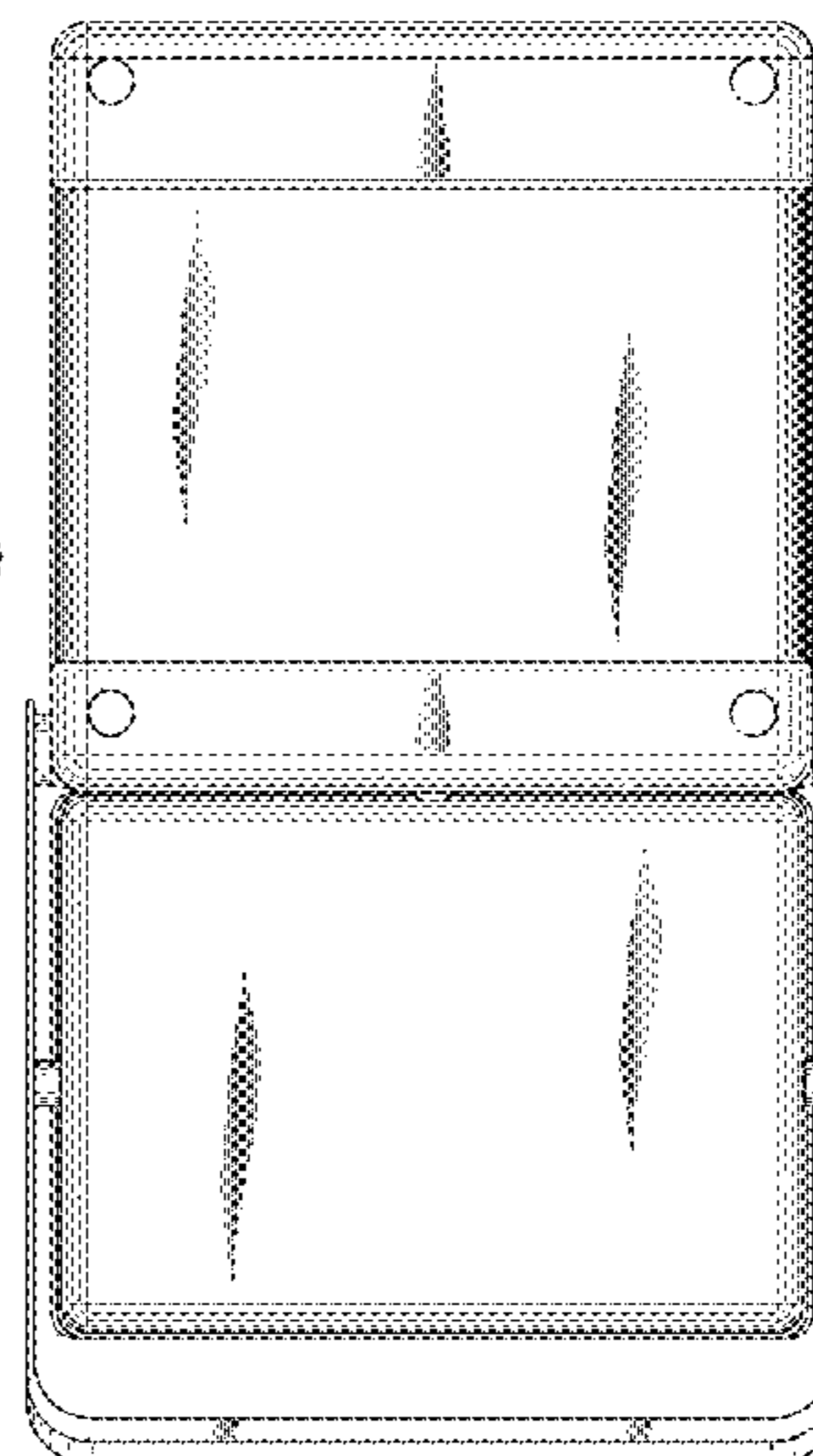
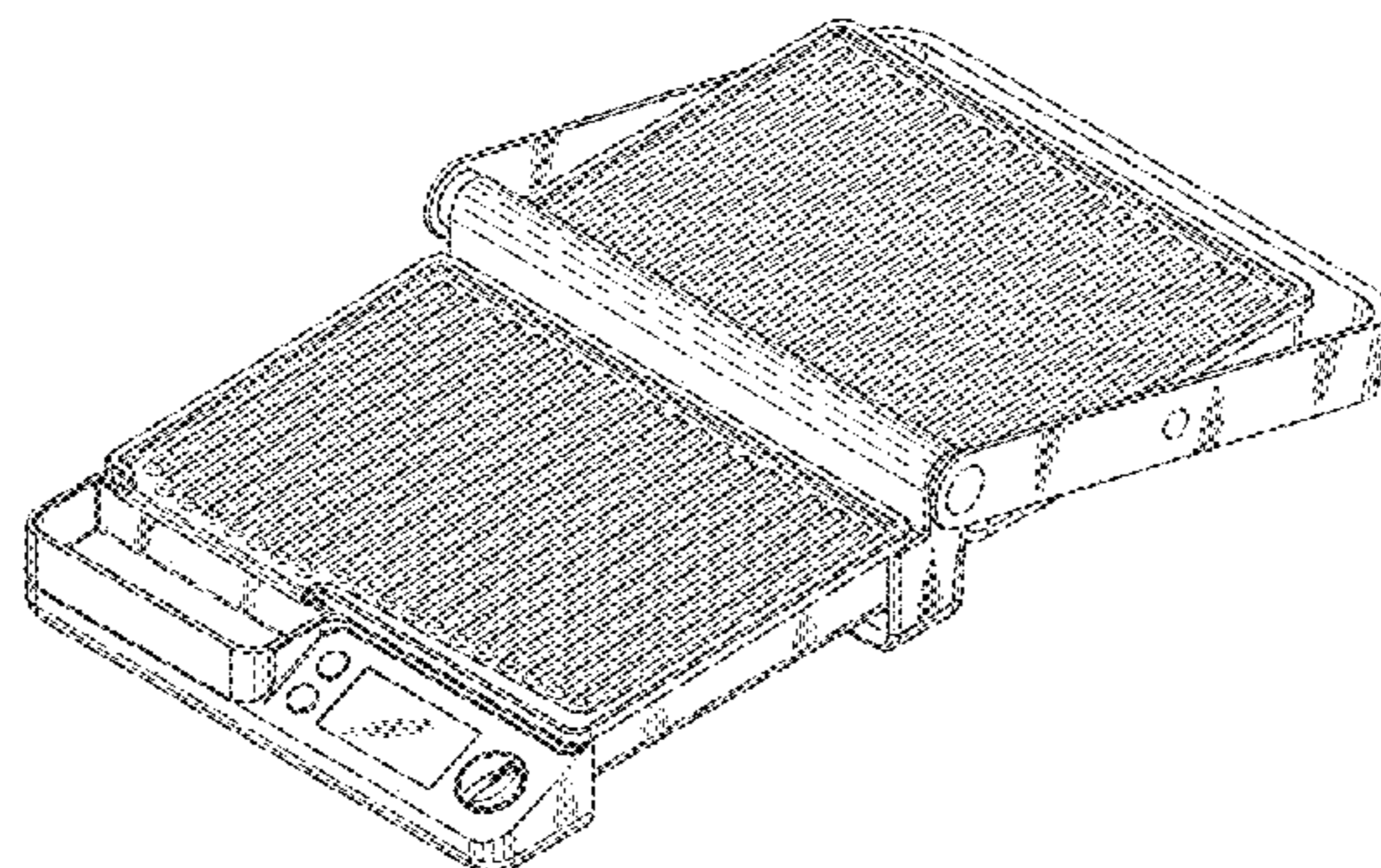
FIG. 5 is a right side view thereof;

FIG. 6 is a top view thereof; and,

FIG. 7 is a bottom view thereof.

The broken lines in the drawings depict portions of the grill that form no part of the claimed design.

1 Claim, 7 Drawing Sheets



(56)

References Cited

U.S. PATENT DOCUMENTS

2007/0017384 A1* 1/2007 Serra A47J 37/0611
99/372

2008/0257170 A1* 10/2008 Ho A47J 37/0611
99/378

2008/0307976 A1* 12/2008 Lin A47J 37/0611
99/337

2009/0145418 A1* 6/2009 Lee A47J 37/0611
126/20

2009/0223381 A1* 9/2009 Liu A47J 37/0611
99/372

2009/0308260 A1* 12/2009 Trost A47J 37/0611
99/349

2010/0275788 A1* 11/2010 Wu A47J 37/0611
99/377

2010/0319550 A1* 12/2010 Wu A47J 37/0611
99/380

2012/0137895 A1* 6/2012 Chen A47J 37/0611
99/351

2012/0152126 A1* 6/2012 Robinson A47J 37/0611
99/331

2013/0152802 A1* 6/2013 Li A47J 37/0611
99/425

2014/0033931 A1* 2/2014 Chen A47J 37/0611
99/351

2014/0165850 A1* 6/2014 Smith B23P 11/00
99/390

2014/0305317 A1* 10/2014 Zheng A47J 37/0611
99/372

2014/0352553 A1* 12/2014 Guckenberger A47J 37/0611
99/390

2015/0033953 A1* 2/2015 Fung A47J 37/0611
99/377

2015/0144007 A1* 5/2015 Li A47J 37/0611
99/372

2015/0230659 A1* 8/2015 Hoare A47J 37/0611
99/375

2015/0257592 A1* 9/2015 Garman A47J 37/0611
219/450.1

2016/0015212 A1* 1/2016 Yang A47J 37/0611
99/379

2016/0206148 A1* 7/2016 Sawhney A47J 37/0611

2017/0215639 A1* 8/2017 Chang A47J 37/041

2017/0290101 A1* 10/2017 Hawkins H05B 3/68

2018/0020872 A1* 1/2018 Chen A47J 37/0611
99/372

2018/0353006 A1* 12/2018 Yan A47J 37/0611

2019/0183287 A1* 6/2019 Yang A47J 37/0676

2019/0200803 A1* 7/2019 Chuang A47J 37/0676

2019/0208945 A1* 7/2019 Meier A23L 27/00

2020/0069112 A1* 3/2020 Buening A47J 27/002

FOREIGN PATENT DOCUMENTS

GB 8205564000-1000 * 12/2019

GB 8205564000-2000 * 12/2019

JP D1673059 * 11/2020

JP D1673075 * 11/2020

JP D1673076 * 11/2020

KR 3010926360002 * 1/2021

RU 00124152 * 3/2021

WO WOD202673-001 * 1/2020

WO WOD205564-001 * 7/2020

WO WOD205564-002 * 7/2020

OTHER PUBLICATIONS

China New Dual Serving Nonstick Electric Grill, Panini Press Grill [online] URL: <https://heater-aircooler.en.made-in-china.com/product/jsaQCgyKGdcb/China-New-Dual-Serving-Nonstick-Electric-Grill-Panini-Press-Grill-Sandwich-Maker.html> (site visited: Nov. 2, 2021) (Year: 2021).*

Total Package 6-in-1 Grill—Yedi Houseware Appliances [online] URL: <https://www.yedihousewareappliances.com/shop/total-package-6-in-1-grill-waffle-maker-griddle-panini-press-with-deluxeaccessory-kit> (site visited: Nov. 2, 2021) (Year: 2021).*

PI-Design AG, U.S. Appl. No. 29/732,786, filed Apr. 28, 2020.

Office Action for U.S. Appl. No. 29/732,786, dated Nov. 9, 2021.

* cited by examiner

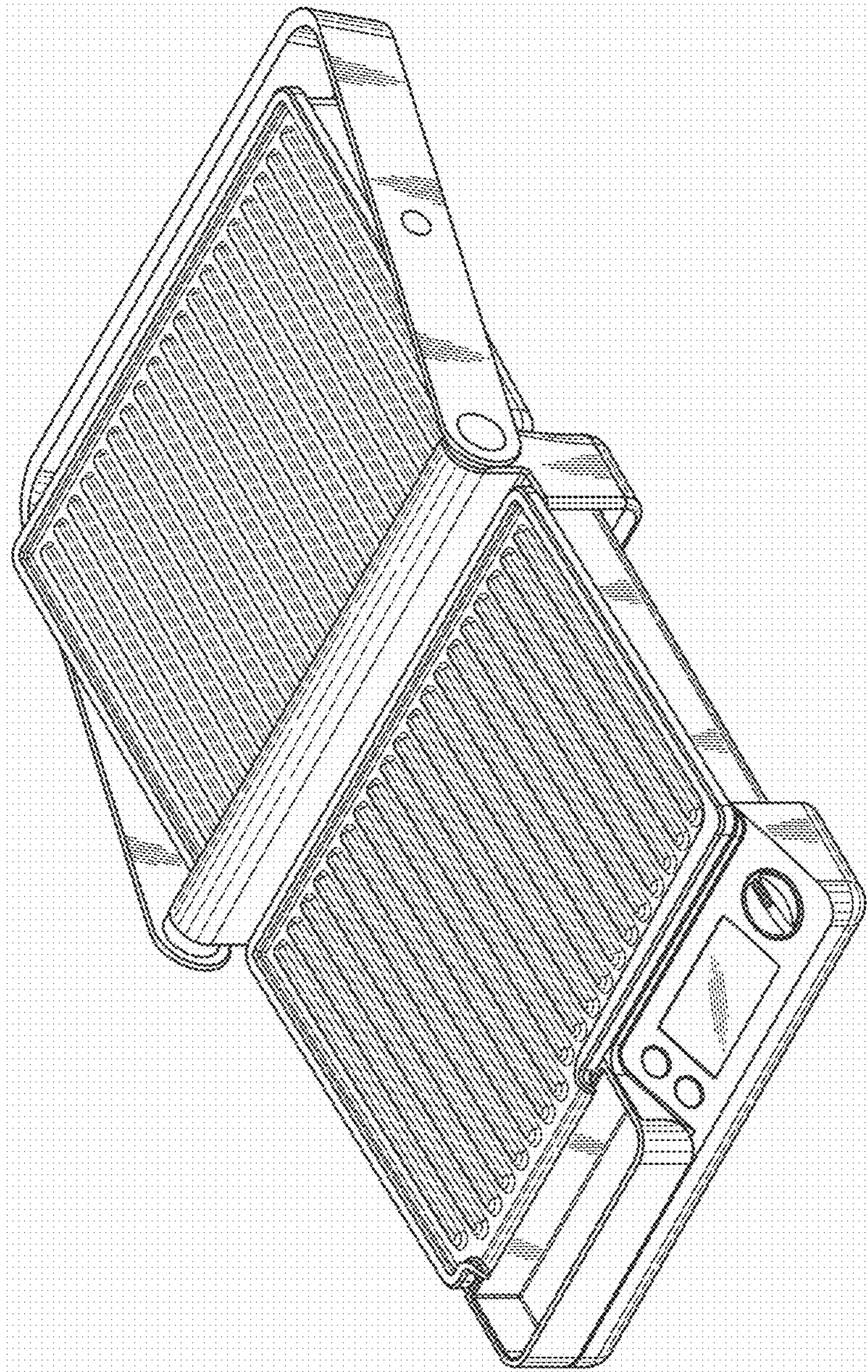


FIG. 1

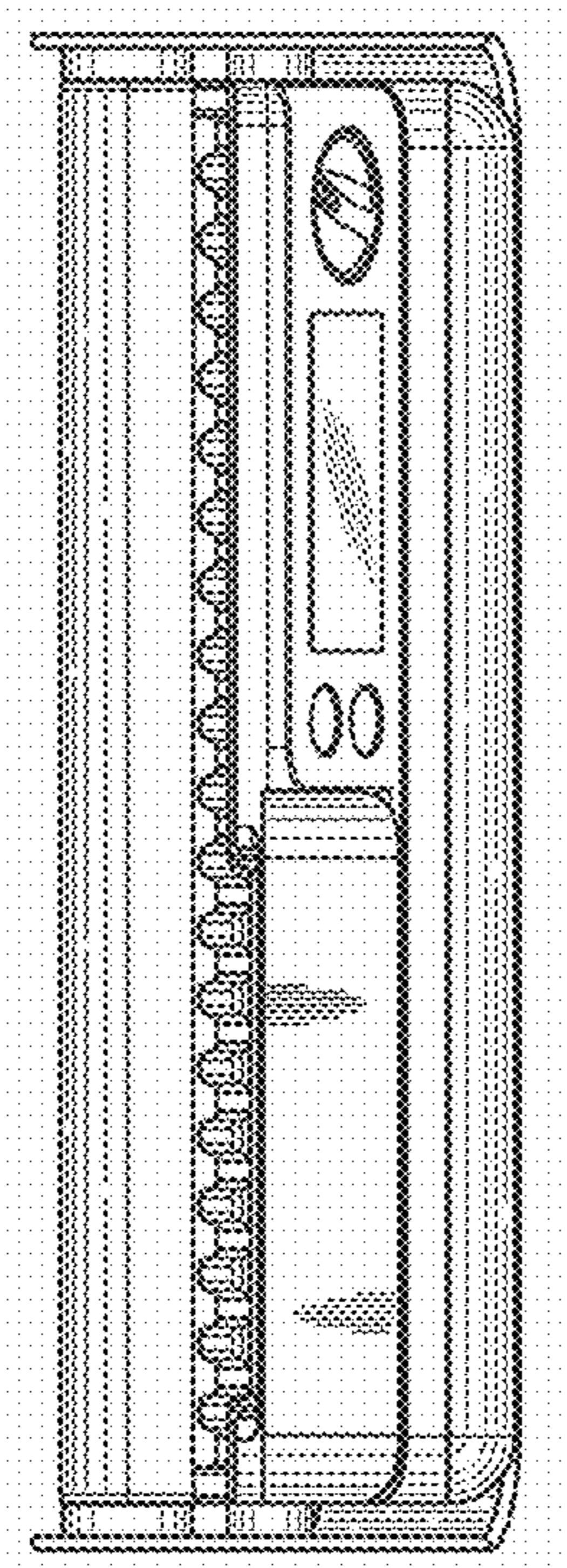


FIG. 2

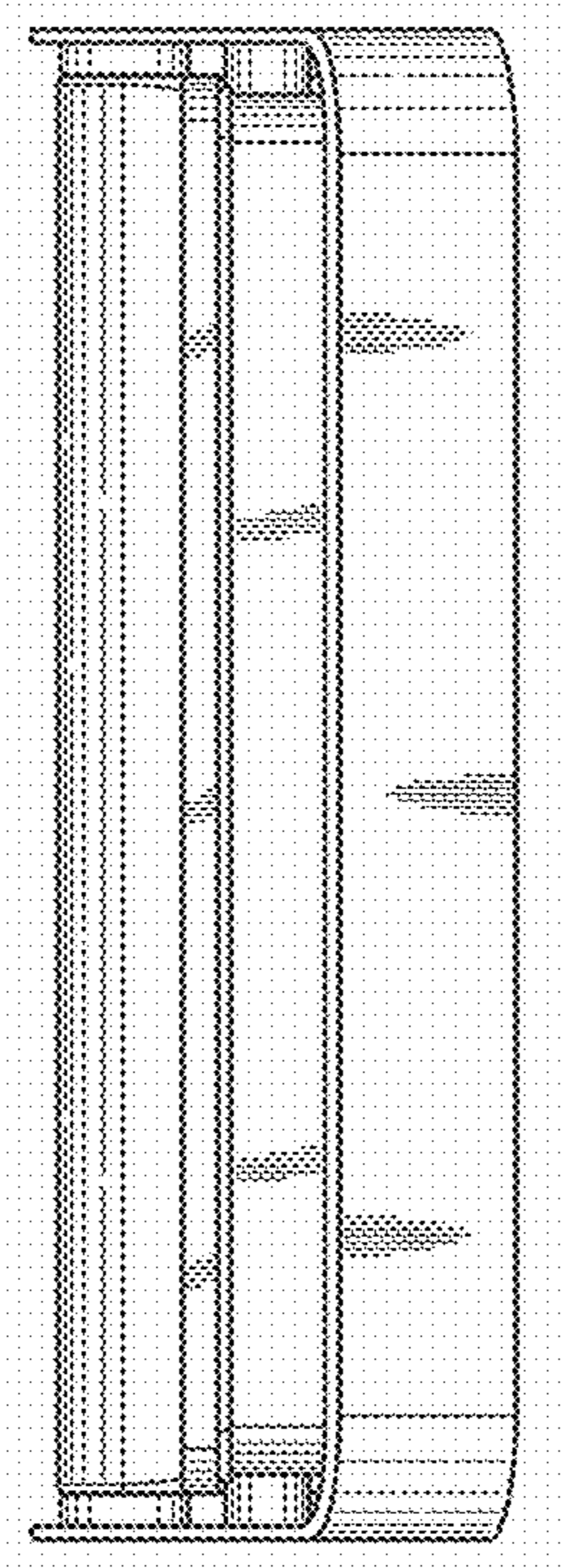


FIG. 3

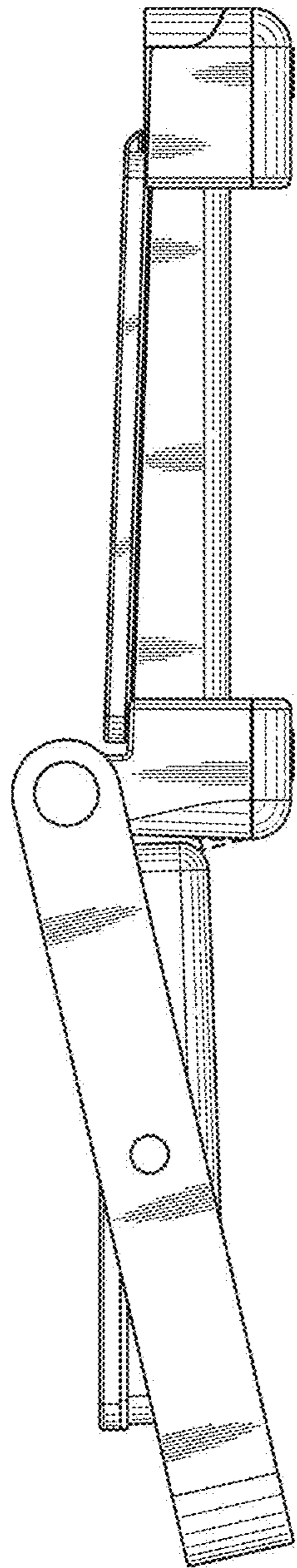


FIG. 4

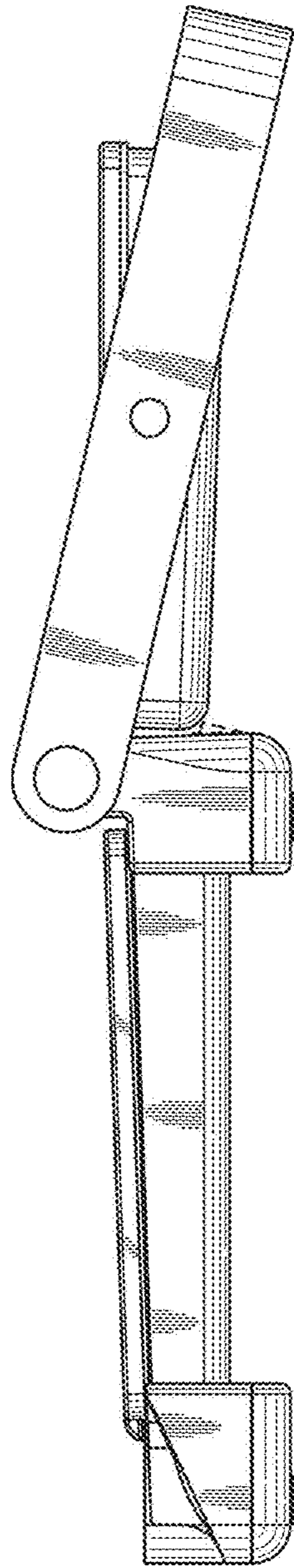


FIG. 5

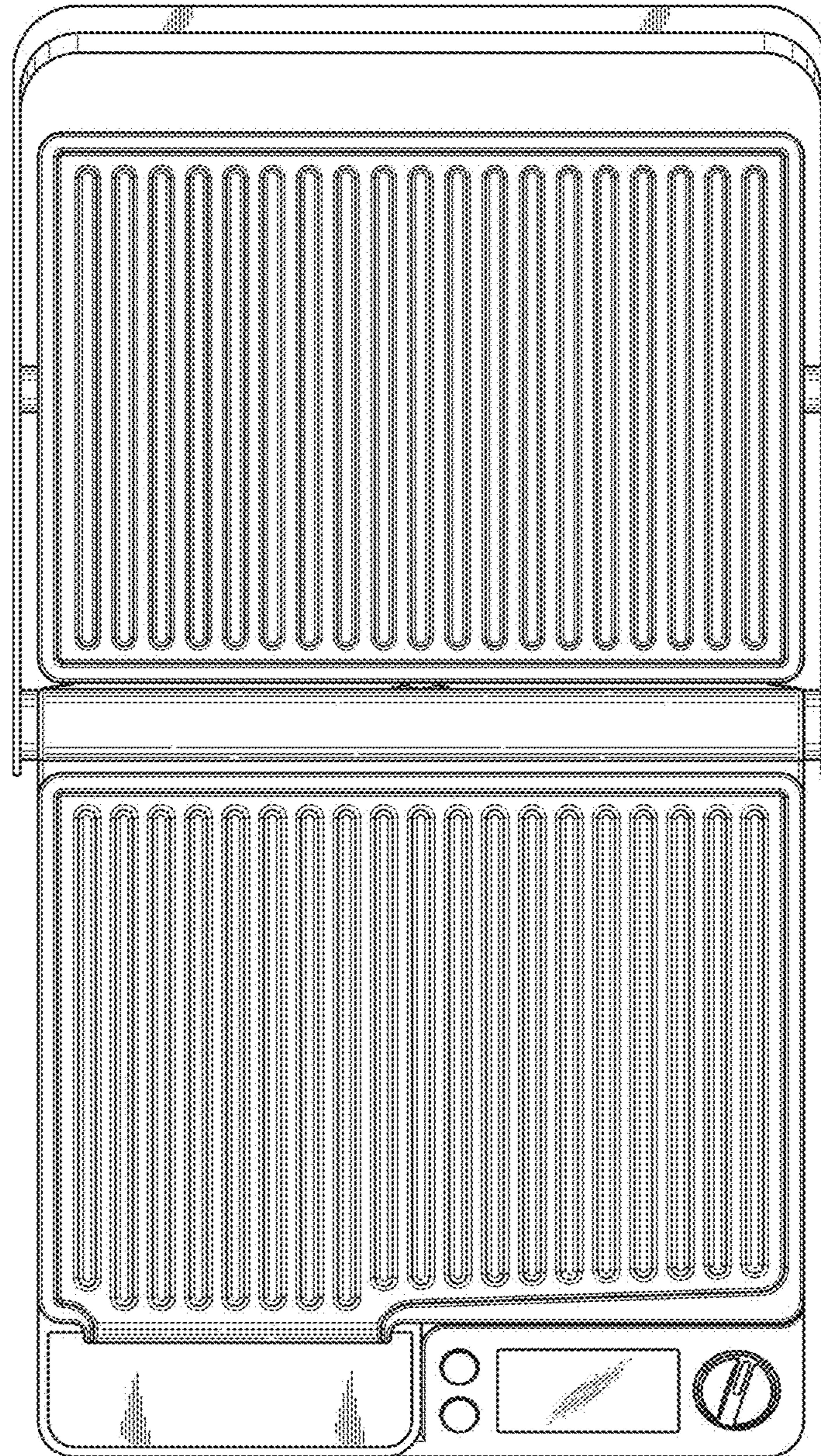


FIG. 6

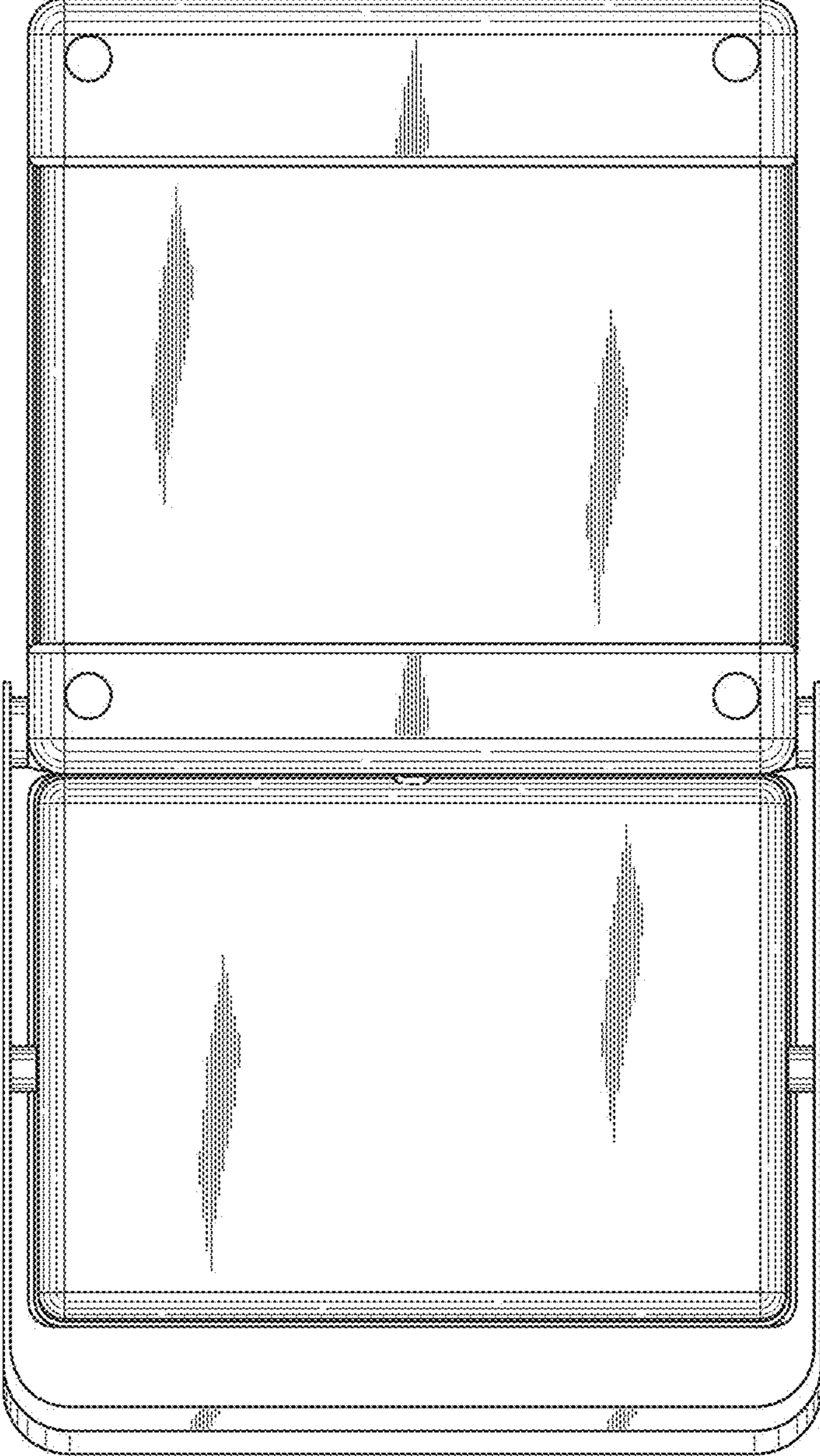


FIG. 7