



US00D949618S

(12) **United States Design Patent** (10) **Patent No.:** **US D949,618 S**
Bodum (45) **Date of Patent:** **** Apr. 26, 2022**

(54) **COFFEE MAKER**

(71) Applicant: **PI-Design AG**, Triengen (CH)
(72) Inventor: **Jorgen Bodum**, Meggen (CH)
(73) Assignee: **PI-DESIGN AG**, Triengen (CH)
(**) Term: **15 Years**

(21) Appl. No.: **29/730,469**
(22) Filed: **Apr. 3, 2020**

(30) **Foreign Application Priority Data**

Dec. 16, 2019 (WO) WIPO90253

(51) **LOC (13) Cl.** **07-01**

(52) **U.S. Cl.**
USPC **D7/319**; D7/317

(58) **Field of Classification Search**
USPC D7/300–303, 305, 306, 309, 310, 312,
D7/316–322, 373, 376, 394, 396.2, 378,
D7/397–399, 413, 415, 505, 507,
D7/509–511, 514, 536, 540, 550.1, 508,
D7/600, 608; D10/46.2; D9/524, 526,
D9/527

CPC A47G 19/12; A47G 19/14; A47G 19/145;
A47G 19/16; A47G 19/22; A47J 31/00;
A47J 31/005; A47J 31/0636; A47J 31/14;
A47J 31/18; A47J 31/20; A47J 31/38;
A47J 31/54; A47J 31/542; A47J 27/21;
A47J 27/21008; A47J 27/21041; A47J
27/2105; A47J 27/21066; A47J 27/21083;
A47J 43/0722; A47J 41/00; A47J
41/0027; A47J 41/0094; A47J 41/02;
B65D 23/06; B65D 25/2802; B65D
25/42; B01F 7/00275

See application file for complete search history.

(56) **References Cited**

U.S. PATENT DOCUMENTS

460,979 A * 10/1891 Mitchell A47J 31/54
392/445
868,187 A * 10/1907 Ives A47J 31/053
99/312

(Continued)

FOREIGN PATENT DOCUMENTS

CN 301613063 * 7/2011
CN 305883592 * 6/2020

(Continued)

OTHER PUBLICATIONS

Bigkitchen, “BonJour Coffee Stainless Steel French Press with Glass Carafe,” Oct. 2, 2001, Amazon.com, www.amazon.com/BonJour-Coffee-Stainless-French-33-8-Ounce/dp/B00004R8Y2 (Year: 2001).*

(Continued)

Primary Examiner — Joseph Kukella
Assistant Examiner — Arva P Adams
(74) *Attorney, Agent, or Firm* — McDonnell Boehnen Hulbert & Berghoff LLP

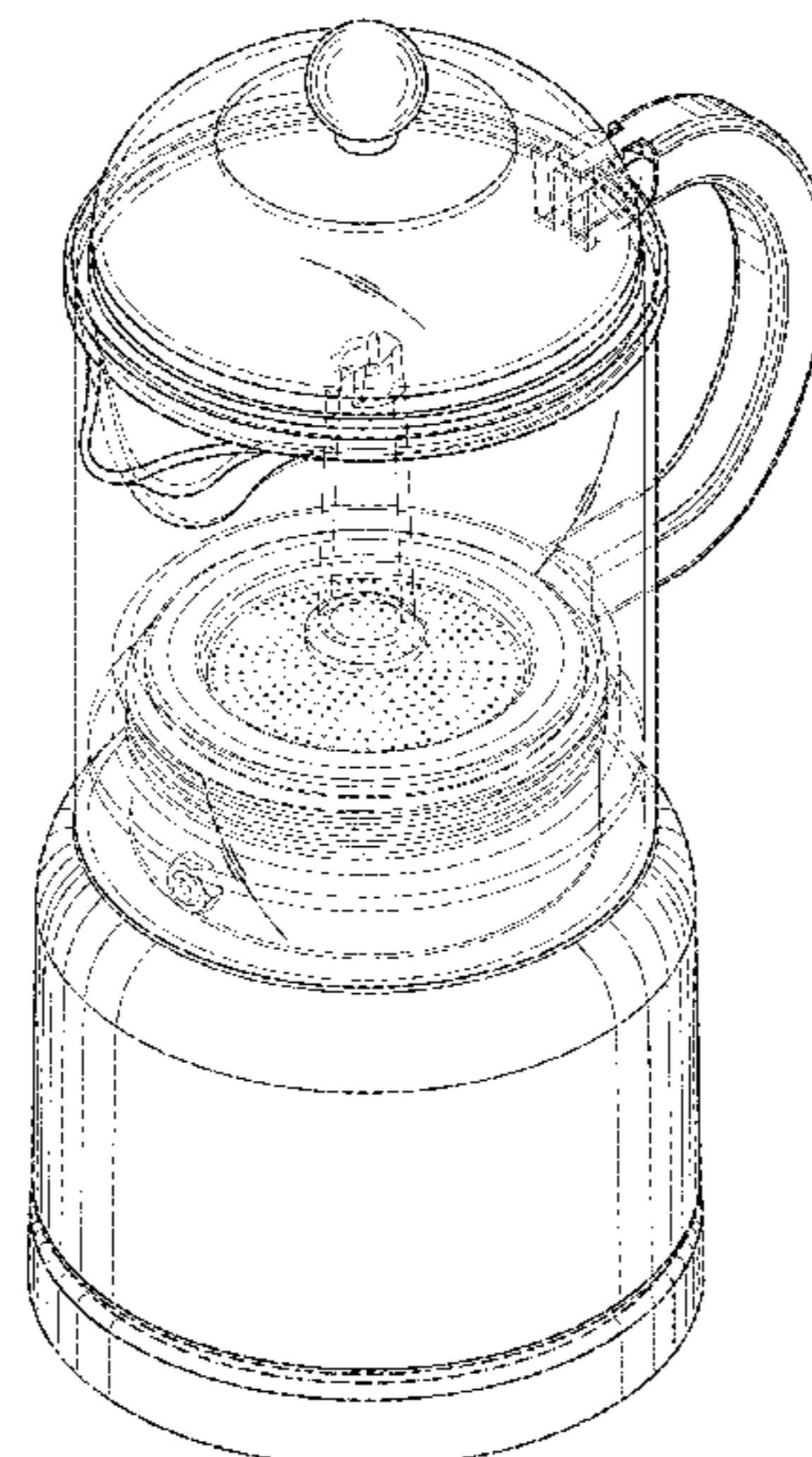
(57) **CLAIM**

The ornamental design for a coffee maker, as shown and described.

DESCRIPTION

FIG. 1 is a perspective view of a coffee maker showing my new design;
FIG. 2 is a front view thereof;
FIG. 3 is a rear view thereof;
FIG. 4 is a left side view thereof;
FIG. 5 is a right side view thereof;
FIG. 6 is a top view thereof; and,
FIG. 7 is a bottom view thereof.
The broken lines in the drawings depict portions of the coffee maker that form no part of the claimed design.

1 Claim, 7 Drawing Sheets



(56)

References Cited

U.S. PATENT DOCUMENTS

D123,477 S * 11/1940 Feltman A47J 31/005
D7/378
D142,710 S * 10/1945 Ferris A47J 31/20
D7/321
4,365,544 A * 12/1982 Howitt A47J 31/20
99/297
D343,760 S * 2/1994 Lin D7/316
5,570,623 A * 11/1996 Lin A47J 31/20
99/285
D378,261 S * 3/1997 Jørgensen D7/318
D405,641 S * 2/1999 Brady A47J 31/20
D7/319
6,079,316 A * 6/2000 Barden A47J 31/20
150/901
D439,791 S * 4/2001 Vignao' D7/305
D441,248 S * 5/2001 Brady D7/317
D449,957 S * 11/2001 Yeh D7/317
D475,568 S * 6/2003 Bodum D7/317
D500,626 S * 1/2005 Ranzoni D7/317
D502,358 S * 3/2005 Weaden D7/378
D556,506 S * 12/2007 Spagnolo A47J 31/20
D7/378
D568,667 S * 5/2008 Appleton D7/317
D584,570 S * 1/2009 Bodum A47J 31/20
D7/319
D588,857 S * 3/2009 Bodum D7/317
D598,696 S * 8/2009 Bodum D7/317
D611,288 S * 3/2010 Bodum A47J 31/54
D7/305
D612,660 S * 3/2010 Bodum A47J 43/085
D7/319
D628,846 S * 12/2010 Bodum B01F 7/00275
D7/319
D745,302 S * 12/2015 Anglada D7/305
D749,893 S * 2/2016 Bazzicalupo D7/378
D782,866 S * 4/2017 Suess D7/378
D829,042 S * 9/2018 Duan D7/378
D896,566 S * 9/2020 Wang D7/378
D903,401 S * 12/2020 Koszylko D7/386
2003/0047081 A1 * 3/2003 McGonagle A47J 31/20
99/279
2014/0072684 A1 * 3/2014 Madden A47J 31/005
426/431
2016/0058237 A1 * 3/2016 D'Errico B01F 7/00275
366/266
2019/0090694 A1 * 3/2019 Wu A47J 43/085

FOREIGN PATENT DOCUMENTS

CN 306219911 * 12/2020
JP D1564369 * 11/2016
JP D1578086 * 6/2017
WO WO-D094953-001 * 3/2017
WO WO-D205375-001 * 6/2020
WO WO-D205375-002 * 6/2020

OTHER PUBLICATIONS

Chef'sChoice, "Chef'sChoice Electric French Press," Mar. 10, 2004, Amazon.com, www.amazon.com/gp/product/B00005CDPY (Year: 2004).*

Bodum, "Bodum Chambord French Press Coffee Maker," Feb. 19, 2009, Amazon.com, www.amazon.com/Bodum-Chambord-French-Coffee-Chrome/dp/B00005LM0T (Year: 2009).*

Redditfavorites.com, "What is reddit's opinion of Bodum Chambord Hotel 8 Cup Stainless Steel French Press Coffeemaker, 1.0 l, 34-Ounce.?", Mar. 14, 2014, <https://redditfavorites.com/products/bodum-chambord-hotel-8-cup-stainless-steel-french-press-coffeemaker-1-0-l-34-ounce> (Year: 2014).*

Mariam.deambrogio, "Instruction Manual: Blender," Aug. 20, 2015, Smeg, pp. 1, 2, 8, 10-16 (Year: 2015).*

Redditfavorites.com, "What is reddit's opinion of Waring Commercial BB900S ½ HP Chrome Bar Blender with 32-Ounce Stainless Steel Container, 1-Quart?", Dec. 29, 2015, <https://redditfavorites.com/products/waring-commercial-bb900s-1-2-hp-chrome-bar-blender-with-32-ounce-stainles> (Year: 2015).*

Russell Hobbs, "Russell Hobbs KE5550RDR Retro Style 1.7L Electric Kettle," Aug. 18, 2017, Amazon.com, www.amazon.com/dp/B074XR43G4 (Year: 2017).*

Consumer Product Safety Commission, "Bodum Recalls Stove Top Espresso Makers Due to Fire and Burn Hazards," Apr. 23, 2019, Consumer Product Safety Commission, www.cpsc.gov/Recalls/2019/Bodum-Recalls-Stove-Top-Espresso-Makers-Due-to-Fire-and-Burn-Hazards (Year: 2019).*

Grosche, "Grosche Milano Steel 10 Cup Stainless Steel Stovetop Espresso Maker Moka Pot," Nov. 26, 2019, Amazon.com.au, www.amazon.com.au/GROSCHE-Milano-Stainless-Stovetop-Espresso/dp/B0821TCG69 (Year: 2019).*

Kalorik, "Kalorik Bartista French Press Coffee Maker Milk Frother 6 in 1 Multi-Use," Mar. 24, 2020, Amazon.com, www.amazon.com/Kalorik-Bartista-Frother-Multi-Use-Stainless/dp/B086BZJ127 (Year: 2020).*

PI-Design AG, U.S. Appl. No. 29/730,466, filed Apr. 3, 2020.

* cited by examiner

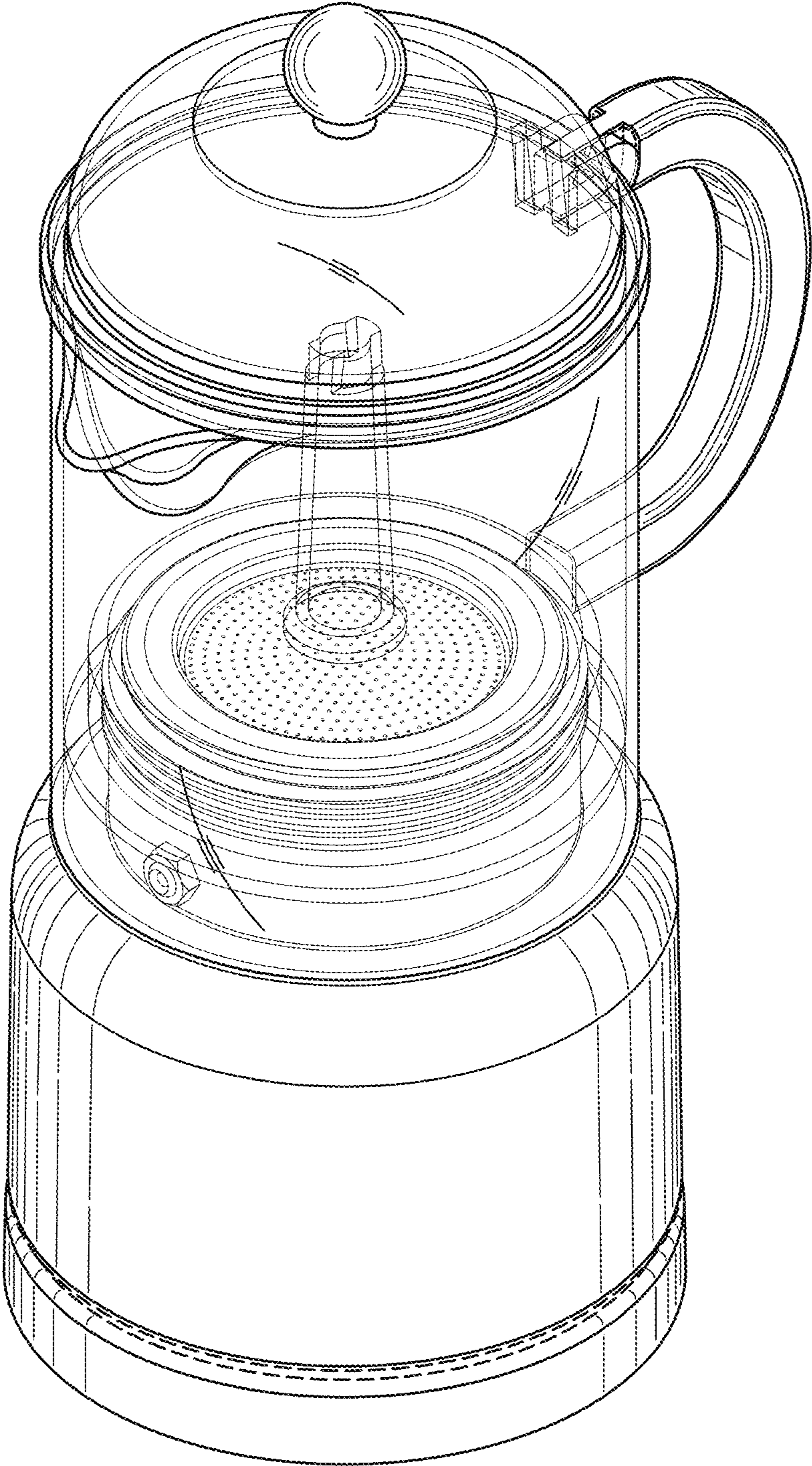


FIG. 1

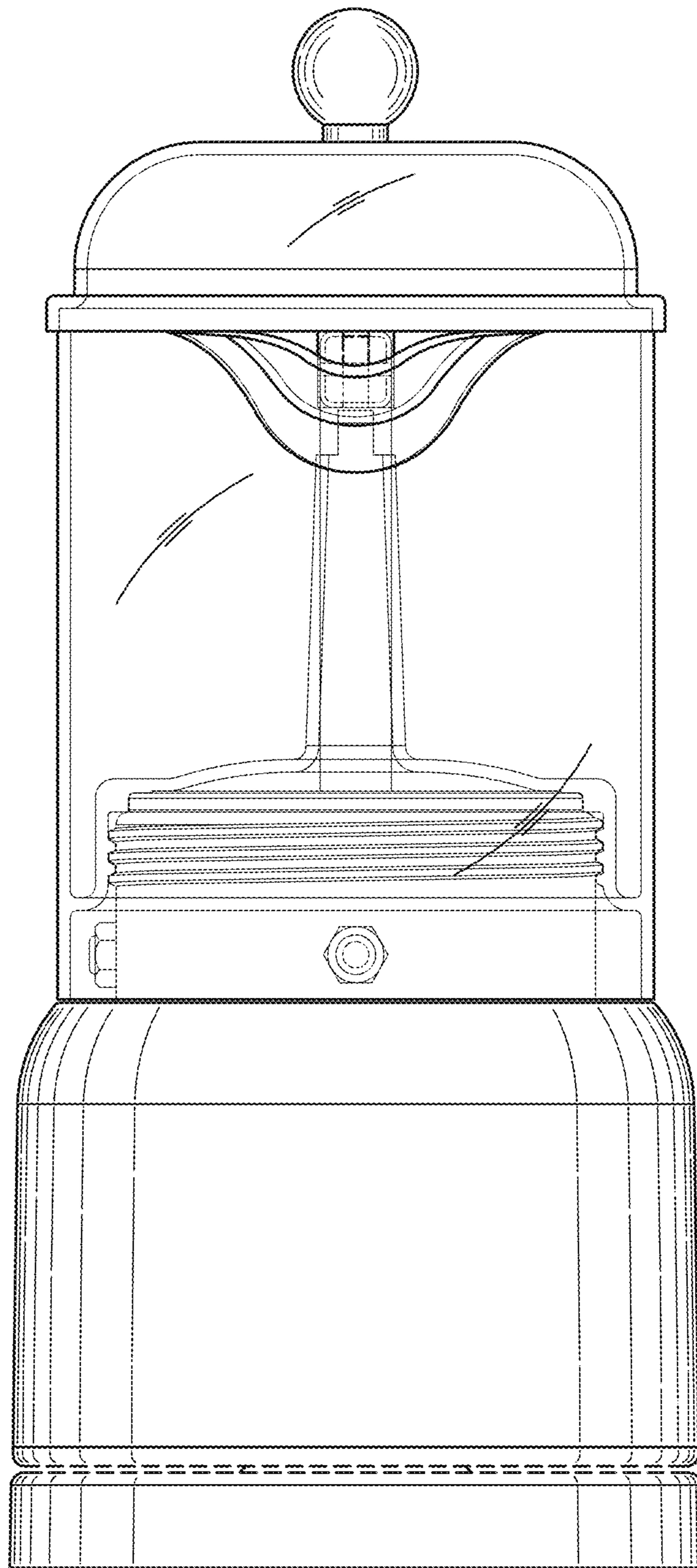


FIG. 2

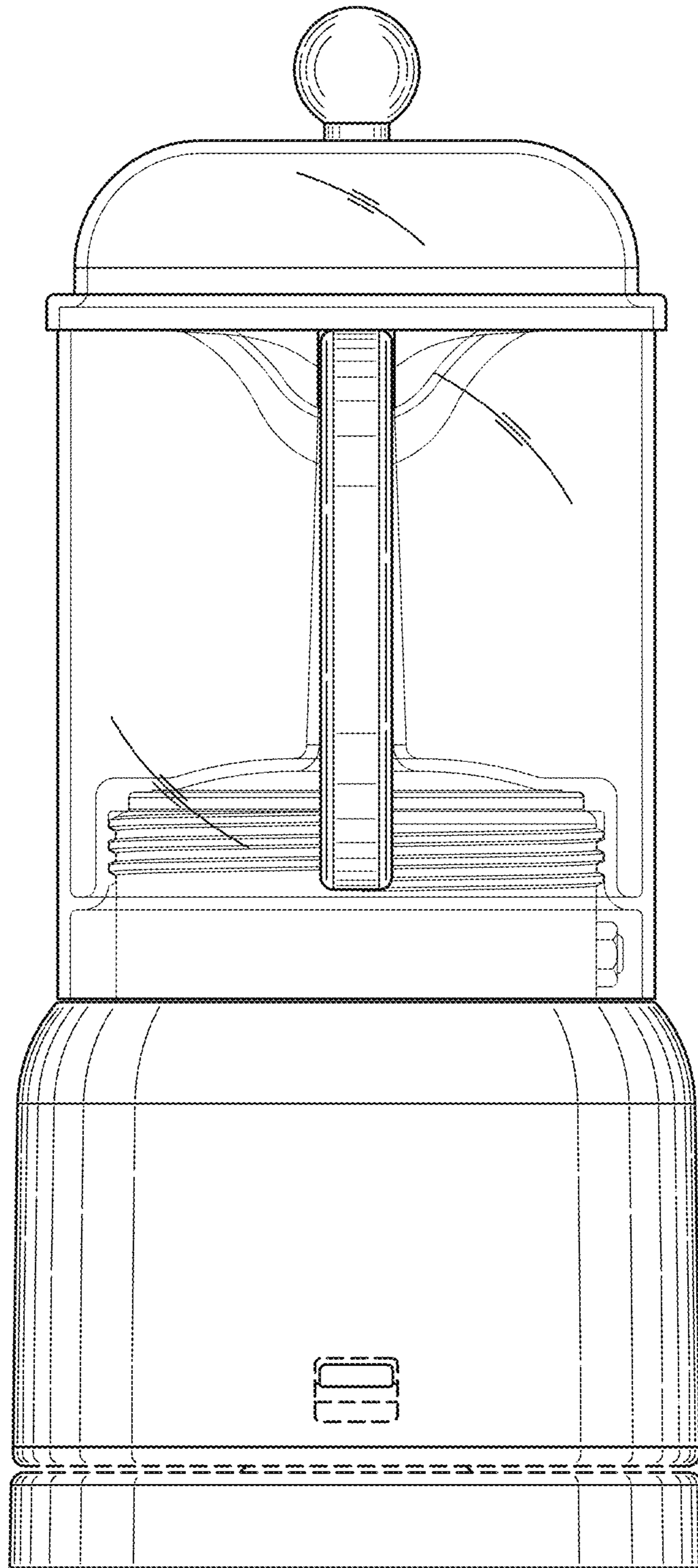


FIG. 3

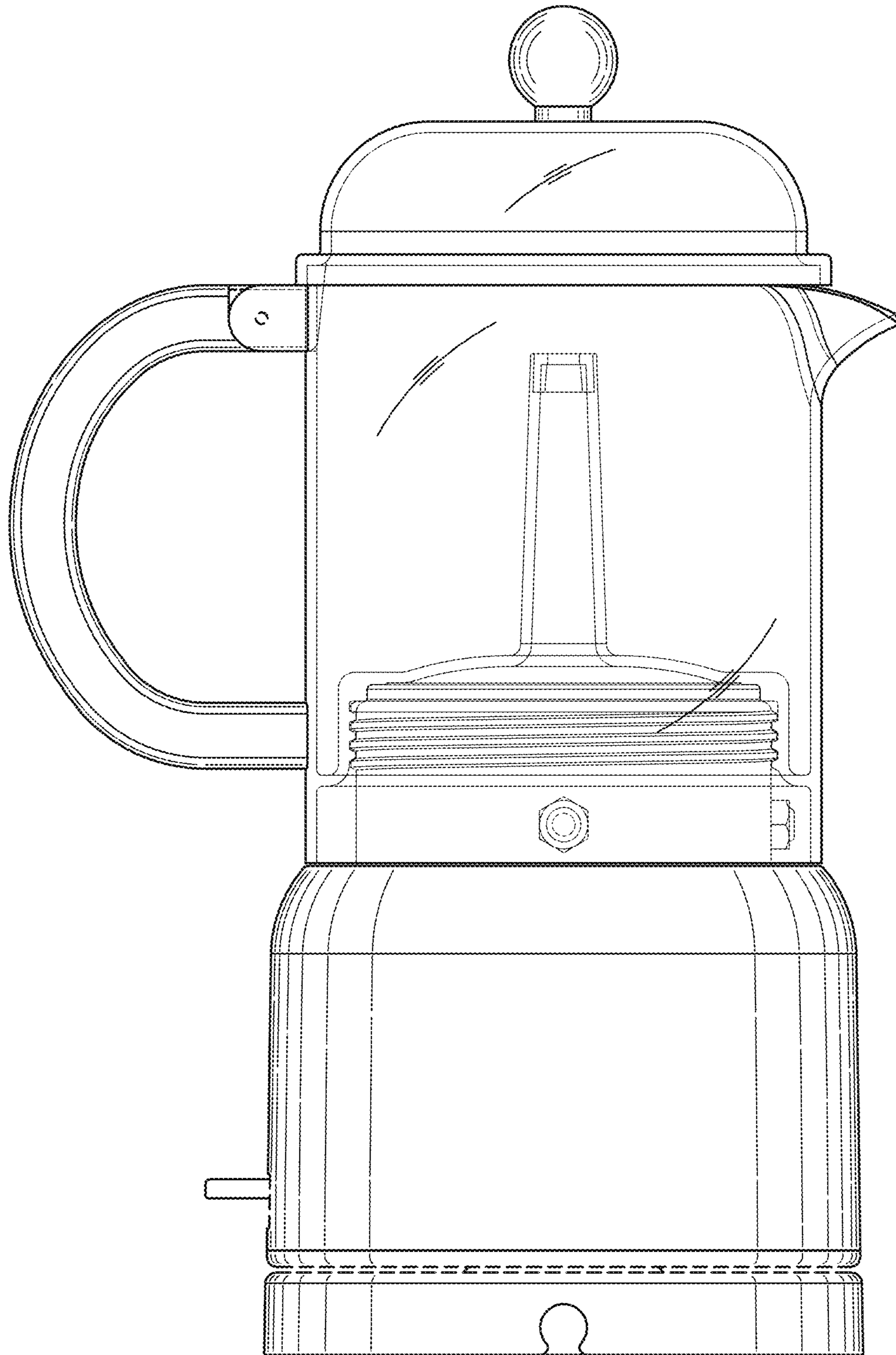


FIG. 4

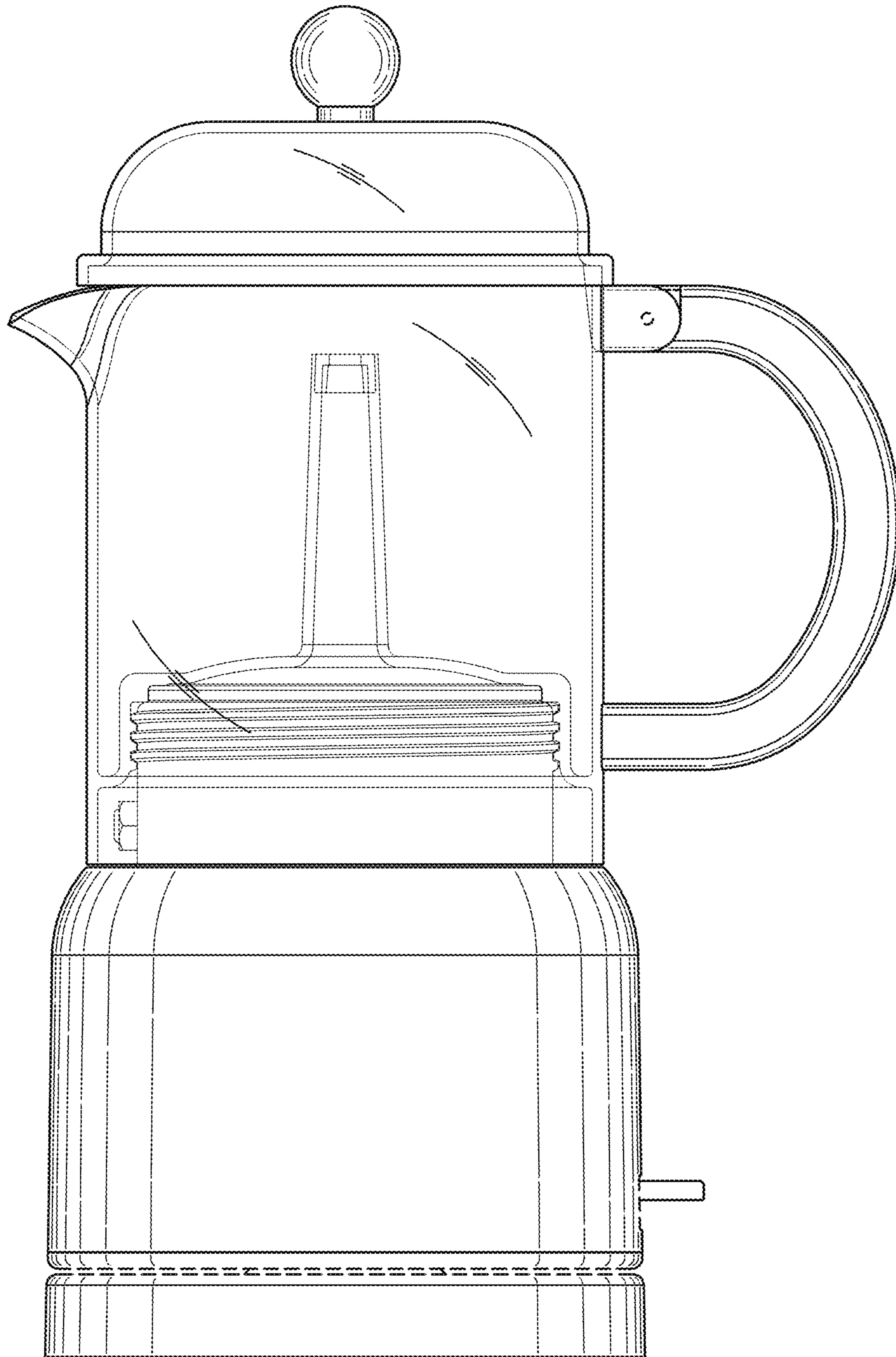


FIG. 5

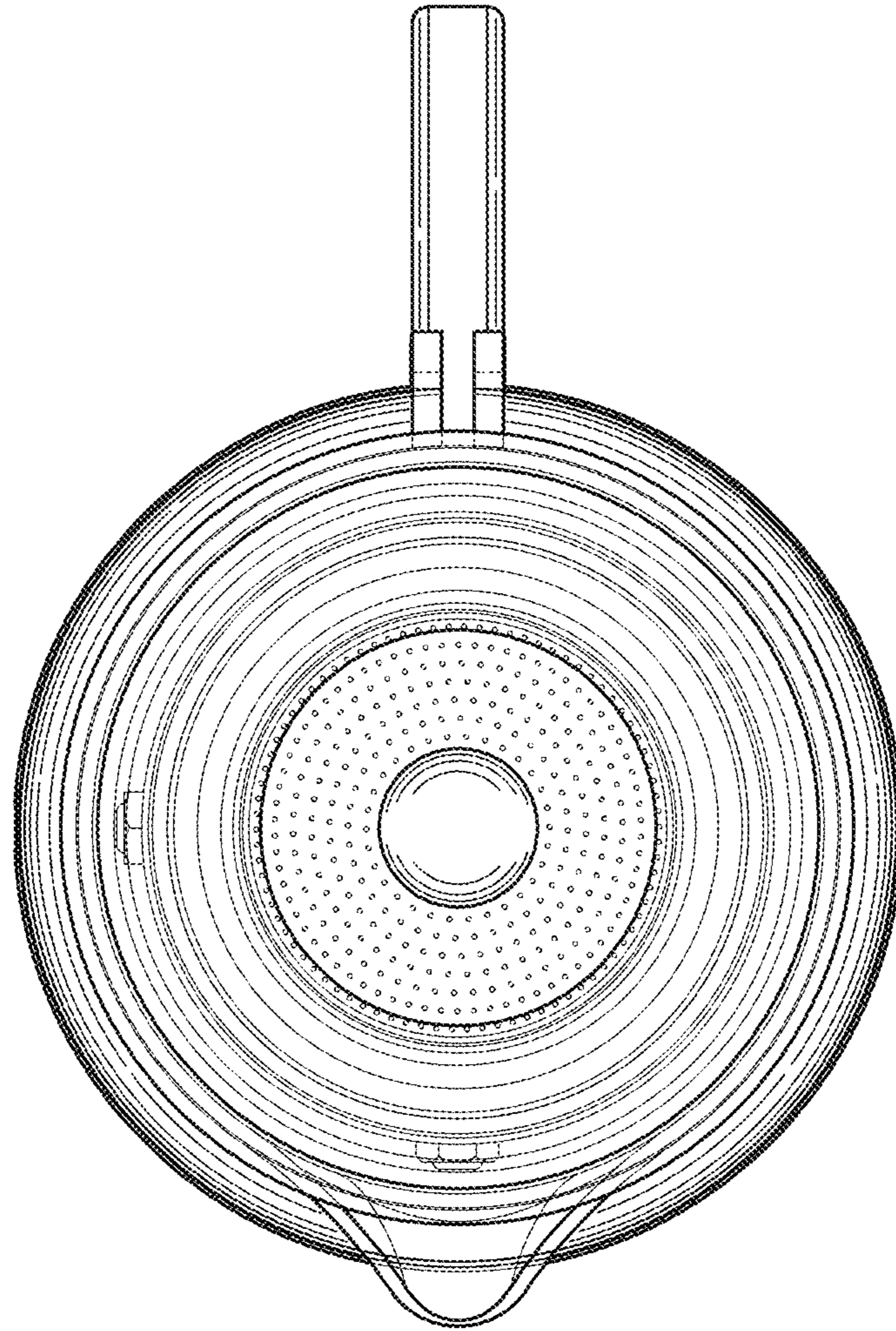


FIG. 6

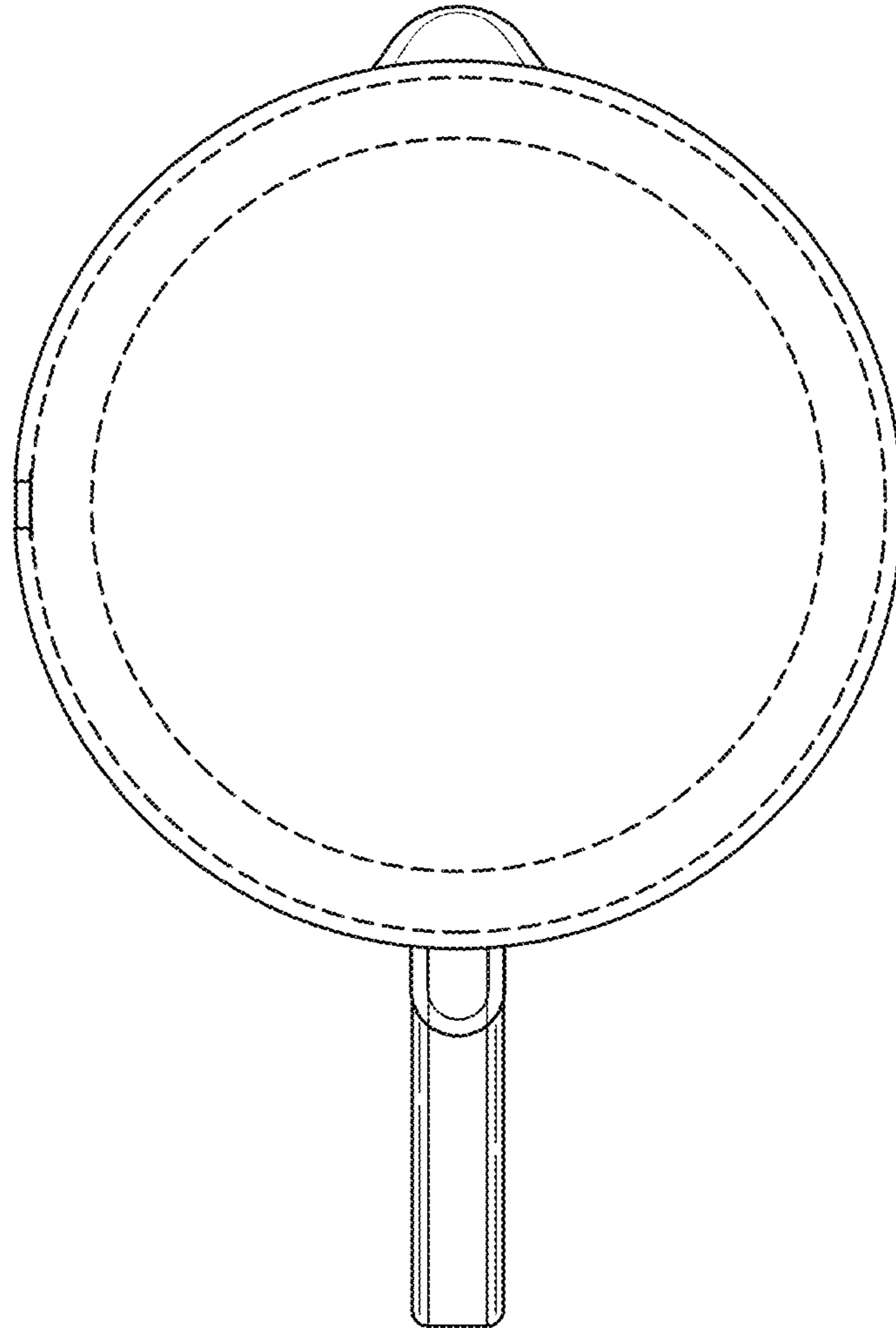


FIG. 7