

US00D949617S

(12) **United States Design Patent** (10) **Patent No.:** **US D949,617 S**
Tan (45) **Date of Patent:** **** Apr. 26, 2022**

(54) **BEER GROWLER**

(71) Applicant: **Foshan Shunde Jindi Industrial Co., Ltd.**, Guangdong (CN)

(72) Inventor: **Kunyou Tan**, Foshan (CN)

(73) Assignee: **FOSHAN SHUNDE JINDI INDUSTRIAL CO., LTD.**, Foshan (CN)

(**) Term: **15 Years**

(21) Appl. No.: **29/741,937**

(22) Filed: **Jul. 16, 2020**

(30) **Foreign Application Priority Data**

Jan. 18, 2020 (CN) 202030037085.7

(51) **LOC (13) Cl.** **07-01**

(52) **U.S. Cl.**
USPC **D7/313**

(58) **Field of Classification Search**
USPC D7/509, 510, 511, 523, 532, 533, 536, D7/598, 600, 543, 300, 302, 305, 312, D7/313, 602, 619.1, 397, 398; D9/516, D9/559, 569, 528, 530, 531, 536, 537, D9/538, 544, 554, 556, 546, 502, 503, D9/505

CPC A47G 19/22; A47J 41/00; B65D 1/02; B65D 1/12; B65D 1/40; B65D 47/12; B65D 47/14; B65D 81/3837; B67D 1/12

See application file for complete search history.

(56) **References Cited**

U.S. PATENT DOCUMENTS

D702,455 S * 4/2014 Garland D6/542
D787,266 S * 5/2017 Sonnichsen D9/530

D789,203 S * 6/2017 Englert D9/528
D802,976 S * 11/2017 Buchik D7/300
D833,819 S * 11/2018 Englert D7/511
D836,978 S * 1/2019 Sonnichsen D7/397
D881,627 S * 4/2020 Rittenburg D7/313
D900,614 S * 11/2020 Lee D9/531
D904,100 S * 12/2020 Sonnichsen D7/300
D934,034 S * 10/2021 Cavanaugh D7/608
2019/0241323 A1 * 8/2019 Walsak B65D 41/0435

OTHER PUBLICATIONS

GrowlerWerks Carbonated Growler | posted at Amazon.com, posted on Jun. 24, 2015 © 1996-2021 Amazon.com, [online], [site visited Nov. 4, 2021]. Available from Internet, <URL:https://www.amazon.com/uKeg-Pressurized-Growler-Craft-Beer/dp/B00YR9NUEI/> (Year: 2015).*

(Continued)

Primary Examiner — Andrew Kerr

(74) *Attorney, Agent, or Firm* — Dragon Sun Law Firm, PC; Jinggao Li, Esq.

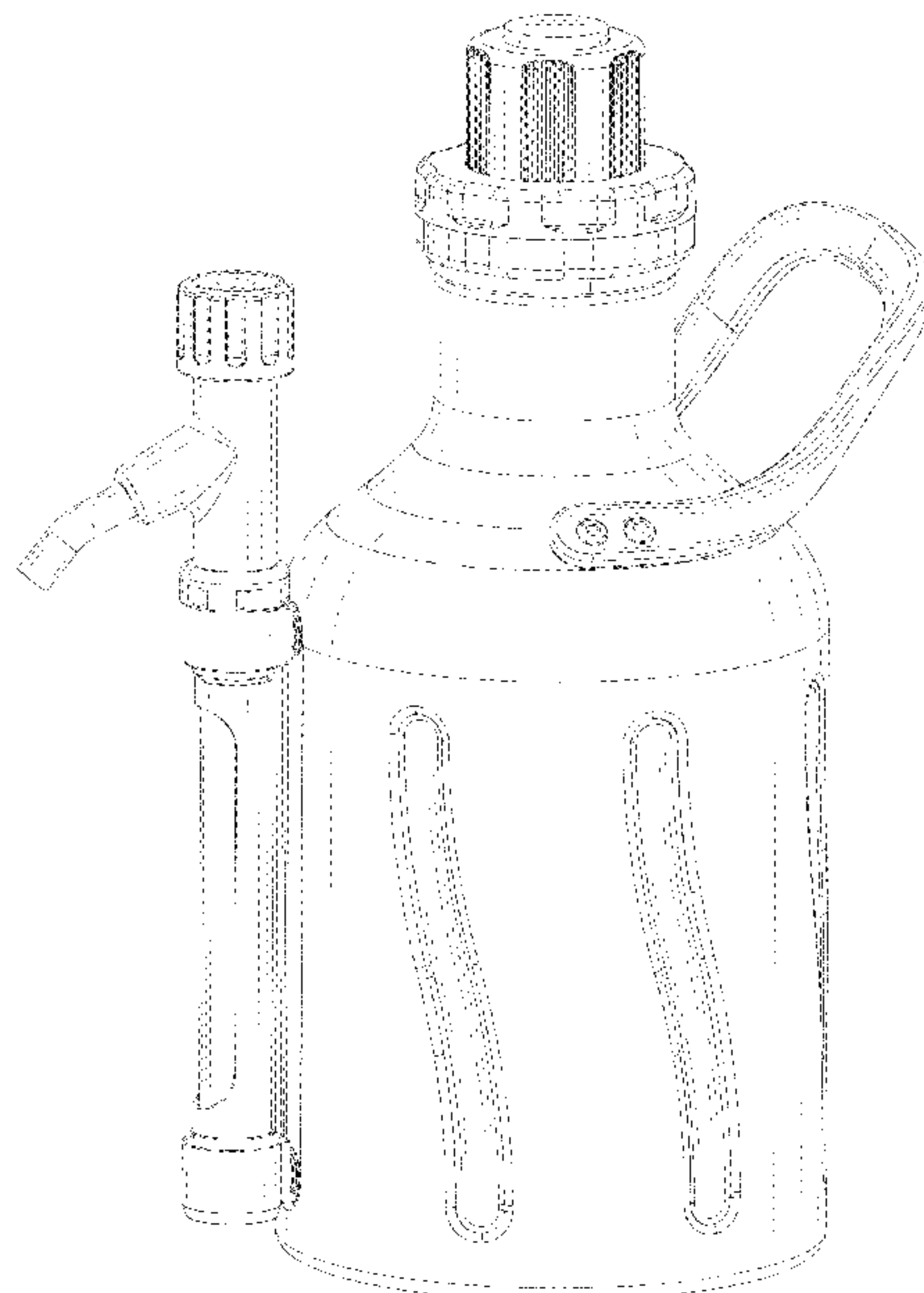
(57) **CLAIM**

The ornamental design for a beer growler, as shown and described.

DESCRIPTION

FIG. 1 is a perspective view of a beer growler showing my new design;
FIG. 2 is front elevation view thereof;
FIG. 3 is a rear elevation view thereof;
FIG. 4 is a left side elevation view thereof;
FIG. 5 is a right side elevation view thereof;
FIG. 6 is a top plan view thereof; and,
FIG. 7 is a bottom plan view thereof.
The broken lines in the drawings illustrate portions of a beer growler and form no part of the claimed design.

1 Claim, 7 Drawing Sheets



(56)

References Cited

OTHER PUBLICATIONS

Ivation Growler | posted at Amazon.com, posted on Feb. 9, 2021, © 1996-2022 Amazon.com, [online], [site visited Feb. 26, 2022]. Available from Internet, <URL: <https://www.amazon.com/Ivation-Carbonated-Pressurized-Double-Walled-Cartridges/dp/B08W9PNK1D/>> (Year: 2021).*

GrowlerWerks uKeg | posted at Amazon.com, posted on Jun. 24, 2015, © 1996-2022 Amazon.com, [online], [site visited Feb. 26, 2022]. Available from Internet, <URL: <https://www.amazon.com/uKeg-Pressurized-Growler-Craft-Beer/dp/B00YRA5BB2?ref=>> (Year: 2015).*

* cited by examiner

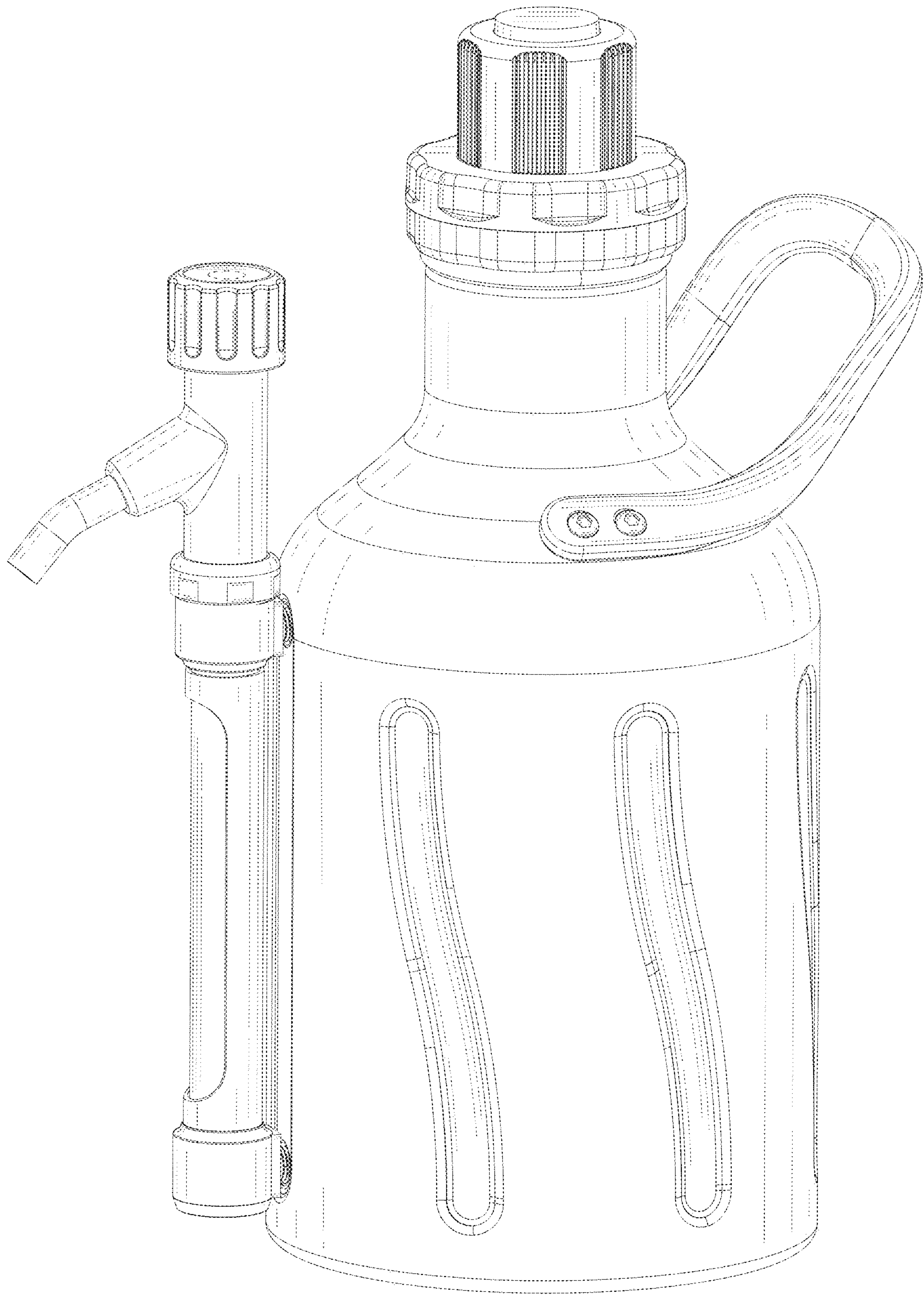


FIG. 1

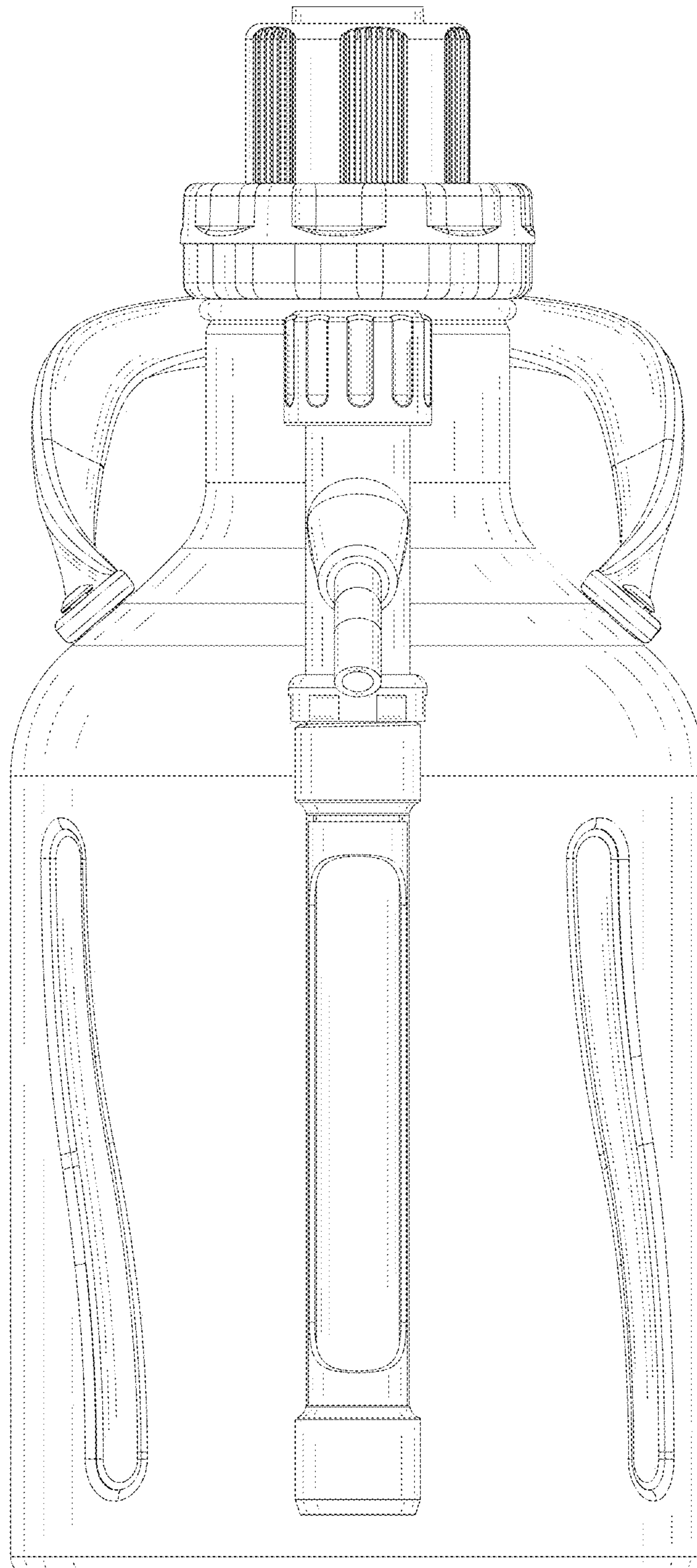


FIG. 2

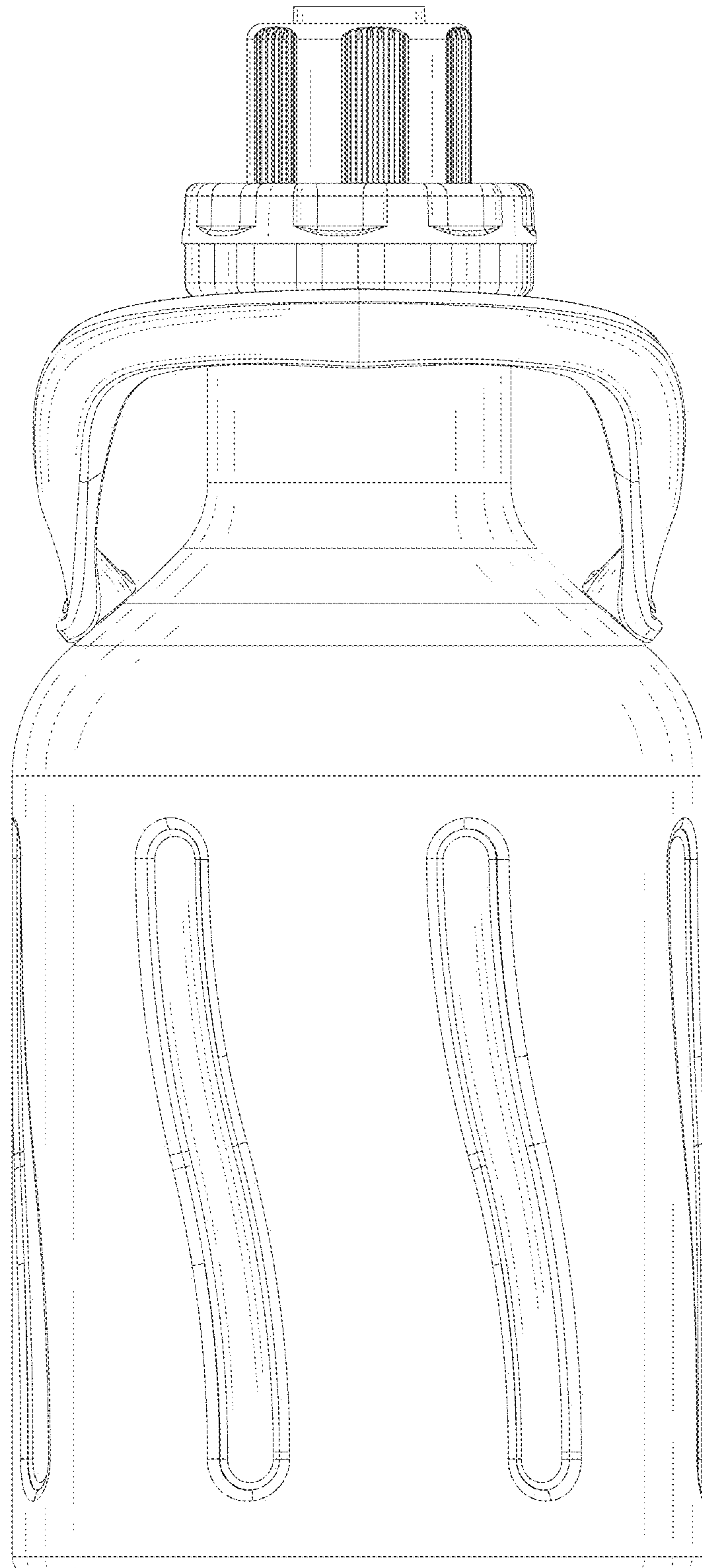


FIG. 3

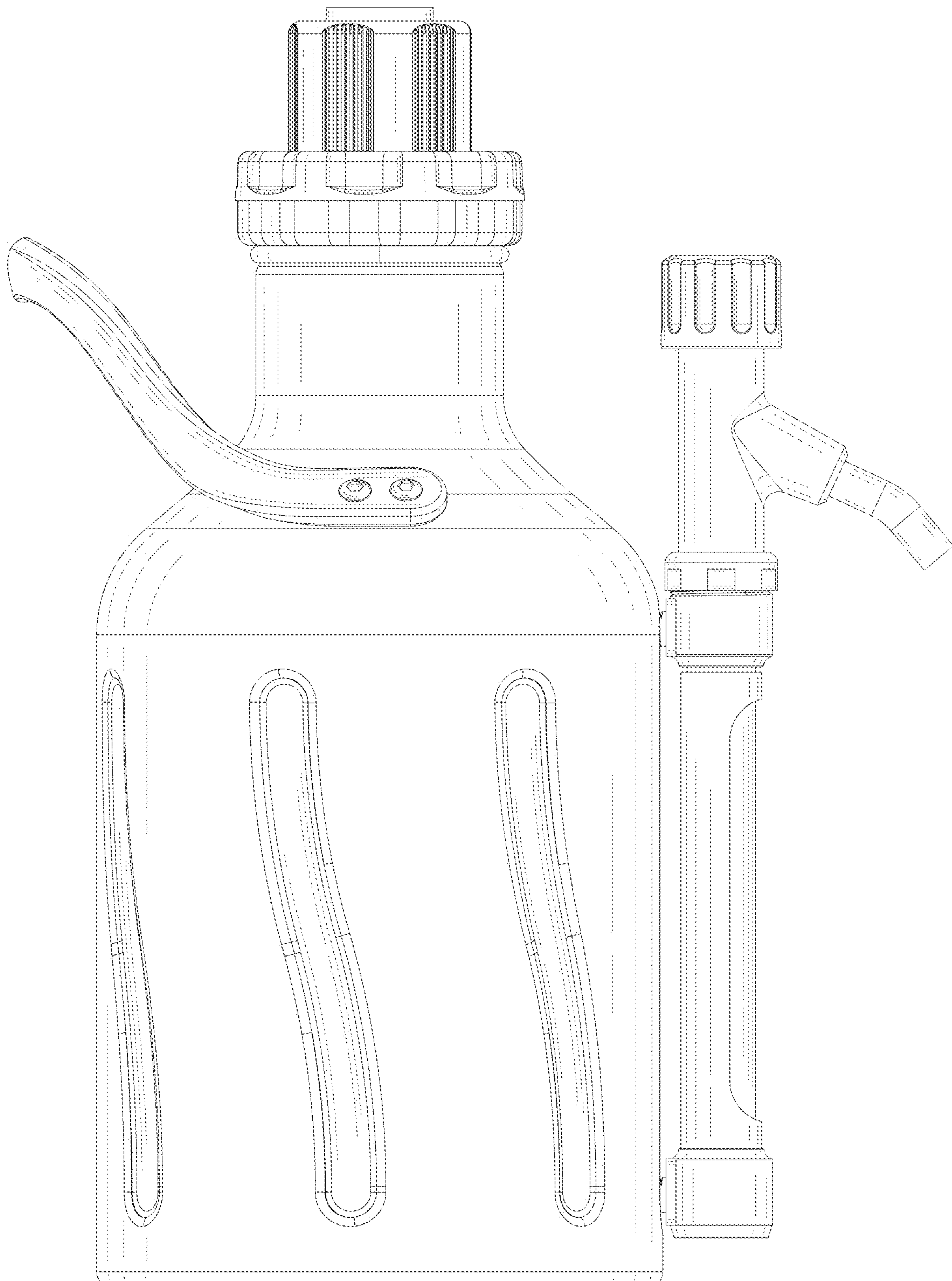


FIG. 4

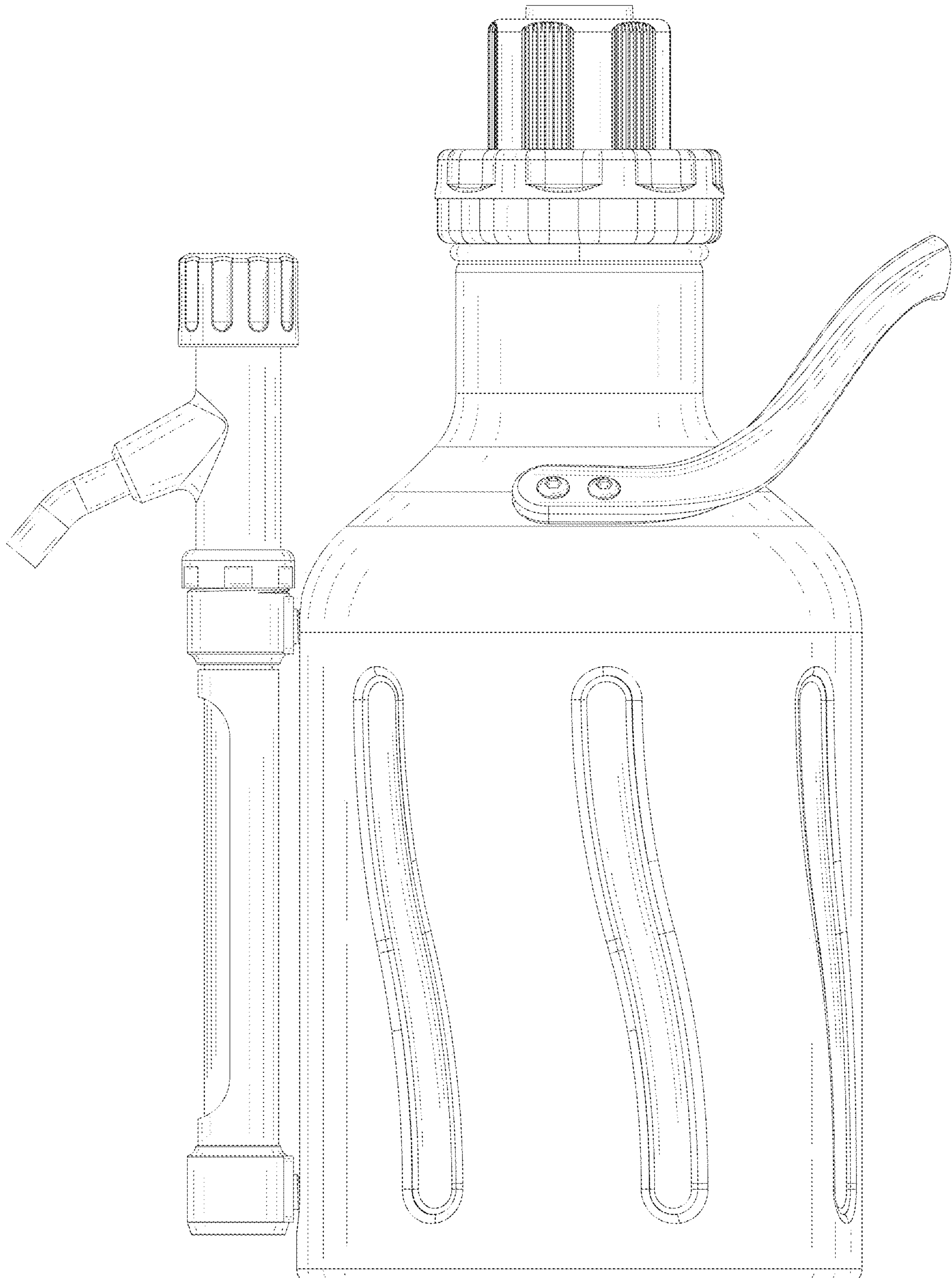


FIG. 5

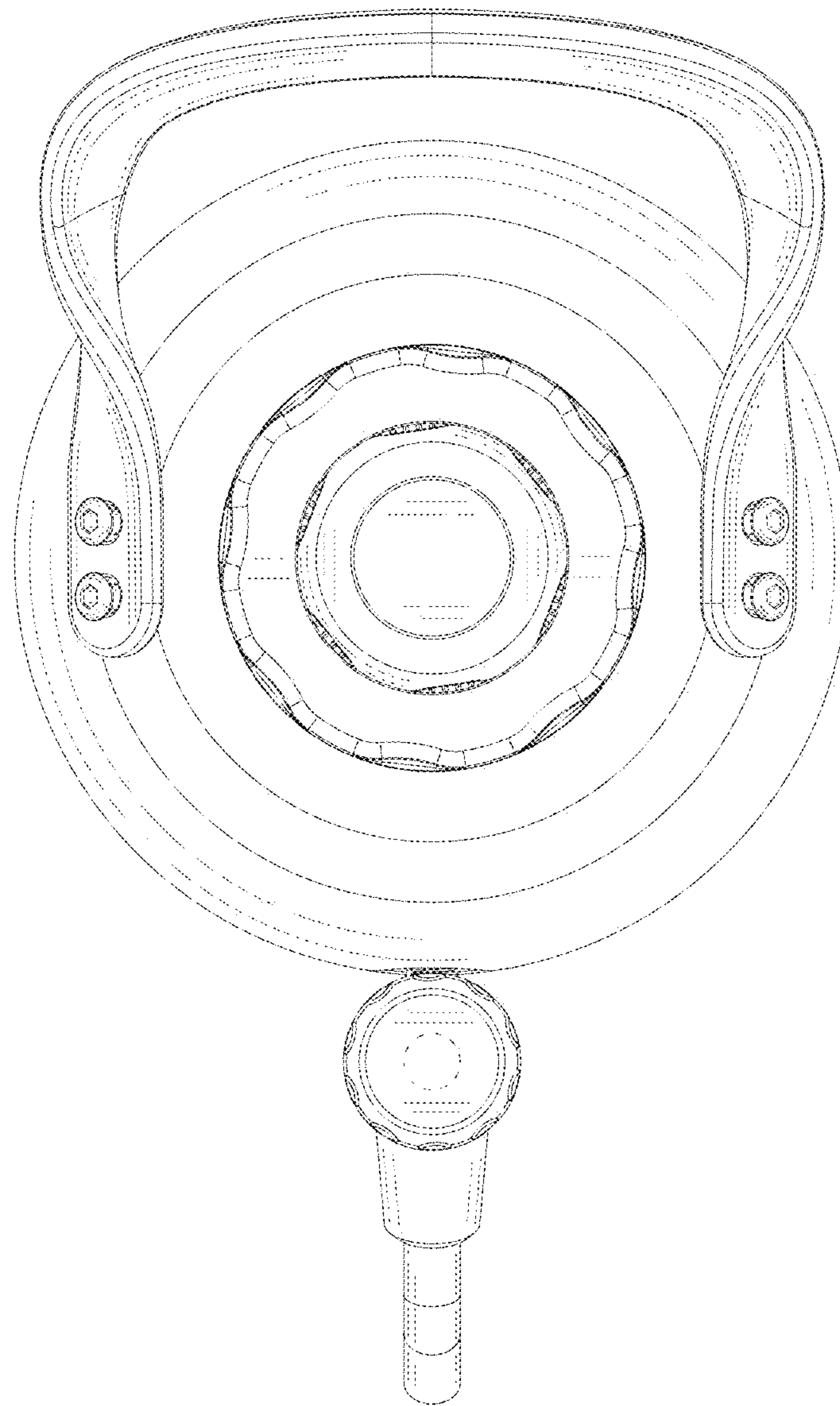


FIG. 6

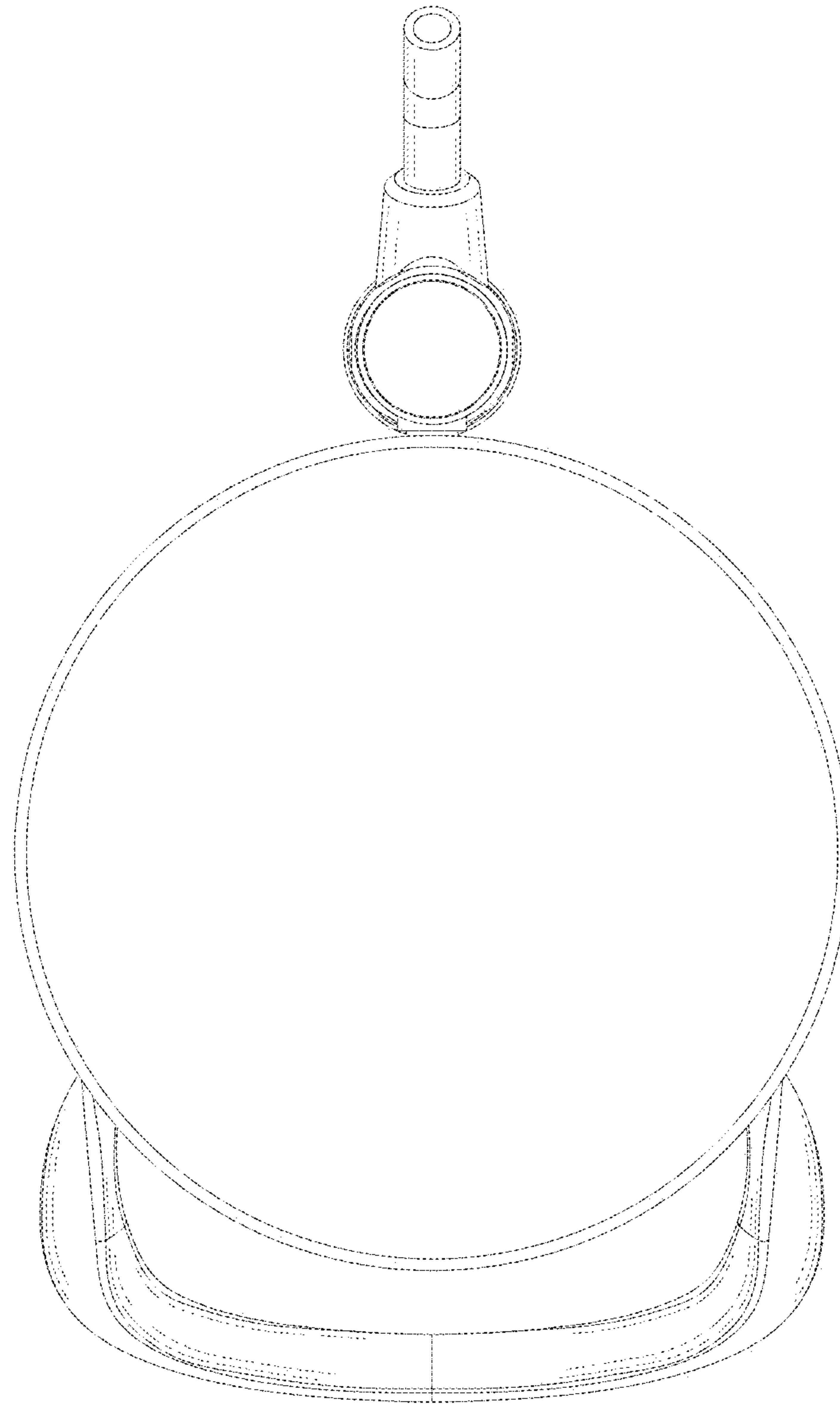


FIG. 7