



US00D949616S

(12) **United States Design Patent** (10) **Patent No.:** **US D949,616 S**
Duran et al. (45) **Date of Patent:** **** Apr. 26, 2022**

(54) **COFFEE MACHINE**

(56) **References Cited**

(71) Applicant: **Arçelik Anonim Sirketi**, Istanbul (TR)

U.S. PATENT DOCUMENTS

(72) Inventors: **Nihat Duran**, Tuzla Istanbul (TR); **Asli Ökmen**, Tuzla Istanbul (TR); **Gizem Durakoglu Emre**, Tuzla Istanbul (TR); **Can Onur Vanci**, Tuzla Istanbul (TR); **Özlem Kök Gültekin**, Tuzla Istanbul (TR); **Tamer Yüksek**, Tuzla Istanbul (TR); **Dogaç Can Sagirosmanoglu**, Tuzla Istanbul (TR); **Ece Çinar**, Tuzla Istanbul (TR)

4,081,659	A	3/1978	Kemp	
D250,688	S *	1/1979	Felske	D10/2
D274,400	S	6/1984	Muller	
D317,546	S	6/1991	Rakocy et al.	
D489,217	S	5/2004	Seum et al.	
D497,278	S *	10/2004	Picozza	D7/309
D546,112	S	7/2007	Rorke et al.	
D627,188	S	11/2010	Picozza et al.	
D628,007	S	11/2010	Di Bitonto et al.	
D669,154	S	10/2012	Choi	
8,777,109	B2 *	7/2014	Oberpriller	G06K 7/1095 235/462.43
D726,483	S	4/2015	Lin	
D788,510	S	6/2017	Steiner	
D838,531	S	1/2019	Bodum	

(73) Assignee: **ARÇELİK ANONİM SİRKETİ**, Istanbul (TR)

(**) Term: **15 Years**

(Continued)

(21) Appl. No.: **29/774,698**

Primary Examiner — Michelle E. Wilson

(22) Filed: **Mar. 18, 2021**

Assistant Examiner — Andrew Kerr

(74) *Attorney, Agent, or Firm* — Fox Rothschild LLP

Related U.S. Application Data

(62) Division of application No. 29/681,469, filed on Feb. 26, 2019.

(57) **CLAIM**

The ornamental design for a coffee machine, as shown and described.

Foreign Application Priority Data

Dec. 17, 2018	(EM)	005907540-0004
Dec. 17, 2018	(EM)	005907540-0005
Dec. 17, 2018	(EM)	005907540-0006

DESCRIPTION

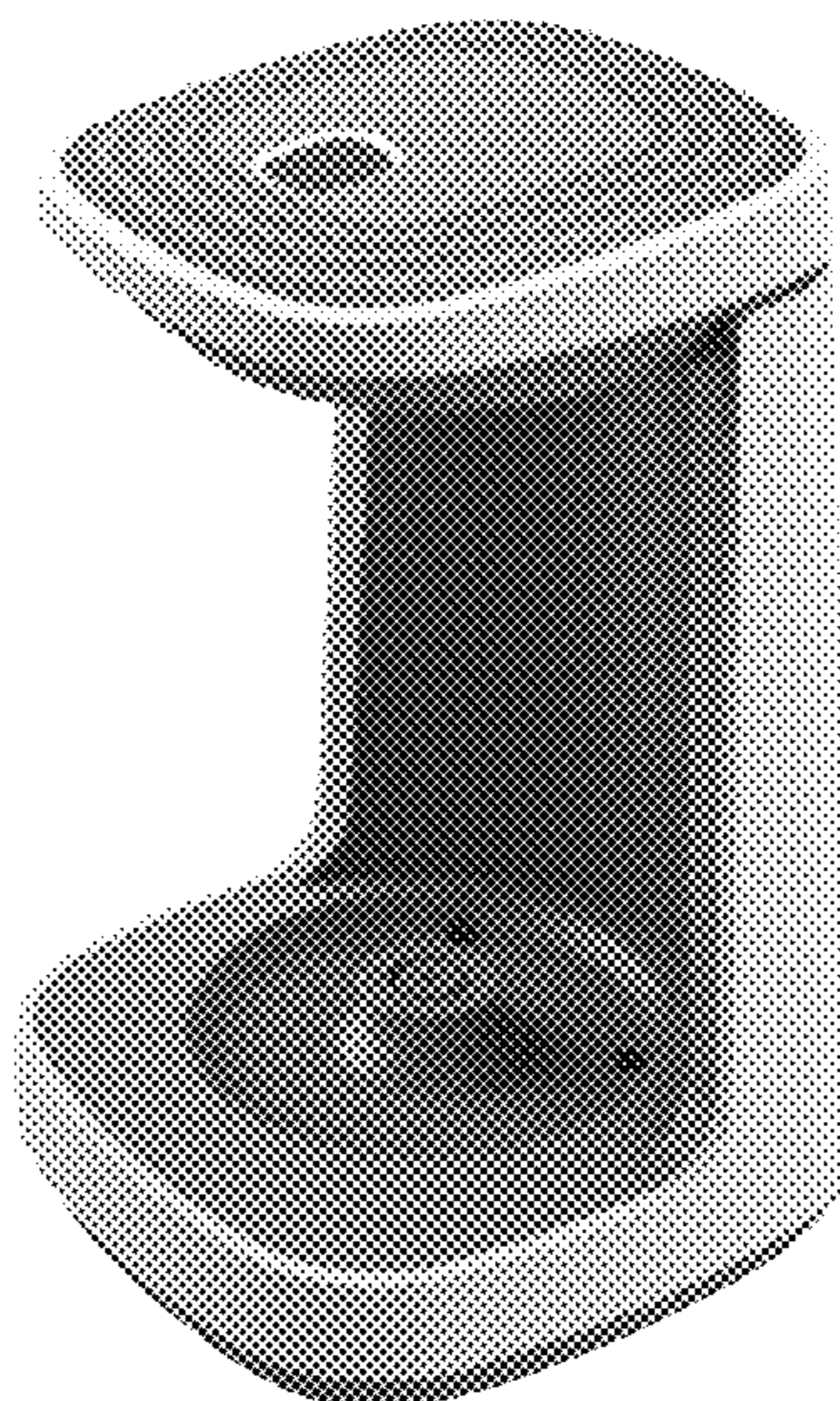
(51) **LOC (13) Cl.** **07-01**

(52) **U.S. Cl.**
USPC **D7/309**

(58) **Field of Classification Search**
USPC D7/300, 305, 306, 307, 308, 309, 310, D7/311, 355, 362, 365, 367, 397, 399
CPC A47J 31/02; A47J 31/407; A47J 31/50; A47J 31/18; A47J 31/061; A47J 27/04; A47J 31/0573; A47J 31/52; A47J 31/44
See application file for complete search history.

FIG. 1 is a right side perspective view of a coffee machine showing our new design.
FIG. 2 is a bottom view of the coffee machine of FIG. 1.
FIG. 3 is a top view of the coffee machine of FIG. 1.
FIG. 4 is a rear view of the coffee machine of FIG. 1.
FIG. 5 is a left side view of the coffee machine of FIG. 1; and,
FIG. 6 is a front view of the coffee machine of FIG. 1.
The broken lines in the drawings depict portions of the coffee machine that form no part of the claimed design.

1 Claim, 6 Drawing Sheets



(56)

References Cited

U.S. PATENT DOCUMENTS

D860,993 S * 9/2019 McDermott D14/420
D863,855 S 10/2019 van Oord et al.
D863,857 S 10/2019 Umholtz et al.
D863,881 S 10/2019 Umholtz et al.
D867,047 S 11/2019 McConnell et al.
D882,321 S * 4/2020 Fisher Wong D7/309
D888,488 S 6/2020 McColl
D894,658 S 9/2020 Davenport
D894,659 S * 9/2020 Kestenbaum D7/309
D896,021 S 9/2020 Bond et al.
D912,453 S * 3/2021 Liebe D7/309
D927,912 S * 8/2021 Lee D7/309
2014/0013958 A1 * 1/2014 Krasne A47J 31/407
99/284
2018/0215603 A1 * 8/2018 Hecht B67D 1/1297

* cited by examiner



FIG. 1

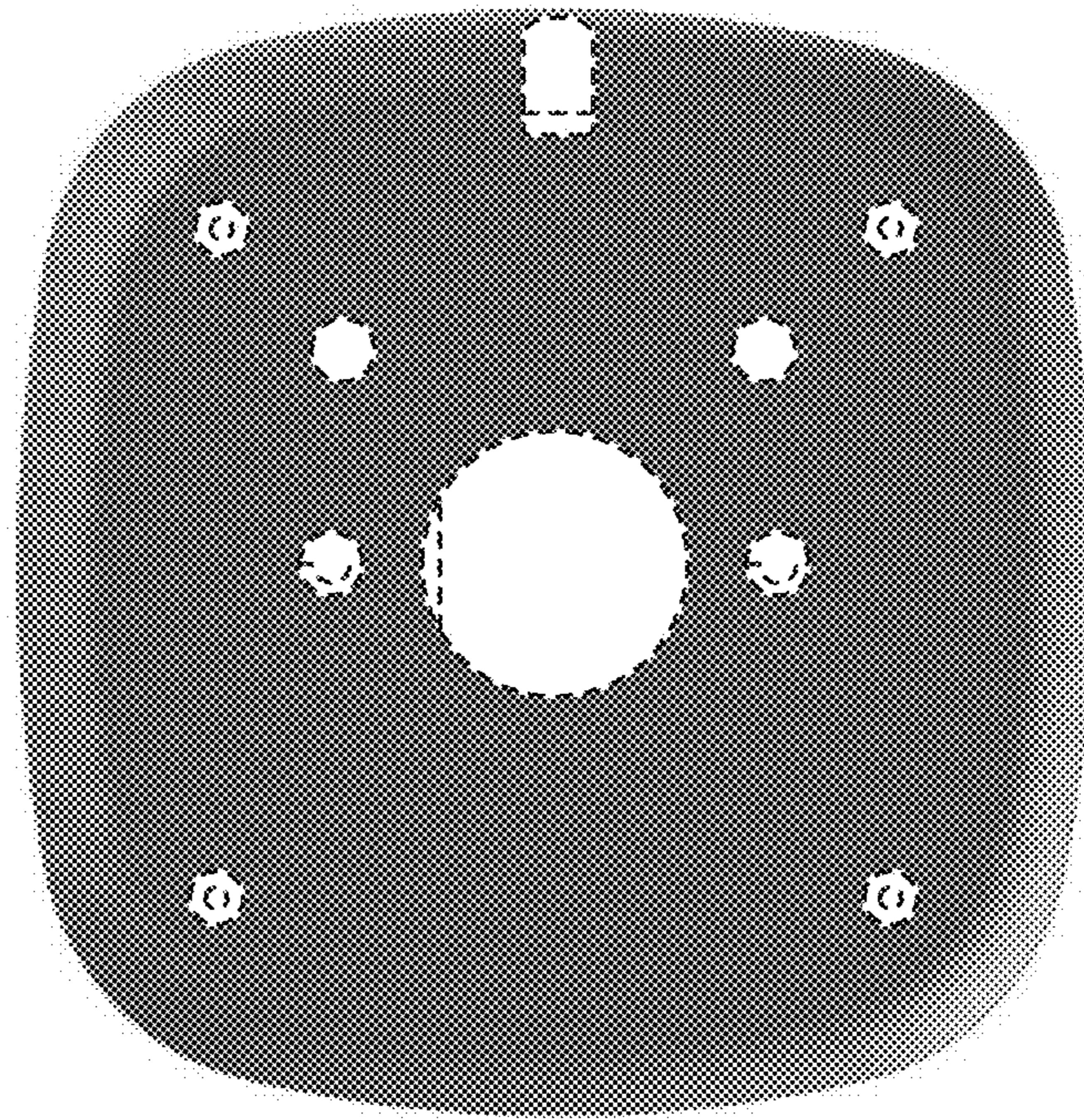


FIG. 2

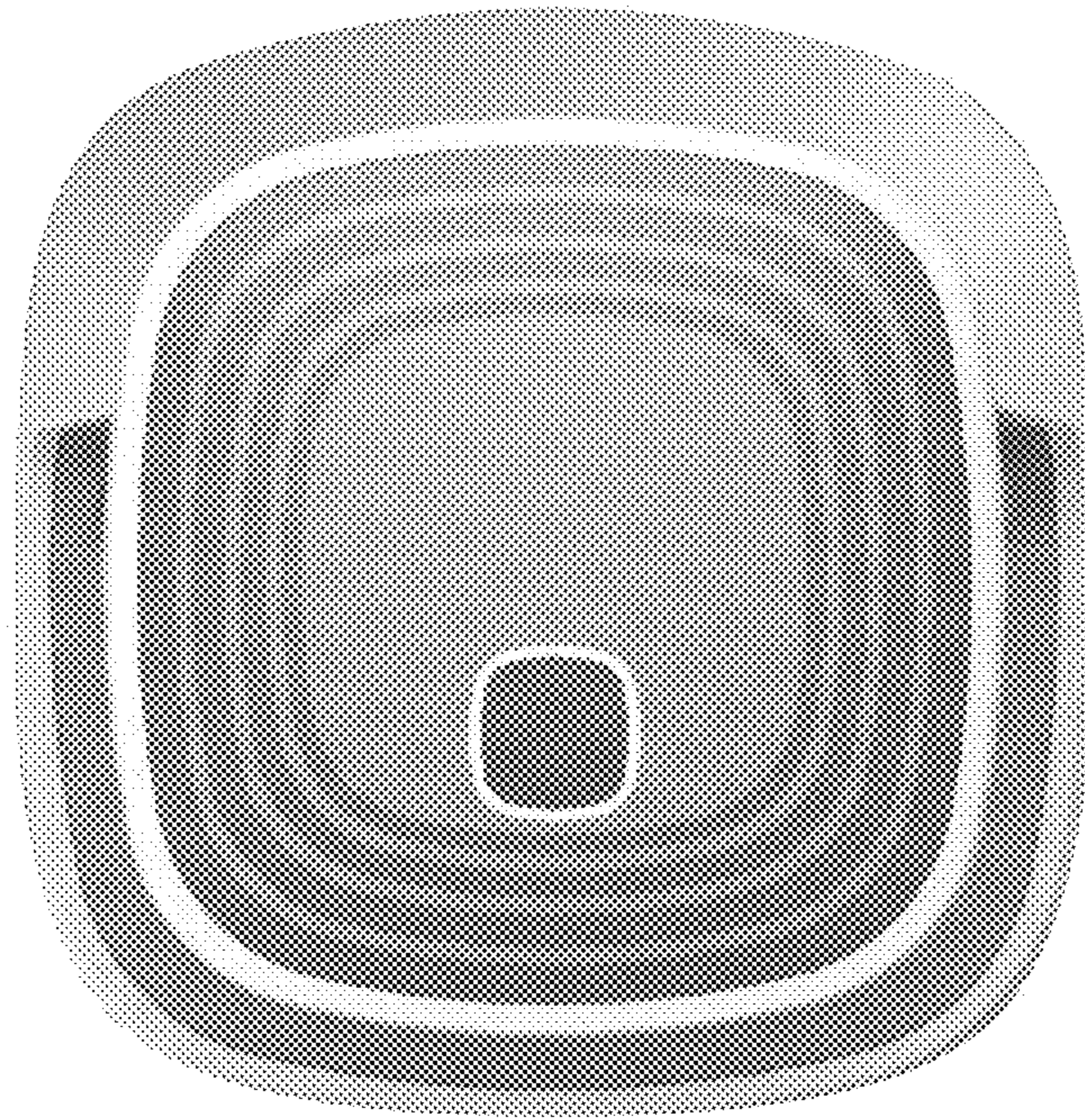


FIG. 3

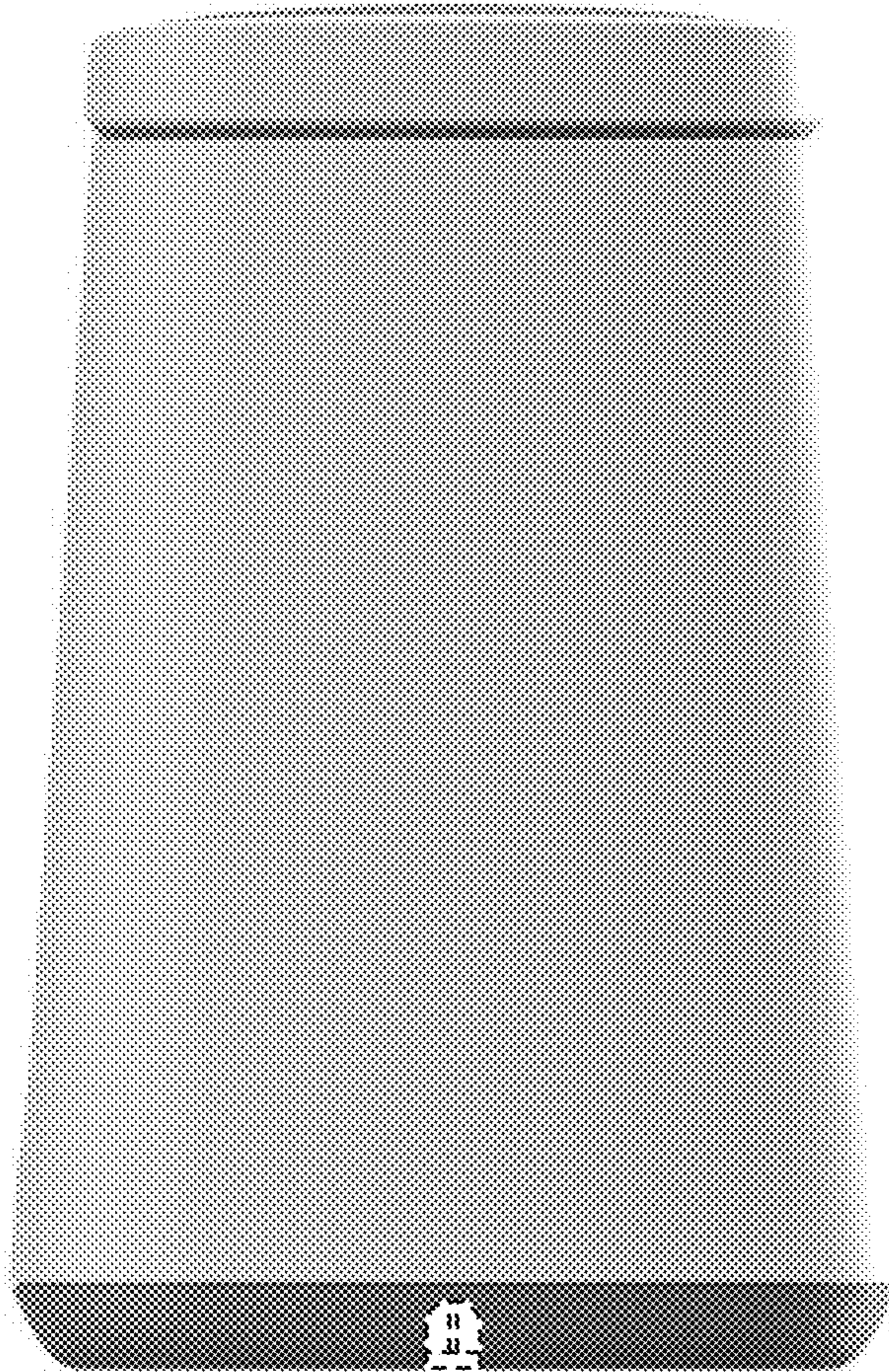


FIG. 4

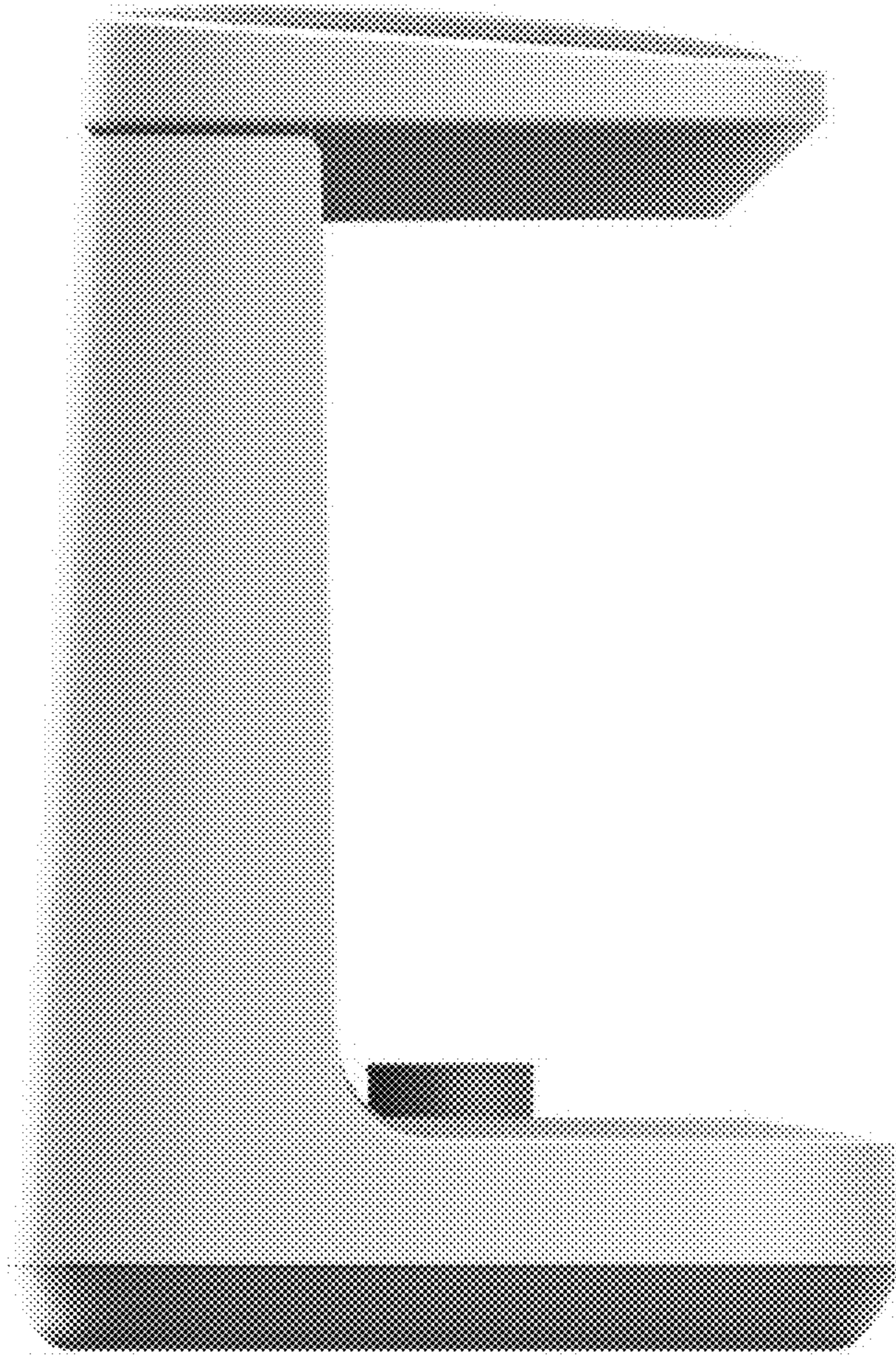


FIG. 5

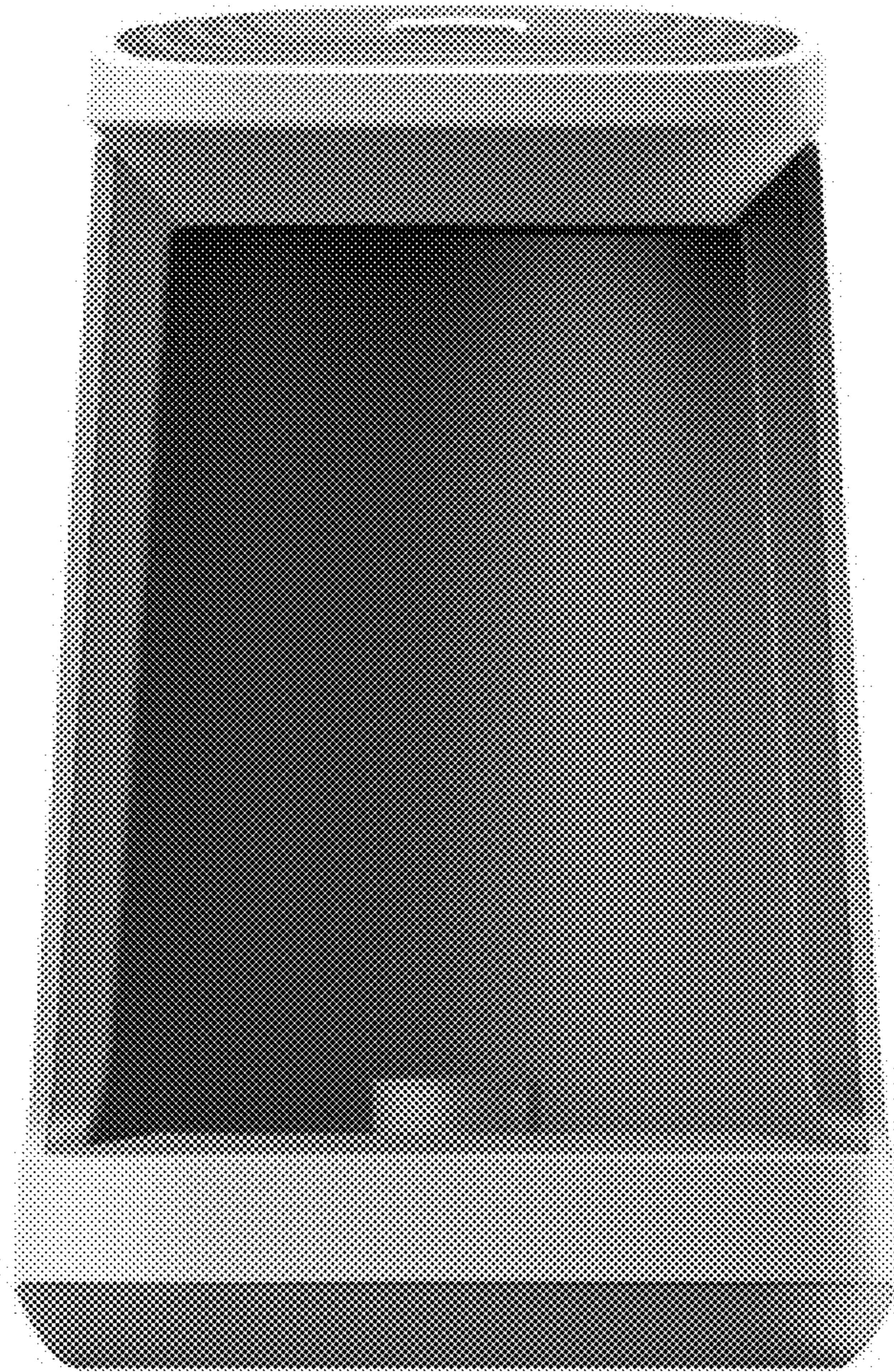


FIG. 6