



US00D949615S

(12) **United States Design Patent**  
**Guleria et al.**

(10) **Patent No.:** **US D949,615 S**  
(45) **Date of Patent:** **\*\* Apr. 26, 2022**

(54) **BEVERAGE DISPENSER**

- (71) Applicant: **Be the Change Labs, Inc.**, New York, NY (US)
- (72) Inventors: **Mohini Boparai Guleria**, Amsterdam (NL); **Lee von Kraus**, Brooklyn, NY (US); **Cameron Hughes**, New York, NY (US); **Wouter Konings**, Amsterdam (NL); **Allen Simon**, Bennebroek (NL); **Stijn Kroeze**, Amsterdam (NL); **Andreas Loibnegger**, Klagenfurt (AT)
- (73) Assignee: **BE THE CHANGE LABS, INC.**, New York, NY (US)
- (\*\*) Term: **15 Years**
- (21) Appl. No.: **29/713,064**
- (22) Filed: **Nov. 13, 2019**

**Related U.S. Application Data**

- (63) Continuation-in-part of application No. 29/711,638, filed on Nov. 1, 2019, which is a continuation-in-part of application No. 29/637,748, filed on Feb. 21, 2018, now Pat. No. Des. 867,046.
- (51) **LOC (13) Cl.** ..... **07-01**
- (52) **U.S. Cl.**  
USPC ..... **D7/306; D23/207**
- (58) **Field of Classification Search**  
USPC ..... D7/300, 304–322, 372–373, 376, D7/397–401, 415; D20/4, 5; D23/201, D23/207, 366, 209; D24/216–217, 219, D24/224; 99/292, 293; D9/428, 430, D9/432  
CPC ..... A47J 31/00; A47J 31/002; A47J 31/04; A47J 31/043; A47J 31/057; A47J 31/007; A47J 31/10; A47J 31/14; A47J 31/40; A47J 31/407; A47J 31/42; B67D 1/00; B67D 1/0043; B67D 7/00; B67D 7/02  
See application file for complete search history.

(56) **References Cited**

U.S. PATENT DOCUMENTS

- D188,528 S \* 8/1960 Markley ..... D7/313
- D289,317 S \* 4/1987 Mezey ..... B67D 1/0021  
D23/209
- D318,974 S \* 8/1991 Muller-Soppart ..... D7/308  
(Continued)

OTHER PUBLICATIONS

Rocean: World's First All-in-One Smart Water Maker, first available Apr. 9, 2018, Indiegogo, [online], [site visited Jun. 23, 2021], Available from internet URL: <https://www.indiegogo.com/projects/rocean-world-s-first-all-in-one-smart-water-maker#/> (Year: 2018).\*  
(Continued)

*Primary Examiner* — Mary Ann Calabrese  
*Assistant Examiner* — Natalya M Rapundalo  
(74) *Attorney, Agent, or Firm* — Husch Blackwell LLP

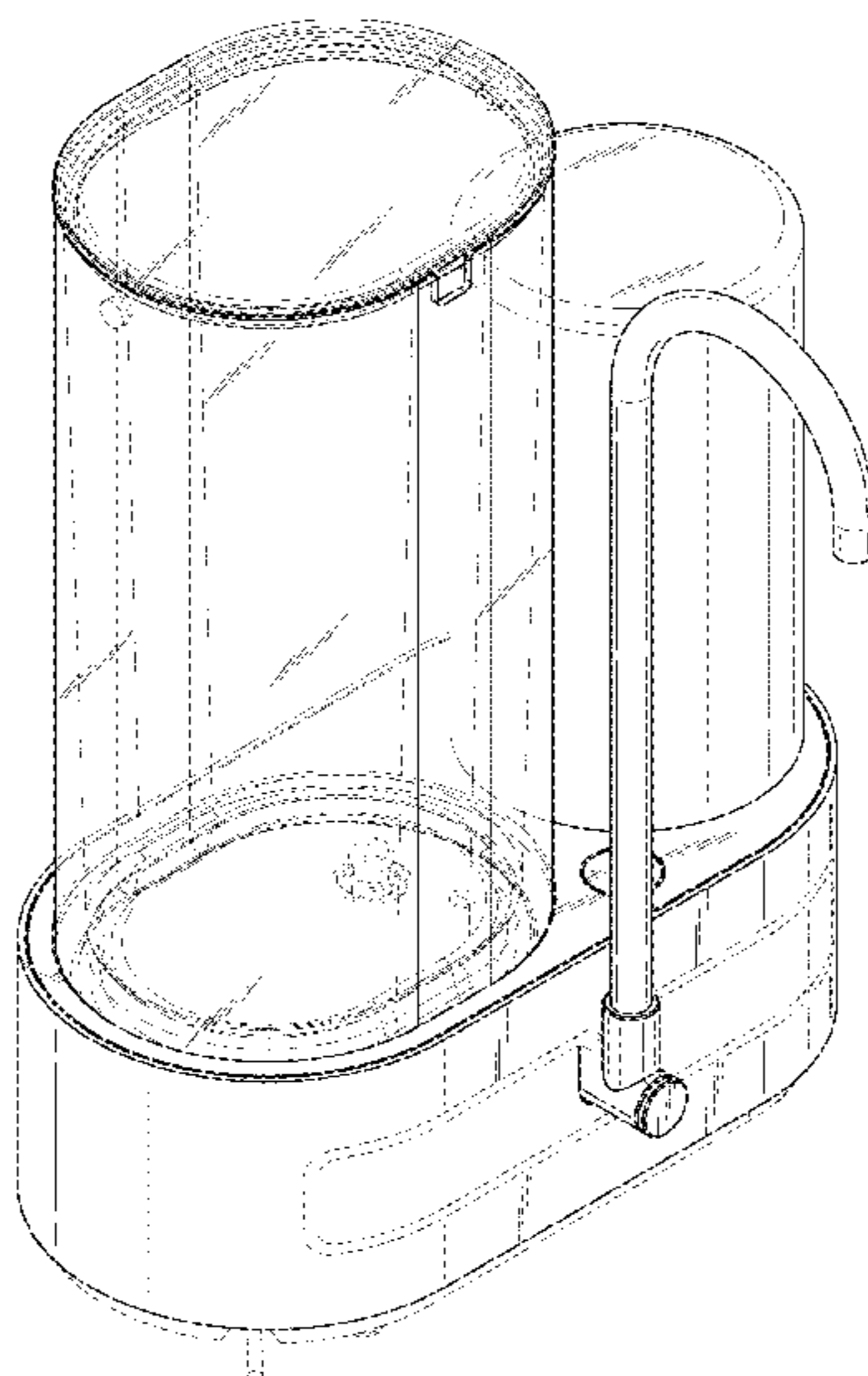
(57) **CLAIM**

The ornamental design for a beverage dispenser, as shown and described.

**DESCRIPTION**

FIG. 1 is a front perspective view of a beverage dispenser; FIG. 2 is a front elevation view thereof; FIG. 3 is a rear elevation view thereof; FIG. 4 is a left side elevation view thereof; FIG. 5 is a right side elevation view thereof; FIG. 6 is a top plan view thereof; and, FIG. 7 is a bottom plan view thereof.  
The dashed lines are included for the purpose of illustrating portions of the beverage dispenser that form no part of the claimed design.

**1 Claim, 7 Drawing Sheets**



(56)

**References Cited**

U.S. PATENT DOCUMENTS

D365,491 S \* 12/1995 Hui ..... D7/306  
 D369,867 S \* 5/1996 Feldman ..... D24/217  
 D504,935 S \* 5/2005 Taneike ..... D23/207  
 D588,852 S \* 3/2009 Stein ..... D7/301  
 D607,683 S \* 1/2010 Choi ..... D7/309  
 D672,188 S 12/2012 Luippold et al.  
 D674,036 S \* 1/2013 Jamison ..... D23/209  
 D678,709 S \* 3/2013 Sevcik ..... D7/307  
 8,511,348 B2 8/2013 Lillard, Jr.  
 D690,548 S 10/2013 Andreesen  
 D704,950 S \* 5/2014 Bogner ..... D6/518  
 D738,153 S 9/2015 Brook  
 D788,585 S \* 6/2017 Roberts ..... D9/456  
 D797,487 S 9/2017 Mangold et al.  
 D813,587 S 3/2018 Rose et al.  
 D823,036 S 7/2018 Kestenbaum  
 D856,129 S \* 8/2019 Torgersen ..... D9/414  
 D867,046 S \* 11/2019 Guleria ..... F25D 31/002  
 D7/306  
 D893,933 S \* 8/2020 You ..... D7/310

2005/0097907 A1\* 5/2005 Cleland ..... F25D 31/002  
 62/196.3  
 2019/0144252 A1\* 5/2019 von Kraus ..... B67D 1/0021  
 222/129.1  
 2019/0256337 A1\* 8/2019 Bhutani ..... B67D 1/0057

OTHER PUBLICATIONS

Elkay DSBCF180K Blubar Countertop Chilled Water Dispenser, Restaurant Supply [online], [site visited Jun. 25, 2021], Available from internet URL: <https://www.restaurantsupply.com/elkay-dsbcf180k-blubar-countertop-chilled-water-dispenser-1-3-gpm> (Year: 2021).\*  
 Rocean | Free Your Water, Rocean, [online], [site visited Jun. 23, 2021], Available from internet URL: <https://rocean.com/> (Year: 2021).\*  
 Apex Exprt MR-2050 Dual Countertop Drinking Water Filter, first available Aug. 9, 2018, Amazon, [online], [site visited Sep. 20, 2021], Available from internet URL: <https://www.amazon.com/dp/B07GBNB7VG> (Year: 2018).\*  
 Office Action issued by the United States Patent Office for corresponding U.S. Family U.S. Appl. No. 29/637,748, dated Jun. 7, 2019.

\* cited by examiner



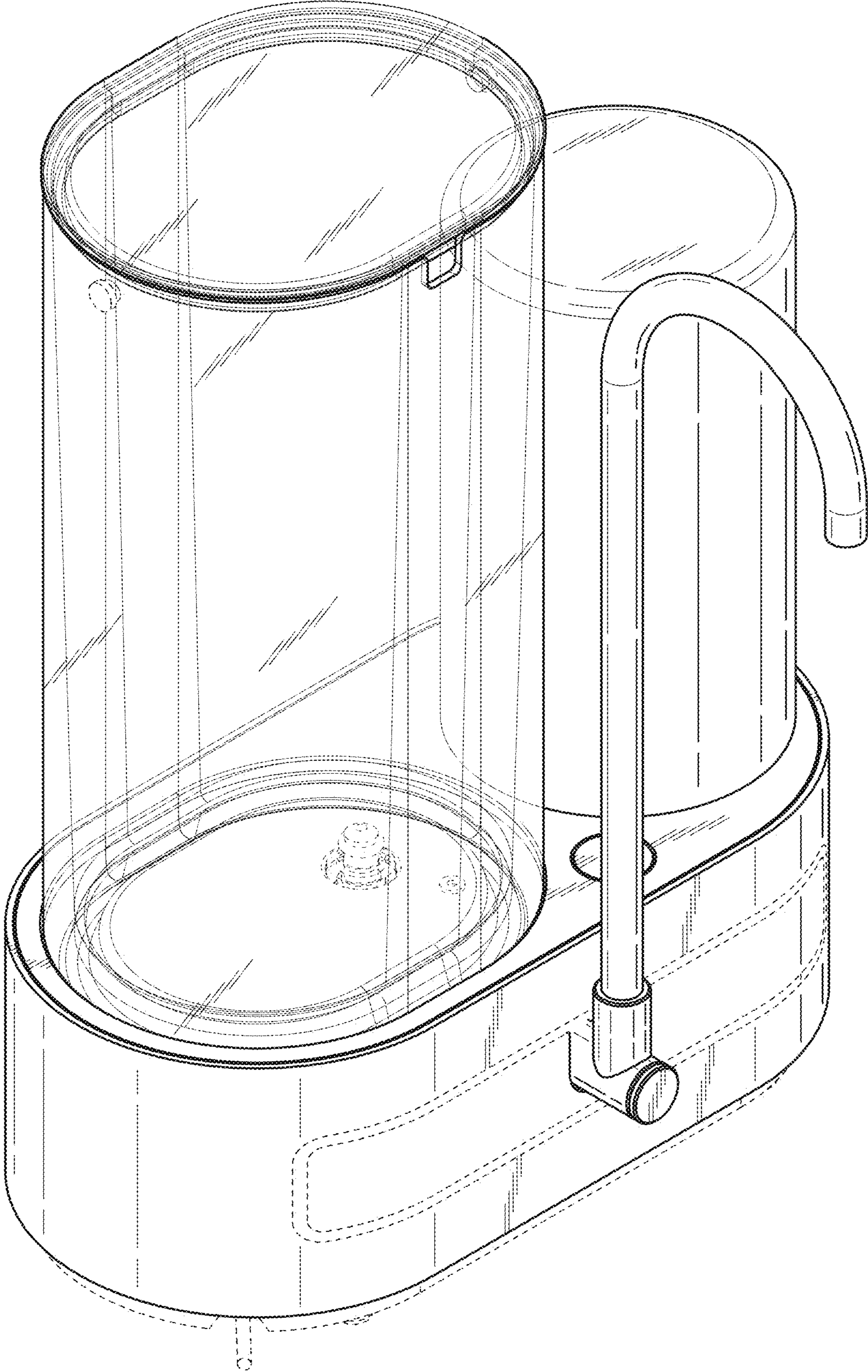


FIG. 1

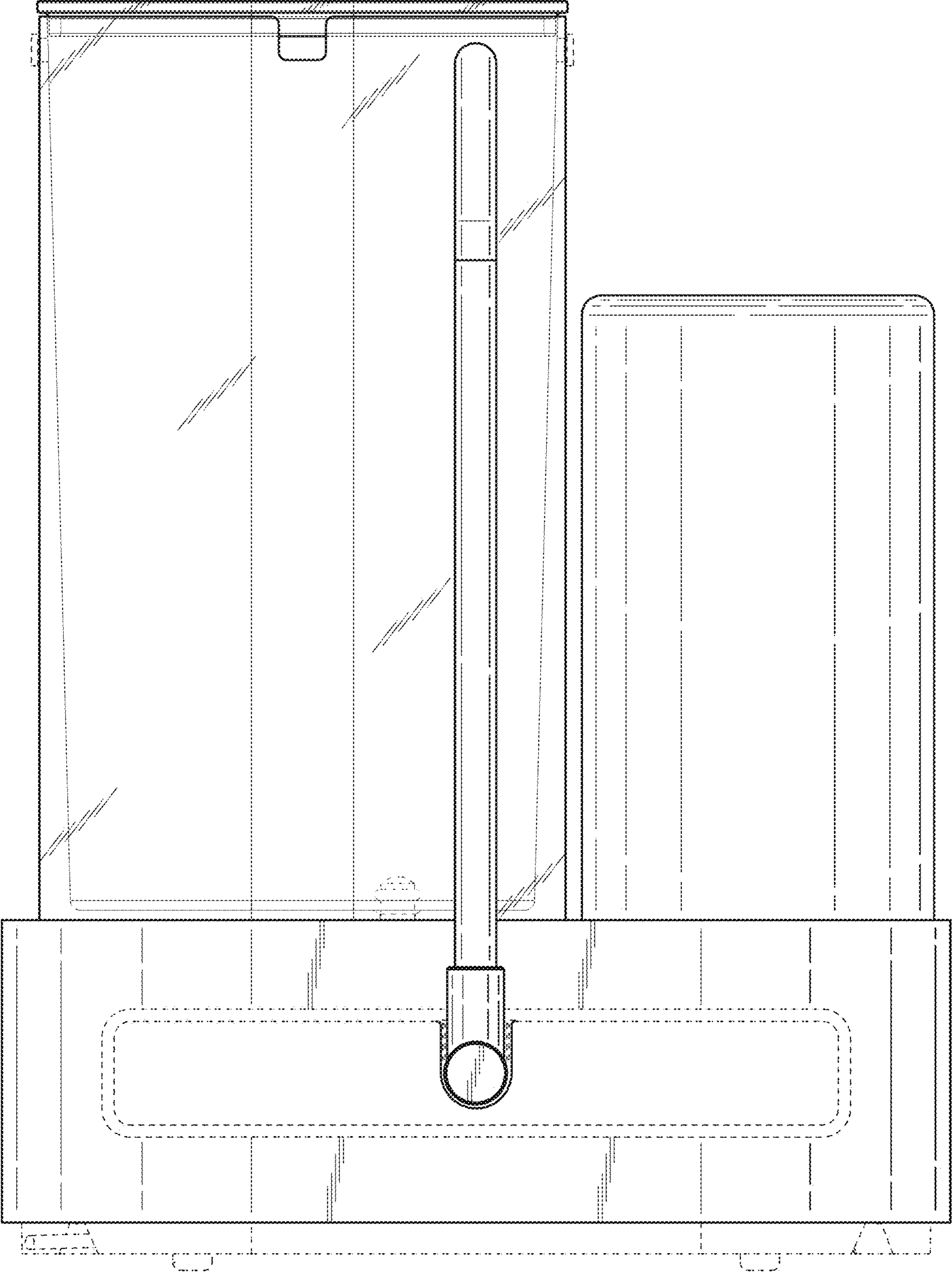
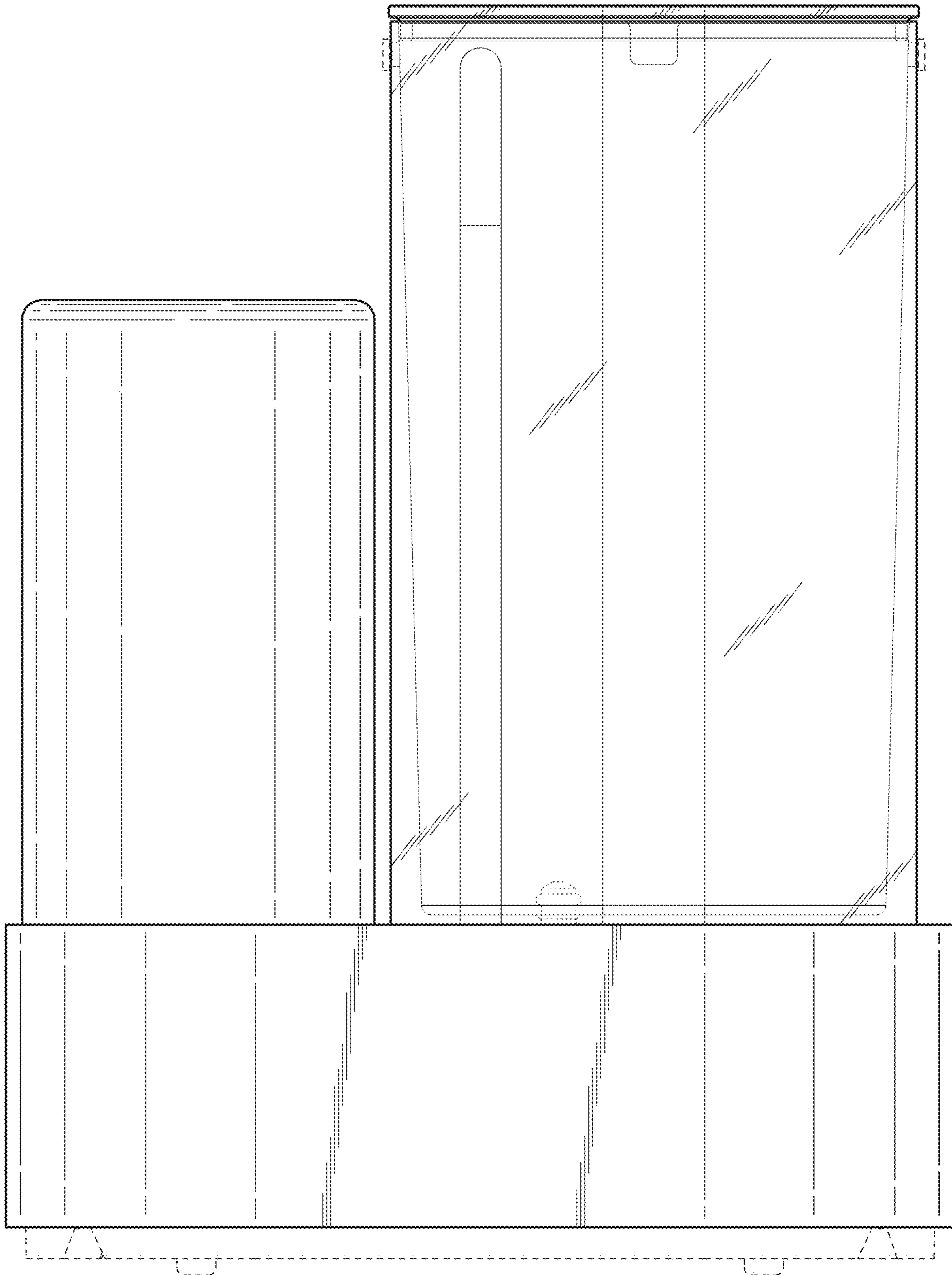


FIG. 2



*FIG. 3*

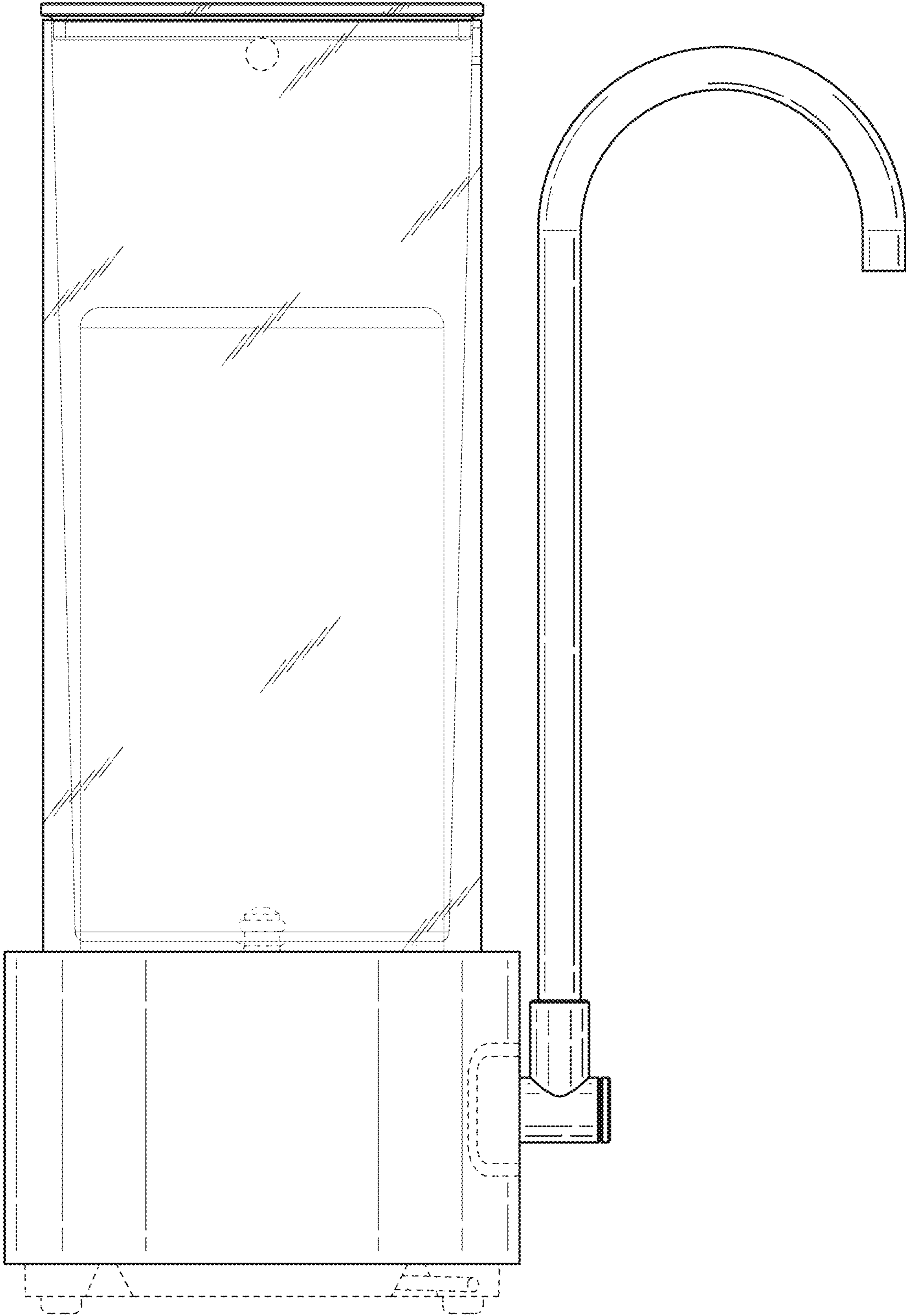
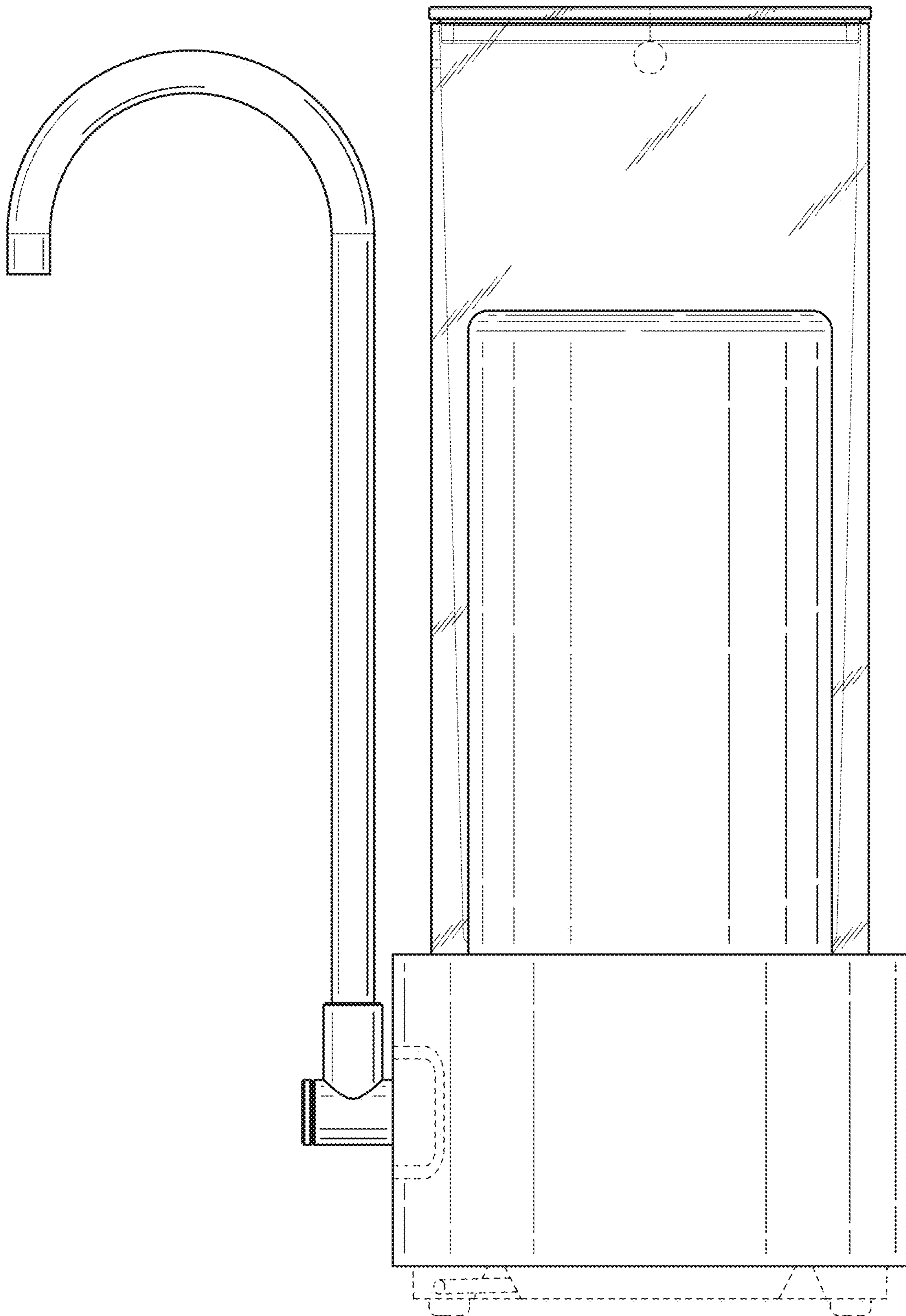
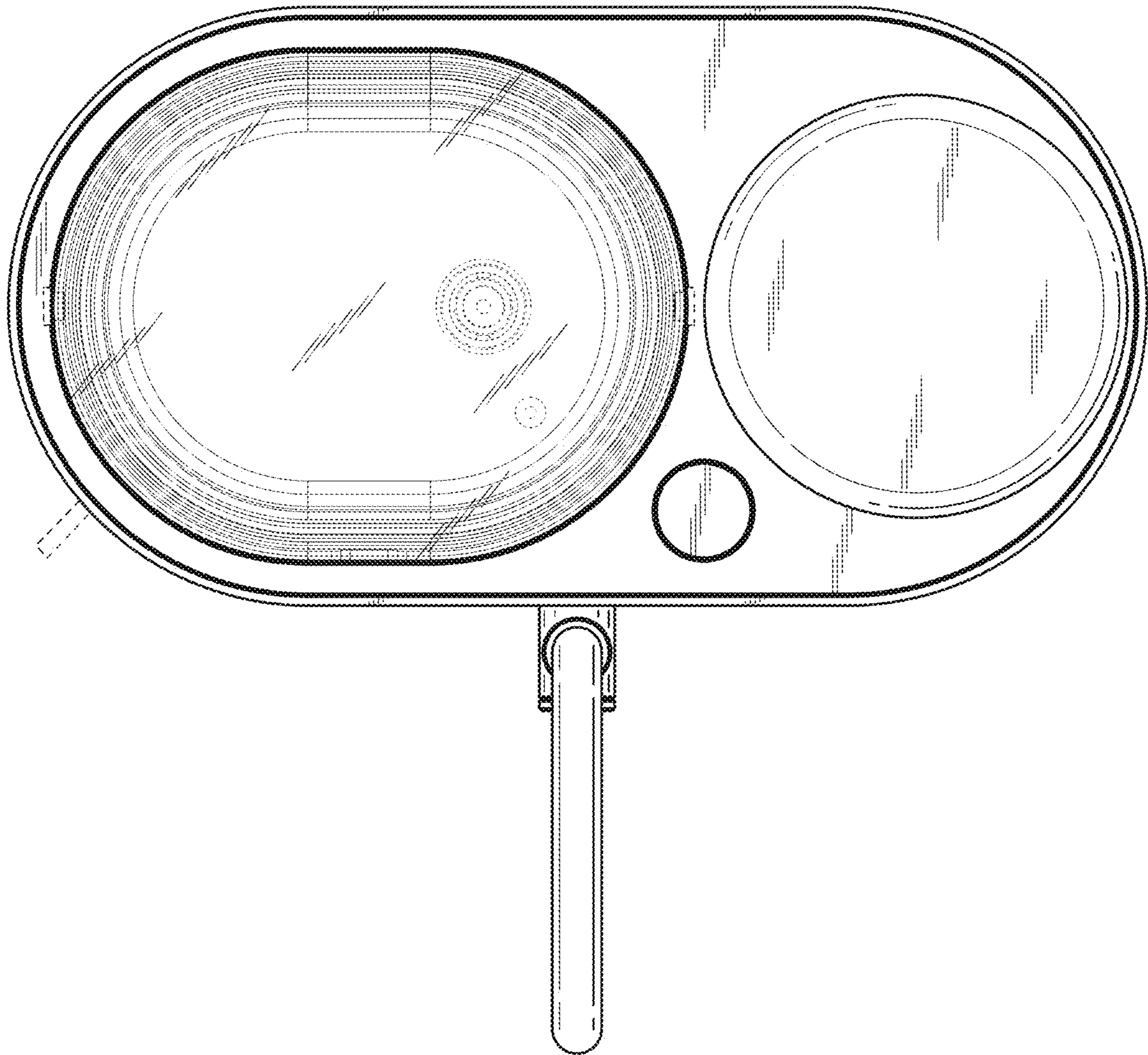


FIG. 4



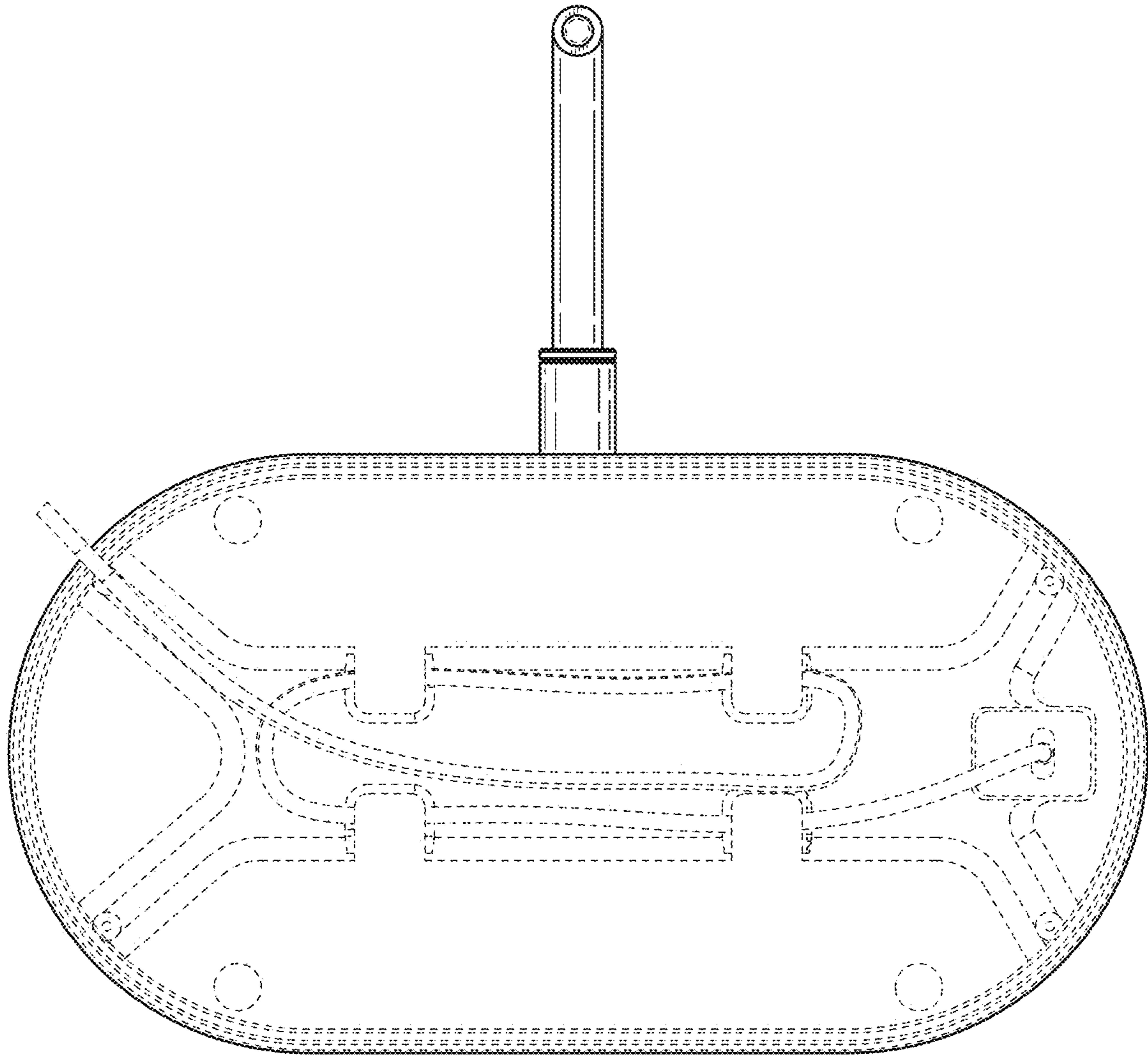


*FIG. 5*



*FIG. 6*





*FIG. 7*