



US00D949614S

(12) **United States Design Patent**  
**Wang**

(10) **Patent No.:** **US D949,614 S**  
(45) **Date of Patent:** **\*\* Apr. 26, 2022**

- (54) **AUTOMOBILE HEADREST**
- (71) Applicant: **Shenzhen Huimeng Business Information Technology Co., Ltd.**, Shenzhen (CN)
- (72) Inventor: **Yanli Wang**, Huizhou (CN)
- (73) Assignee: **Shenzhen Huimeng Business Information Technology Co., Ltd.**, Guangdong (GN)
- (\*\*) Term: **15 Years**
- (21) Appl. No.: **29/732,648**
- (22) Filed: **Apr. 27, 2020**
- (30) **Foreign Application Priority Data**  
Feb. 27, 2020 (CN) ..... 202030062704.8
- (51) **LOC (13) Cl.** ..... **06-01**
- (52) **U.S. Cl.**  
USPC ..... **D6/716.5**
- (58) **Field of Classification Search**  
USPC ..... D6/334-336, 356, 364, 365, 366, 367, D6/716, 716.1, 716.4, 716.5, 601  
CPC .. A47C 7/38; A47C 7/386; B60N 2/00; B60N 2/20; B60N 2/58; B60N 2/64; B60N 2/646; B60N 2/686; B60N 2/80; B60N 2/803; B60N 2/806; B60N 2/882; B60N 2/885; A61H 23/0218  
See application file for complete search history.

- 5,154,477 A \* 10/1992 Lacy ..... B60N 2/882 297/DIG. 6
- 5,211,696 A \* 5/1993 Lacy ..... B60N 2/885 297/391
- 5,374,238 A \* 12/1994 Xiao ..... A61H 23/0218 601/56
- 6,669,300 B1 \* 12/2003 Lee ..... B60N 2/882 297/397
- D539,572 S \* 4/2007 Nguyen ..... D6/716.5
- D708,886 S \* 7/2014 Braca ..... D6/716.5
- D852,564 S \* 7/2019 Li ..... D6/716.5
- D937,591 S \* 12/2021 Wu ..... D6/356
- 11,225,180 B2 \* 1/2022 Wang ..... B60N 2/885

\* cited by examiner

*Primary Examiner* — Mimosa De  
(74) *Attorney, Agent, or Firm* — ScienBiziP, P.C.

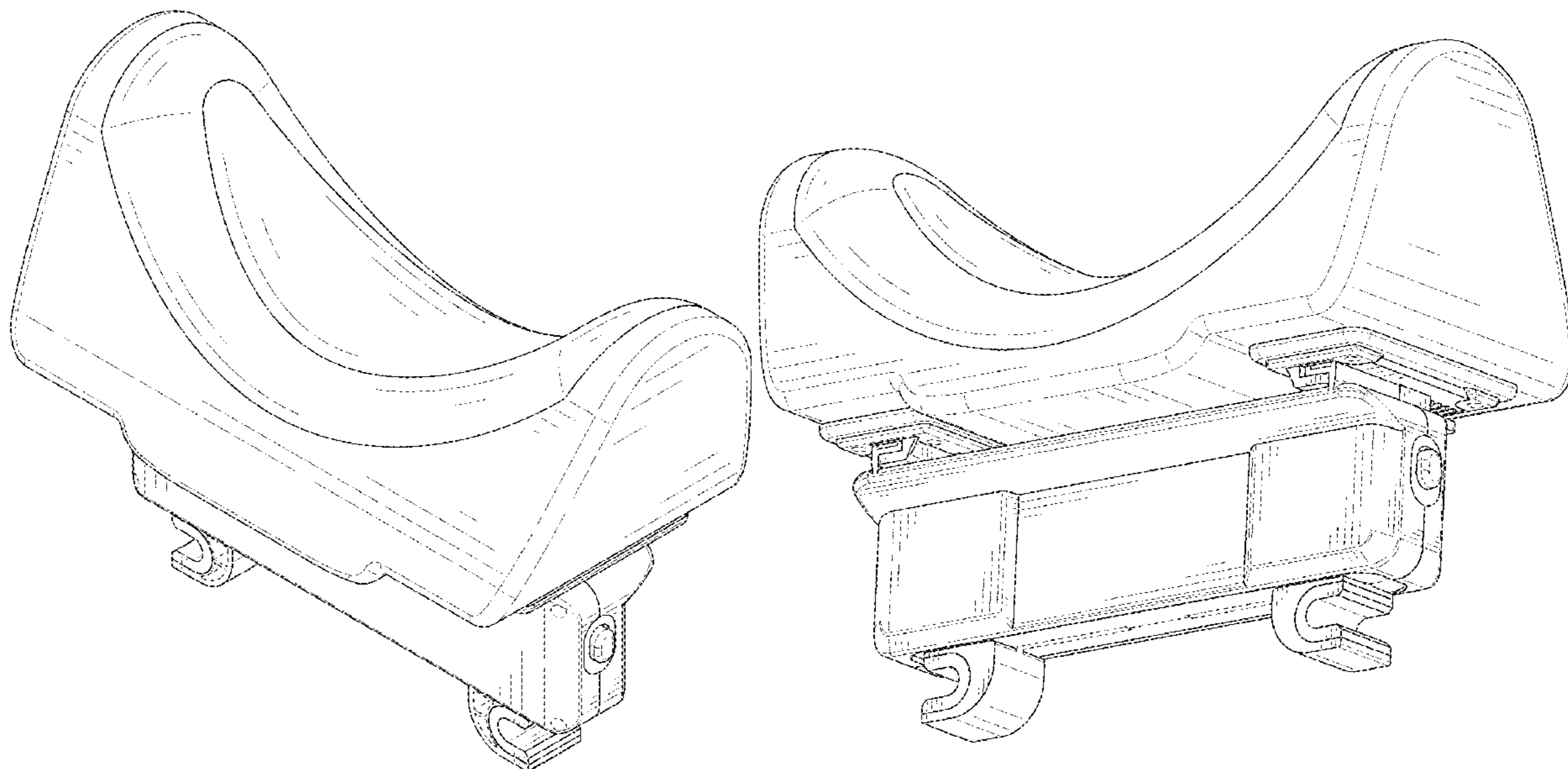
(57) **CLAIM**

The ornamental design for an automobile headrest, as shown and described.

**DESCRIPTION**

FIG. 1 is a perspective view of an automobile headrest, showing my new design according to an embodiment; FIG. 2 is another perspective view thereof; FIG. 3 is a front view thereof; FIG. 4 is a rear view thereof; FIG. 5 is a left side view thereof; FIG. 6 is a right side view thereof; FIG. 7 is a top plan view thereof; and, FIG. 8 is a bottom plan view thereof. The broken line shown are included for the purpose of illustrating portions of the automobile headrest which form no part of the claimed design.

**1 Claim, 8 Drawing Sheets**



- (56) **References Cited**  
U.S. PATENT DOCUMENTS  
D247,312 S \* 2/1978 Zeiss ..... D6/601  
4,114,948 A \* 9/1978 Perkey ..... B60N 2/882 297/391

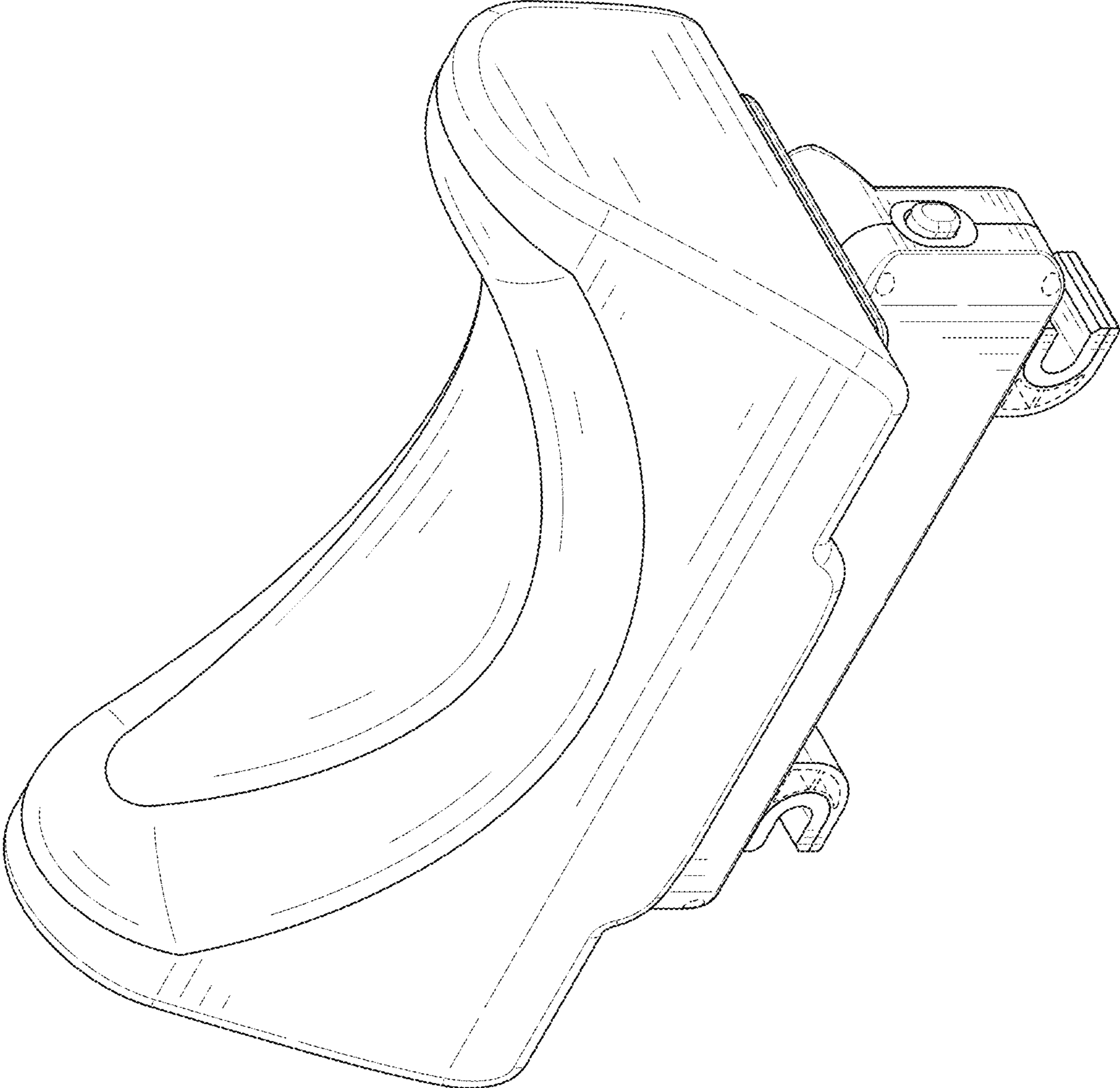


FIG. 1

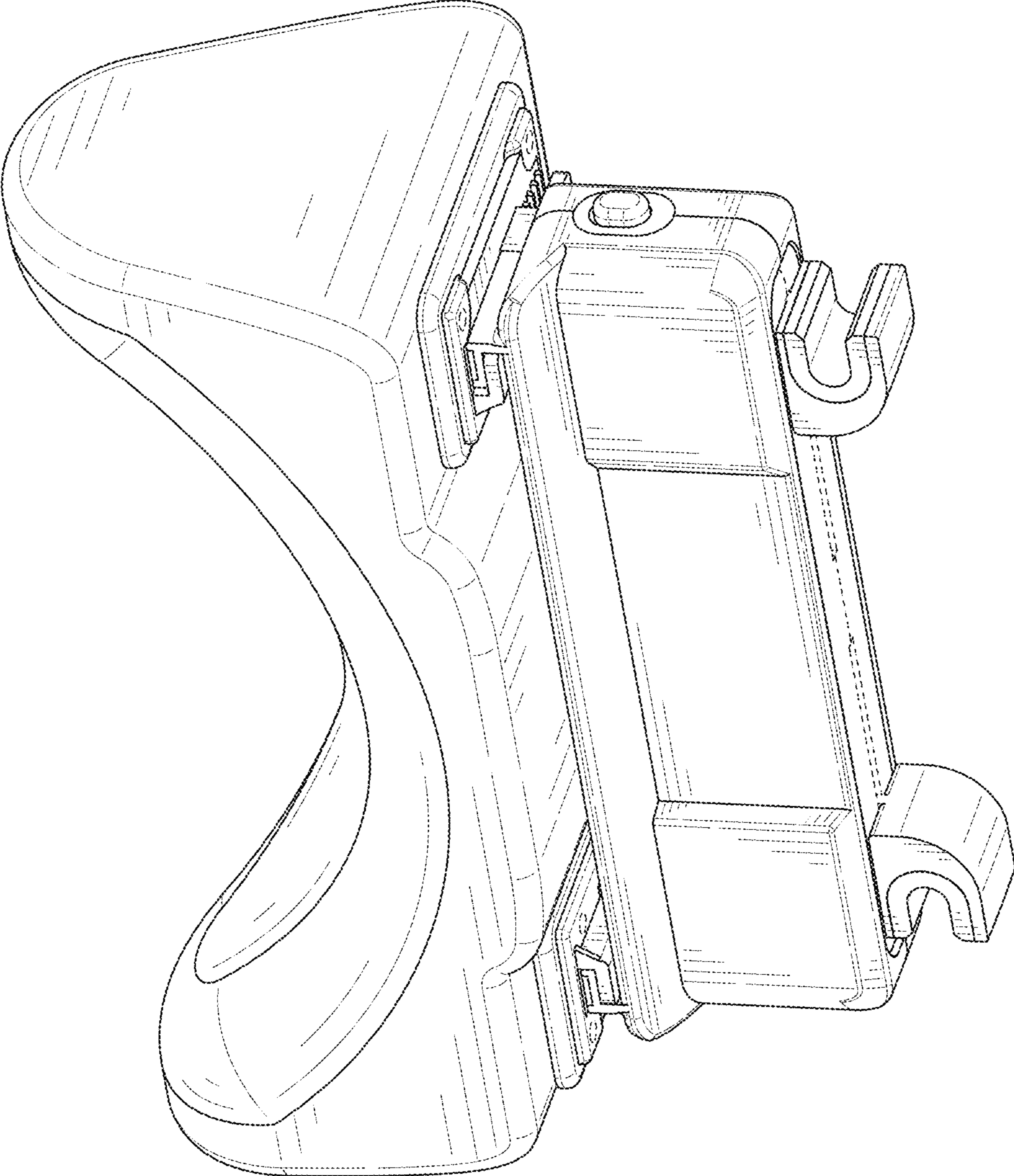


FIG. 2



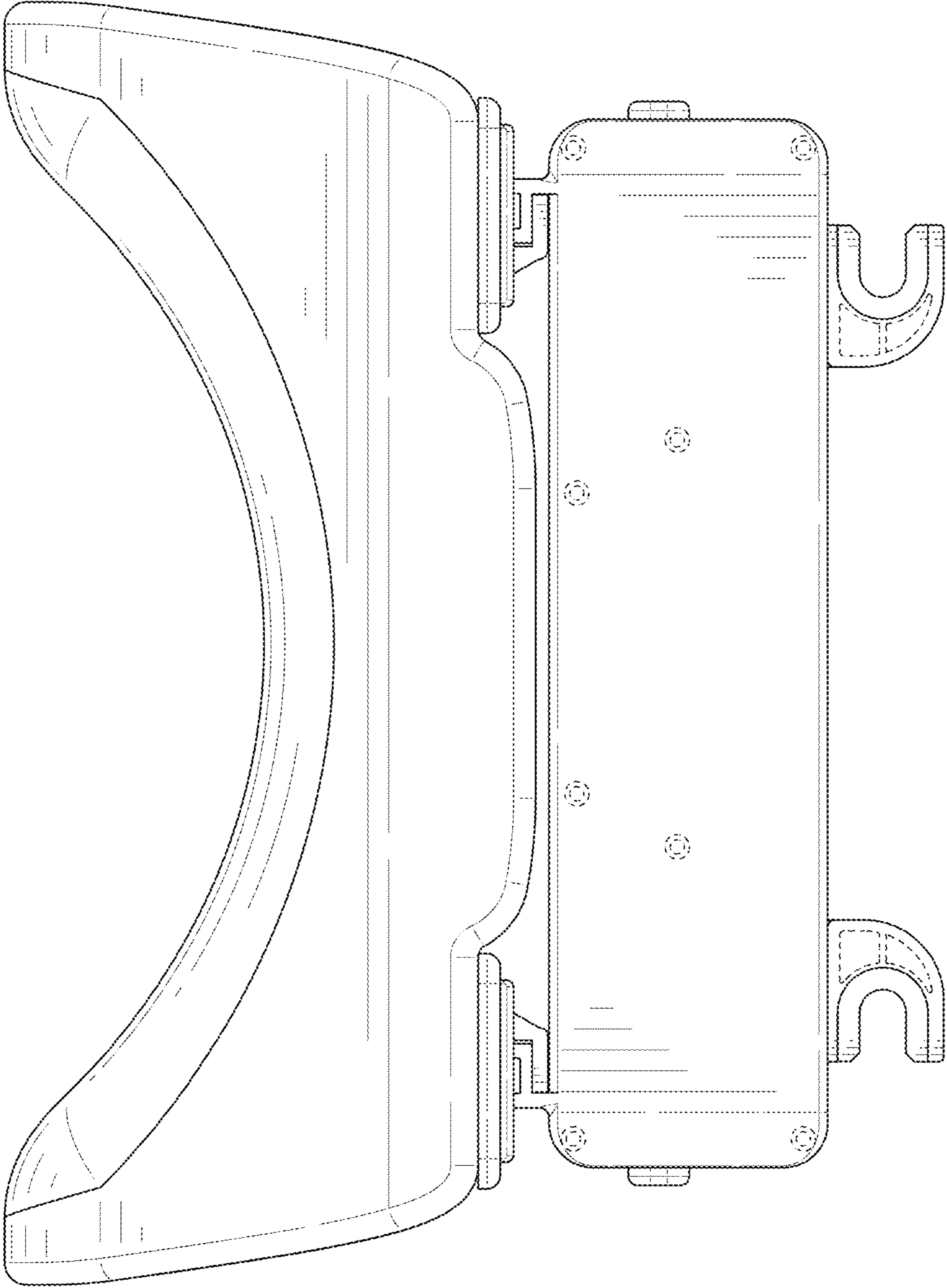


FIG. 3

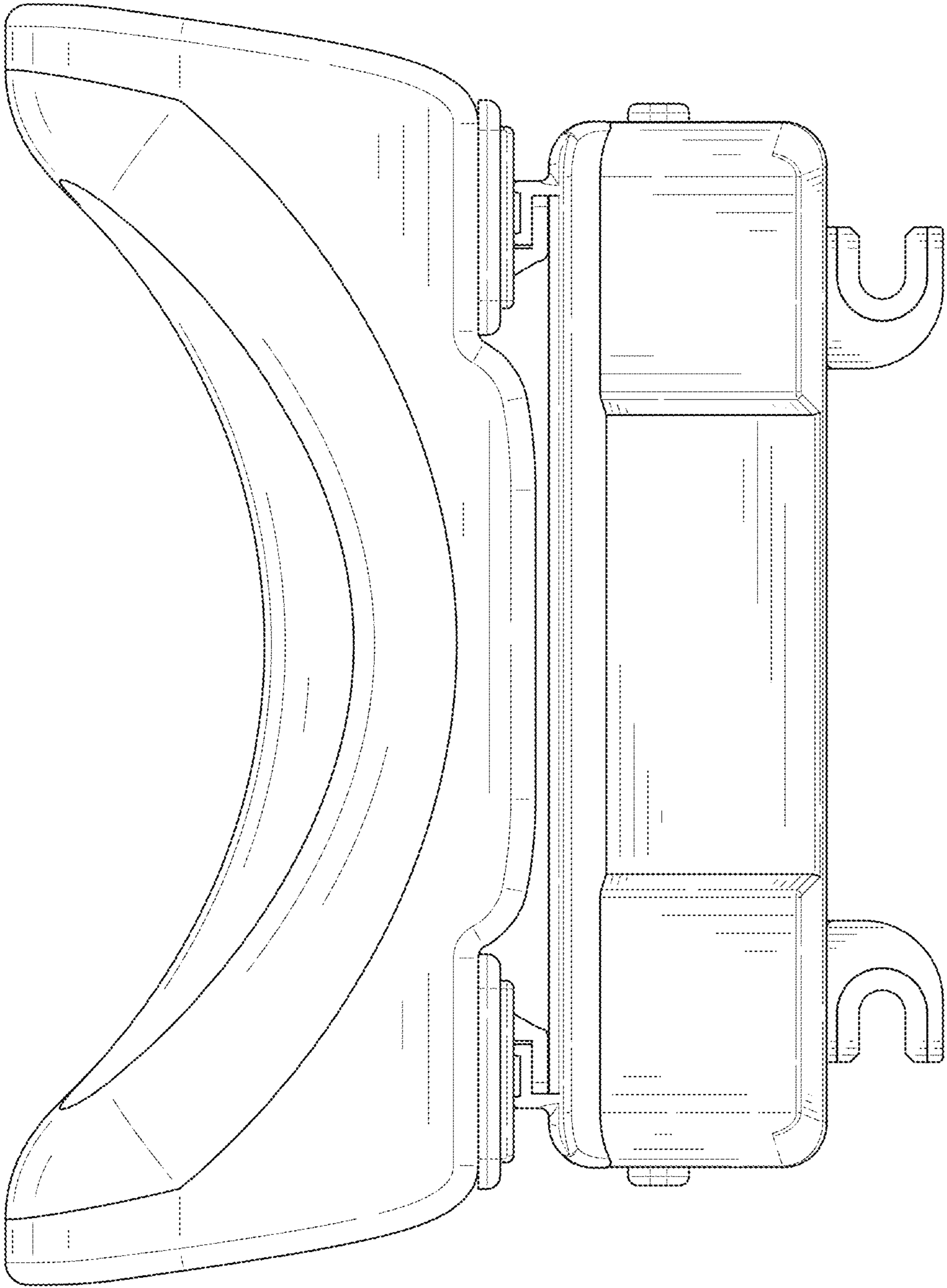


FIG. 4

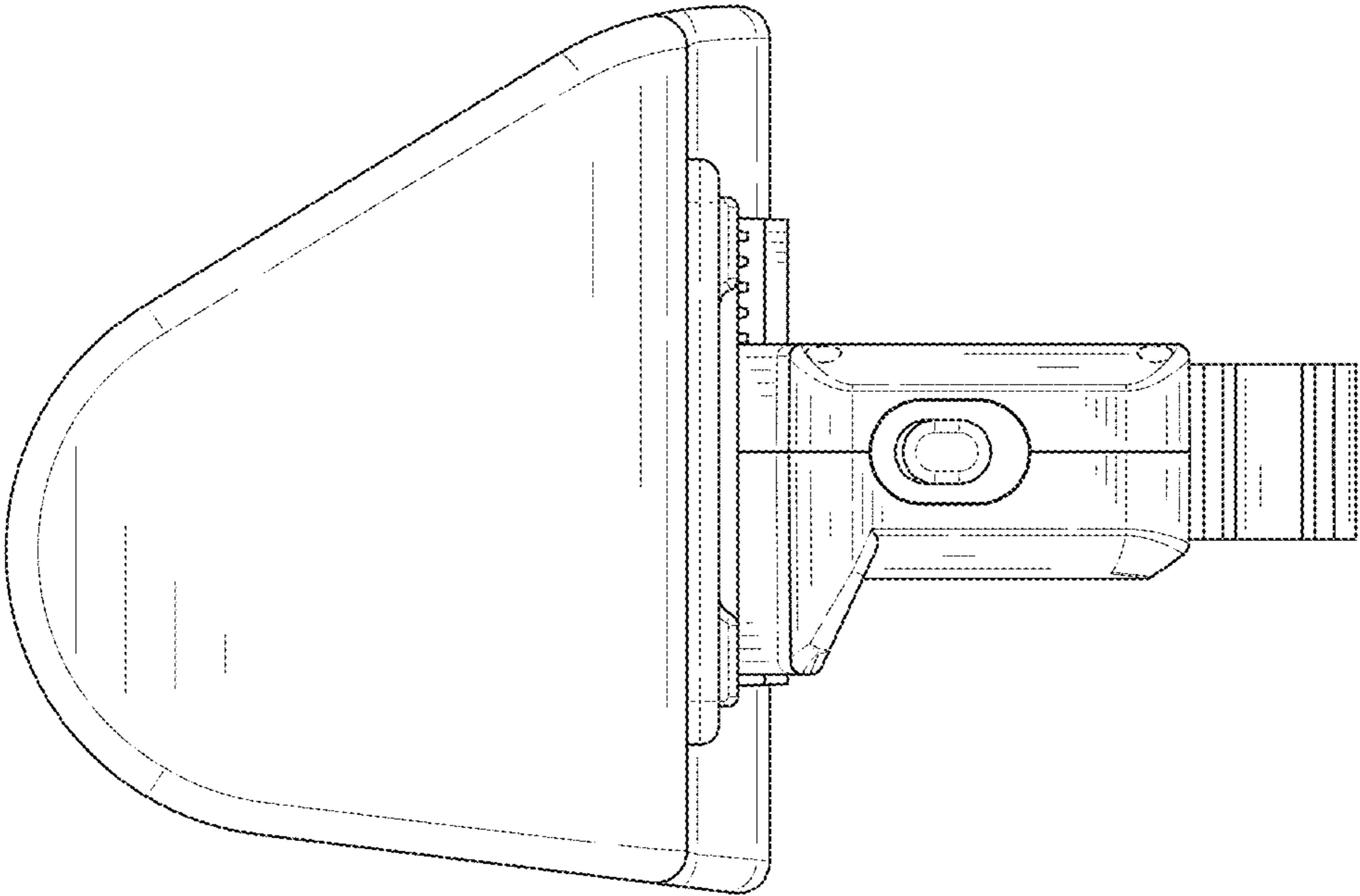


FIG. 5

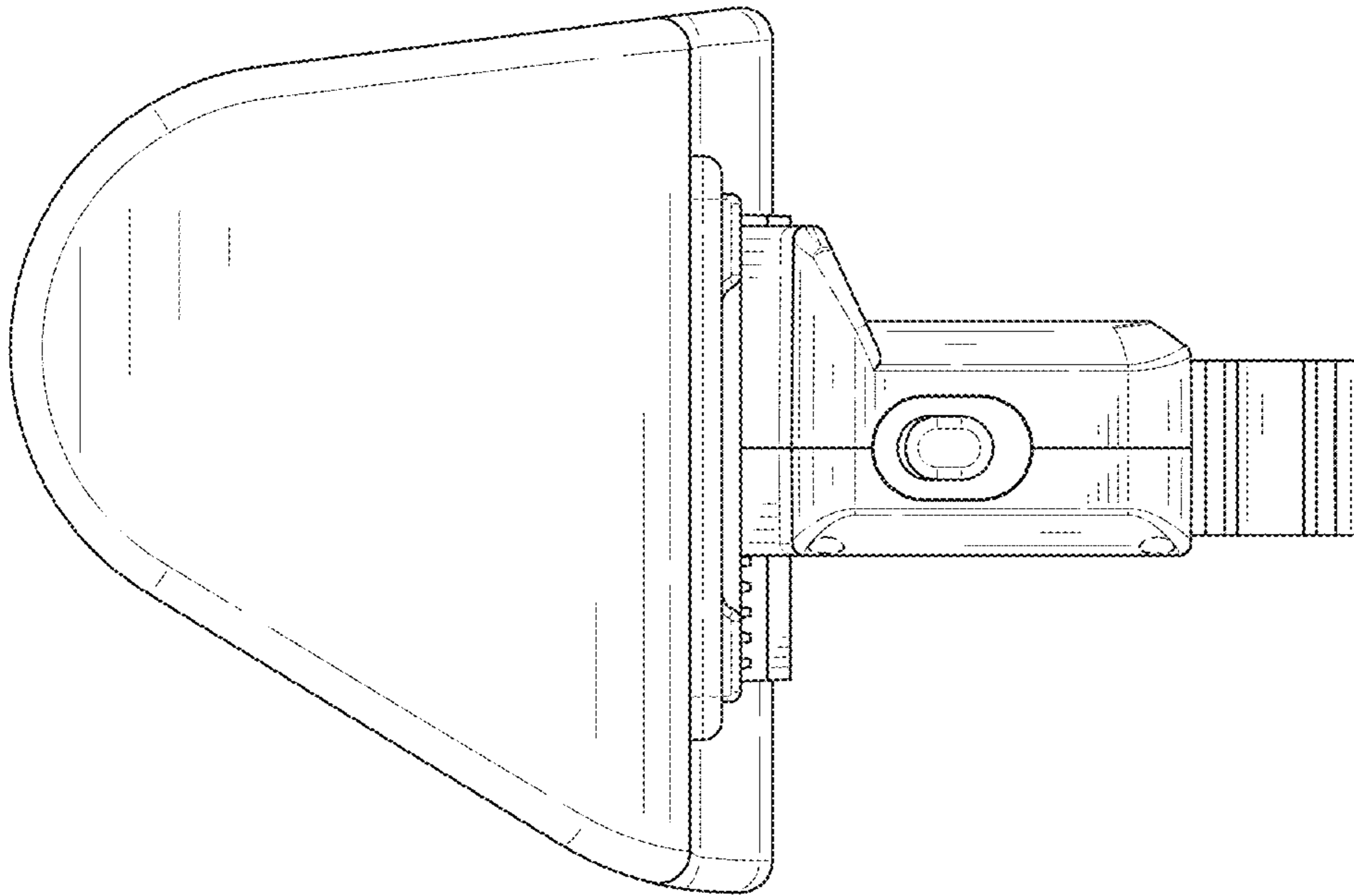


FIG. 6

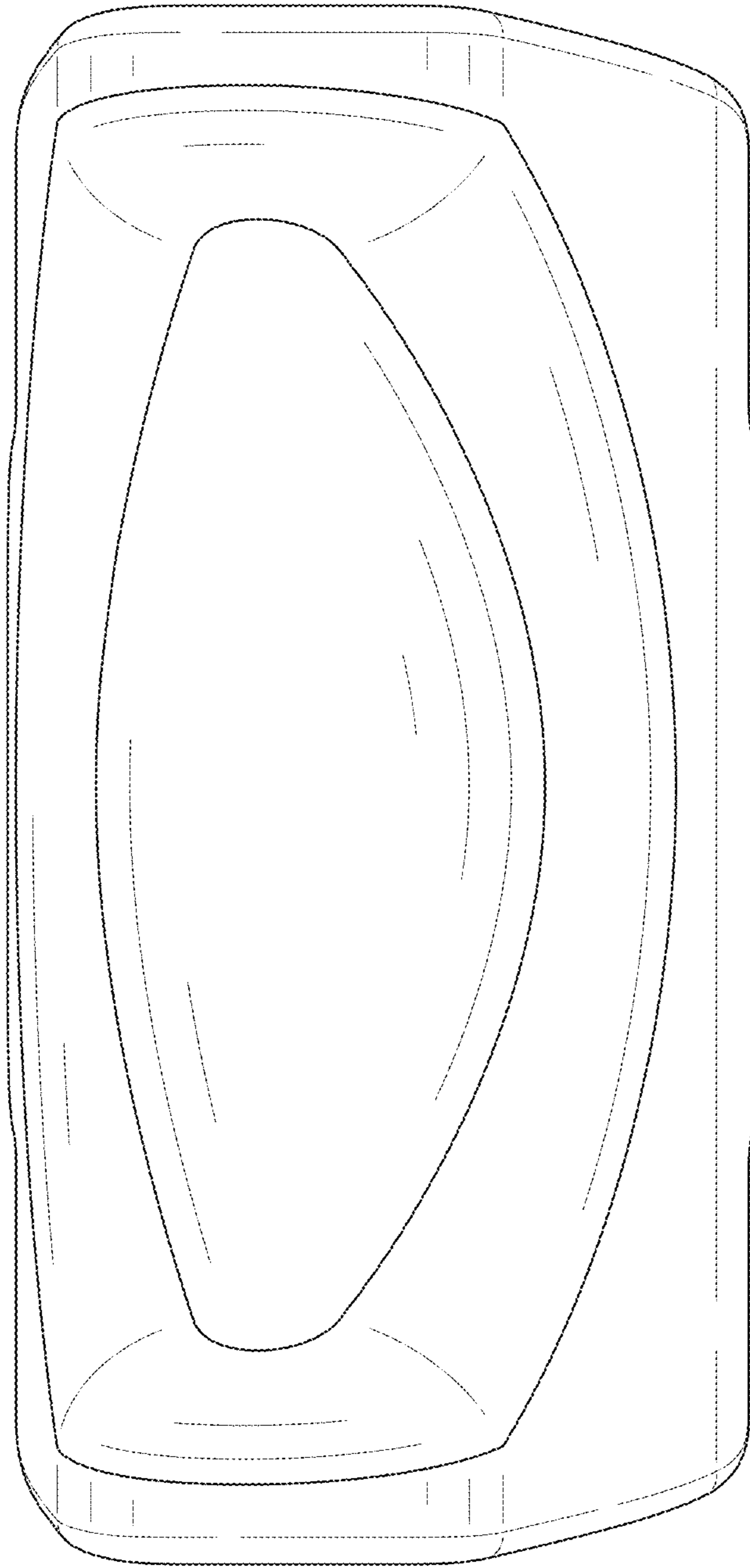


FIG. 7



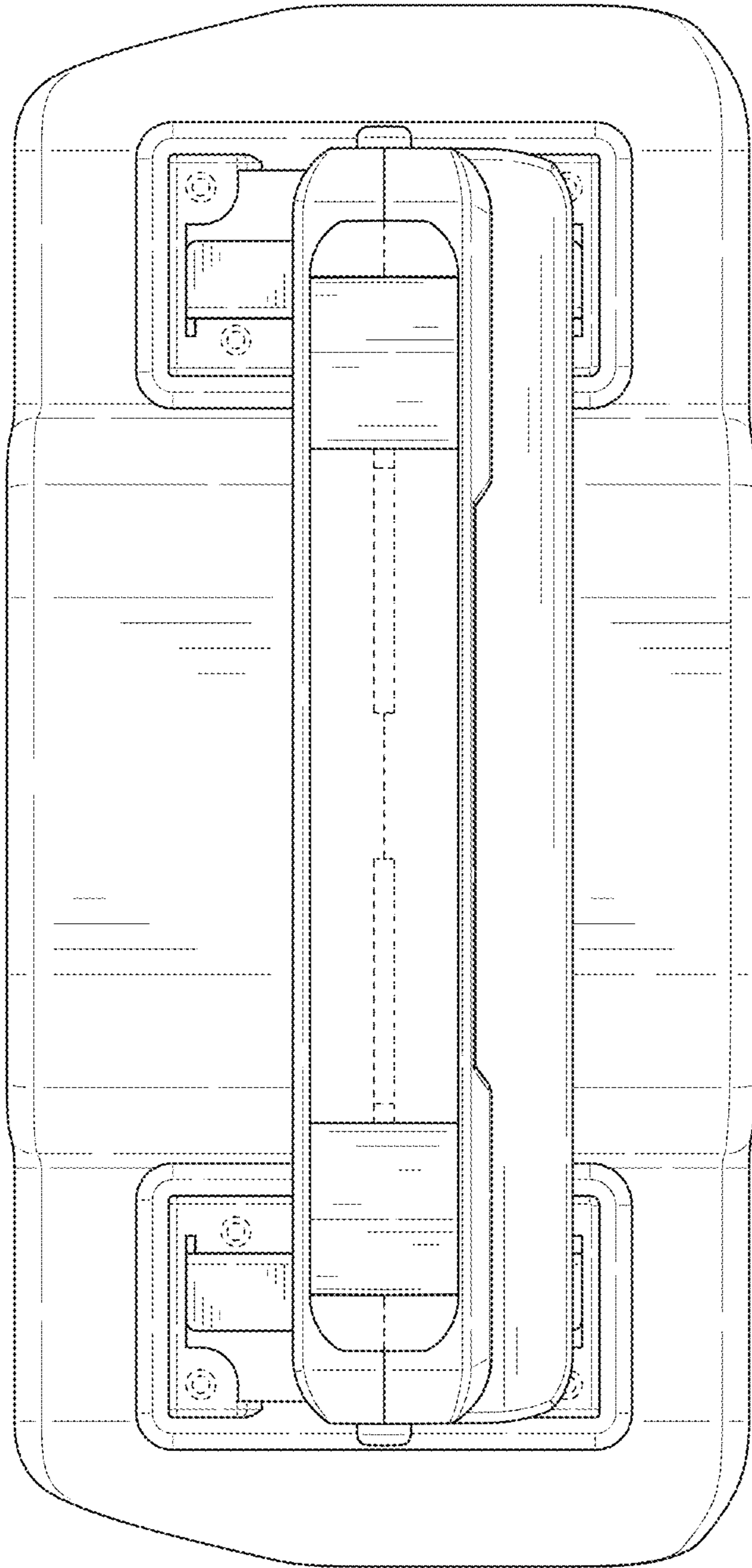


FIG. 8