



US00D949613S

(12) **United States Design Patent** (10) **Patent No.:** **US D949,613 S**
Rowe et al. (45) **Date of Patent:** **** Apr. 26, 2022**

(54) **VEHICLE SEAT**

(71) Applicant: **Textron Aviation Inc.**, Wichita, KS (US)
 (72) Inventors: **Frank Joseph Rowe**, Wichita, KS (US); **Michael Seibel**, Wichita, KS (US); **David Wayne Davis**, Wichita, KS (US)

(73) Assignee: **Textron Innovation, Inc.**, Providence, RI (US)

(**) Term: **15 Years**

(21) Appl. No.: **29/717,273**

(22) Filed: **Dec. 16, 2019**

(51) **LOC (13) Cl.** **06-01**

(52) **U.S. Cl.**
USPC **D6/716; D6/356**

(58) **Field of Classification Search**
 USPC D6/334-336, 356, 364, 365, 366, 367, D6/374, 375, 379, 716, 716.1, 716.3, D6/716.4, 716.5
 CPC A47C 4/028; A47C 7/004; A47C 7/006; A47C 7/18; A47C 7/24; A47C 7/38; A47C 7/40; B60N 2/02; B60N 2/20; B60N 2/22; B60N 2/24; B60N 2/242; B60N 2/58

See application file for complete search history.

(56) **References Cited**

U.S. PATENT DOCUMENTS

8,042,874 B2 * 10/2011 Livengood B60N 2/58
 297/452.61
 D675,836 S * 2/2013 Szyma ski D6/356
 D723,822 S * 3/2015 Cai D6/356
 D725,927 S * 4/2015 Carter D6/356

* cited by examiner

Primary Examiner — Mimosa De

(74) *Attorney, Agent, or Firm* — Erise IP, P.A.

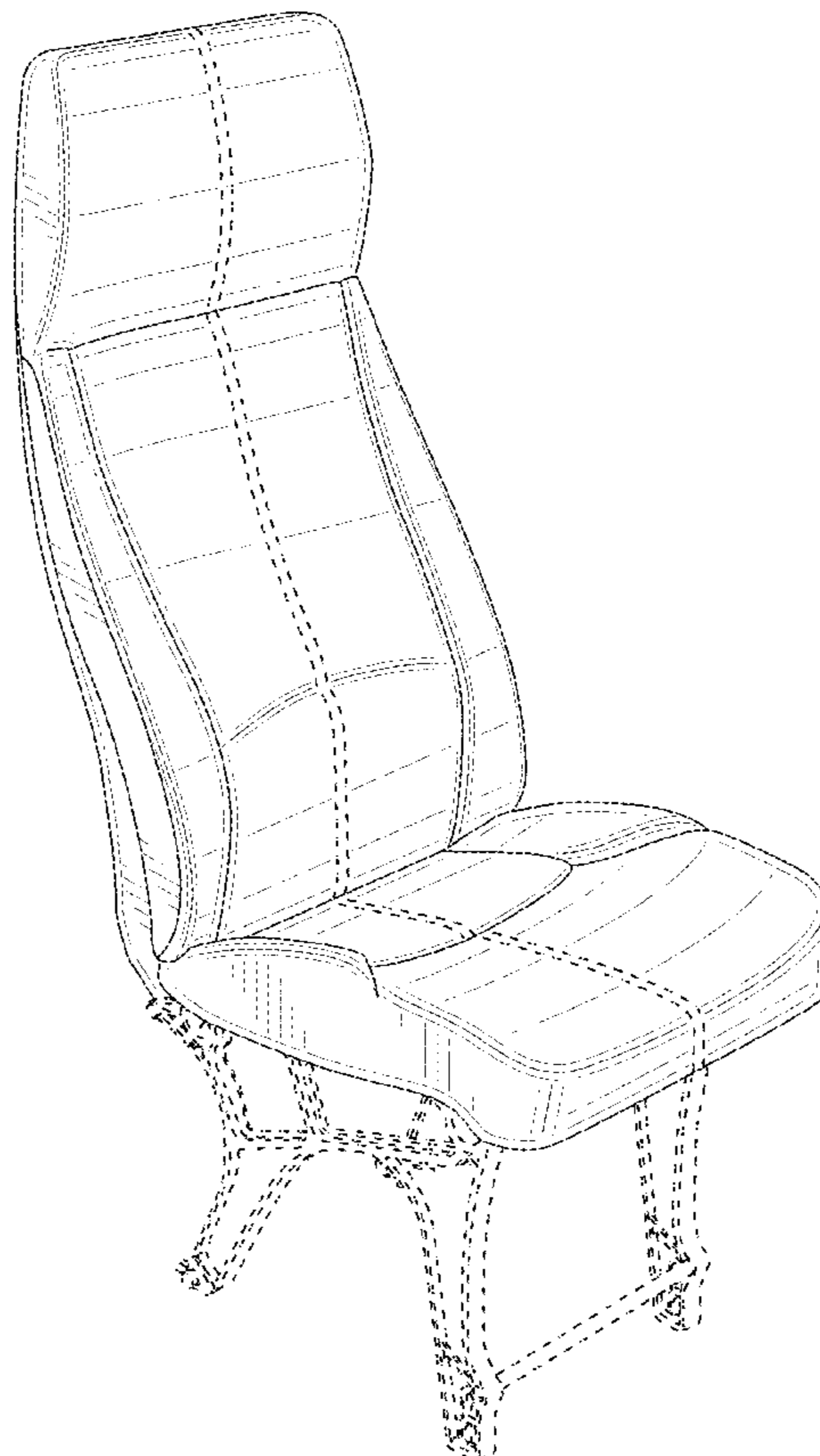
(57) **CLAIM**

The ornamental design for a vehicle seat, as shown and described.

DESCRIPTION

FIG. 1 is a right front perspective view;
 FIG. 2 is a left front perspective view;
 FIG. 3 is a front view;
 FIG. 4 is a back view;
 FIG. 5 is a left view;
 FIG. 6 is a right view;
 FIG. 7 is a top view; and,
 FIG. 8 is a bottom view.
 In FIGS. 1-8, broken lines indicate environmental structure that forms no part of the claimed design.

1 Claim, 8 Drawing Sheets



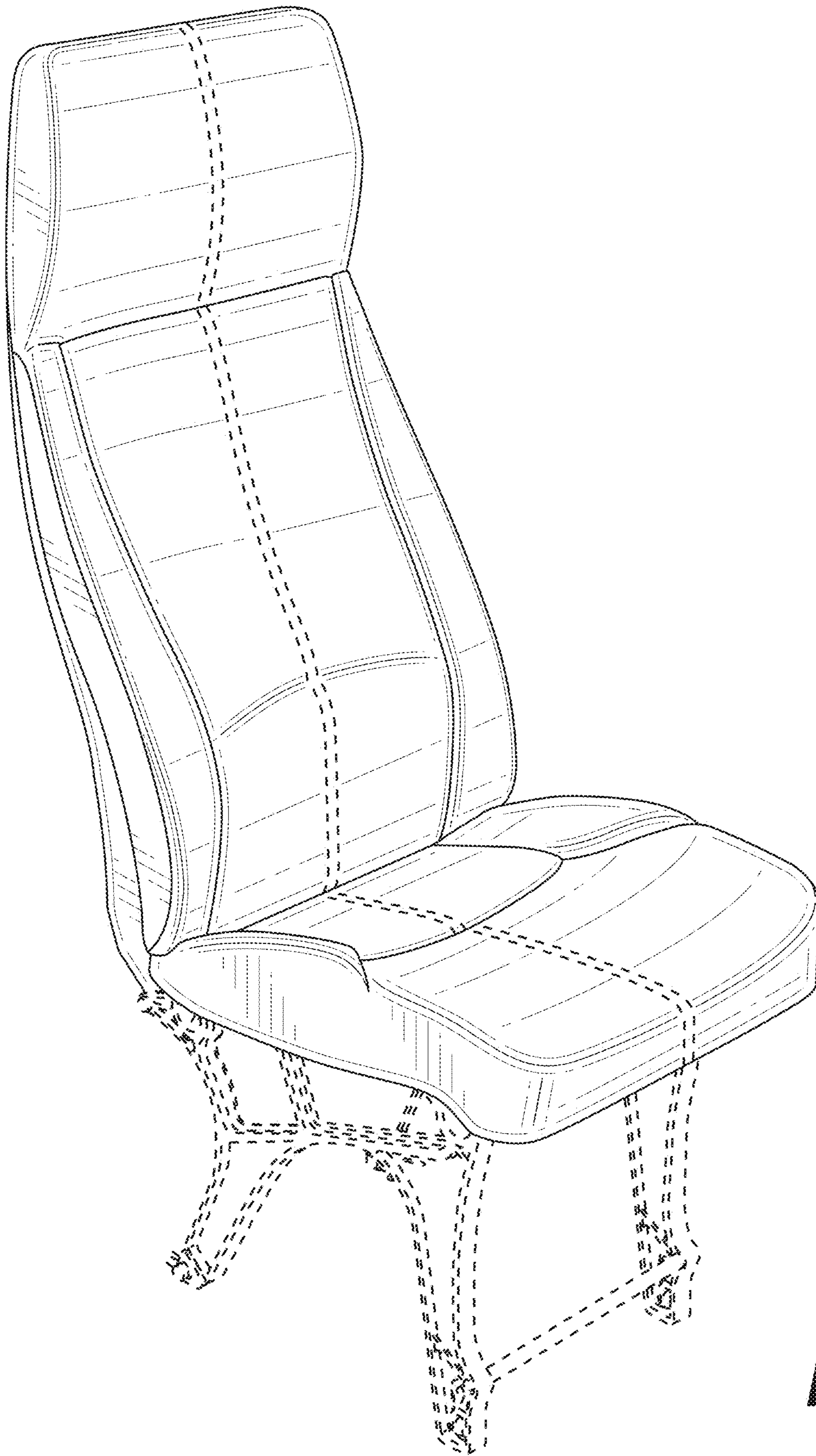


FIG. 1

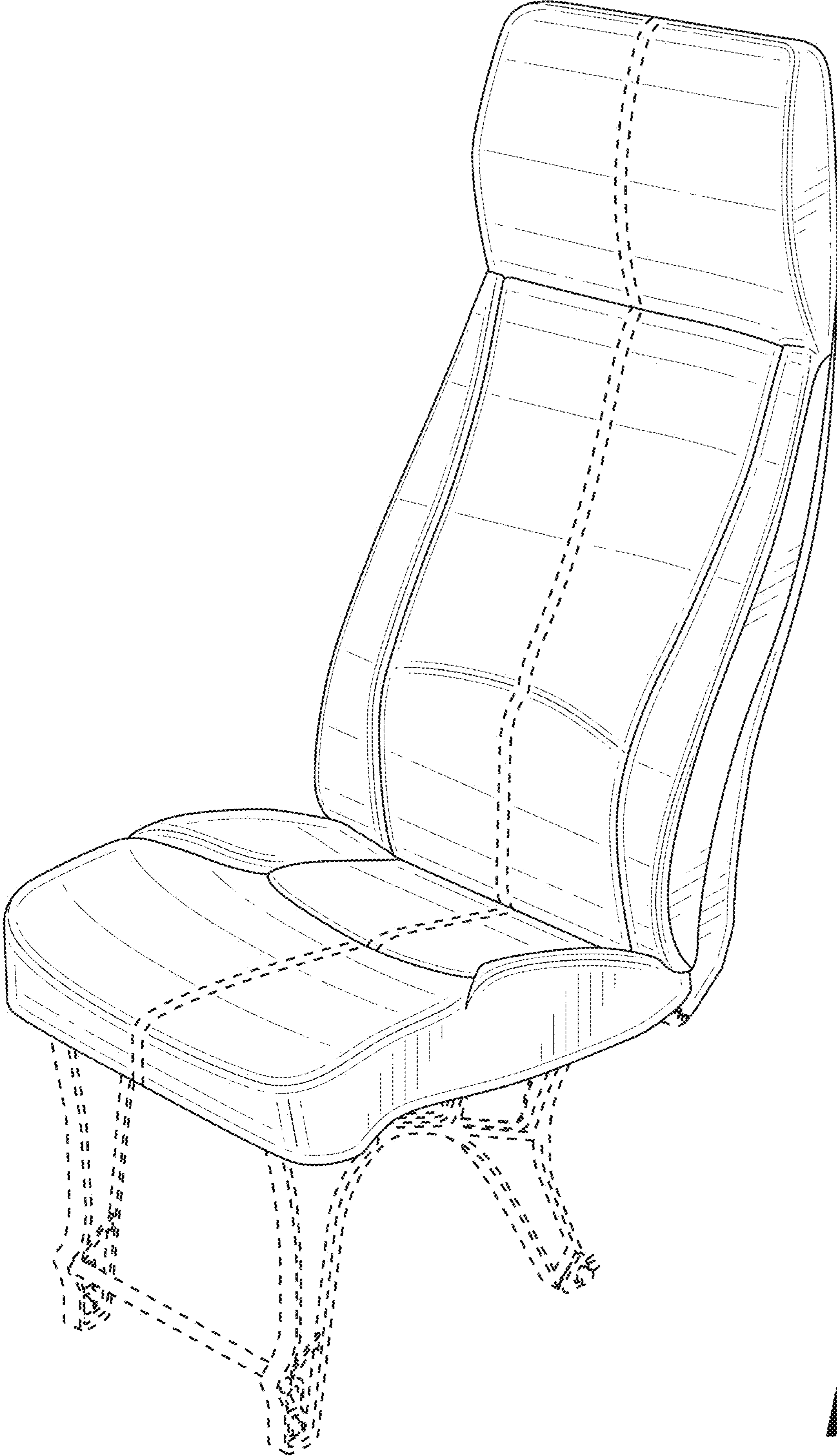


FIG. 2

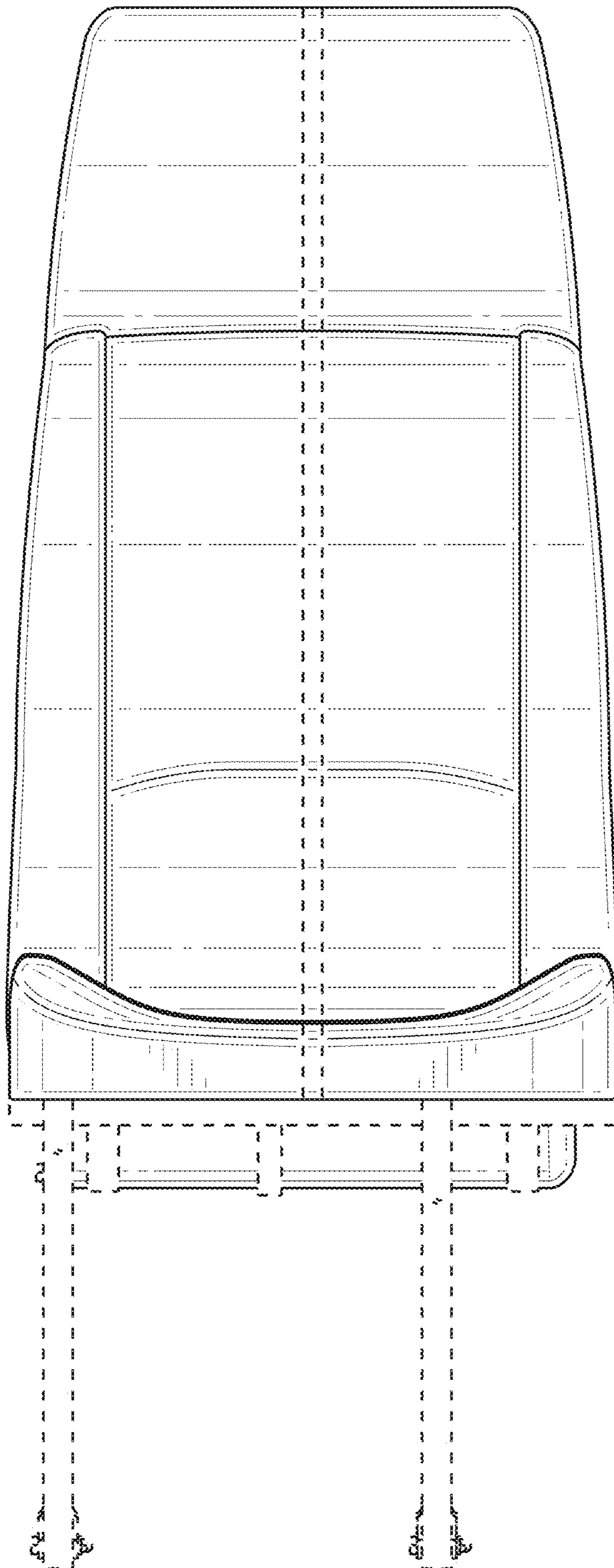


FIG. 3

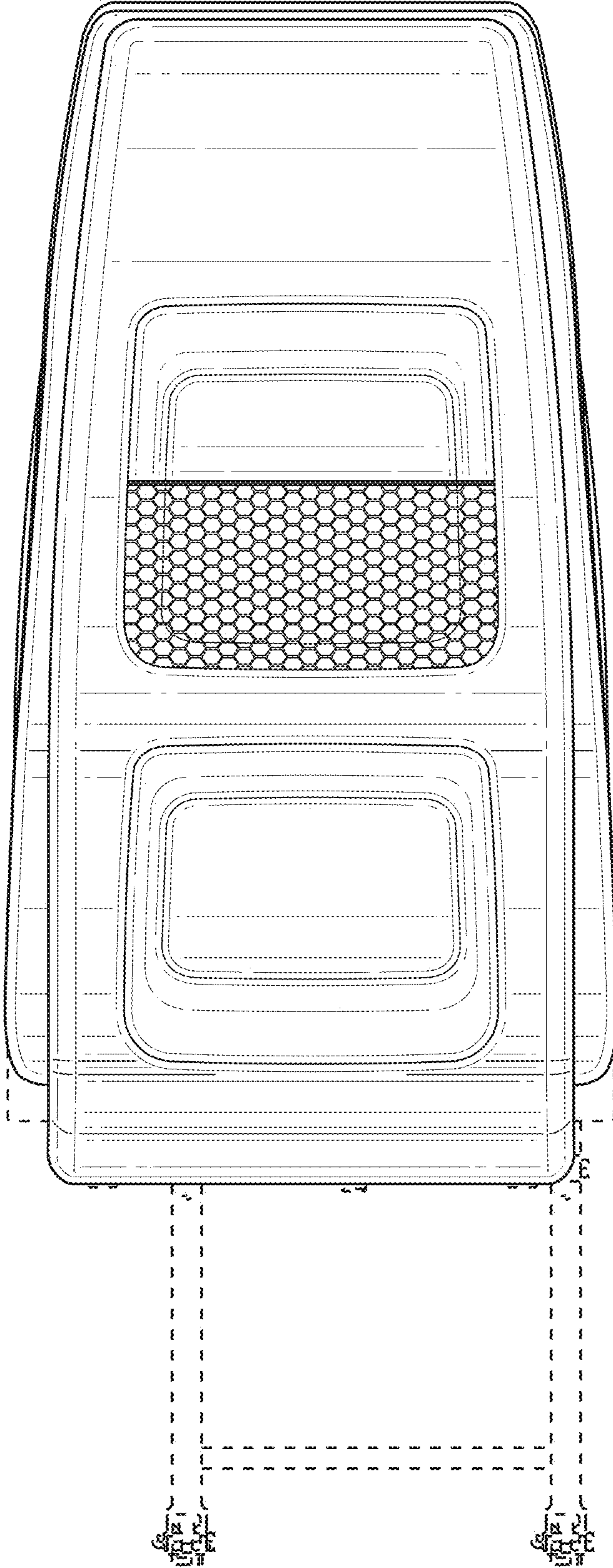


FIG. 4

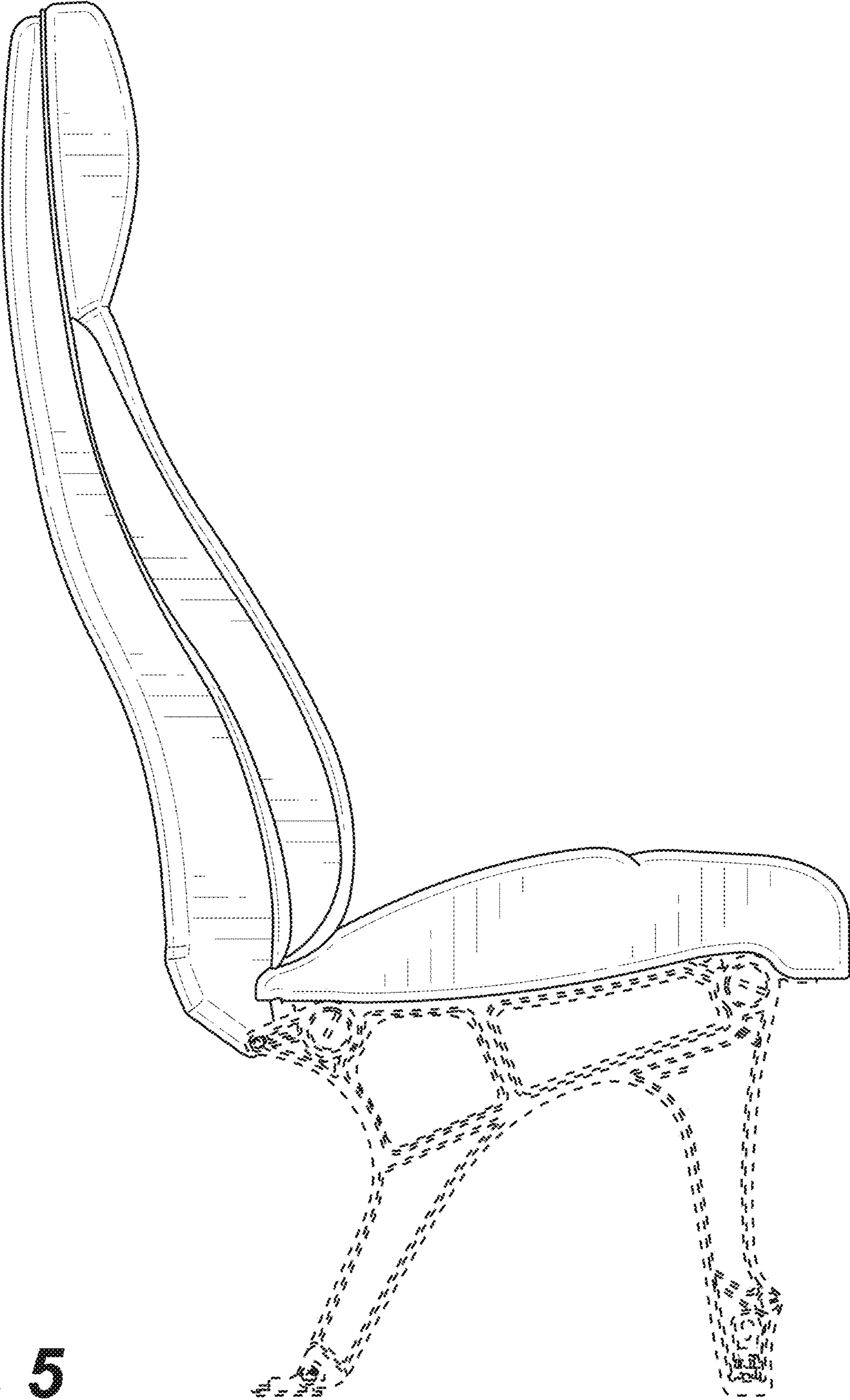


FIG. 5

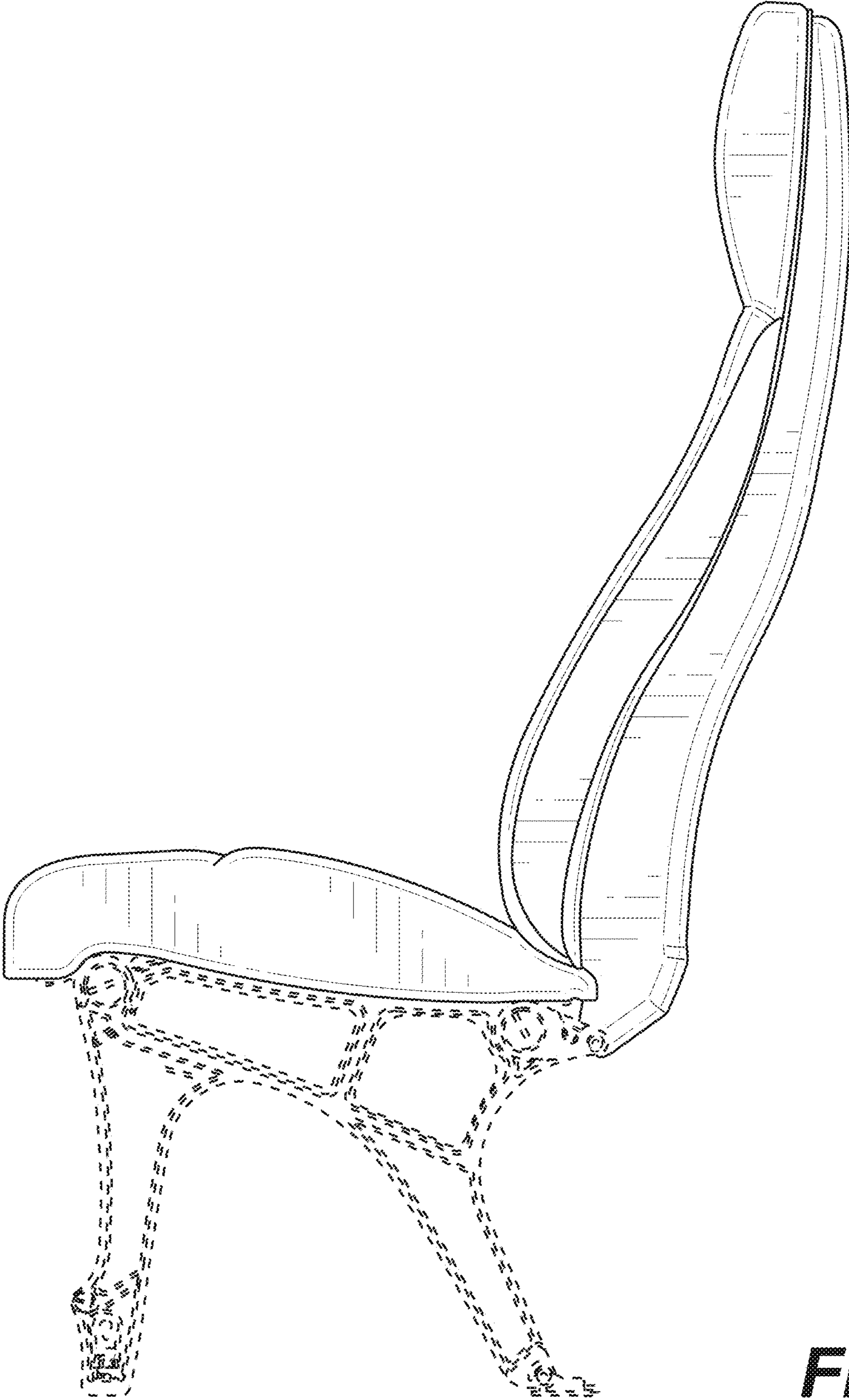


FIG. 6

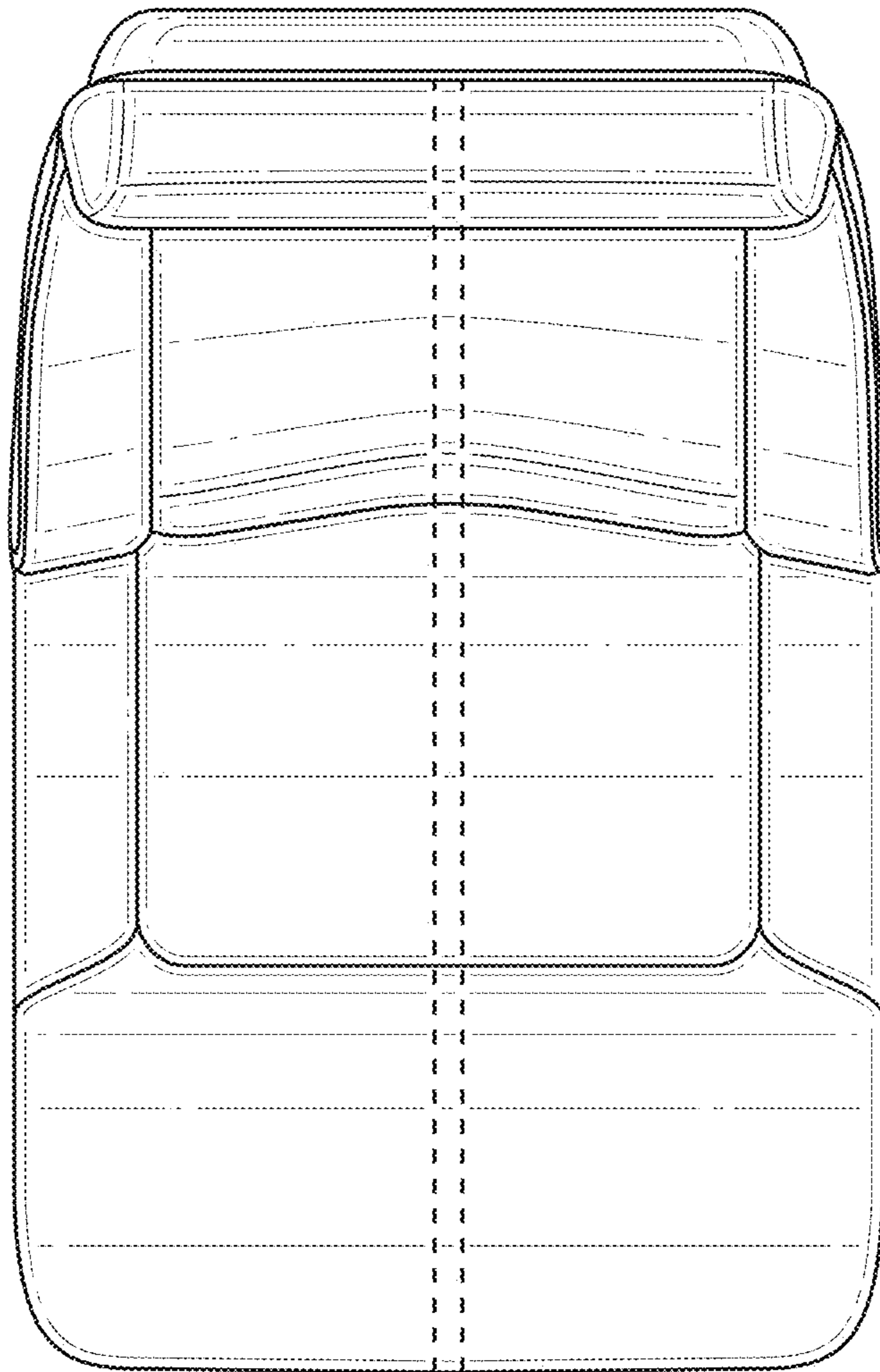


FIG. 7

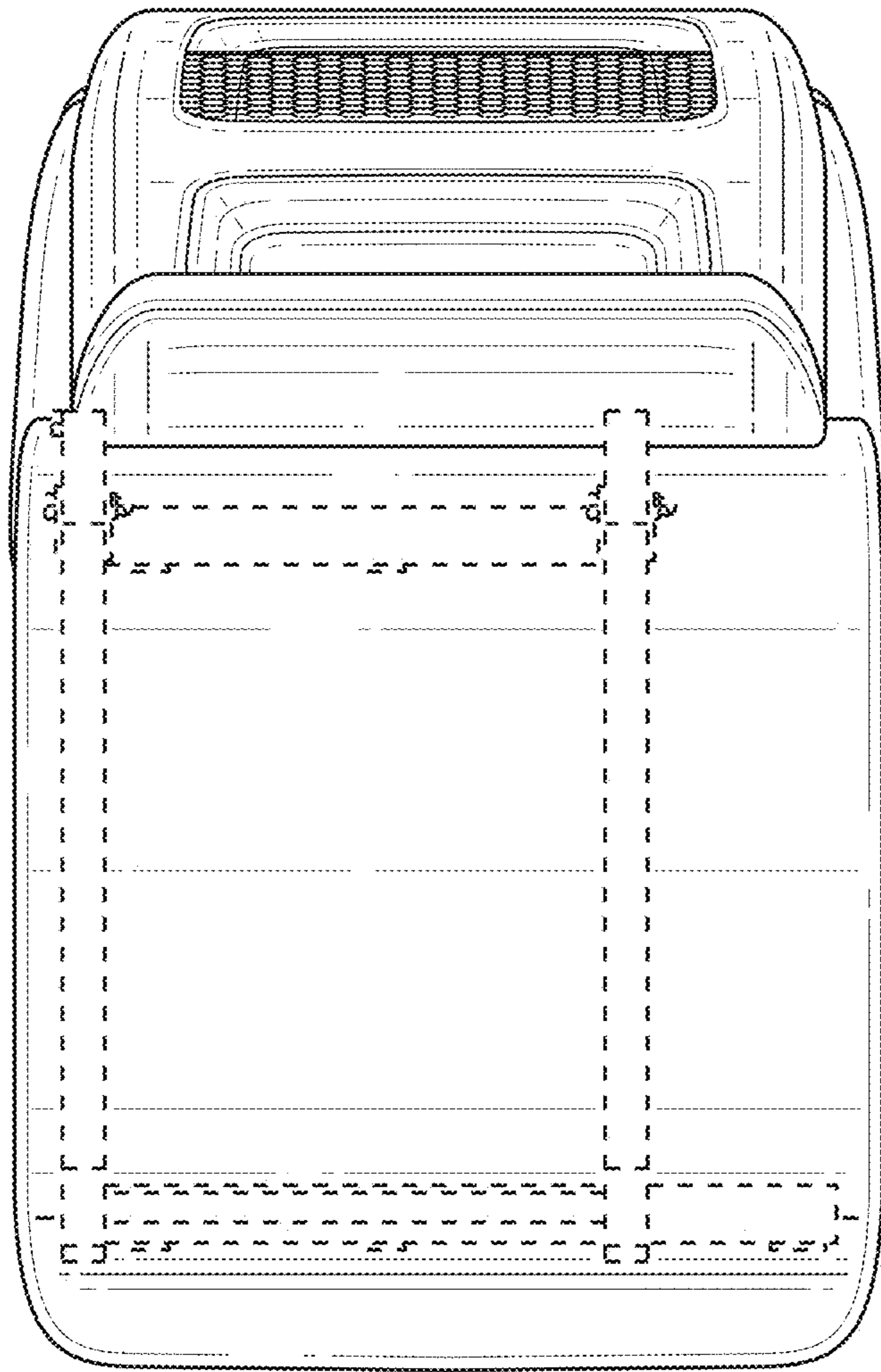


FIG. 8

UNITED STATES PATENT AND TRADEMARK OFFICE
CERTIFICATE OF CORRECTION

PATENT NO. : D949,613 S
APPLICATION NO. : 29/717273
DATED : April 26, 2022
INVENTOR(S) : Frank Joseph Rowe et al.

Page 1 of 1

It is certified that error appears in the above-identified patent and that said Letters Patent is hereby corrected as shown below:

On the Title Page

List all six inventors as:

Frank Joseph Rowe, of Wichita, Kansas
Michael Seibel, of Wichita, Kansas
David Wayne Davis, of Wichita, Kansas
Brent William Last, of Wichita, Kansas
Joe G. McGregor, of Haysville, Kansas
Sidney Aloysius Mohr, of Clearwater, Kansas

Signed and Sealed this
Seventh Day of May, 2024



Katherine Kelly Vidal
Director of the United States Patent and Trademark Office