

US00D949610S

(12) **United States Design Patent** (10) **Patent No.:** **US D949,610 S**
Ramos et al. (45) **Date of Patent:** **** Apr. 26, 2022**

(54) **TABLE**
(71) Applicant: **Steelcase Inc.**, Grand Rapids, MI (US)
(72) Inventors: **Ryan Jerome Ramos**, Lowell, MI (US); **Brian K. Snyder**, Middleville, MI (US); **Ryan D. Vaughan**, Grand Rapids, MI (US); **John Mark Allen**, Grand Rapids, MI (US); **Theodore Thomas**, Grand Rapids, MI (US); **Santiago Carral O’Gorman**, Grand Rapids, MI (US)

(73) Assignee: **Steelcase Inc.**, Grand Rapids, MI (US)

(**) Term: **15 Years**

(21) Appl. No.: **29/747,056**

(22) Filed: **Aug. 19, 2020**

(51) **LOC (13) Cl.** **06-03**

(52) **U.S. Cl.**
USPC **D6/696.2**

(58) **Field of Classification Search**
USPC D6/696–697.2
CPC .. A47B 13/10; A47B 7/00; A47B 9/00; A47B 13/08; A47B 13/12; A47B 17/00; A47B 19/00; A47B 21/00; A47B 2200/00
See application file for complete search history.

(56) **References Cited**

U.S. PATENT DOCUMENTS

| | | | |
|---------------|---------|----------|---------------------|
| D140,501 S | 3/1945 | Fletcher | |
| D165,584 S * | 1/1952 | Johnson | D6/696 |
| D166,360 S * | 4/1952 | Shinn | D6/696 |
| D166,377 S | 4/1952 | Curtis | |
| D175,110 S | 7/1955 | Howard | |
| D175,651 S | 9/1955 | Schwartz | |
| D178,297 S | 7/1956 | Little | |
| 3,106,901 A * | 10/1963 | Locek | F16B 12/48 108/1 |
| D202,046 S | 8/1965 | Zierhut | |
| D203,449 S * | 1/1966 | Klein | D6/696.7 |

| | | | |
|--------------|---------|----------|-----------|
| D207,713 S * | 5/1967 | Sullivan | D6/707.22 |
| D218,943 S | 10/1970 | Culliss | |
| D225,190 S | 11/1972 | Van Syoc | |
| D260,529 S | 9/1981 | Pearse | |
| D275,340 S | 9/1984 | Dunbar | |
| D282,096 S | 1/1986 | Levand | |

(Continued)

FOREIGN PATENT DOCUMENTS

GB 6100494 * 9/2020

OTHER PUBLICATIONS

Elbrook Table Collection by Steelcase, first available: Unknown. Steelcase.com [online], [site visited Feb. 7, 2022], Internet URL: https://www.steelcase.com/products/education-desks-tables/elbrook-table-collection/?drawer_main=images&drawer_sub=on-white (Year: 2021).*

(Continued)

Primary Examiner — Steven J Czyz
Assistant Examiner — Hillary Catherine Shepard

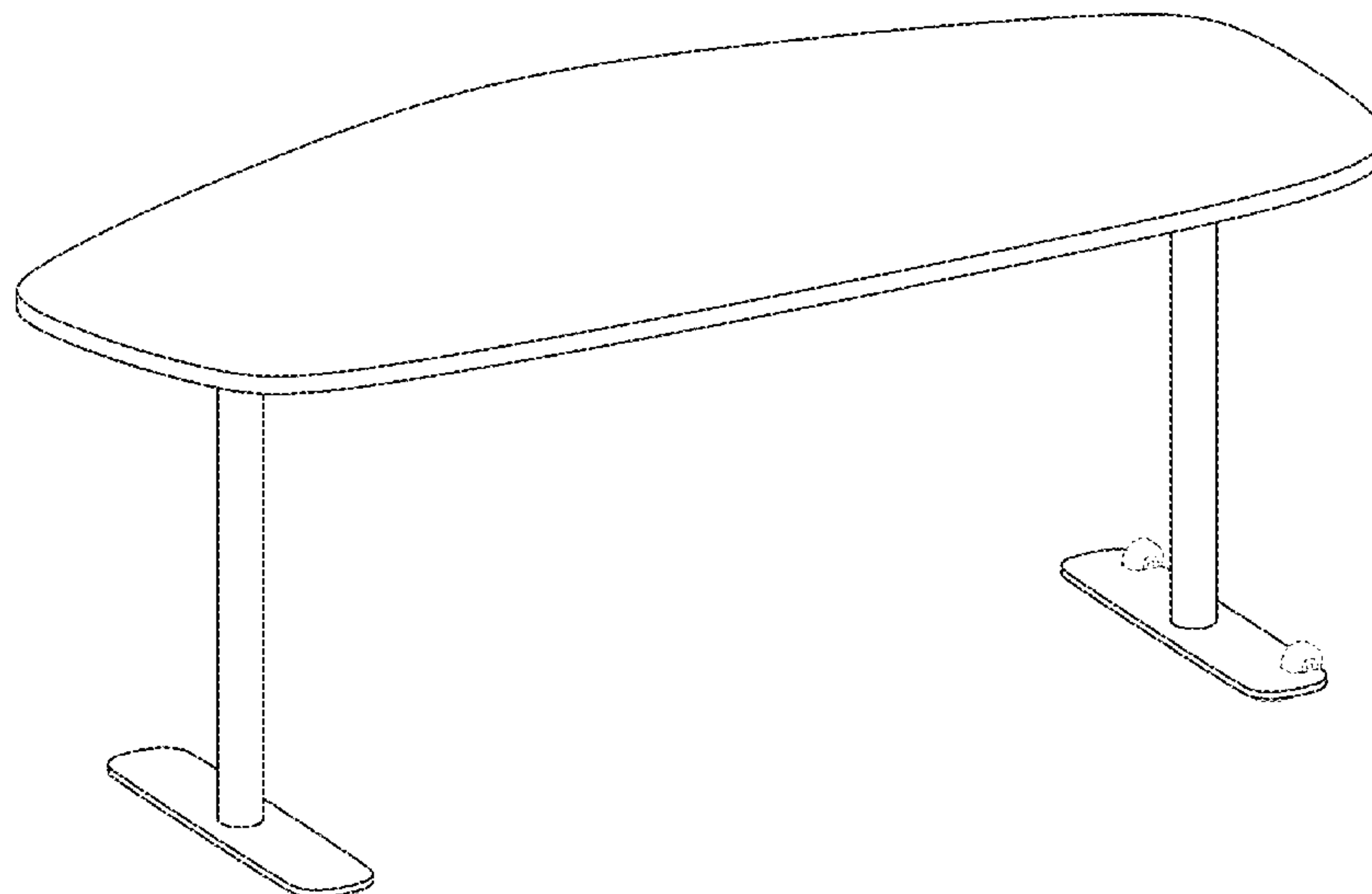
(57) **CLAIM**

We claim the ornamental design for a table, as shown and described.

DESCRIPTION

FIG. 1 is a top perspective view of a table, showing our new design;
FIG. 2 is a bottom perspective view of the table thereof;
FIG. 3 is a front view of the table thereof;
FIG. 4 is a rear view of the table thereof;
FIG. 5 is a right side view of the table thereof;
FIG. 6 is a left side view of the table thereof;
FIG. 7 is a top view of the table thereof; and,
FIG. 8 is a bottom view of the table thereof.
The broken lines depict portions of the article that form no part of the claimed design.

1 Claim, 8 Drawing Sheets



(56)

References Cited

U.S. PATENT DOCUMENTS

D282,775 S 2/1986 Floyd, Sr.
 D332,535 S * 1/1993 Hosoe D6/696.3
 D332,537 S * 1/1993 Hosoe D6/696.3
 D332,538 S * 1/1993 Hosoe D6/696.3
 D334,982 S 4/1993 Riach
 D336,185 S 6/1993 Deinen et al.
 D339,487 S 9/1993 Rizzi
 D341,507 S 11/1993 Harvey et al.
 D352,194 S 11/1994 Hosoe
 D352,408 S * 11/1994 Hosoe D6/696.3
 D352,409 S 11/1994 Hosoe
 D352,851 S * 11/1994 Hosoe D6/696.3
 D352,852 S * 11/1994 Hosoe D6/696.3
 D359,405 S 6/1995 Ba, I
 D366,977 S 2/1996 Pratt
 D382,422 S 8/1997 Muller
 D383,017 S 9/1997 Kelly et al.
 D383,924 S 9/1997 Dormon et al.
 D388,639 S 1/1998 Dormon et al.
 D389,347 S 1/1998 Muller
 D389,674 S 1/1998 Muller
 D390,382 S 2/1998 Schwartz
 D393,760 S 4/1998 Allon
 D394,567 S 5/1998 Hallenheim
 D401,086 S 11/1998 Hellwig et al.
 D401,087 S 11/1998 Hellwig et al.
 D413,212 S * 8/1999 Dame D6/650
 D414,634 S * 10/1999 Smith D6/707.22
 D415,376 S 10/1999 Lottes
 D420,536 S 2/2000 Swensson et al.
 D431,939 S 10/2000 Risdall
 D438,407 S * 3/2001 Maly D6/696.3
 D440,798 S * 4/2001 Kuhlman D6/707.22
 D442,795 S 5/2001 Holt
 D444,968 S 7/2001 Brown et al.
 D447,655 S 9/2001 Petri
 D450,949 S 11/2001 Grabowski et al.
 D463,683 S 10/2002 Goodworth
 D463,684 S 10/2002 Goodworth
 D463,687 S 10/2002 Goodworth
 D470,345 S 2/2003 Muller
 D475,095 S * 5/2003 Manville D21/385
 D478,427 S 8/2003 Ford et al.
 D480,767 S 10/2003 Manville
 D492,858 S 7/2004 Georgopoulos
 D505,281 S 5/2005 Martin
 D506,081 S * 6/2005 Moore D6/696.3
 D511,059 S 11/2005 Sindirig et al.
 D514,855 S 2/2006 DeBoth
 D527,929 S 9/2006 Martin
 D534,386 S 1/2007 Warriner
 D541,084 S * 4/2007 Korber D6/650
 D543,384 S 5/2007 Resterhouse et al.
 D548,471 S 8/2007 Ford et al.
 D548,496 S 8/2007 Samtani
 D565,876 S 4/2008 Potente
 D588,671 S * 3/2009 Ball D6/707.22
 D592,429 S * 5/2009 Lovegrove D6/696.3
 D608,118 S 1/2010 Pini
 D610,380 S 2/2010 Momeny
 D615,324 S 5/2010 Yamamoto
 D627,177 S 11/2010 Mead et al.
 D640,486 S 6/2011 Saelid
 D645,675 S 9/2011 Rice et al.

D646,916 S 10/2011 Barrett et al.
 D665,191 S 8/2012 Yamamoto
 D669,710 S 10/2012 Lievore et al.
 D694,044 S 11/2013 Copeland
 D703,984 S * 5/2014 Nasserri D6/707.22
 D731,821 S 6/2015 Hosoya
 D770,796 S 11/2016 Lin
 D776,473 S 1/2017 Fletcher
 D778,088 S * 2/2017 Hiyoshi D6/707.15
 D810,451 S 2/2018 Liu
 D815,475 S 4/2018 Grossinger et al.
 D819,375 S * 6/2018 Zaccai D6/696
 D839,646 S 2/2019 Rockwell et al.
 D841,380 S 2/2019 Zaccai
 D843,759 S 3/2019 Siebert
 D852,561 S 7/2019 Handler et al.
 D859,895 S 9/2019 Haase et al.
 D876,863 S 3/2020 Lipparini
 D912,450 S * 3/2021 Pomputius D6/696.7
 2012/0020112 A1 * 1/2012 Fisher G02B 6/0096
 362/127

OTHER PUBLICATIONS

Elbrook Tables by Steelcase, first available: 2021. Studiomurmur.com [online], [site visited Feb. 5, 2022], Internet URL: <https://www.studiomurmur.net/steelcase-elbrook> (Year: 2022).*

Danish Vintage Organic Shaped Coffee Table by LANOBA Design Balderskilde, first available: Unknown. Aptdeco.com [online], [site visited: Feb. 5, 2022], Internet URL: <https://www.aptdeco.com/product/danish-vintage-organic-shaped-coffee-table> (Year: 2022).*

Large Vintage Lauser Organic Kidney—Shaped Coffee Table by Svante Skogh, first available: Unknown. Design-mkt.com [online], [site visited: Feb. 5, 2022], Internet URL: <https://www.design-mkt.com/164354-large-vintage-lauser-organic-kidney-shaped-coffee-table-by-svante-skogh-1960s.html> (Year: 2022).*

MOHD—Mollura Home Design, Ligne Reset Pebble Concave Table, downloaded on Jun. 26, 2020 at <https://shop.mohd.it/en-gb/pebble-tavolino-concavo-d16121.html>.

Article, Amoeba Wild Walnut 42.5" Wide Coffee Table, downloaded on Jun. 25, 2020 from https://www.article.com/pla/1289/amoeba-wild-walnut-42-5-wide-coffee-table?artcl_campaignID=900506311&artcl_network=g&artcl_adgroupid=44470072225&artcl_keywords&artcl_source=google&gclid=CjwKCAjwqpP2BRBTEiwAfpID-yOvukBSccLuHHofxymNAruv7JDS17wBvV_Crr_iYuxAq3o9PdEXZRoC9foQAvD_BwE.

Pinterest, downloaded on Aug. 19, 2020, from https://www.pinterest.com/pin/100345897916897678/?nic_v1=1aqlqsfgjlgAI2Wjs71gJFzeRaRPzWKFR%2BhTaTJdKQqPjT9u2s1Gzn%2BsH%2B36M2eP9F.

1stdibs, downloaded on Jun. 25, 2020, from https://www.pinterest.com/pin/97108935704984793/?nic_v1=1auNFKGczfEevW1Bxyb0e%2B7DrCc4wswqAlbhVA5Sk3u4mxslMs2xnkYxdf90D3Vbay.

CF Interiors, Trent Coffee Table, downloaded on Jun. 25, 2020, from <https://cfinteriorsonline.com/products/trent-coffee-table>.

Ultra Modern, Otto Dining Table, downloaded on Jun. 25, 2020 from https://www.pinferest.com/pin/338051515780748851/?nic_v1=1aEerS43iEtoMbSO4FFN%2BtZwScgeZOazzuckuqaM5b7E7IjoulZYIRsrCJfS5bV%2F9.

Knoll by Jens Risom, Risom Amoeba Coffee Table downloaded on Jun. 25, 2020, from <https://www.knoll.com/product/risom-amoeba-coffee-table>.

* cited by examiner



FIG. 1

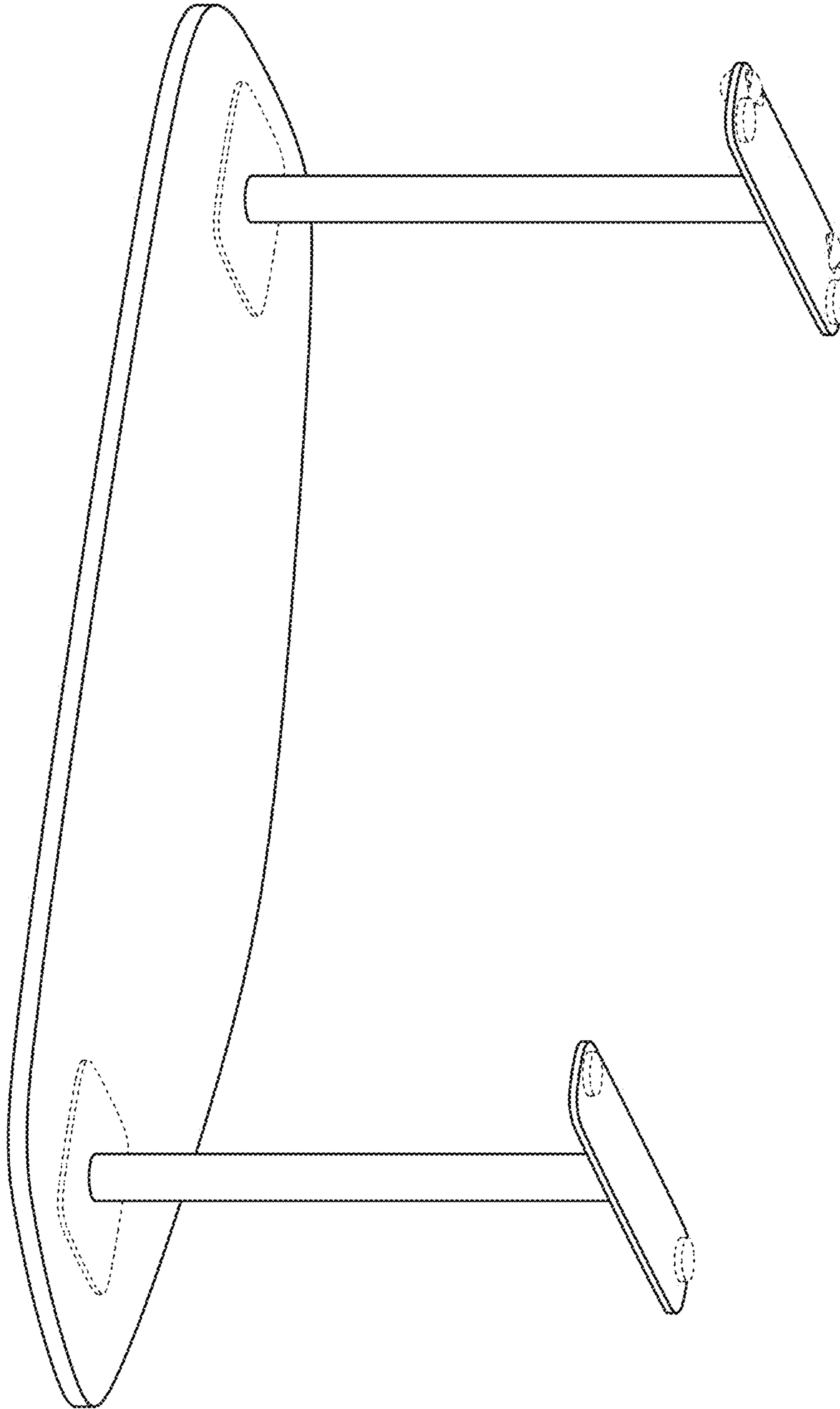


FIG. 2



FIG. 3

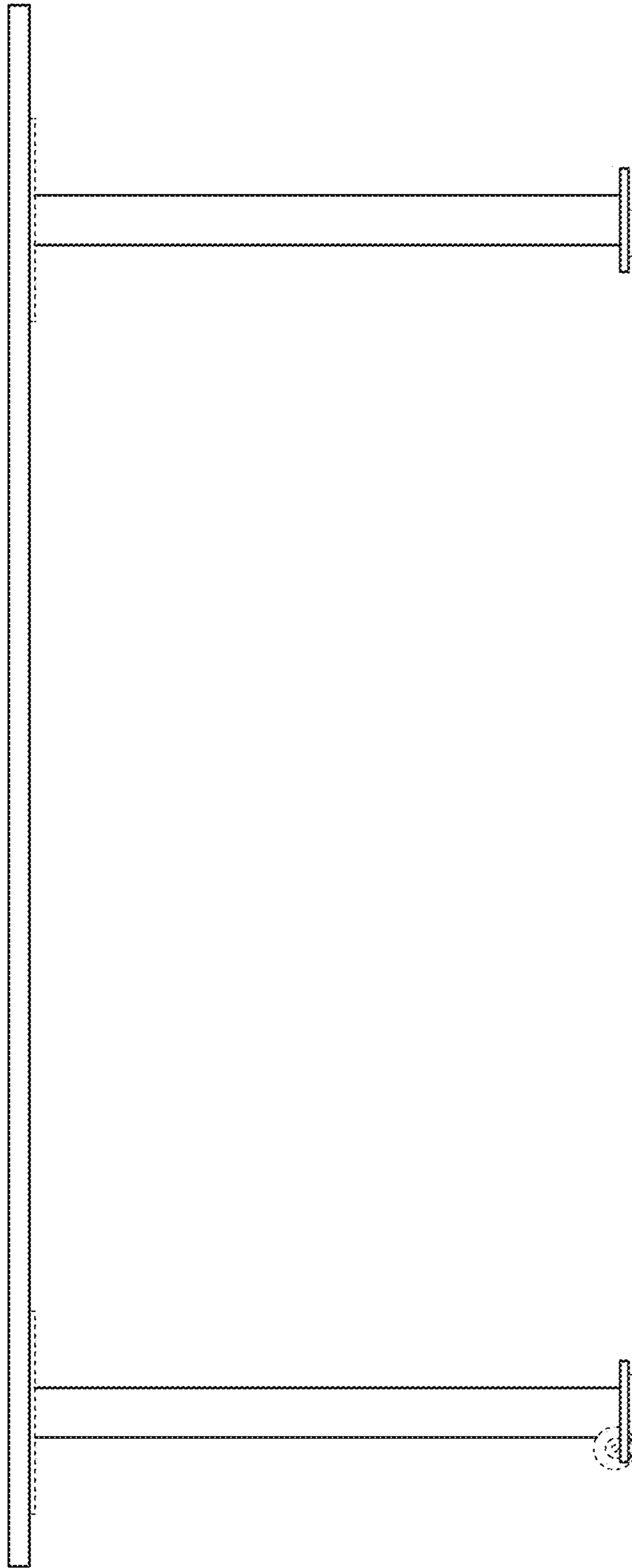


FIG. 4

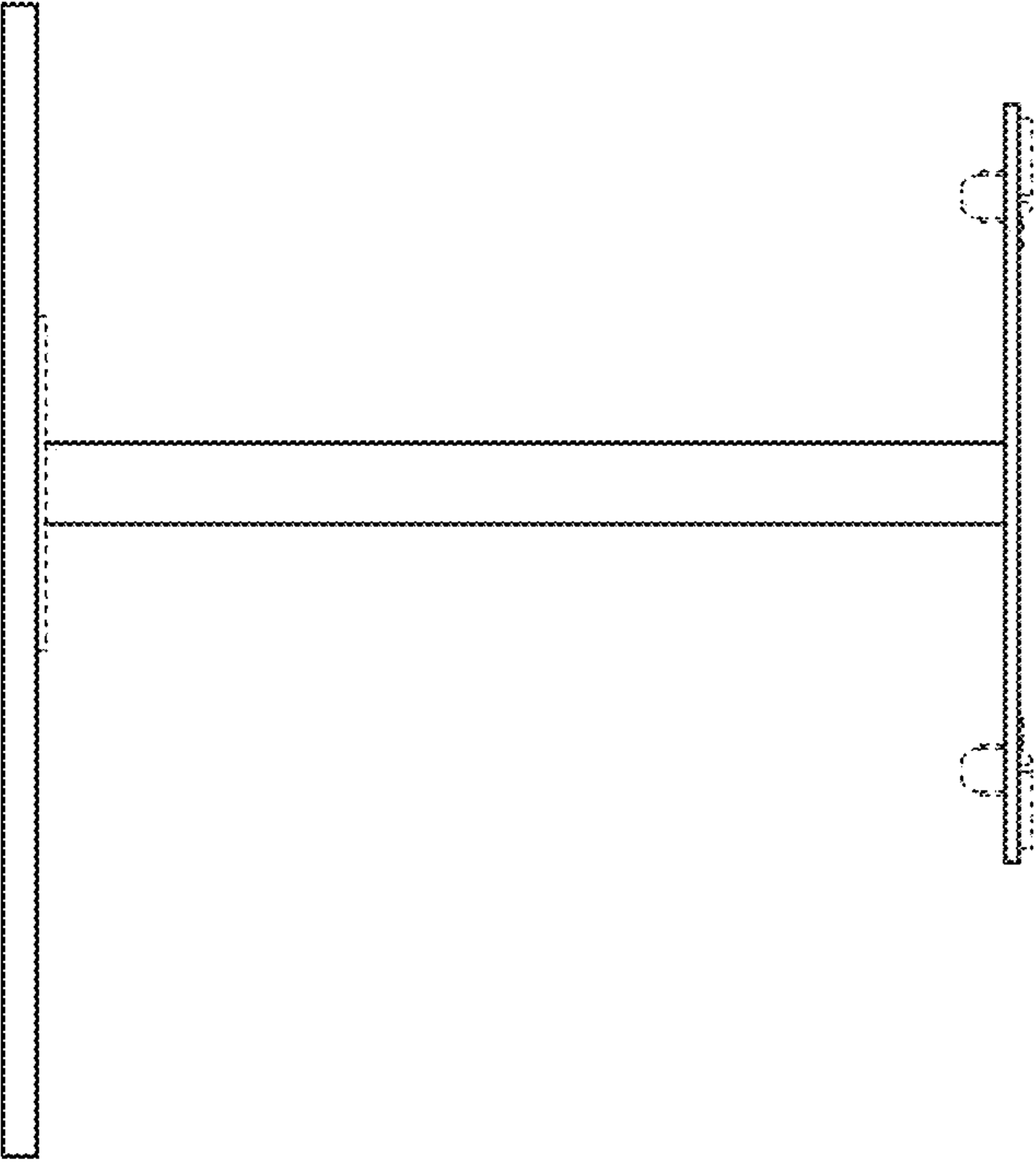


FIG. 5

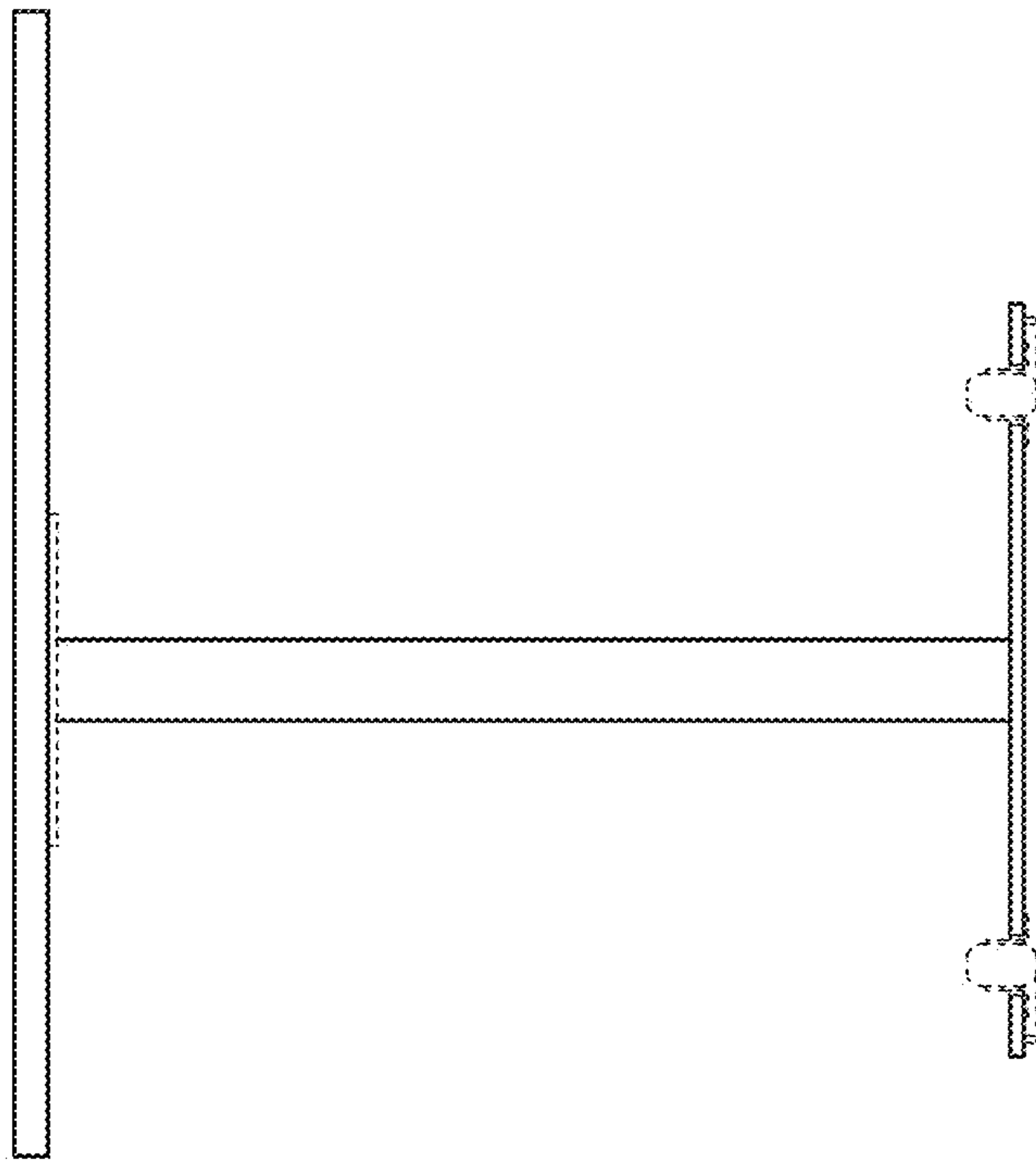


FIG. 6

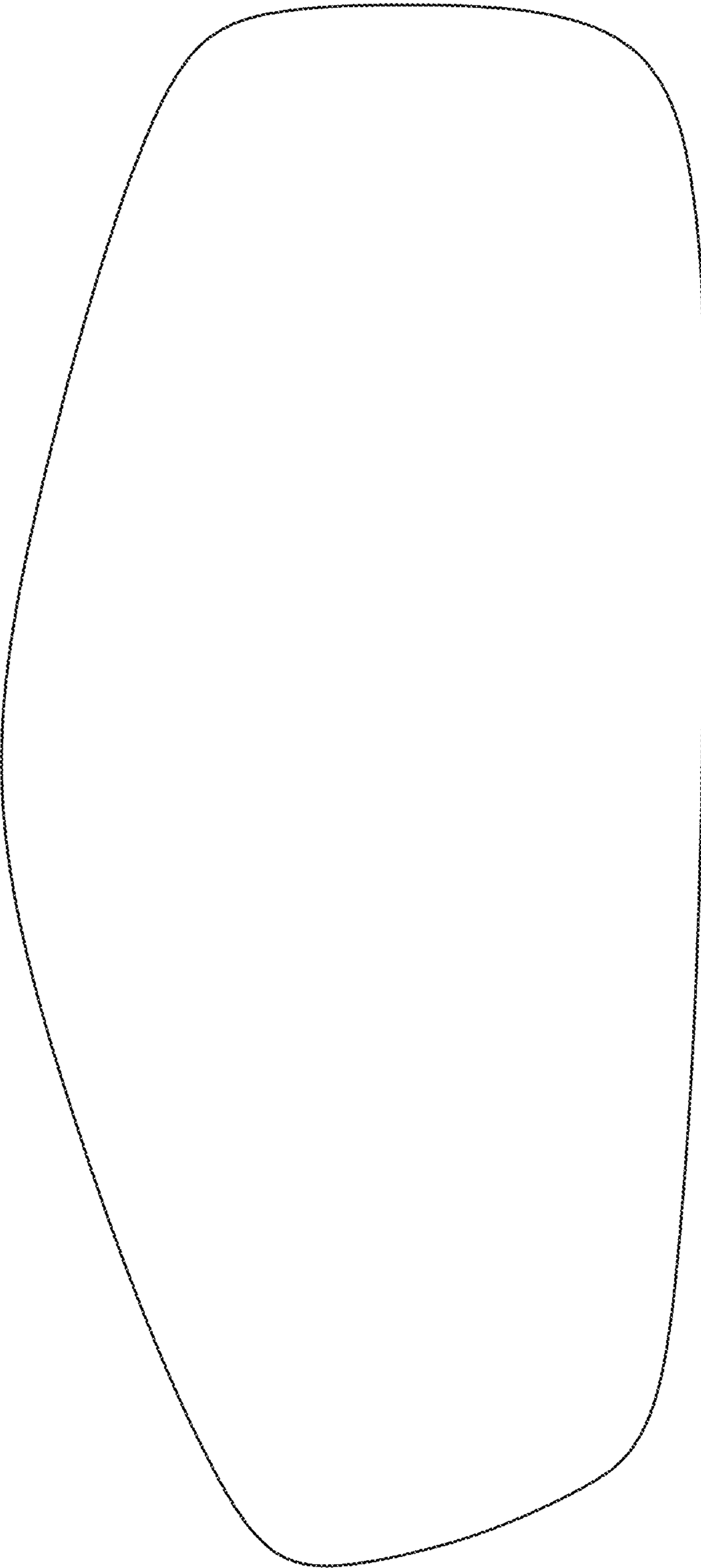


FIG. 7

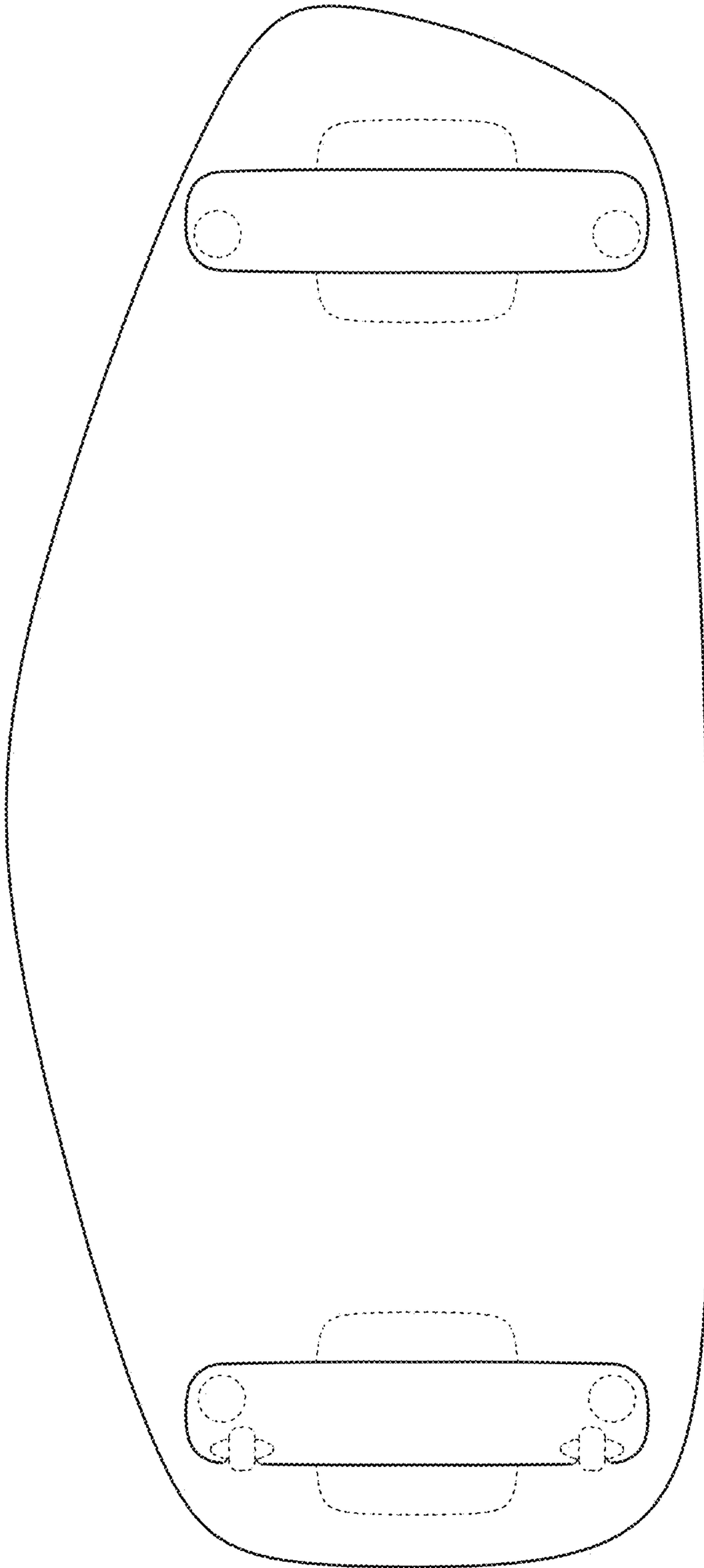


FIG. 8