



US00D949609S

(12) **United States Design Patent**
Gelman

(10) **Patent No.:** **US D949,609 S**

(45) **Date of Patent:** **** Apr. 26, 2022**

(54) **BENCH PORTION FOR A CORNER BENCH UNIT**

(71) Applicant: **E&T Horizons Limited Liability Company**, Melbourne, FL (US)

(72) Inventor: **Eric Gelman**, Melbourne, FL (US)

(73) Assignee: **E&T HORIZONS LIMITED LIABILITY**, Melbourne, FL (US)

(**) Term: **15 Years**

(21) Appl. No.: **29/778,029**

(22) Filed: **Apr. 9, 2021**

Related U.S. Application Data

(62) Division of application No. 29/655,160, filed on Jun. 29, 2018, now Pat. No. Des. 923,372.

(51) **LOC (13) Cl.** **06-06**

(52) **U.S. Cl.**
USPC **D6/678**

(58) **Field of Classification Search**
USPC D6/672, 673, 677, 676.1, 677.1, 678, D6/678.1, 702, 705, 512; D7/601, 602
CPC A47J 47/16; A47F 5/0018; A47F 5/0043; A47F 5/00; A47B 13/08; A47B 47/0091; A47B 57/30
See application file for complete search history.

(56) **References Cited**

U.S. PATENT DOCUMENTS

D96,641 S *	8/1935	Beck	D6/676
2,219,975 A *	10/1940	Bentz	A47C 9/06
				248/220.1
D183,617 S *	9/1958	Klein et al.	D6/676.1
D332,717 S *	1/1993	Wolfe, III	D6/570
D352,198 S *	11/1994	Wright	D6/574
D395,186 S *	6/1998	Pollack	D6/562
D395,488 S *	6/1998	Joss	D23/304

D599,148 S *	9/2009	Murphy	D6/562
D713,181 S *	9/2014	Cohen	D6/676.1
D727,043 S *	4/2015	Cohen	D6/349
D773,854 S *	12/2016	Preston	D6/562
D814,219 S *	4/2018	Clayton	D6/705.1
D851,421 S *	6/2019	Asselmann	D6/525
D885,093 S *	5/2020	Gelman	D6/676.1
D907,414 S *	1/2021	Li	D6/676.1
D918,607 S *	5/2021	Kwok	D6/349
D922,110 S *	6/2021	Chen	D6/676.1
D923,372 S *	6/2021	Gelman	D6/676.1
D926,486 S *	8/2021	Cohen	D6/349

* cited by examiner

Primary Examiner — Kelley A Donnelly

(74) *Attorney, Agent, or Firm* — Mark Malek; Widerman Malek, PL

(57) **CLAIM**

The ornamental design for a bench portion of a corner bench unit, as shown and described.

DESCRIPTION

FIG. 1 is a perspective view of a bench portion of a corner bench unit according to the present invention.

FIG. 2 is a front elevation view of the bench portion illustrated in FIG. 1.

FIG. 3 is a rear elevation view of the bench portion illustrated in FIG. 1.

FIG. 4 is a side elevation view of the bench portion illustrated in FIG. 1.

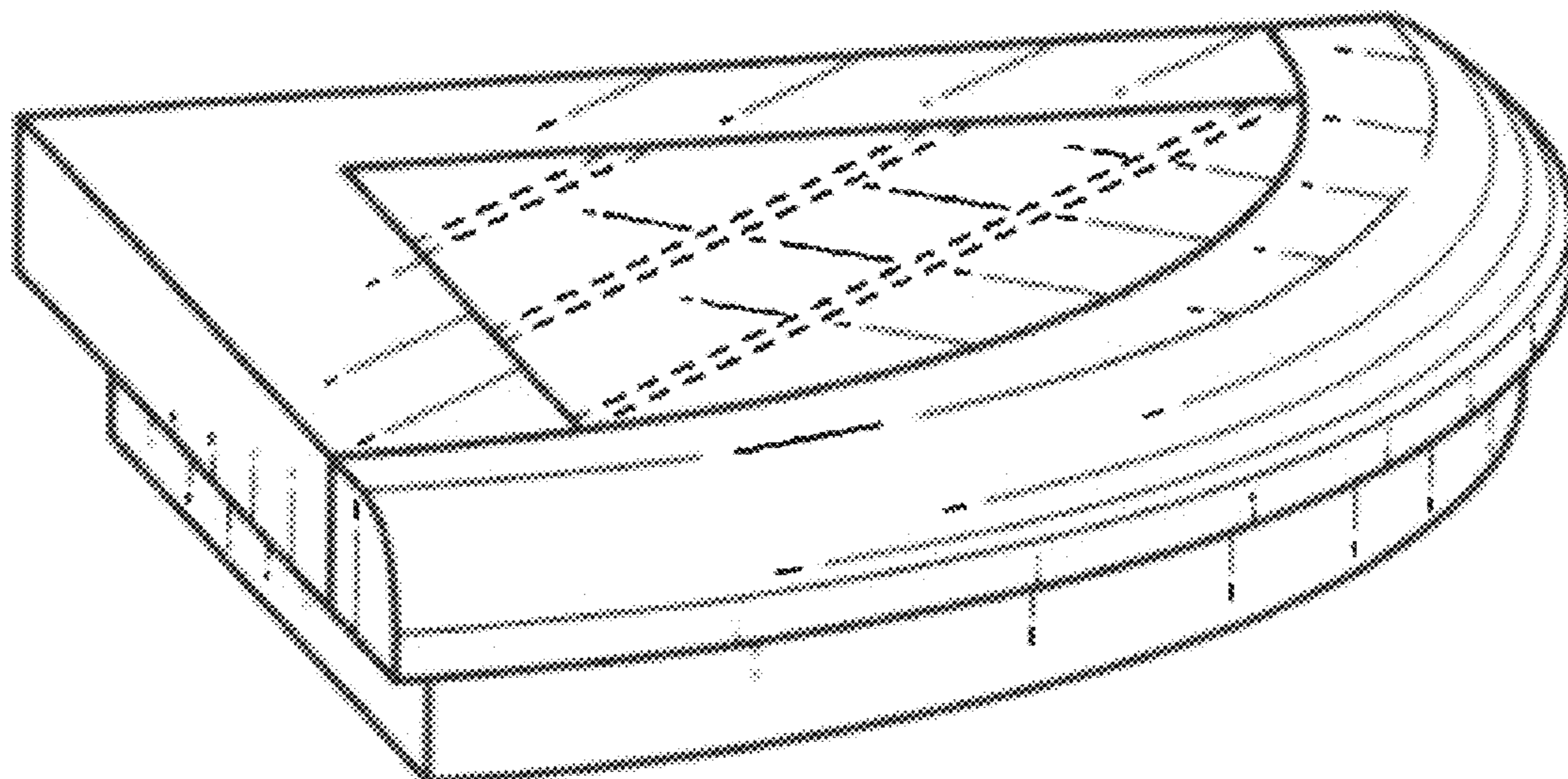
FIG. 5 is another side elevation view of the bench portion illustrated in FIG. 1.

FIG. 6 is a top plan view of the bench portion illustrated in FIG. 1; and,

FIG. 7 is a bottom plan view of the bench portion illustrated in FIG. 1.

The broken lines in FIGS. 1-7 depict slats on the bench portion of the corner bench unit and do not form a part of the claimed invention.

1 Claim, 2 Drawing Sheets



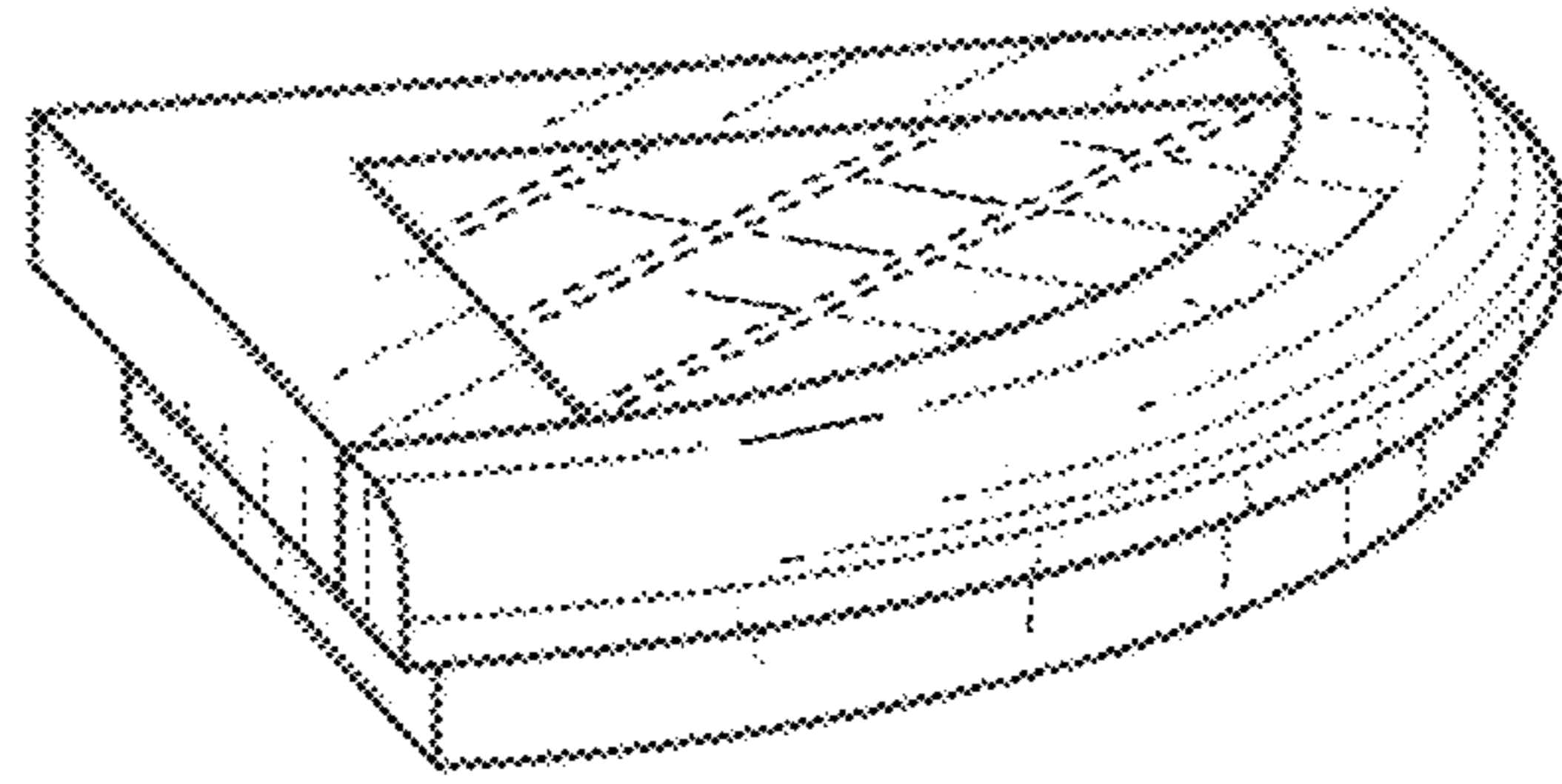


FIG. 1

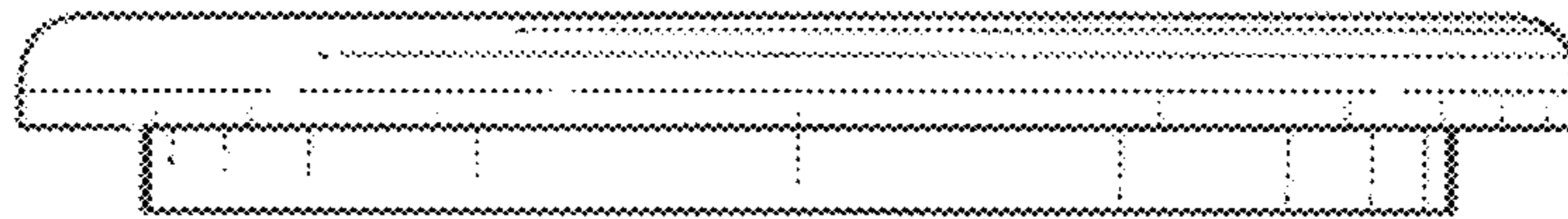


FIG. 2

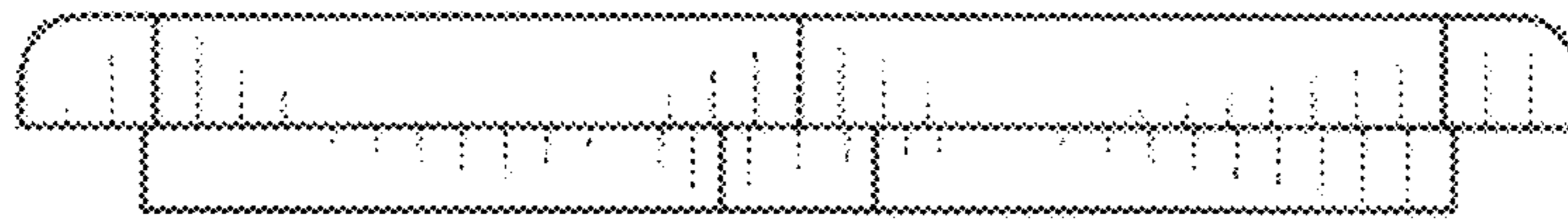


FIG. 3

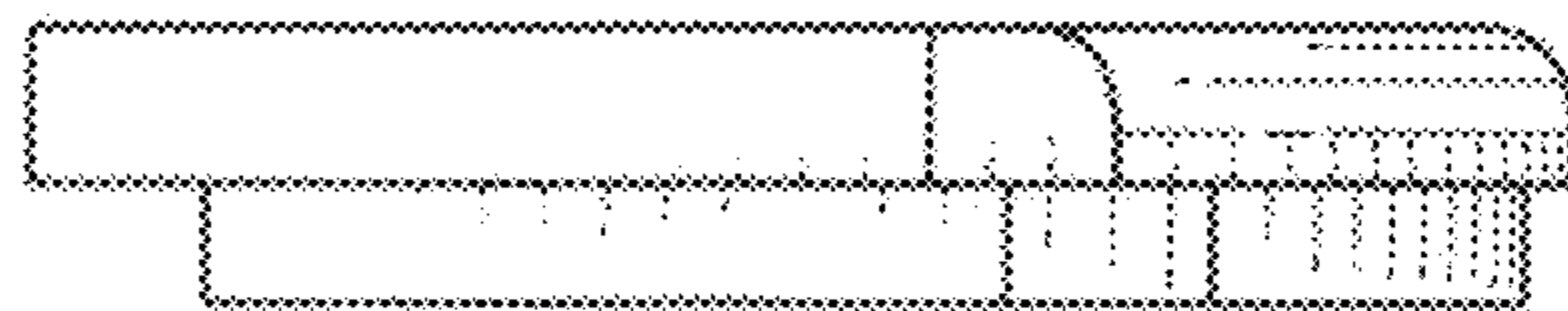


FIG. 4

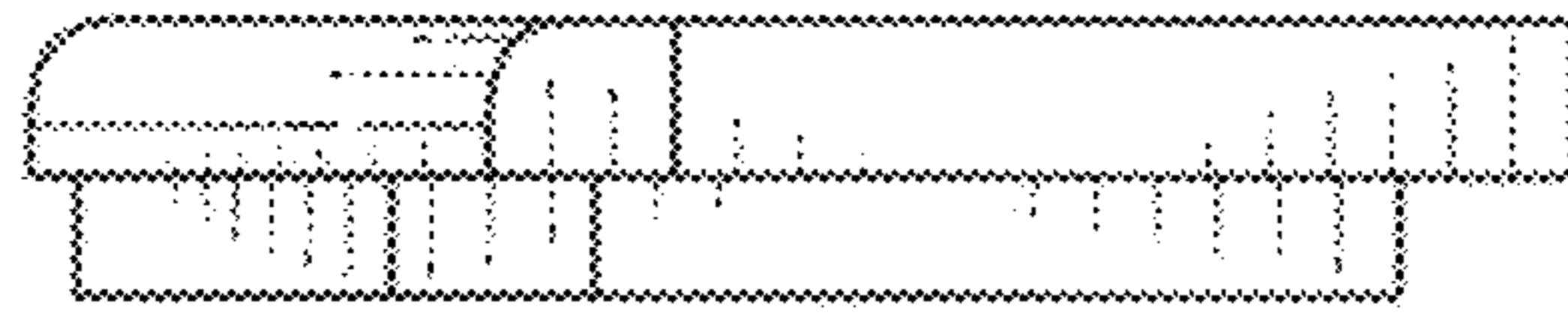


FIG. 5

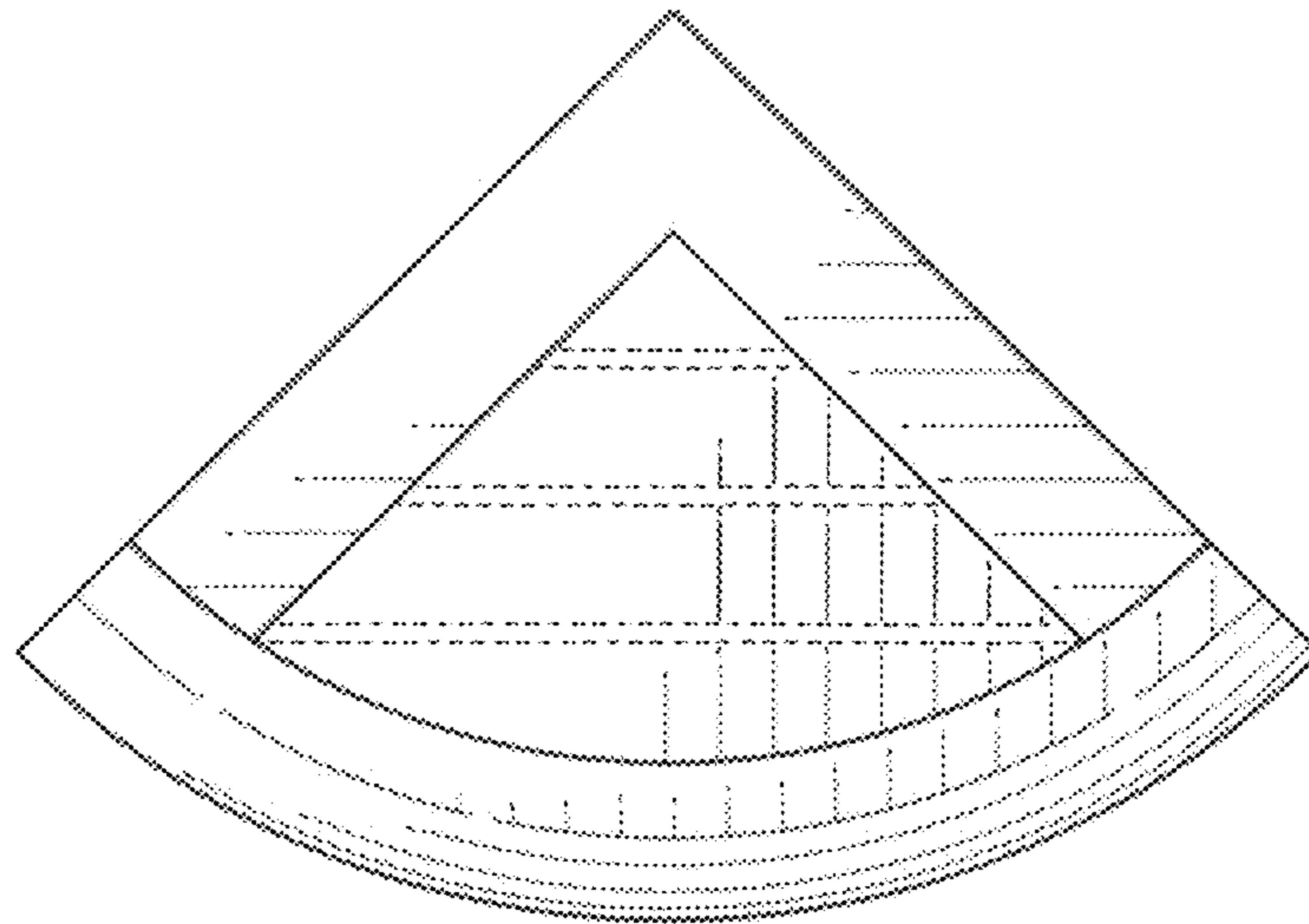


FIG. 6

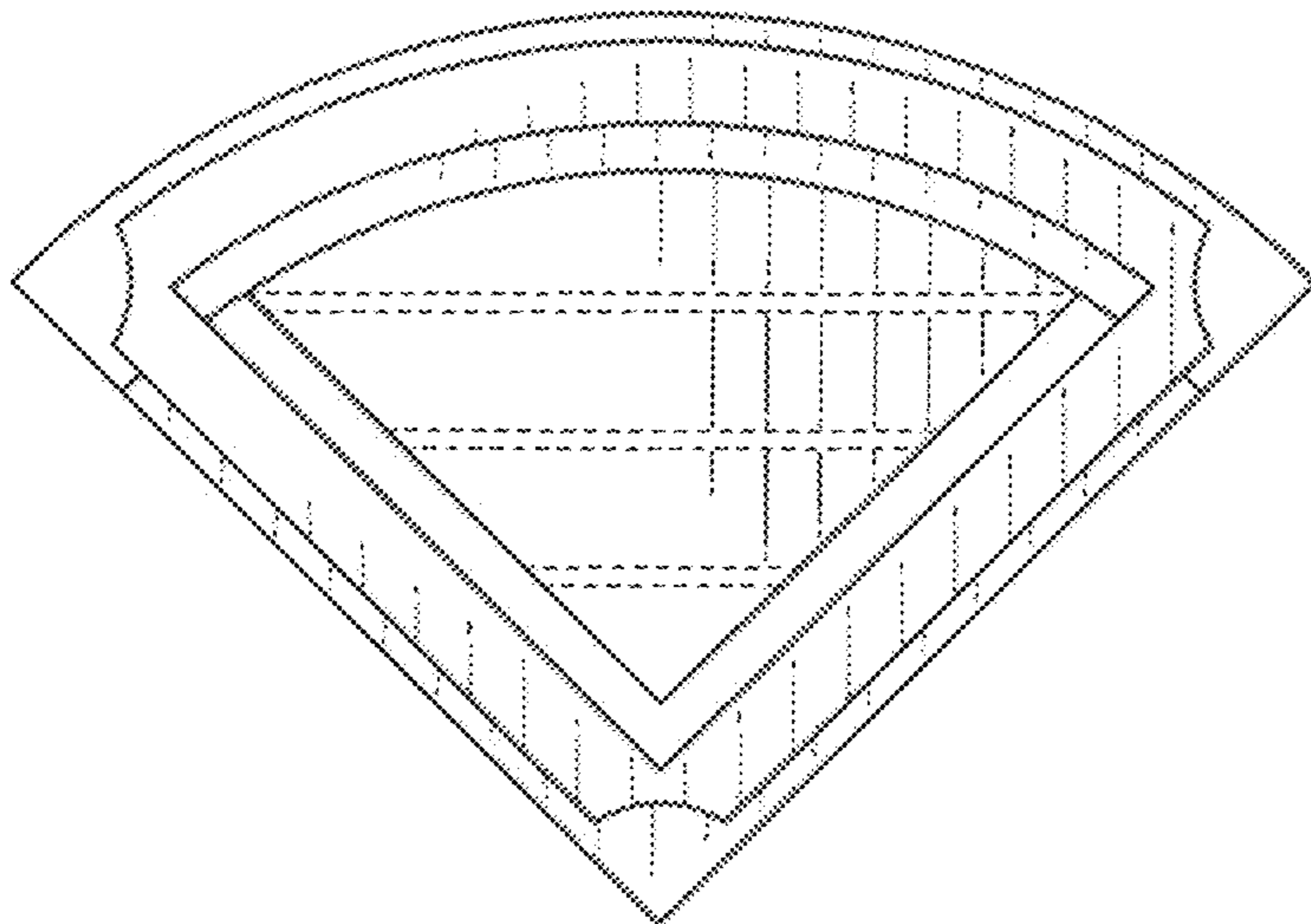


FIG. 7