



US00D949608S

(12) **United States Design Patent** (10) **Patent No.:** **US D949,608 S**  
**Gelman** (45) **Date of Patent:** **\*\* Apr. 26, 2022**

(54) **SHELF FOR A CORNER BENCH UNIT**  
(71) Applicant: **E&T Horizons Limited Liability Company**, Melbourne, FL (US)  
(72) Inventor: **Eric Gelman**, Melbourne, FL (US)  
(73) Assignee: **E&T HORIZONS LIMITED LIABILITY COMPANY**, Melbourne, FL (US)

D599,148 S \* 9/2009 Murphy ..... D6/562  
D713,181 S \* 9/2014 Cohen ..... D6/676.1  
D727,043 S \* 4/2015 Cohen ..... D6/349  
D773,854 S \* 12/2016 Preston ..... D6/562  
D814,219 S \* 4/2018 Clayton ..... D6/705.1  
D851,421 S \* 6/2019 Asselmann ..... D6/525  
D885,093 S \* 5/2020 Gelman ..... D6/676.1  
D907,414 S \* 1/2021 Li ..... D6/676.1  
D918,607 S \* 5/2021 Kwok ..... D6/349  
D922,110 S \* 6/2021 Chen ..... D6/676.1  
D923,372 S \* 6/2021 Gelman ..... D6/676.1  
D926,486 S \* 8/2021 Cohen ..... D6/349

(\*\*) Term: **15 Years**

\* cited by examiner

(21) Appl. No.: **29/778,037**

*Primary Examiner* — Kelley A Donnelly

(22) Filed: **Apr. 9, 2021**

(74) *Attorney, Agent, or Firm* — Mark Malek; Widerman Malek, PL

**Related U.S. Application Data**

(62) Division of application No. 29/655,160, filed on Jun. 29, 2018, now Pat. No. Des. 923,372.

(51) **LOC (13) Cl.** ..... **06-06**

(52) **U.S. Cl.**  
USPC ..... **D6/676**

(58) **Field of Classification Search**  
USPC ..... D6/672, 673, 677, 676.1, 677.1, 702, D6/705, 512; D7/601, 602  
CPC ..... A47J 47/16; A47F 5/0018; A47F 5/0043; A47F 5/00; A47B 13/08; A47B 47/0091; A47B 57/30  
See application file for complete search history.

(56) **References Cited**

**U.S. PATENT DOCUMENTS**

D96,641 S \* 8/1935 Beck ..... D6/676  
2,219,975 A \* 10/1940 Bentz ..... A47C 9/06  
248/220.1  
D183,617 S \* 9/1958 Klein et al. .... D6/676.1  
D332,717 S \* 1/1993 Wolfe, III ..... D6/570  
D352,198 S \* 11/1994 Wright ..... D6/574  
D395,186 S \* 6/1998 Pollack ..... D6/562  
D395,488 S \* 6/1998 Joss ..... D23/304

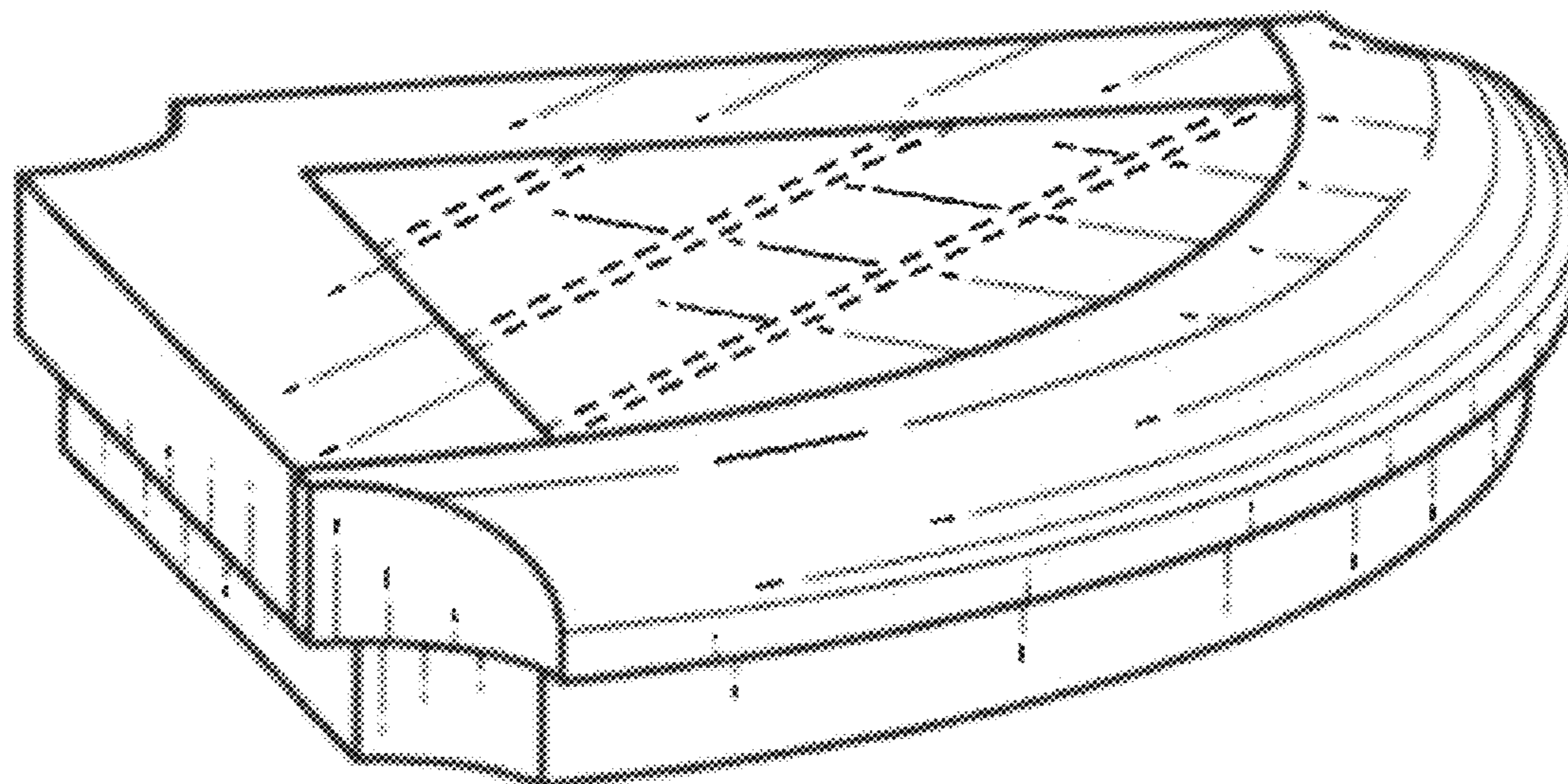
(57) **CLAIM**

The ornamental design for a shelf for a corner bench unit, as shown and described.

**DESCRIPTION**

FIG. 1 is a perspective view of a shelf for a corner bench unit according to the present invention.  
FIG. 2 is a front elevation view of the shelf illustrated in FIG. 1.  
FIG. 3 is a rear elevation view of the shelf illustrated in FIG. 1.  
FIG. 4 is a side elevation view of the shelf illustrated in FIG. 1.  
FIG. 5 is another side elevation view of the shelf illustrated in FIG. 1.  
FIG. 6 is a top plan view of the shelf illustrated in FIG. 1; and,  
FIG. 7 is a bottom plan view of the shelf illustrated in FIG. 1.  
The broken lines in FIGS. 1-7 depict slats on the shelf of the corner bench unit and do not form a part of the claimed invention.

**1 Claim, 2 Drawing Sheets**



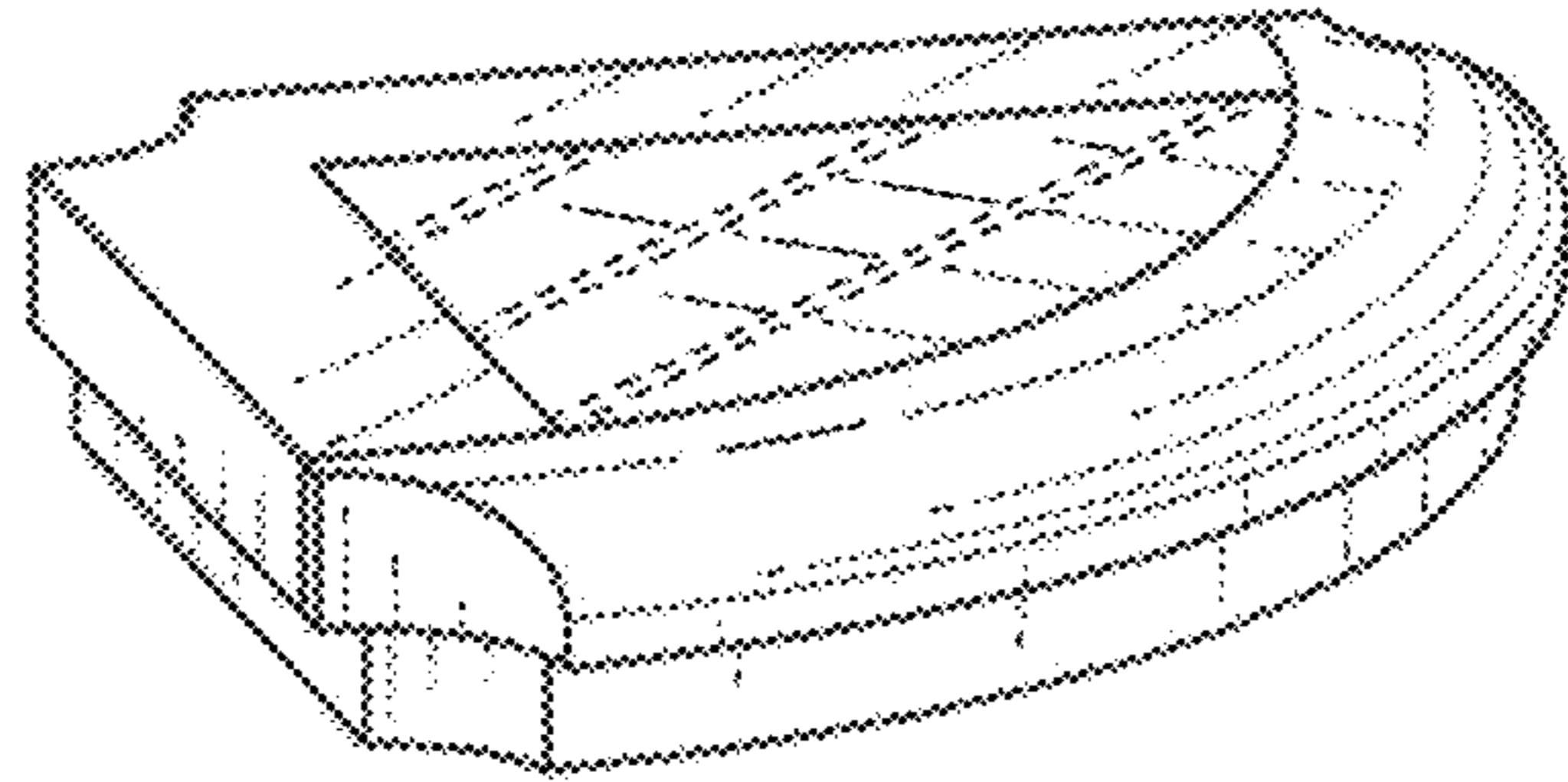


FIG. 1

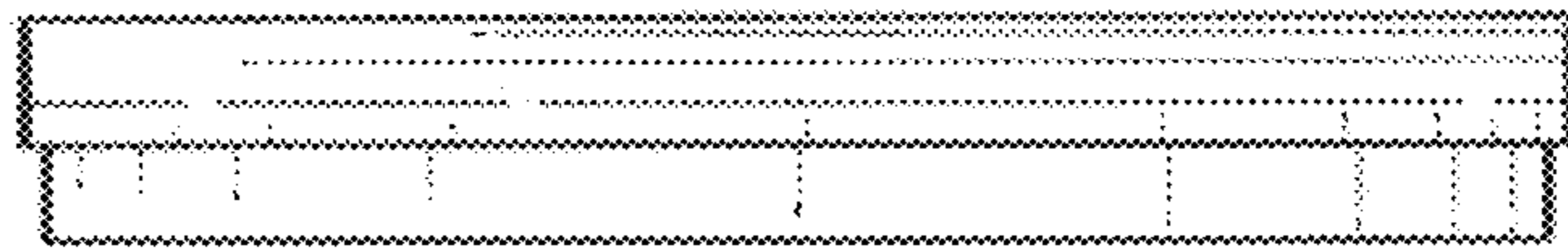


FIG. 2

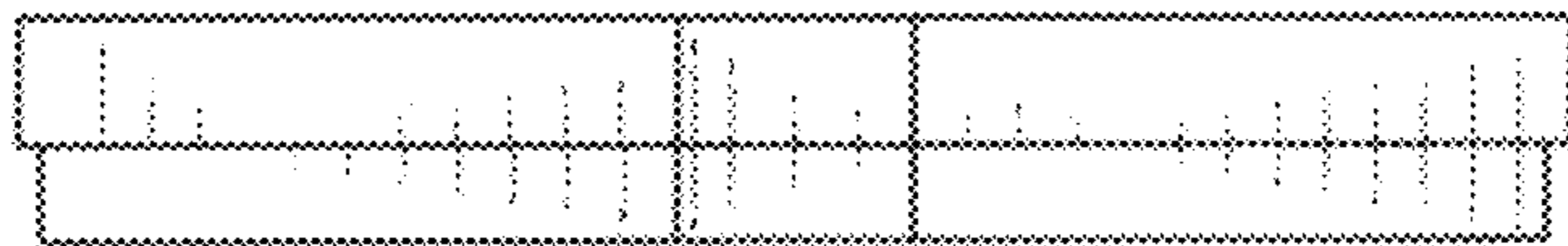


FIG. 3

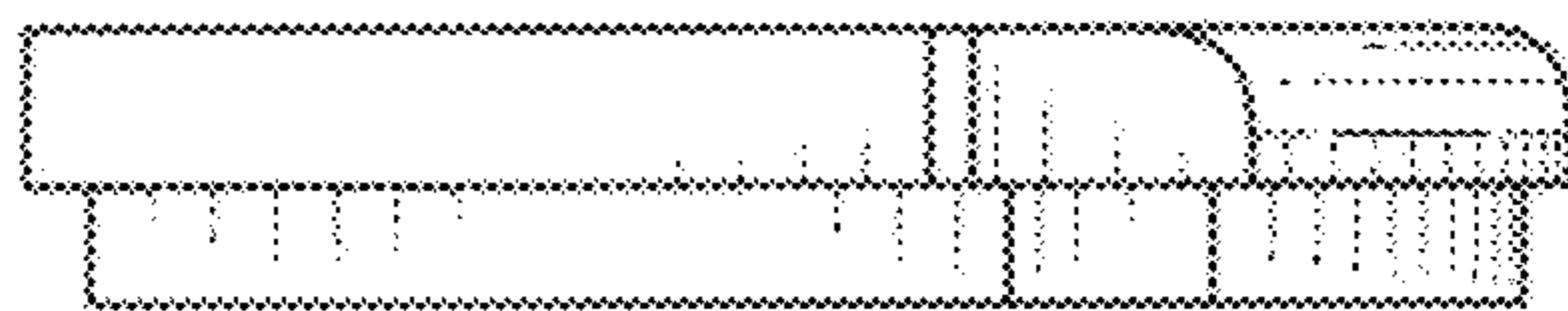


FIG. 4

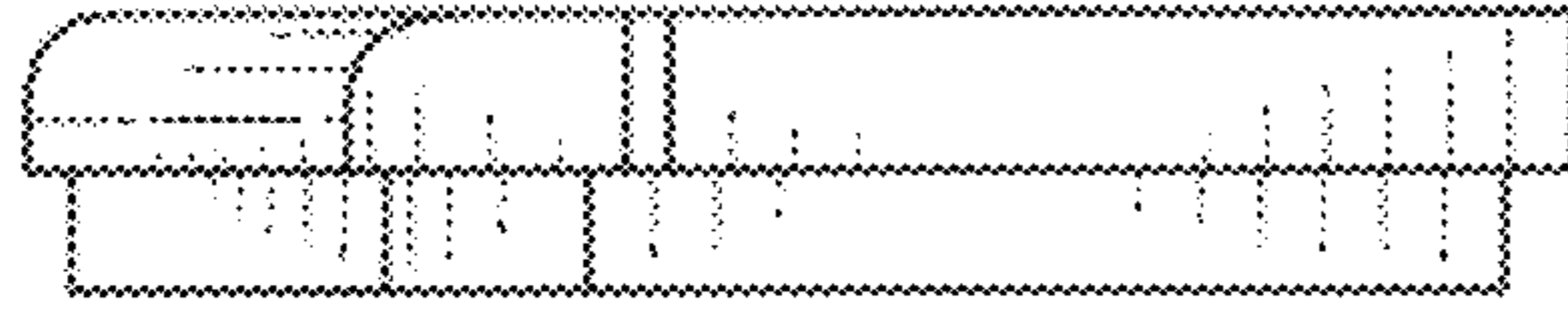


FIG. 5

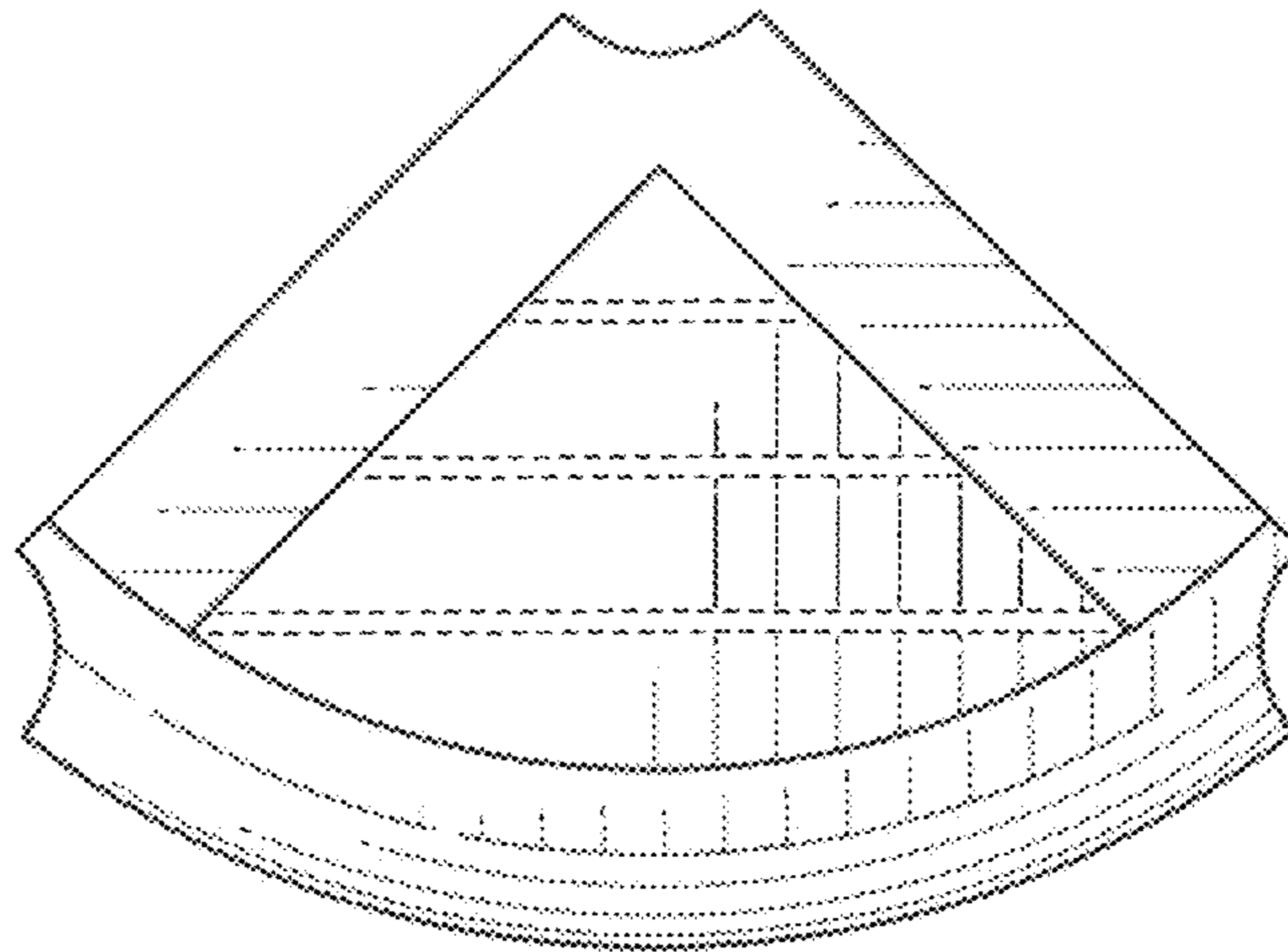


FIG. 6

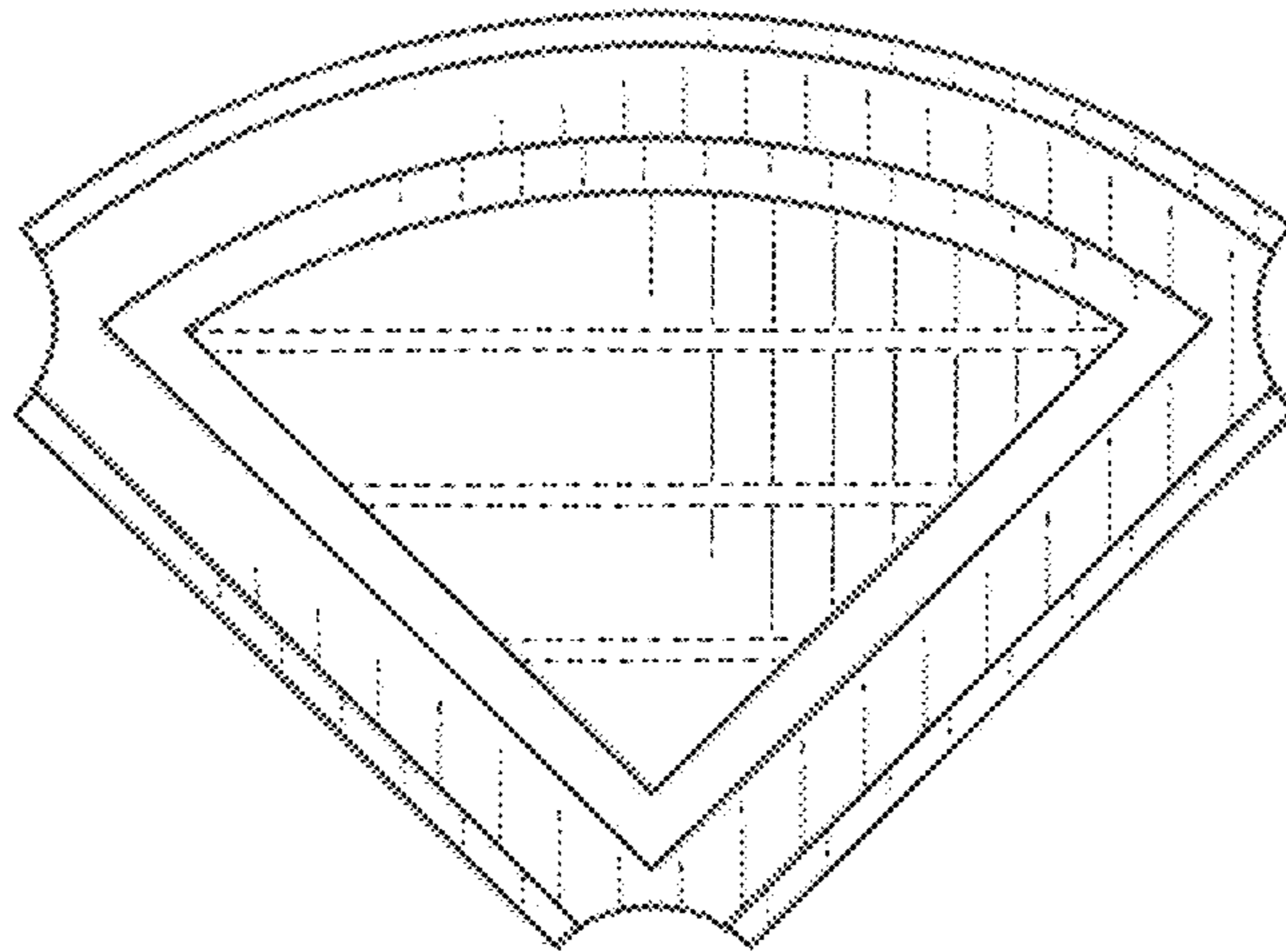


FIG. 7