



US00D949607S

(12) **United States Design Patent**  
**Liu**

(10) **Patent No.:** **US D949,607 S**  
(45) **Date of Patent:** **\*\* Apr. 26, 2022**

(54) **SHELF**  
(71) Applicant: **Jixing Industry (Shenzhen) Technology Co., Ltd., Shenzhen (CN)**  
(72) Inventor: **Tingting Liu, Shenzhen (CN)**  
(73) Assignee: **Jixing Industry (Shenzhen) Technology Co., Ltd., Shenzhen (CN)**  
(\*\*) Term: **15 Years**

D723,843 S \* 3/2015 Lai ..... D6/675.1  
D778,641 S \* 2/2017 Anderson  
D866,229 S \* 11/2019 Wu ..... D6/675.1  
D882,993 S \* 5/2020 Li  
D922,808 S \* 6/2021 Lin ..... D6/675.1  
D939,253 S \* 12/2021 Huang ..... D6/675.2  
D939,254 S \* 12/2021 Huang ..... D6/675.2  
2008/0203042 A1 \* 8/2008 Felsenthal ..... A47B 47/027  
211/153  
2008/0308516 A1 \* 12/2008 Li ..... A47B 87/0223  
211/153  
2009/0152225 A1 \* 6/2009 Lee ..... A47B 87/008  
211/187

(21) Appl. No.: **29/782,342**  
(22) Filed: **May 6, 2021**  
(51) **LOC (13) Cl.** ..... **06-06**  
(52) **U.S. Cl.**  
USPC ..... **D6/675.1**  
(58) **Field of Classification Search**  
USPC ..... D6/672, 675, 675.1, 675.2, 675.5  
CPC ..... A47F 1/00; A47F 5/0018; A47F 5/0043;  
A47F 5/0081; A47F 7/0014; A47B 96/00;  
A47B 96/02; A47B 47/00; A47B 47/021  
See application file for complete search history.

\* cited by examiner

*Primary Examiner* — Kelley A Donnelly  
(74) *Attorney, Agent, or Firm* — Zhihua Han; Wen IP LLC

(57) **CLAIM**

The ornamental design for a shelf, as shown and described.

**DESCRIPTION**

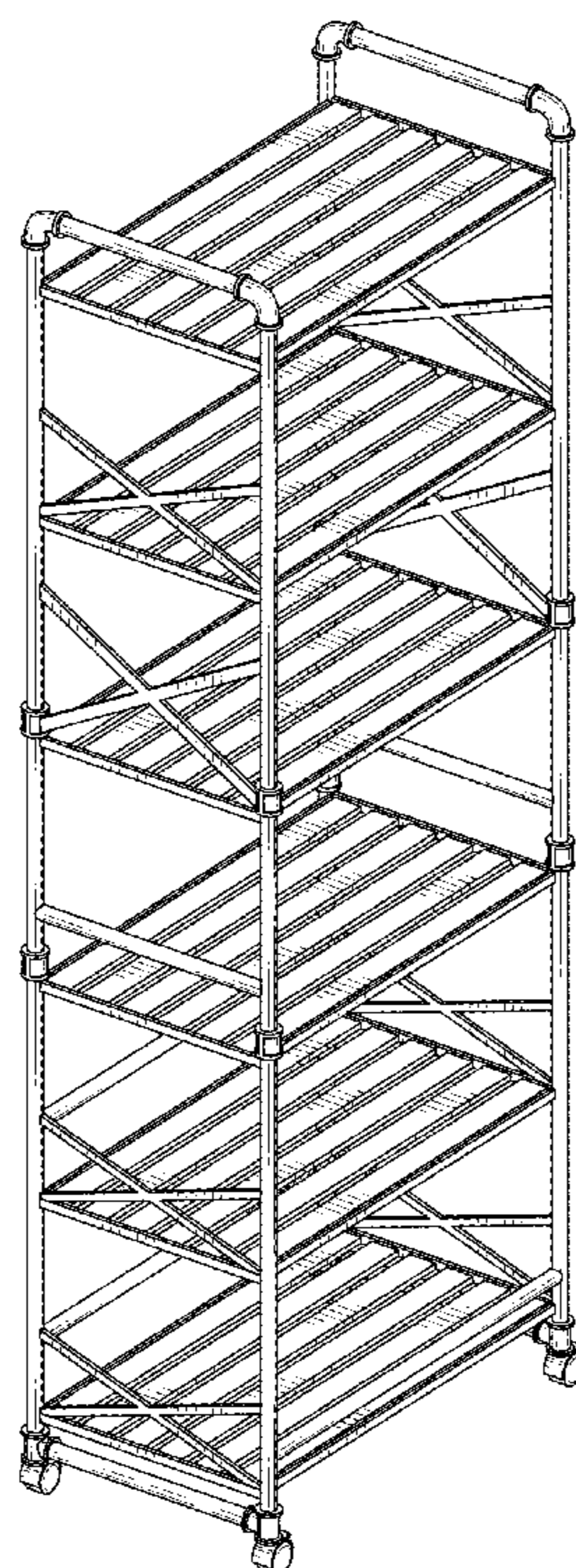
FIG. 1 is a perspective view of a shelf, showing my new design;  
FIG. 2 is a front elevation view thereof;  
FIG. 3 is a rear elevation view thereof;  
FIG. 4 is a left side elevation view thereof;  
FIG. 5 is a right side elevation view thereof;  
FIG. 6 is a top plan view thereof;  
FIG. 7 is a bottom plan view thereof;  
FIG. 8 is an exploded perspective view thereof;  
FIG. 9 is a perspective view of part of the shelf in an alternate configuration; and,  
FIG. 10 is a perspective view of part of the shelf in an alternate configuration.

(56) **References Cited**

**U.S. PATENT DOCUMENTS**

D363,841 S \* 11/1995 Nourse ..... D6/675.1  
D404,937 S \* 2/1999 Tarlow ..... D6/675.1  
D477,160 S \* 7/2003 Grosfillex ..... D6/675.1  
6,726,038 B2 \* 4/2004 Ko ..... A47B 57/06  
211/119.003  
D499,583 S \* 12/2004 Anderson ..... D6/675.1  
D648,969 S \* 11/2011 Cittadino ..... D6/675  
D714,084 S \* 9/2014 Hsu ..... D6/683

**1 Claim, 9 Drawing Sheets**



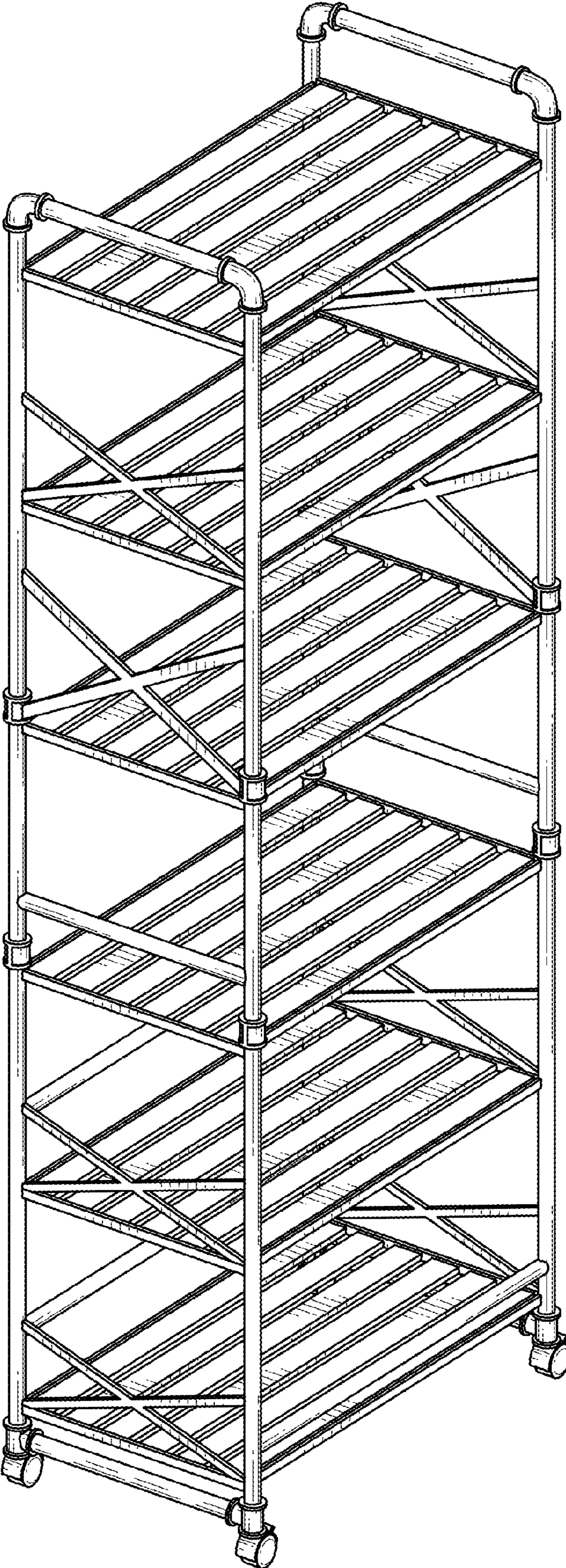


FIG. 1

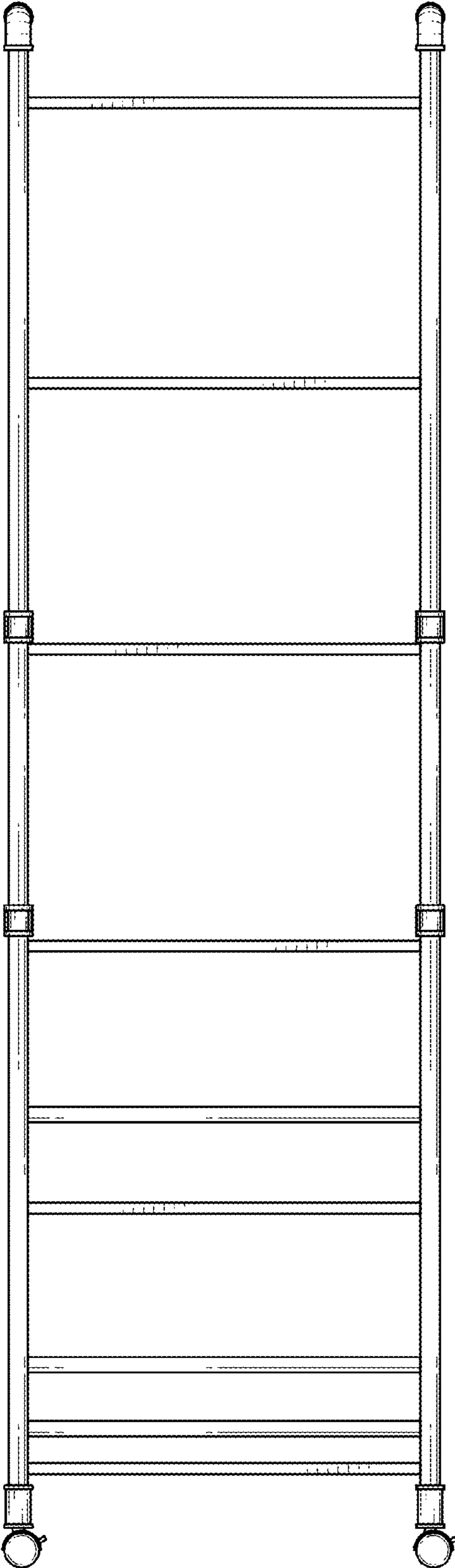


FIG. 2

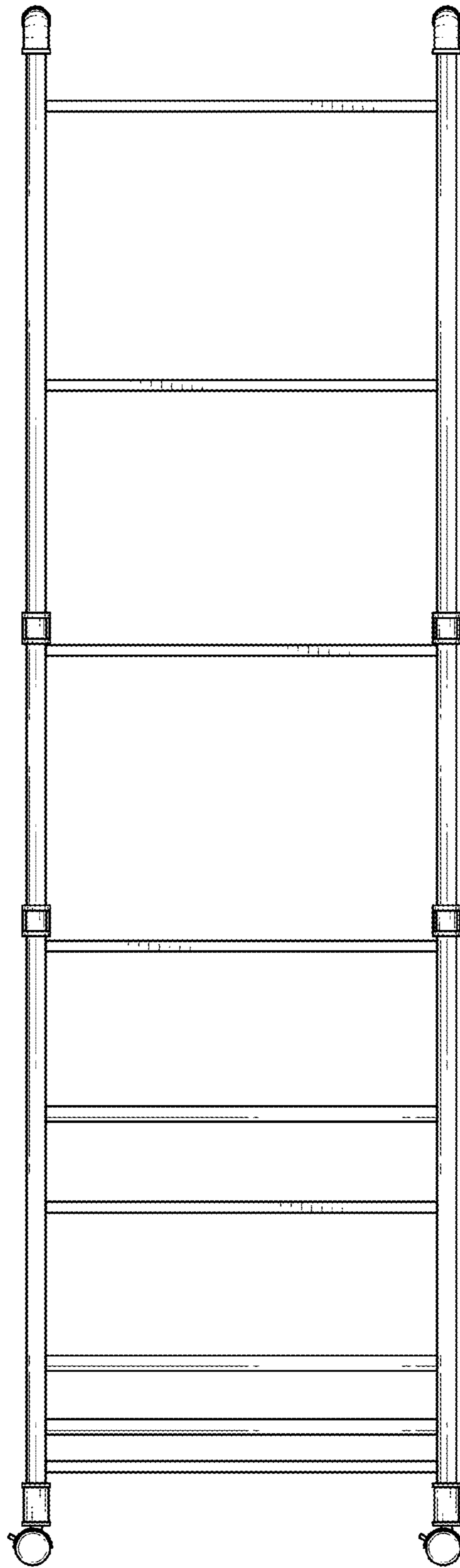


FIG. 3

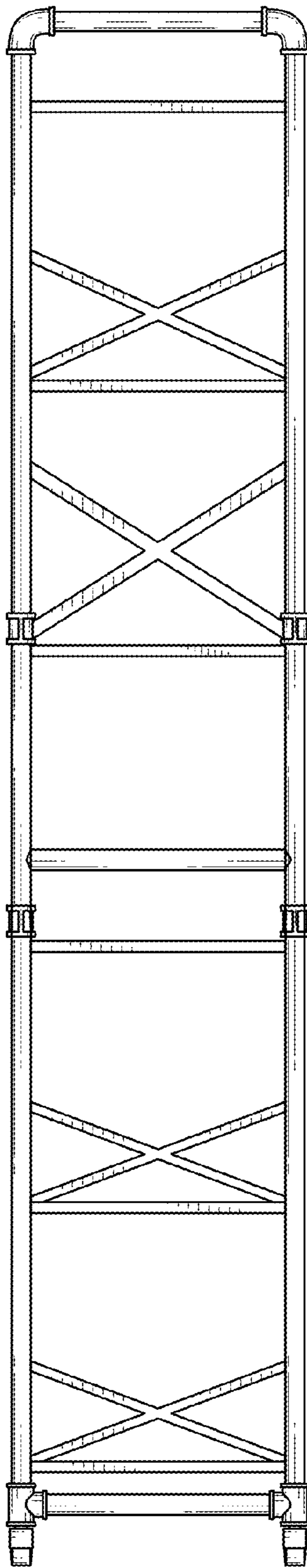


FIG. 4

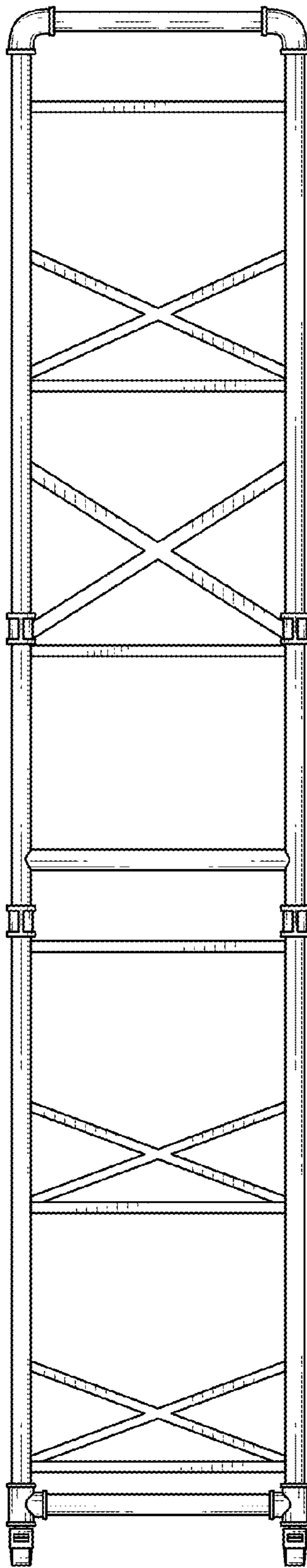


FIG. 5

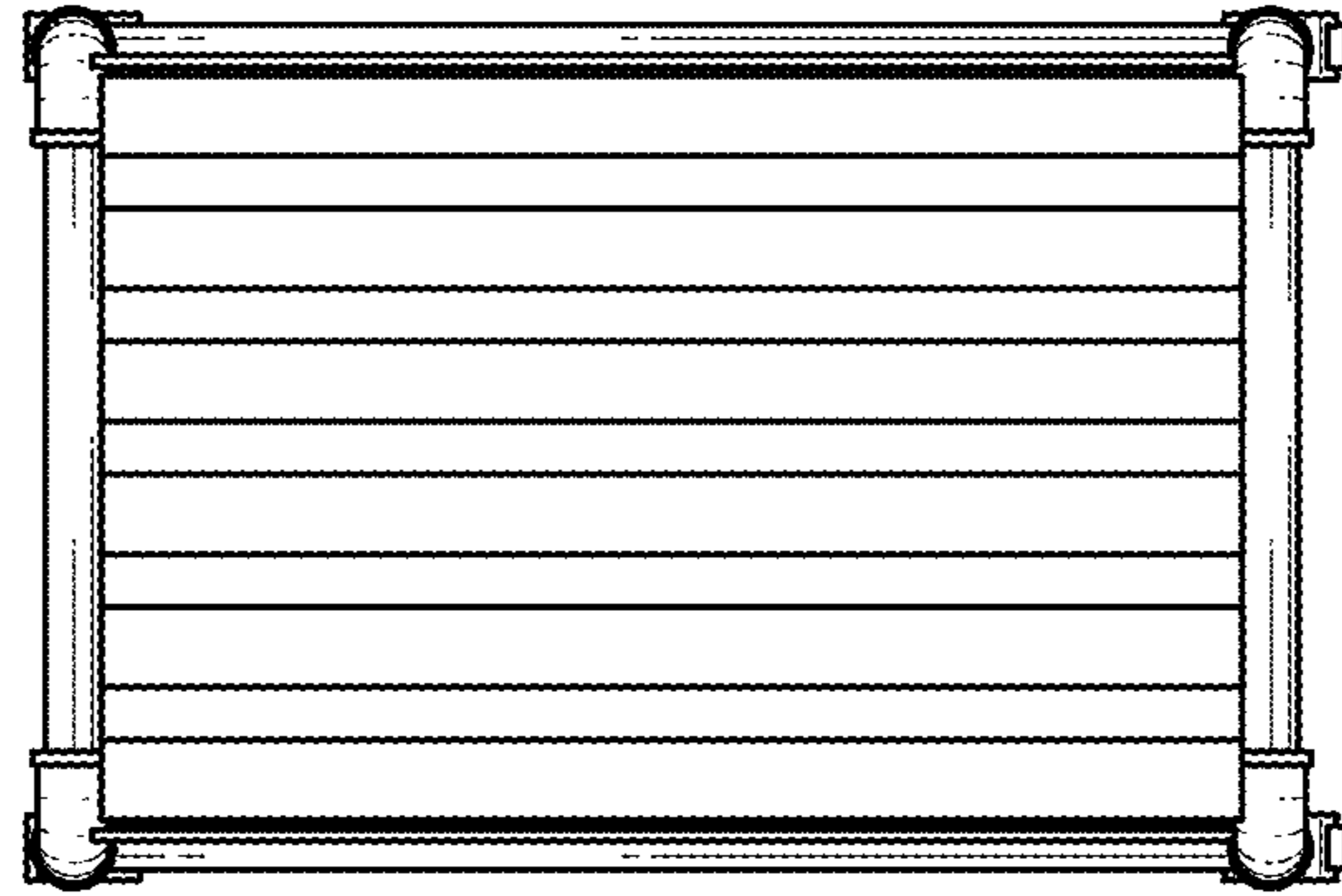


FIG. 6

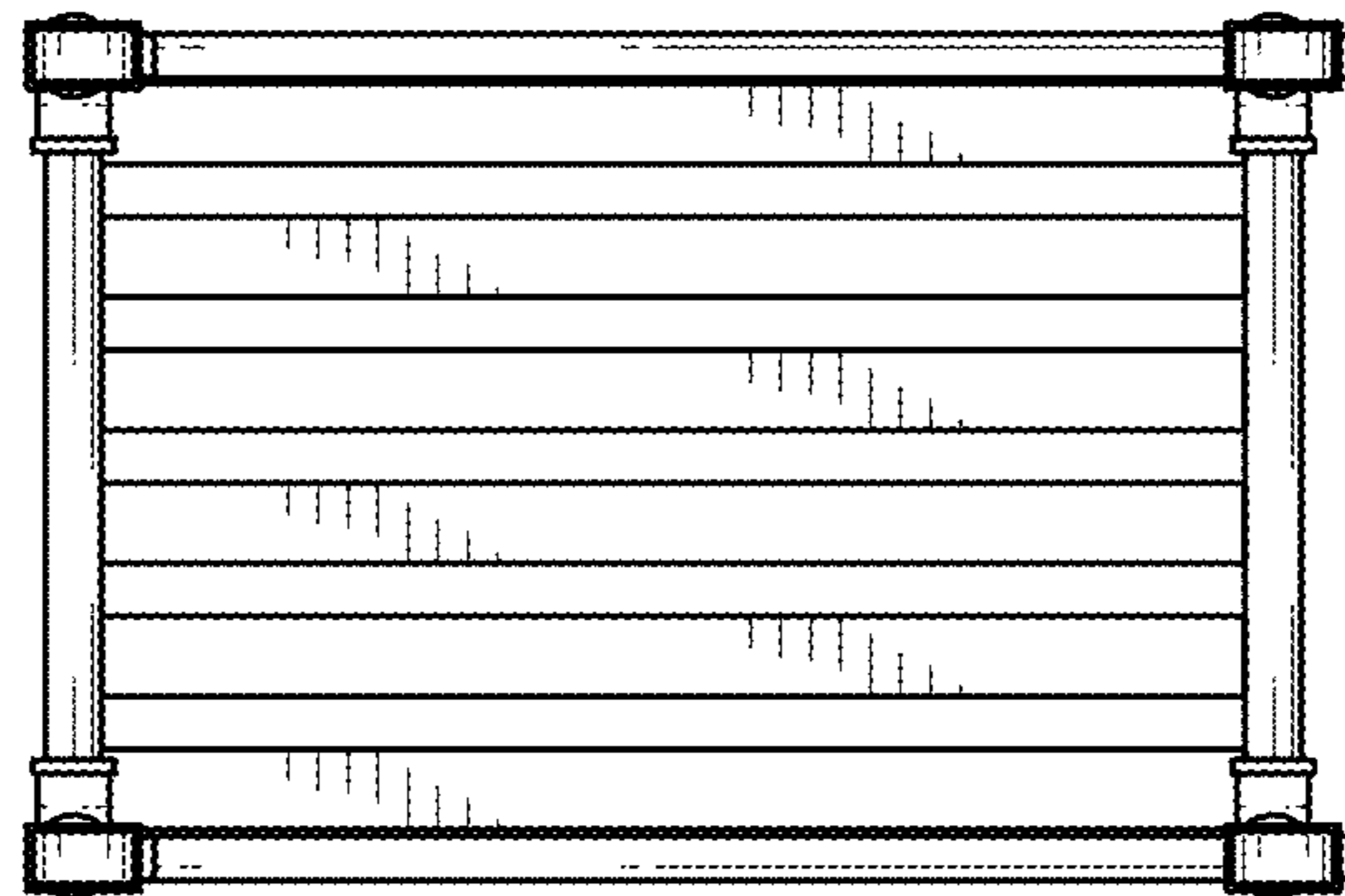


FIG. 7

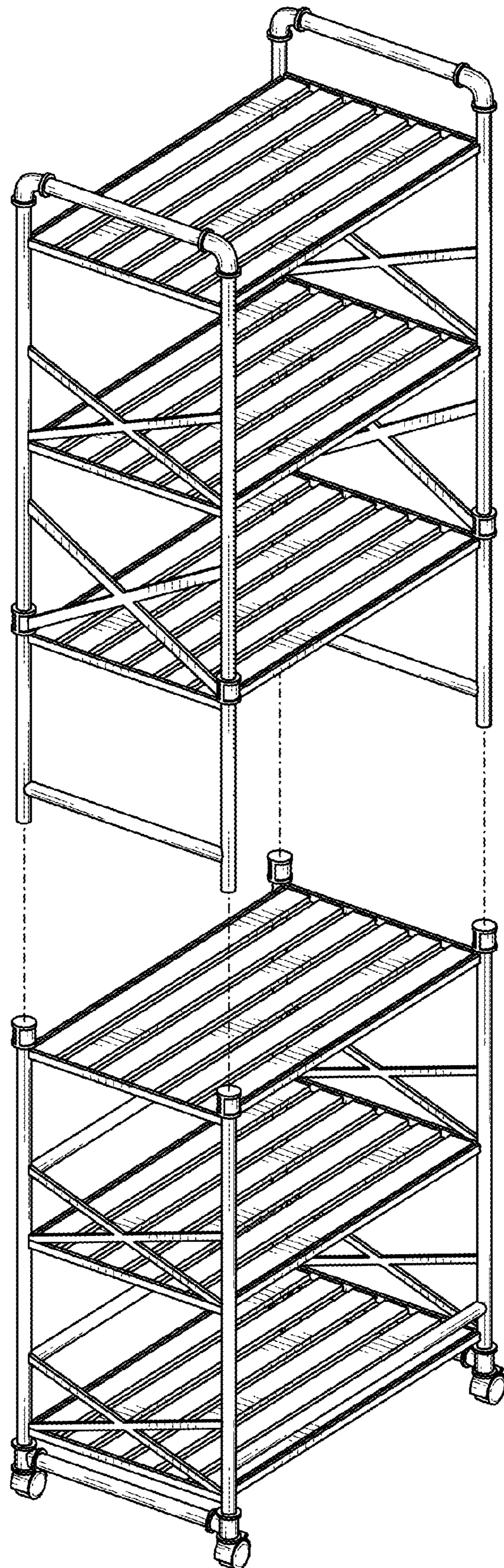


FIG. 8



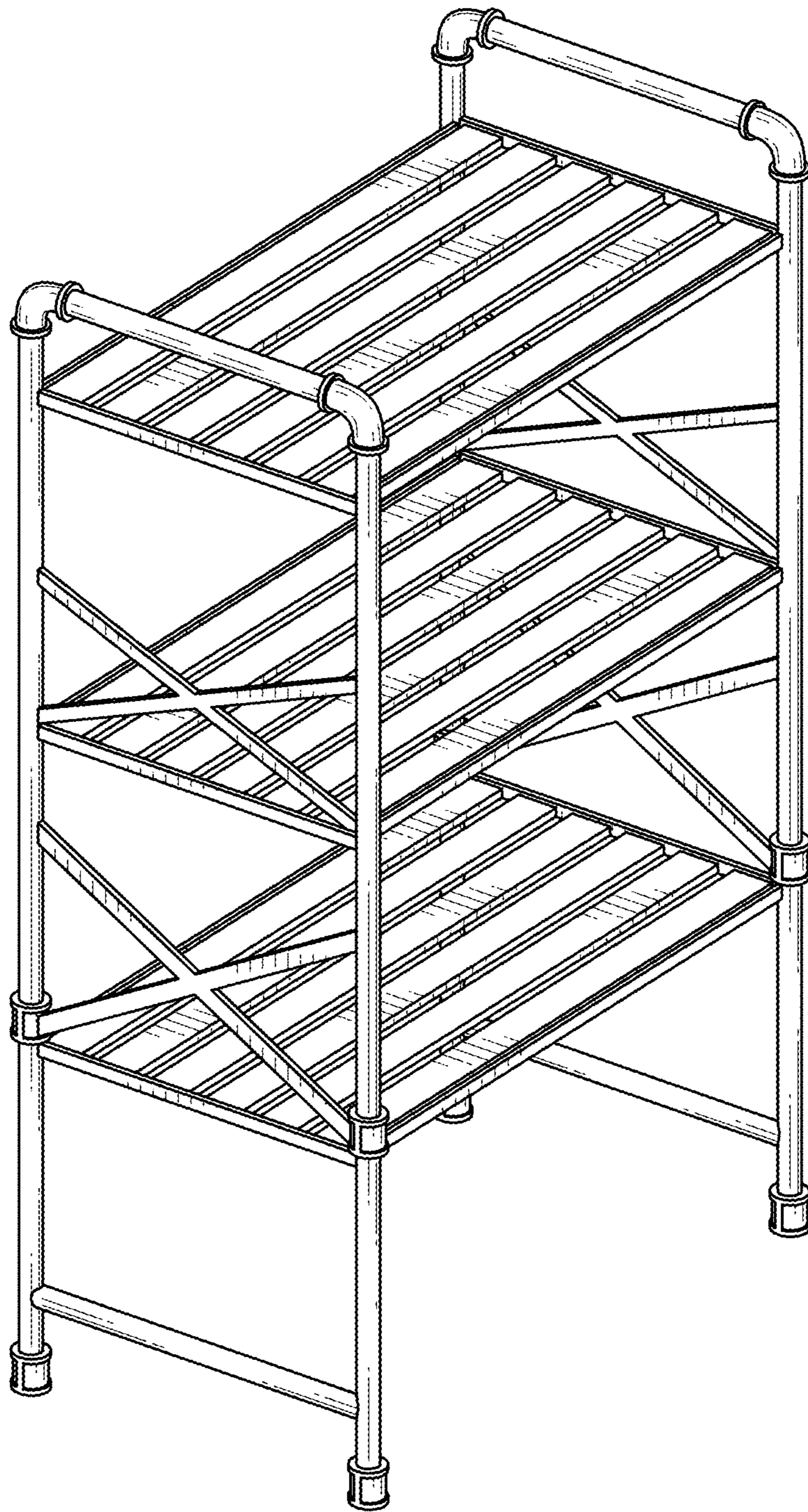


FIG. 9

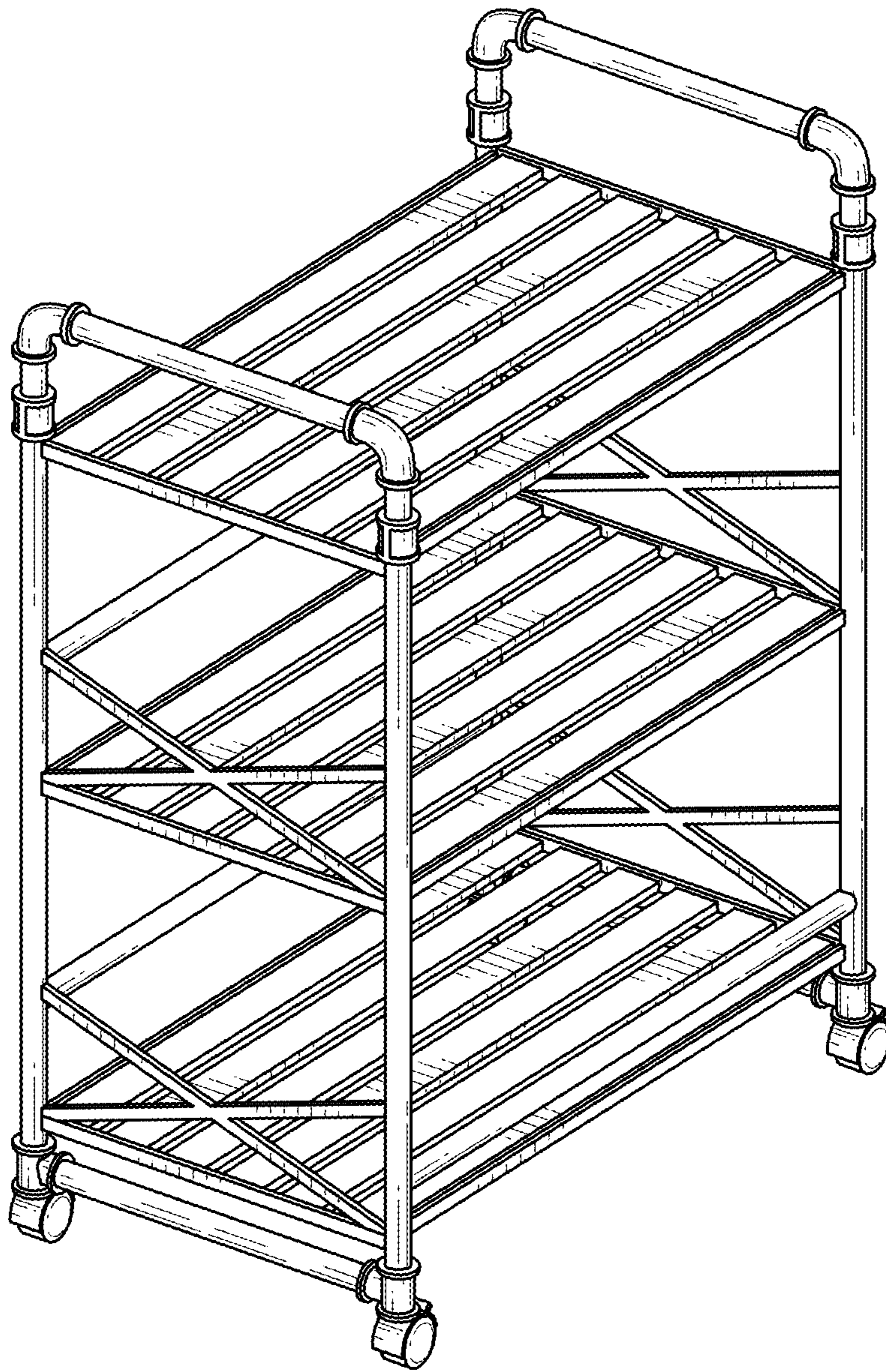


FIG. 10