

US00D949606S

(12) **United States Design Patent** (10) **Patent No.:** **US D949,606 S**
Li (45) **Date of Patent:** **** Apr. 26, 2022**

(54) **CABINET**

(71) Applicant: **Xia Li**, Nanyang (CN)

(72) Inventor: **Xia Li**, Nanyang (CN)

(**) Term: **15 Years**

(21) Appl. No.: **29/777,366**

(22) Filed: **Apr. 6, 2021**

(51) **LOC (13) Cl.** **06-04**

(52) **U.S. Cl.**
USPC **D6/671.1**

(58) **Field of Classification Search**
USPC D6/657, 663, 664, 667, 671, 671.1,
D6/671.2, 671.3, 671.4, 703, 703.3
CPC A47B 47/00; A47B 17/04; A47B 45/00;
A47B 47/03; A47B 47/04; A47B 63/00;
A47B 67/00; A47B 67/04; A47B 88/00;
A47B 88/40; A47B 88/42

See application file for complete search history.

(56) **References Cited**

U.S. PATENT DOCUMENTS

D186,115 S	*	9/1959	Church	D6/671.1
D401,081 S	*	11/1998	Zaidman	D6/671.1
D558,483 S		1/2008	Bertch et al.		
D813,573 S	*	3/2018	Hannoosh	D6/671
D865,412 S		11/2019	Guo		
D929,159 S	*	8/2021	Davis	D6/671.1
D935,810 S	*	11/2021	Davis	D6/671.1

OTHER PUBLICATIONS

Orre 22.6" Tall 2—Drawer Nightstand, from wayfair.com, Retrieved Date: Feb. 23, 2022, p. 1, from https://www.wayfair.com/Sango-Orre-2-Drawer-Nightstand-7238B004ACL09-L14-K~OYG10049.html?refid=GX528879519573-OYG10049_60014118&device=c&ptid=1355230202779&network=g&targetid=pla1355230202779&channel=GooglePLA&ireid=150724032&fdid=1817&PiID%5B%5D=60014118&gclid=EAlalQobChMlnerhyJiW9glVmKXlCh3ljAldEAQYAyABEglPddf_BwE (Year: 2022).*

* cited by examiner

Primary Examiner — Mimosa De

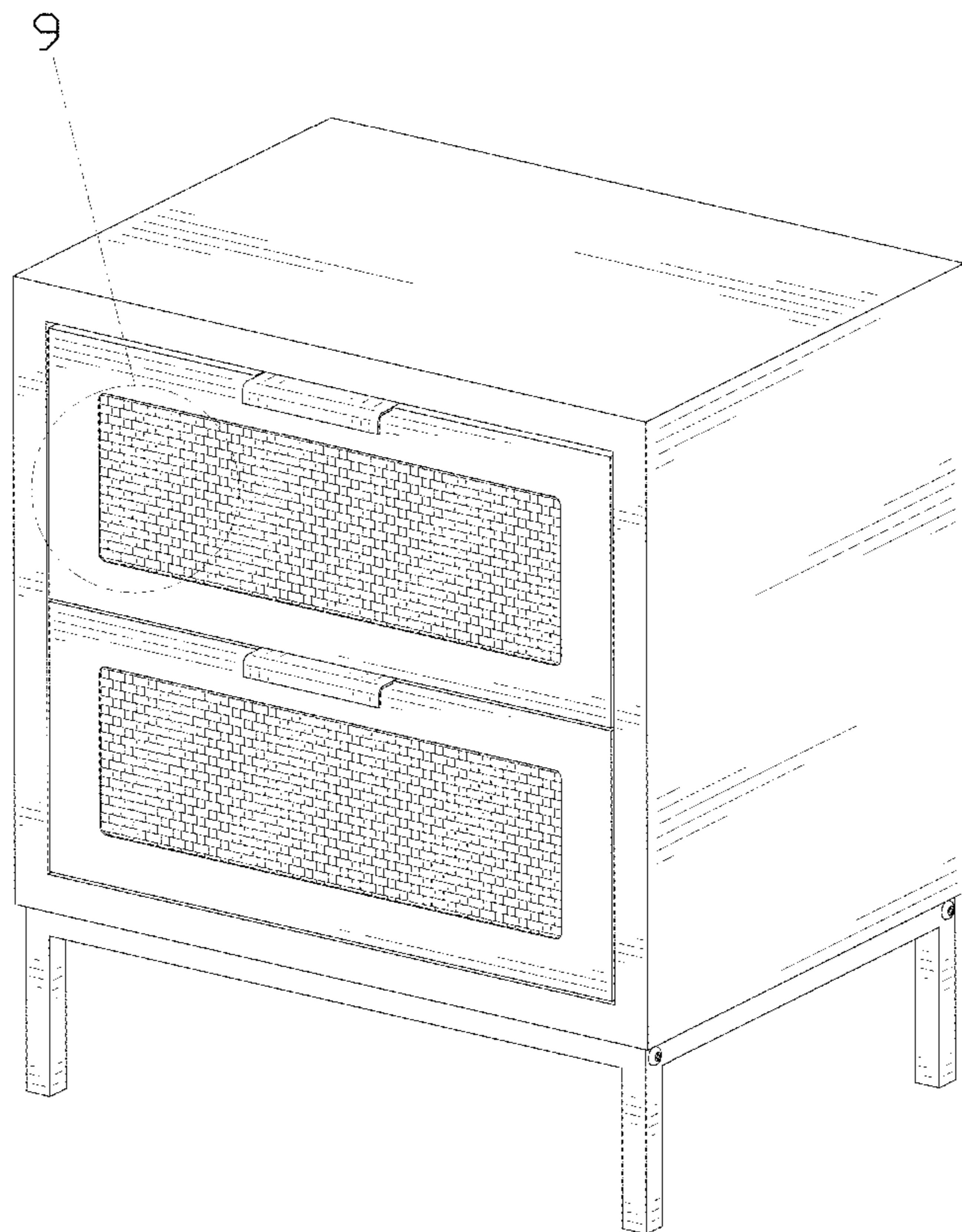
(57) **CLAIM**

The ornamental design for a cabinet, as shown and described.

DESCRIPTION

FIG. 1 is a perspective view of a cabinet showing my new design;
FIG. 2 is another perspective view thereof;
FIG. 3 is a front elevational view thereof;
FIG. 4 is a rear elevational view thereof;
FIG. 5 is a left side elevational view thereof;
FIG. 6 is a right side elevational view thereof;
FIG. 7 is a top plan view thereof;
FIG. 8 is a bottom plan view thereof; and,
FIG. 9 is an enlarged view of portion 9 shown in FIG. 1.

1 Claim, 9 Drawing Sheets



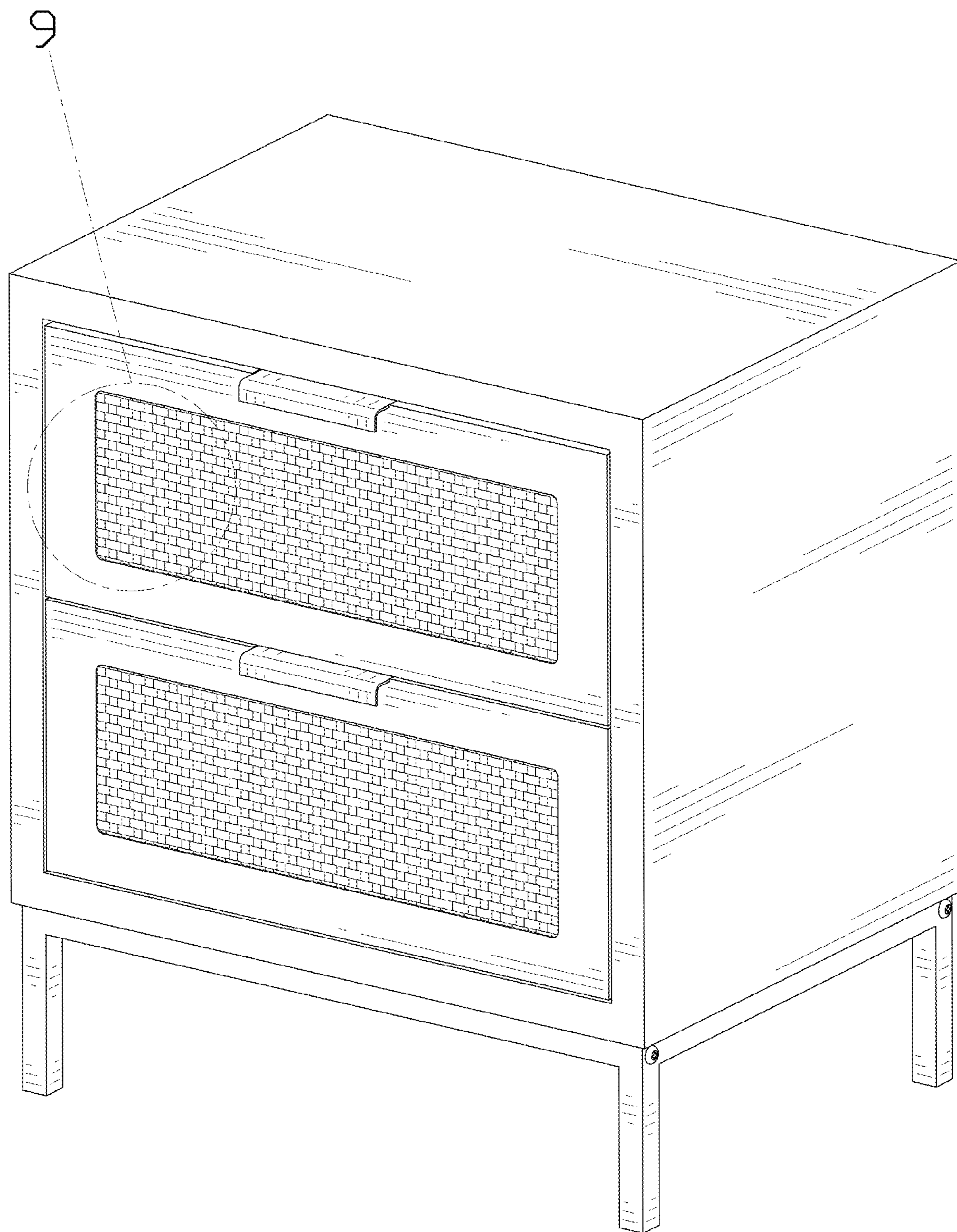


FIG. 1

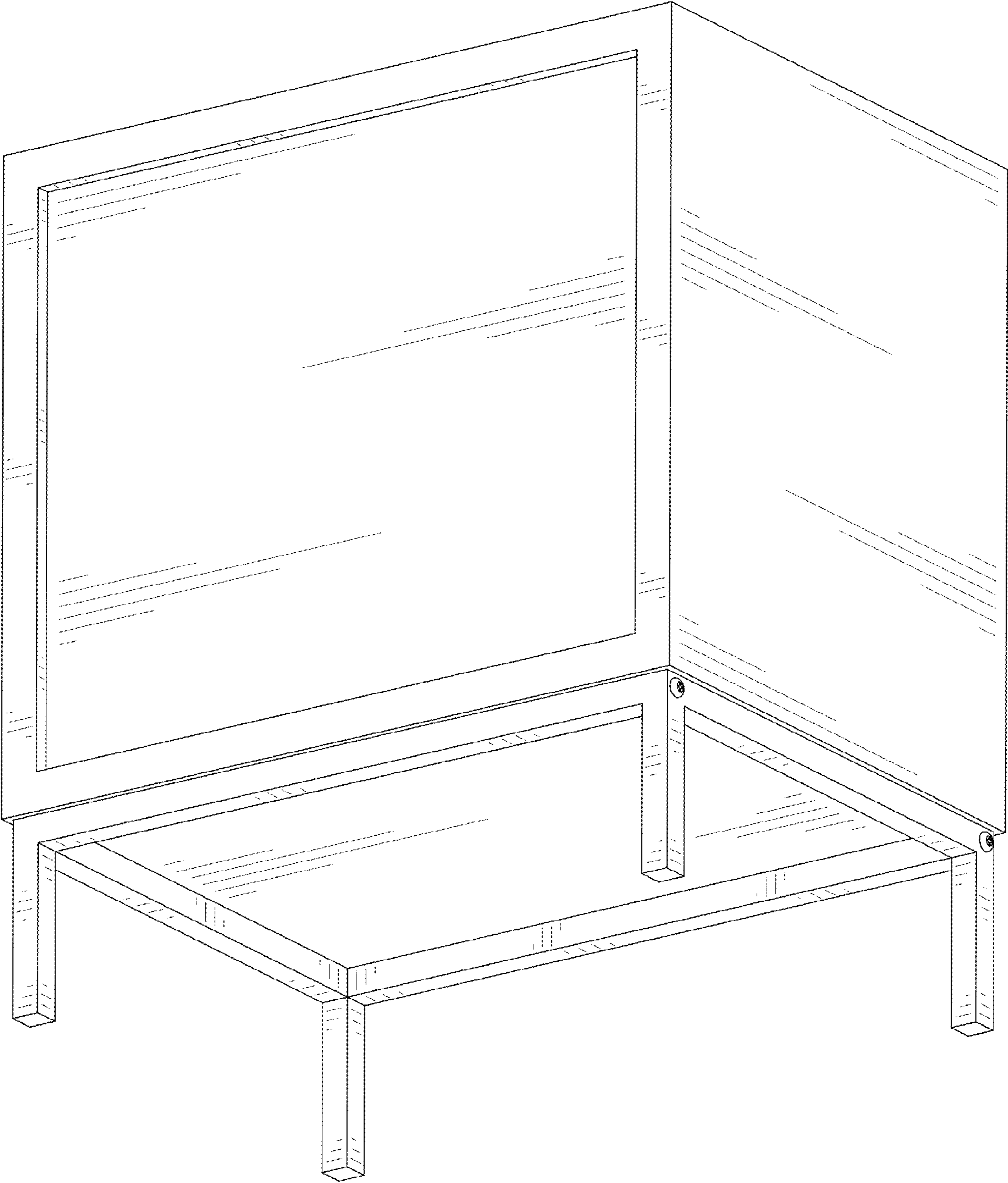


FIG. 2

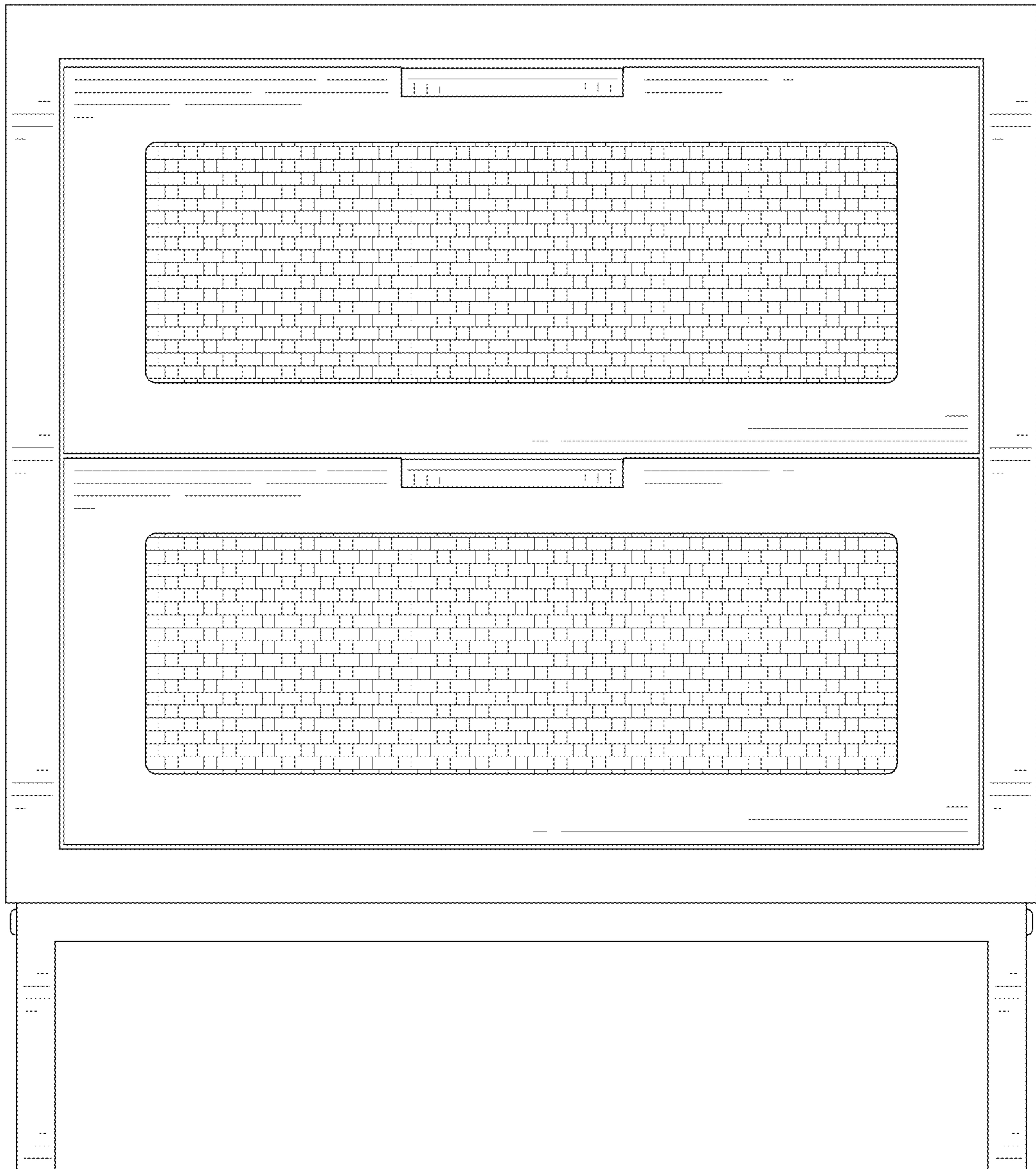


FIG. 3

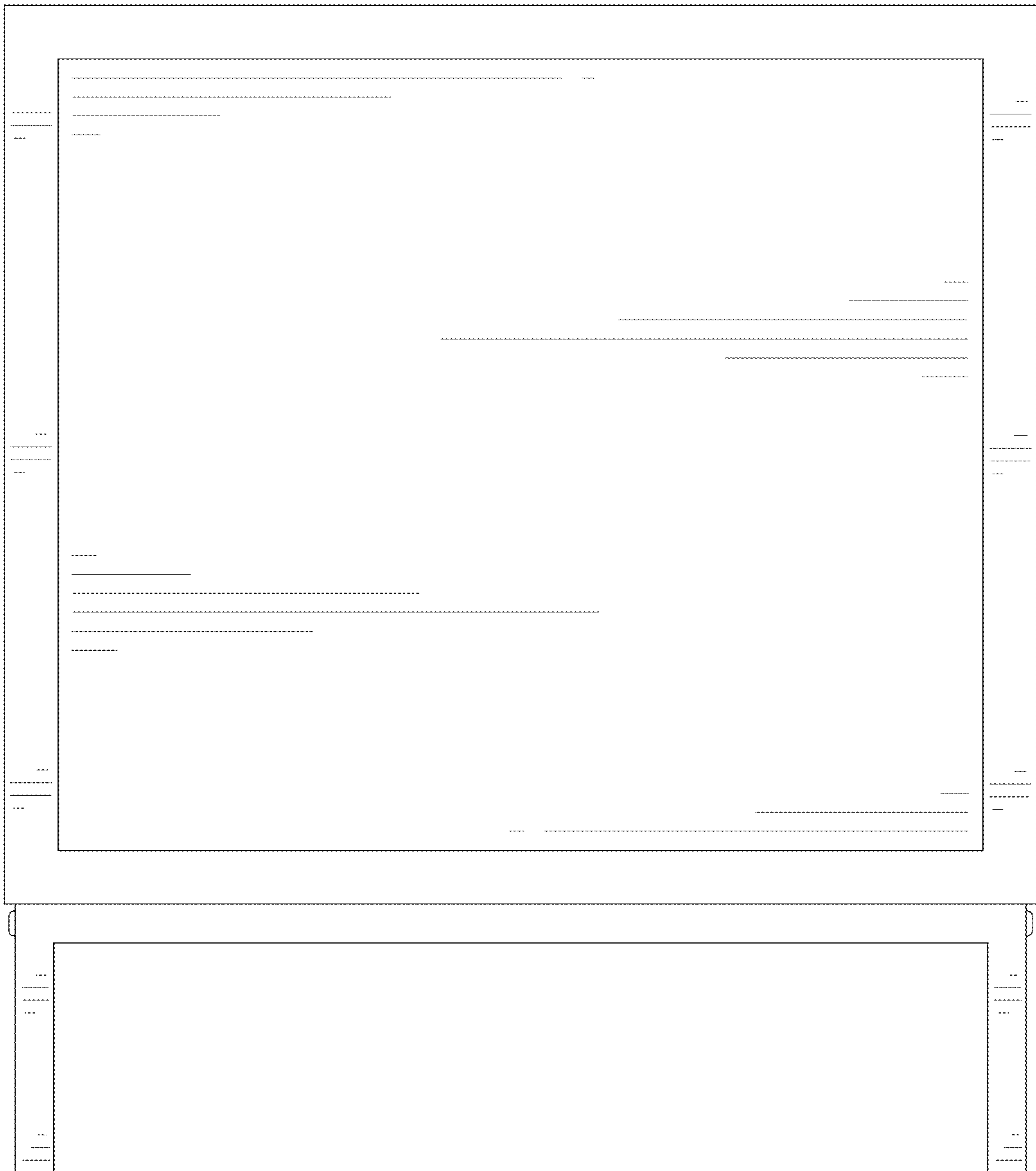


FIG. 4

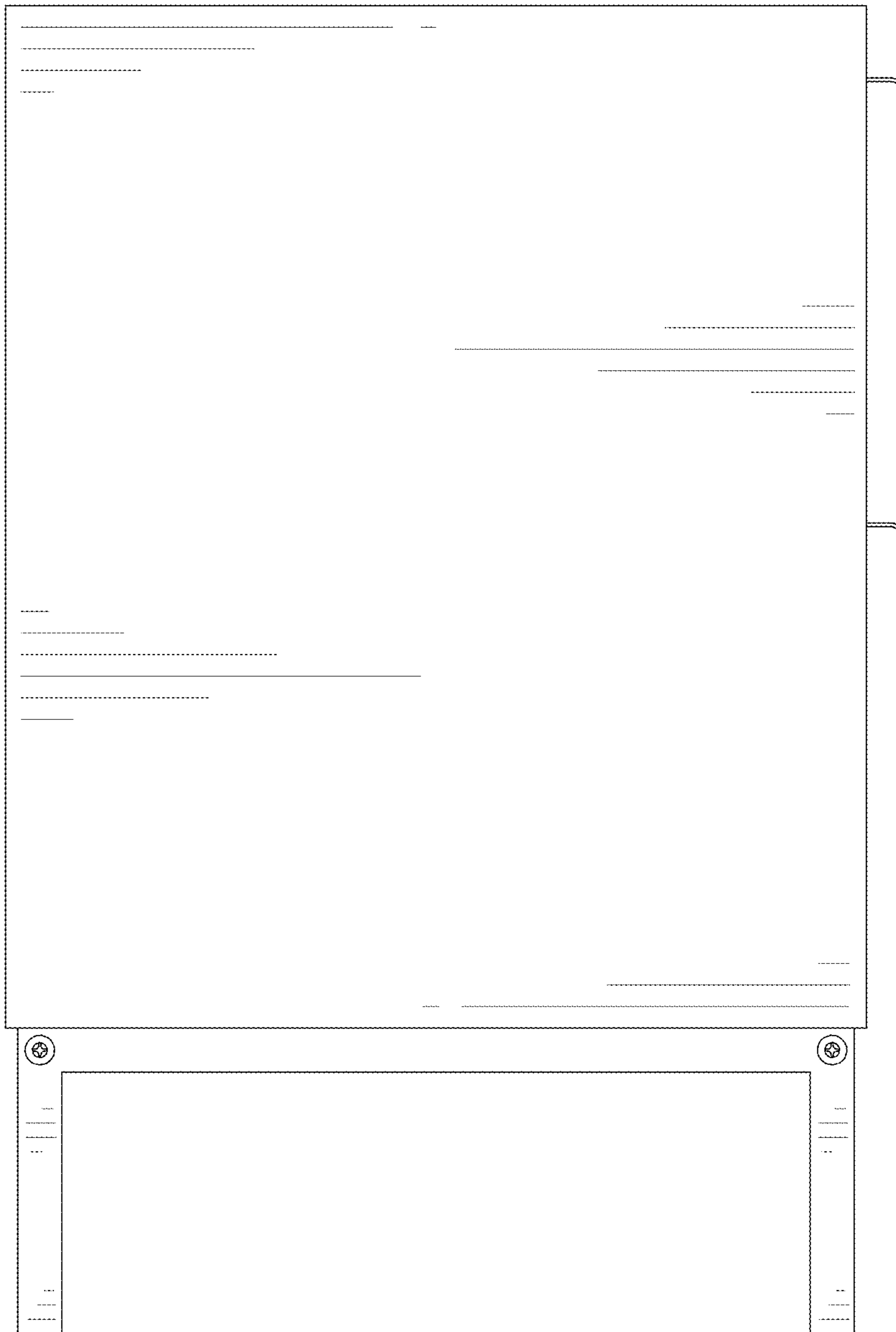


FIG. 5

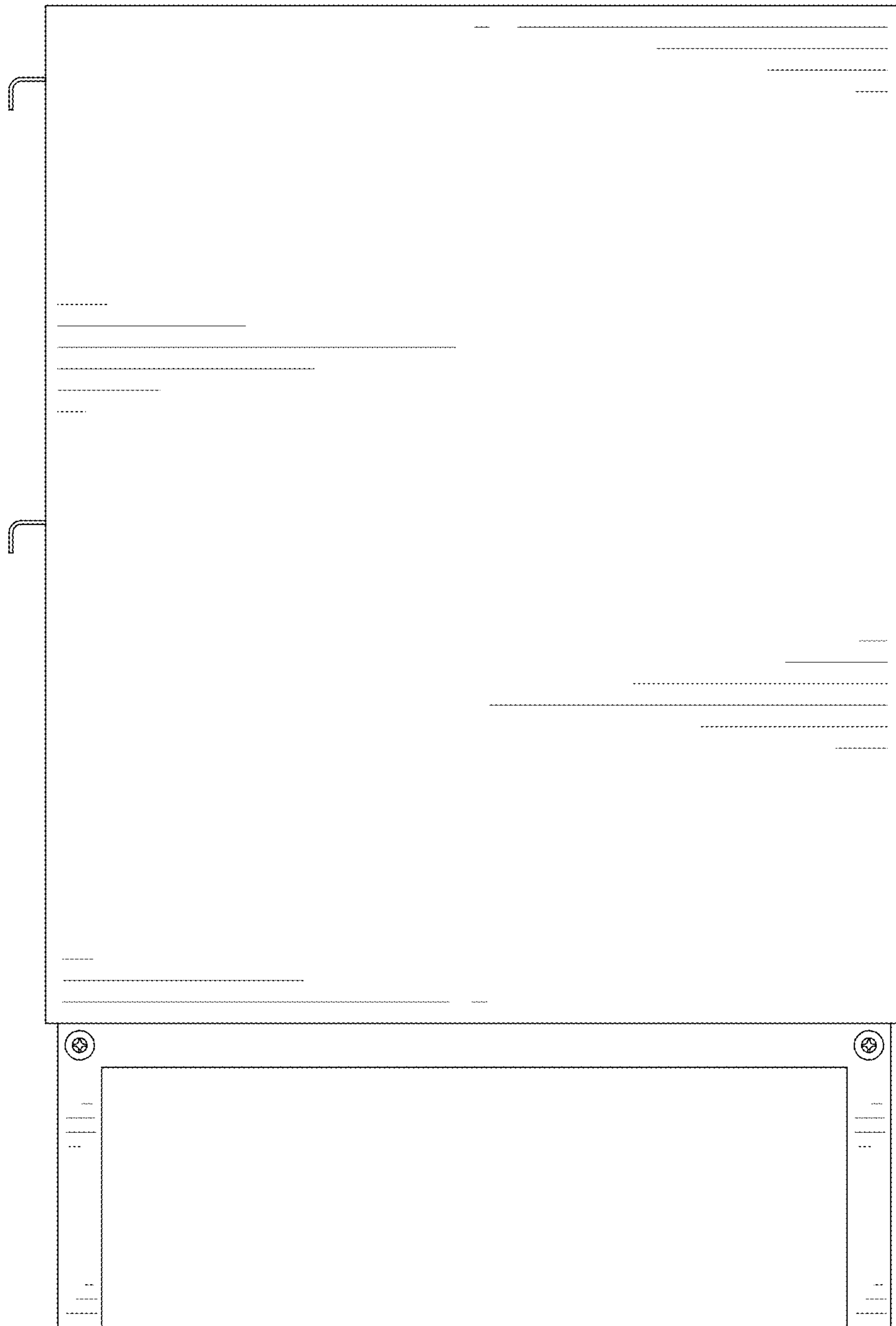


FIG. 6



FIG. 7



FIG. 8

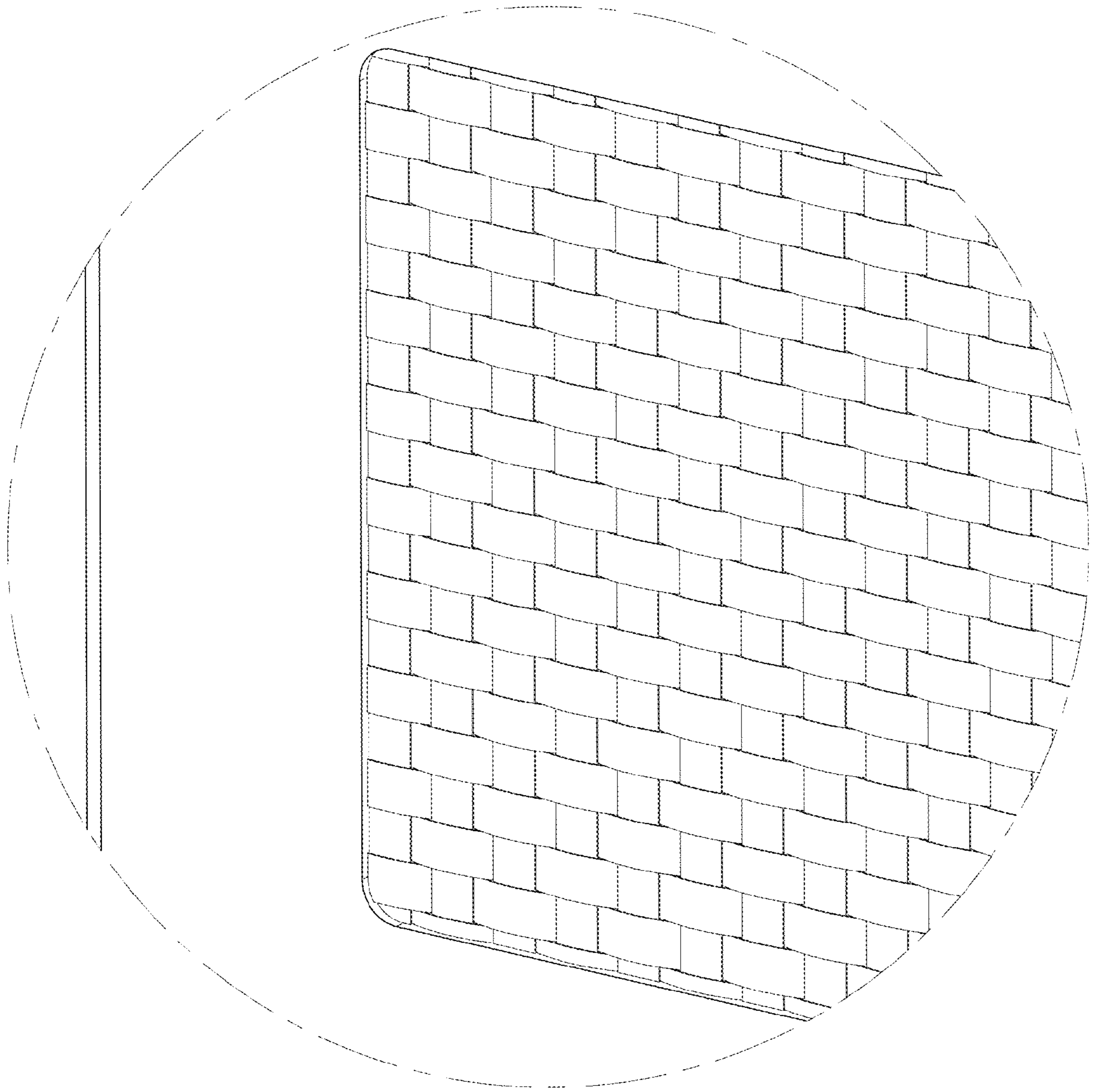


FIG. 9