



US00D949605S

(12) **United States Design Patent**  
**Zhu**

(10) **Patent No.:** **US D949,605 S**

(45) **Date of Patent:** **\*\* Apr. 26, 2022**

(54) **FILE CABINET**

(71) Applicant: **Luoyang KAER Office Furniture Co., Ltd.**, Luoyang (CN)

(72) Inventor: **Lixue Zhu**, Luoyang (CN)

(73) Assignee: **Luoyang KAER Office Furniture Co., Ltd.**, Luoyang (CN)

(\*\*) Term: **15 Years**

(21) Appl. No.: **29/784,352**

(22) Filed: **May 19, 2021**

(51) **LOC (13) Cl.** ..... **06-04**

(52) **U.S. Cl.**  
USPC ..... **D6/663; D6/705**

(58) **Field of Classification Search**

USPC ..... D6/663, 664, 664.1, 667, 671, 671.1, D6/671.2, 671.3, 671.4, 705, 705.5; D3/273, 294, 295, 296, 297, 298  
CPC ..... A47B 17/04; A47B 47/00; A47B 47/04; A47B 57/00; A47B 67/00; A47B 67/04; A47B 88/00; A47B 88/40; A47B 88/42; A47B 88/402; A47B 88/407; A47B 88/413; A47B 88/417; A47B 88/433; A47B 88/90; A47B 88/944  
See application file for complete search history.

(56) **References Cited**

**U.S. PATENT DOCUMENTS**

D263,100 S \* 2/1982 Thompson ..... D6/663  
6,073,794 A \* 6/2000 Bidot ..... A47B 88/90  
312/348.3

D514,846 S 2/2006 McDiarmid  
D554,707 S \* 11/2007 Hussaini ..... D3/297  
D610,001 S \* 2/2010 McAlpine ..... D6/705  
D611,342 S \* 3/2010 McAlpine ..... D3/297  
D613,973 S 4/2010 Holcomb  
2003/0137227 A1\* 7/2003 Hoenig ..... A47B 88/90  
312/348.3  
2008/0054770 A1\* 3/2008 Greiner ..... A47B 88/994  
312/235.2

\* cited by examiner

*Primary Examiner* — Mimosa De

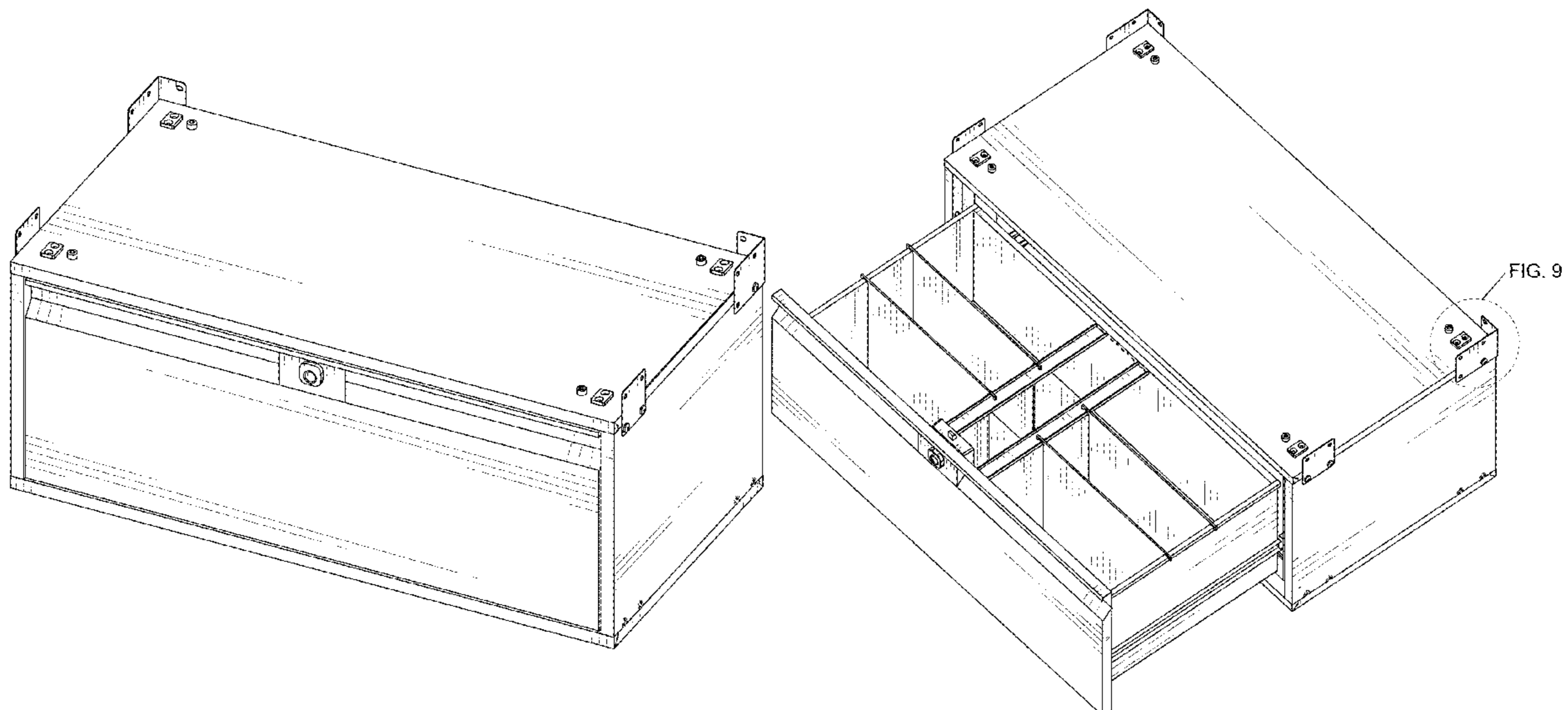
(57) **CLAIM**

The ornamental design for a file cabinet, as shown and described.

**DESCRIPTION**

FIG. 1 is a perspective view of a file cabinet showing my new design;  
FIG. 2 is a front view thereof;  
FIG. 3 is a rear view thereof;  
FIG. 4 is a left side view thereof;  
FIG. 5 is a right side view thereof;  
FIG. 6 is a top plan view thereof;  
FIG. 7 is a bottom plan view thereof;  
FIG. 8 is a perspective view of open state; and,  
FIG. 9 is an enlarged view of portion of FIG. 8.  
The dashed or broken lines shown in the drawings depict portions of the file cabinet in which the design is embodied that form no part of the claimed design.

**1 Claim, 9 Drawing Sheets**



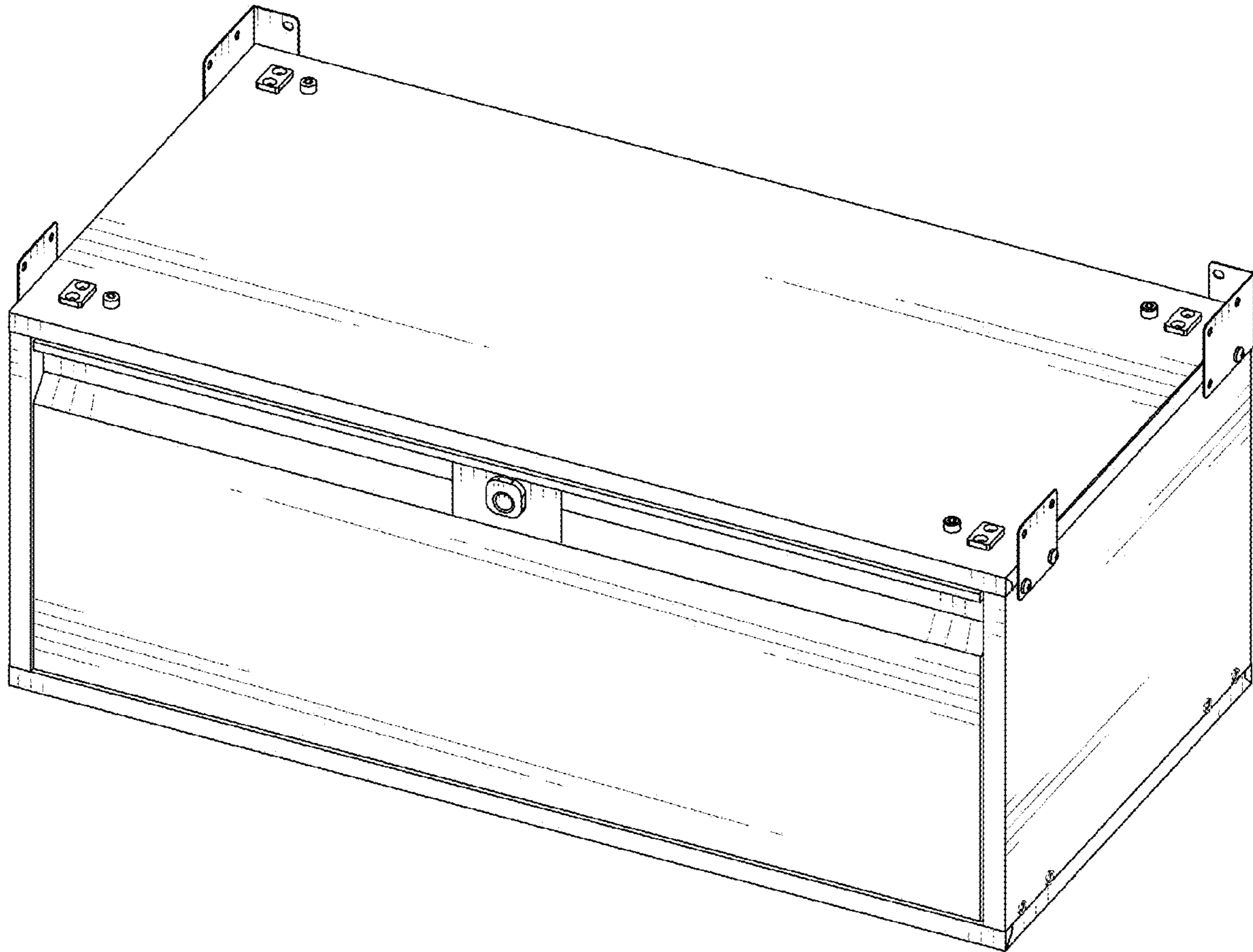


FIG. 1

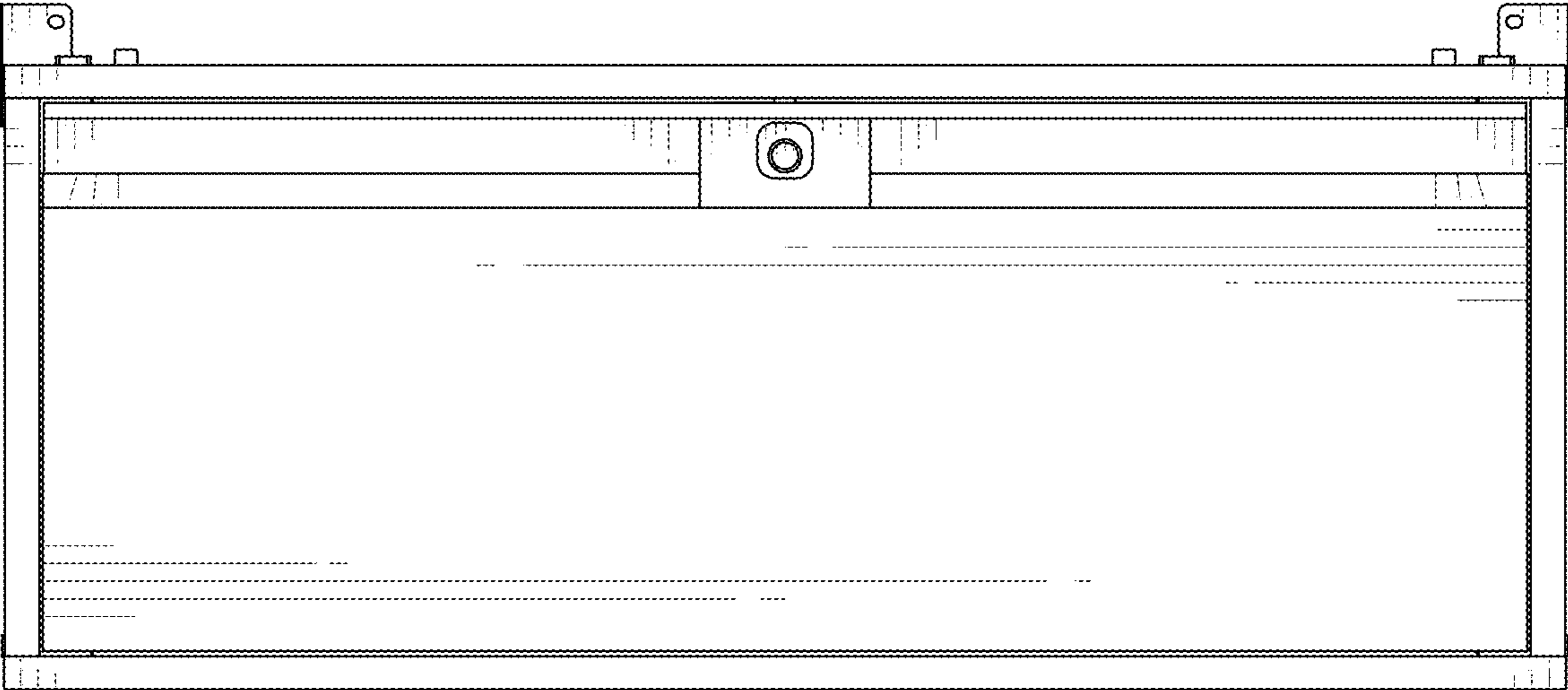


FIG. 2

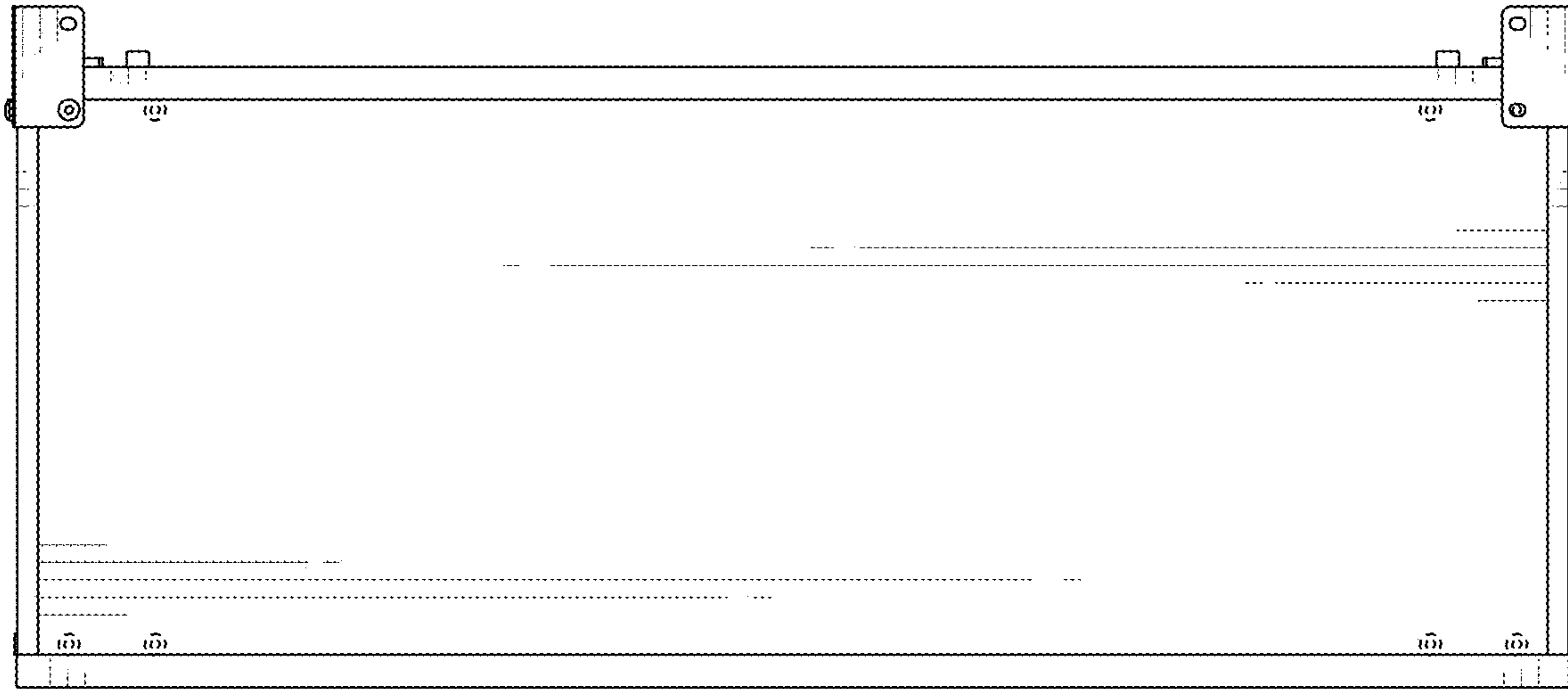


FIG. 3

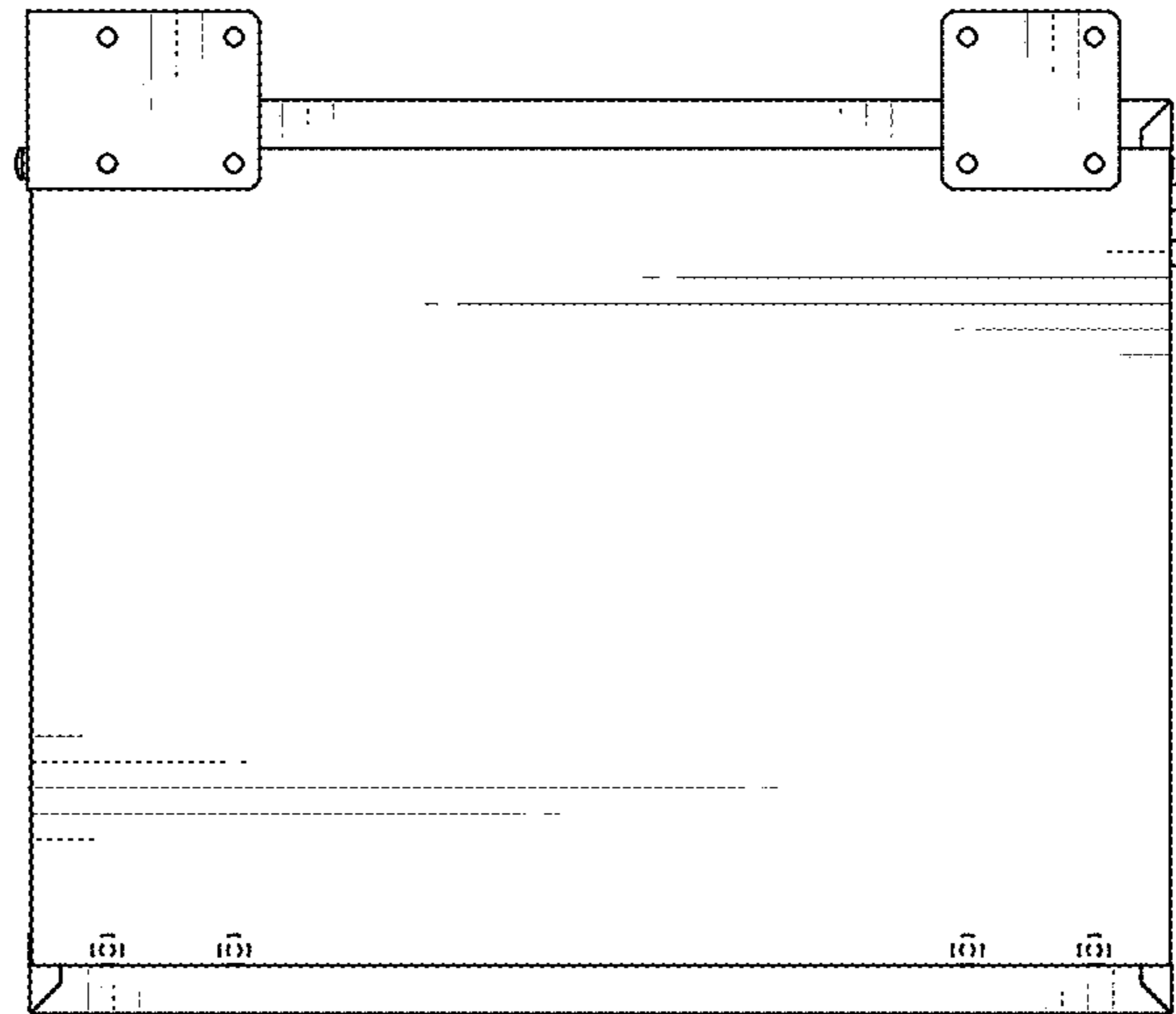


FIG. 4

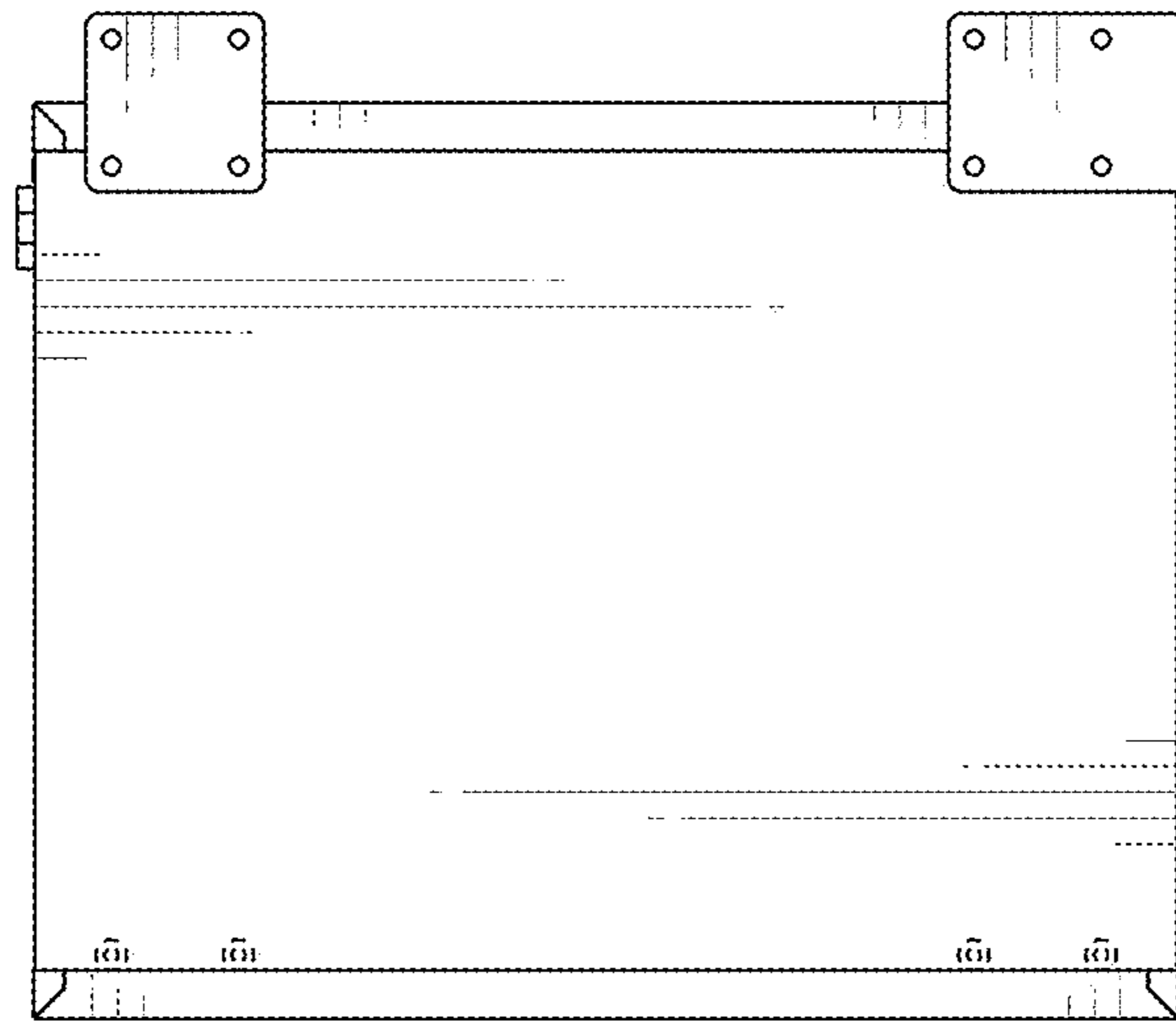


FIG. 5

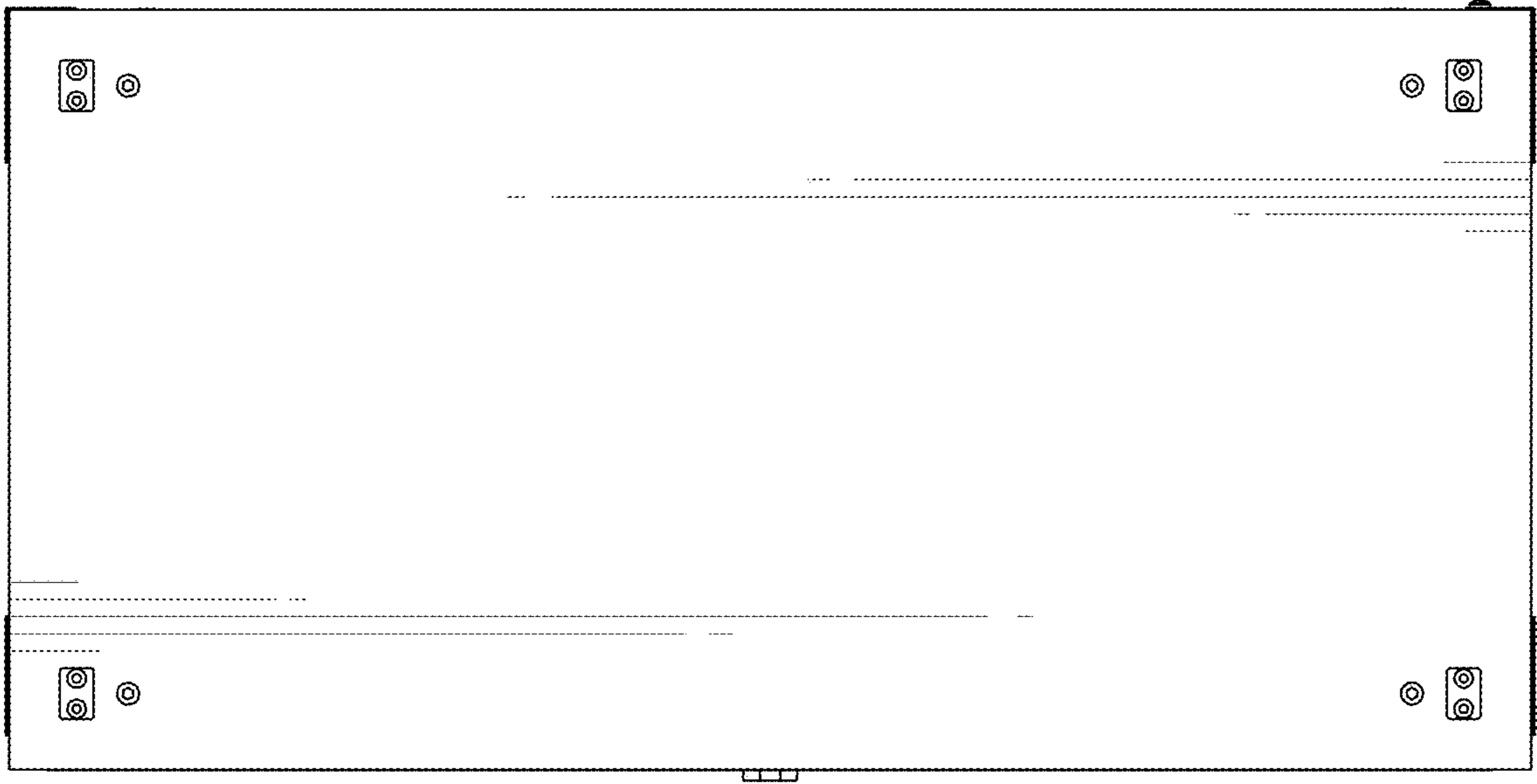


FIG. 6

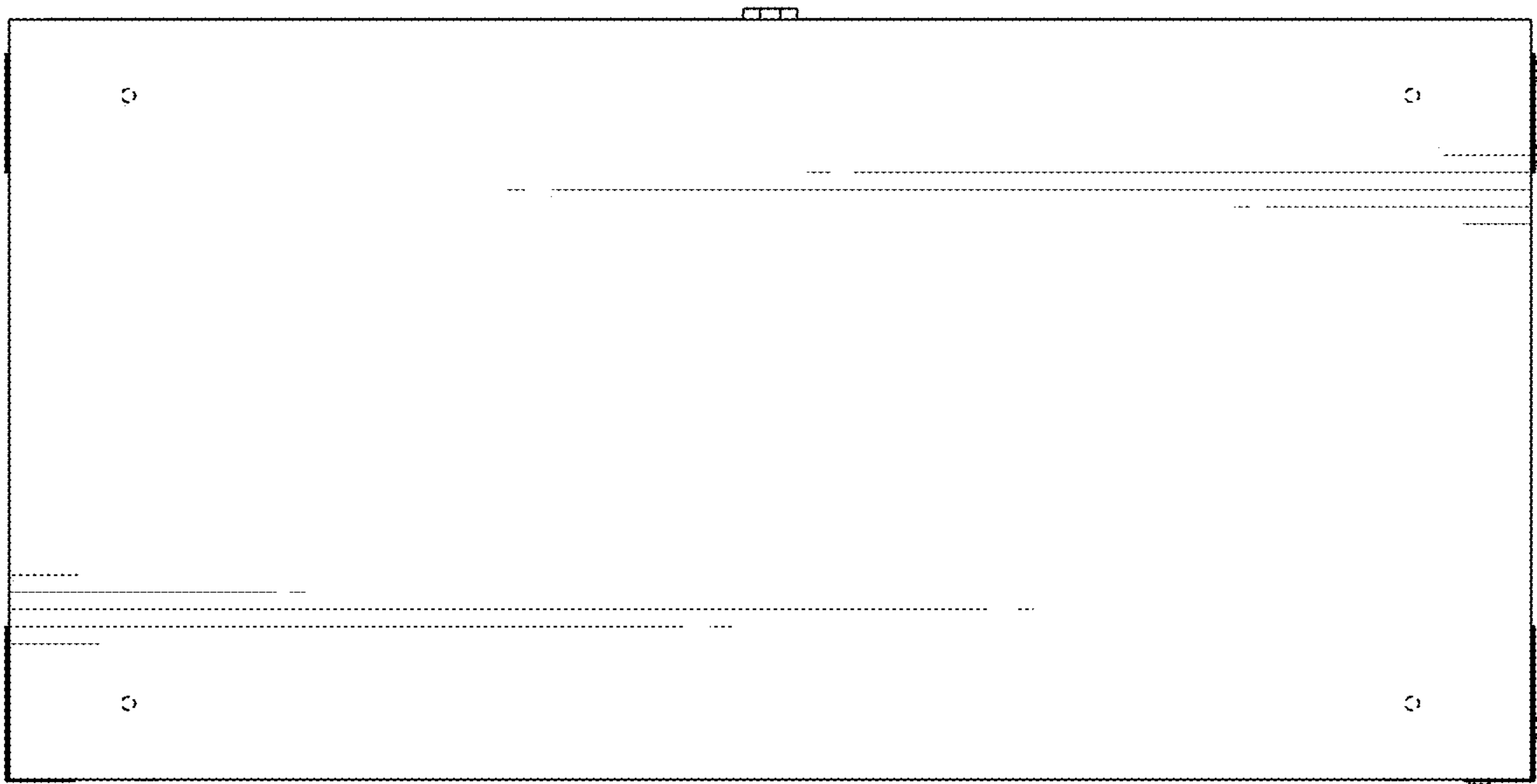


FIG. 7



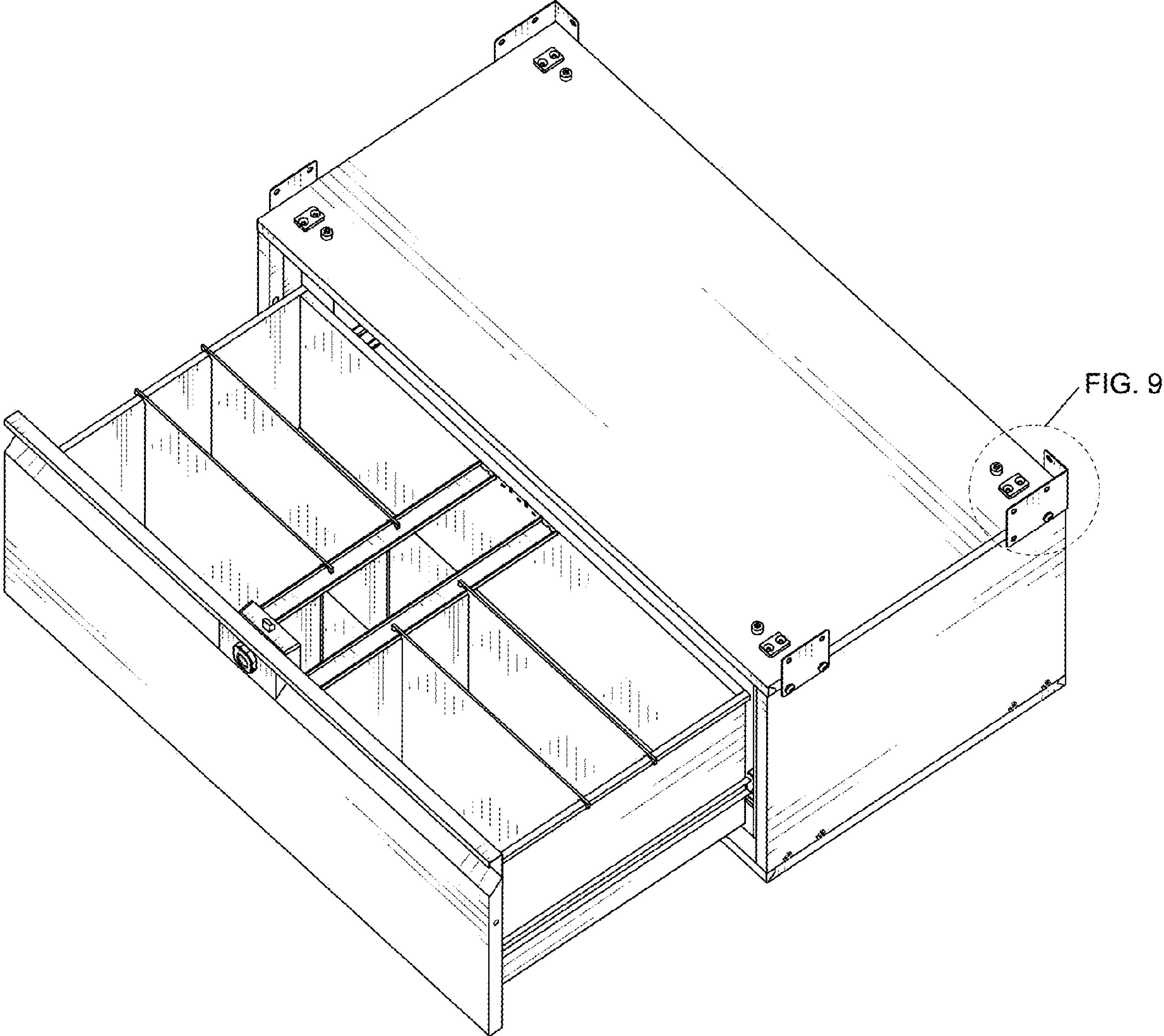


FIG. 8

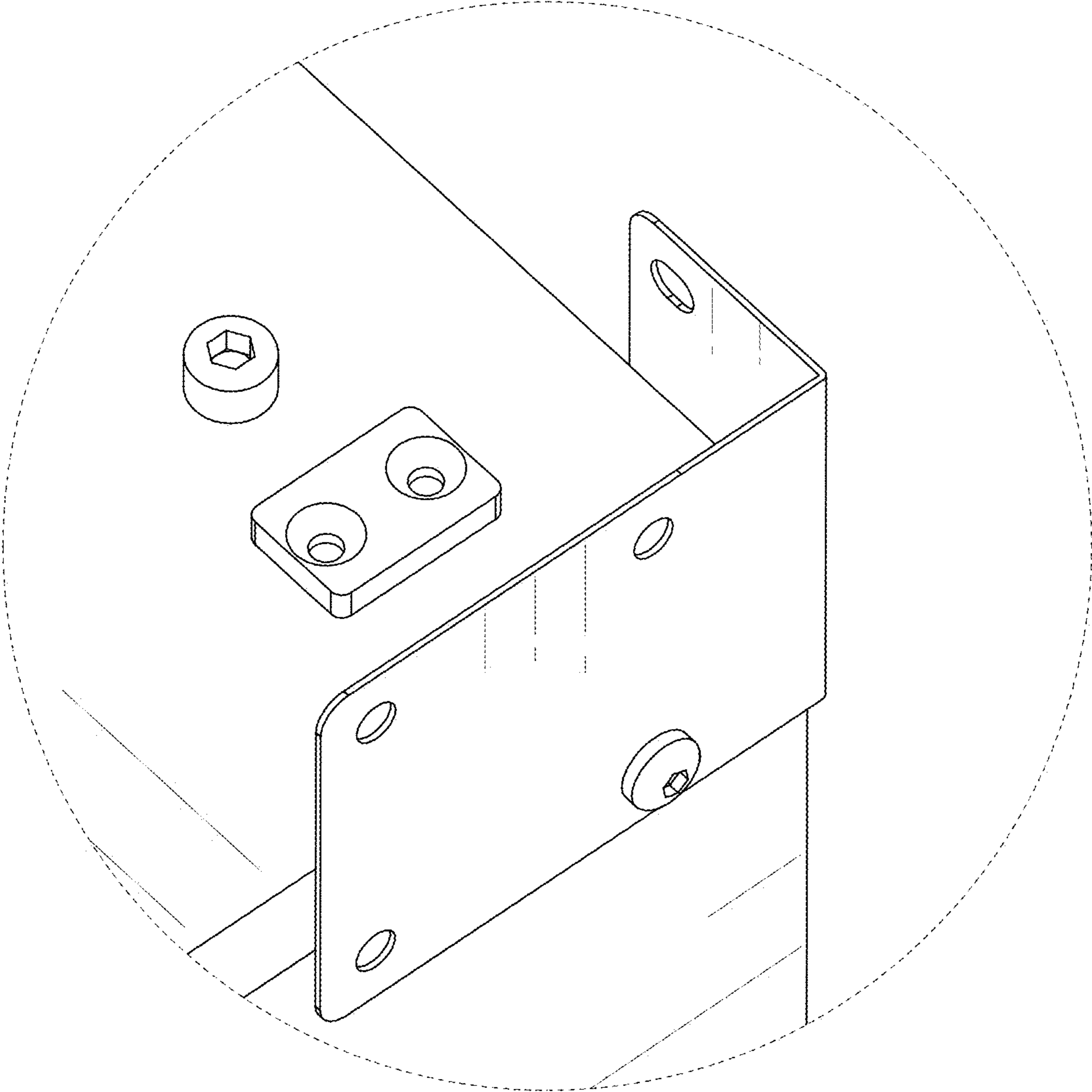


FIG. 9