



US00D949604S

(12) **United States Design Patent** (10) **Patent No.:** **US D949,604 S**
Liu (45) **Date of Patent:** **** Apr. 26, 2022**

(54) **LIFTABLE TABLE**

(71) Applicant: **SHENZHEN BESTQI INNOVATION TECHNOLOGY CO., LTD**, Shenzhen (CN)

(72) Inventor: **Hongwei Liu**, Shenzhen (CN)

(73) Assignee: **SHENZHEN BESTQI INNOVATION TECHNOLOGY CO., LTD**, Shenzhen (CN)

(**) Term: **15 Years**

(21) Appl. No.: **29/757,791**

(22) Filed: **Nov. 10, 2020**

(51) **LOC (13) Cl.** **06-03**

(52) **U.S. Cl.**
USPC **D6/656**

(58) **Field of Classification Search**
USPC D6/641, 643, 655, 655.17, 656, 656.1, D6/656.13, 686; D12/128, 132
CPC A47B 7/00; A47B 9/00; A47B 9/02; A47B 13/00; A47B 13/02; A47B 13/04; A47B 13/06; A47B 13/08; A47B 13/12; A47B 17/00; A47B 21/00; A47B 21/02; A47B 2021/0321; A47B 2200/0001; A47B 2200/0011; A47B 2200/02; A47B 2200/0035

See application file for complete search history.

(56) **References Cited**

U.S. PATENT DOCUMENTS

9,326,598 B1 * 5/2016 West A47B 23/04
10,244,861 B1 * 4/2019 Poniatowski A47B 9/16
D891,819 S * 8/2020 Kang D6/641

D931,658 S * 9/2021 Xing D6/656
2010/0242174 A1 * 9/2010 Morrison, Sr. A61B 90/60
5/507.1
2018/0103752 A1 * 4/2018 Zhong A47B 3/02
2018/0146775 A1 * 5/2018 You A47B 9/16
2018/0360208 A1 * 12/2018 Liao A47B 21/02
2020/0015584 A1 * 1/2020 Fletcher-Price A47B 21/02
2021/0386194 A1 * 12/2021 Egelund A47B 9/16

OTHER PUBLICATIONS

Standing Keyboard Lift, by Mount-It!—Amamzonn Date frist available—Aug. 11, 2020 <https://www.amazon.com/Standing-Adjustable-Keyboards-Ergonomic-Workstation/dp/B084CWQSKC> retrieved from the internet on Feb. 28, 2022.*

* cited by examiner

Primary Examiner — Mary Ann Calabrese

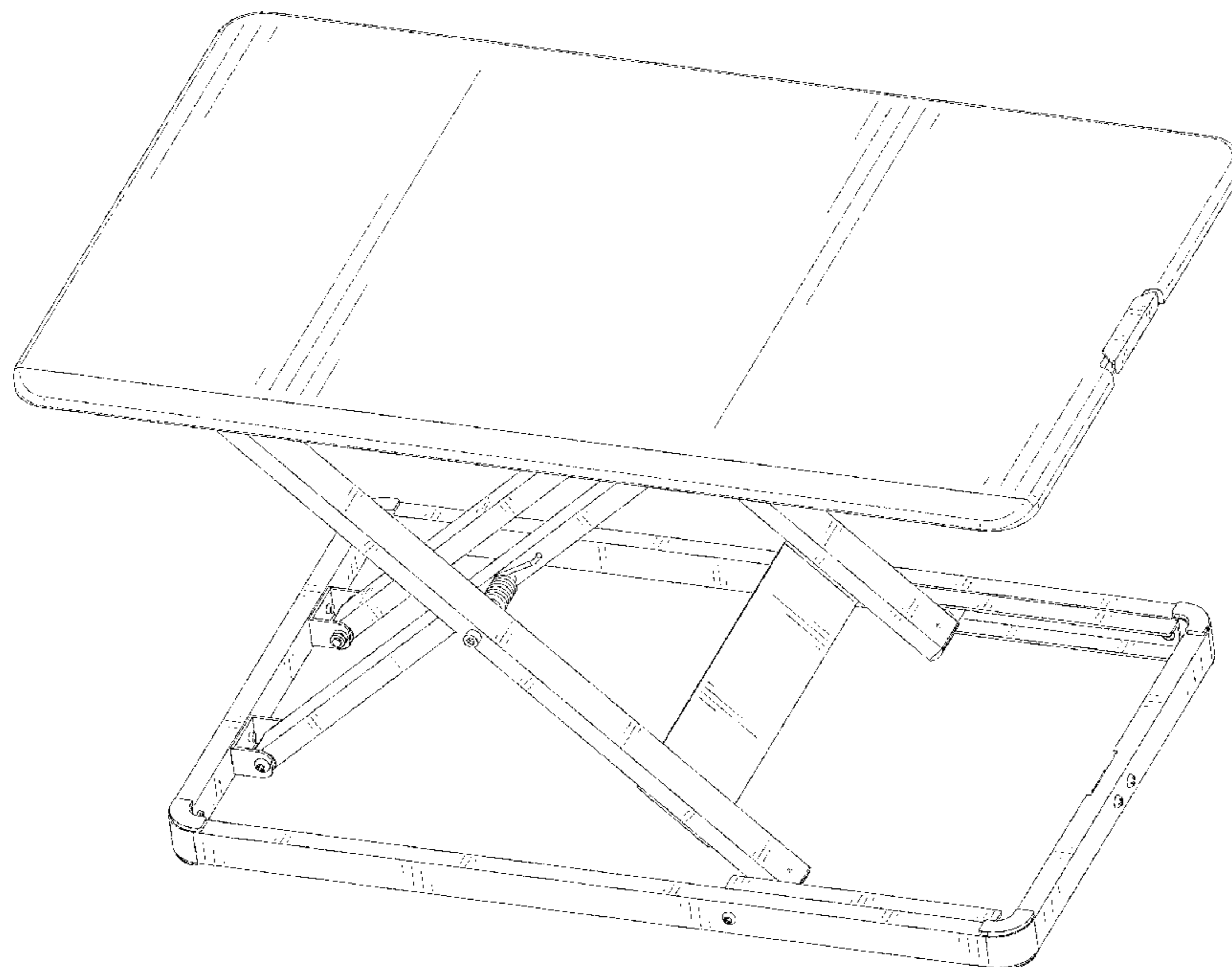
(57) **CLAIM**

The ornamental design for a liftable table, as shown and described.

DESCRIPTION

FIG. 1 is a top, front perspective view of a liftable table showing my new design;
FIG. 2 is another bottom, rear perspective view thereof;
FIG. 3 is a front elevational view thereof;
FIG. 4 is a rear elevational view thereof;
FIG. 5 is a left side elevational view thereof;
FIG. 6 is a right side elevational view thereof;
FIG. 7 is a top plan view thereof;
FIG. 8 is a bottom plan view thereof; and,
FIG. 9 is a bottom perspective view of the liftable table where the liftable table is in a folded state.

1 Claim, 9 Drawing Sheets



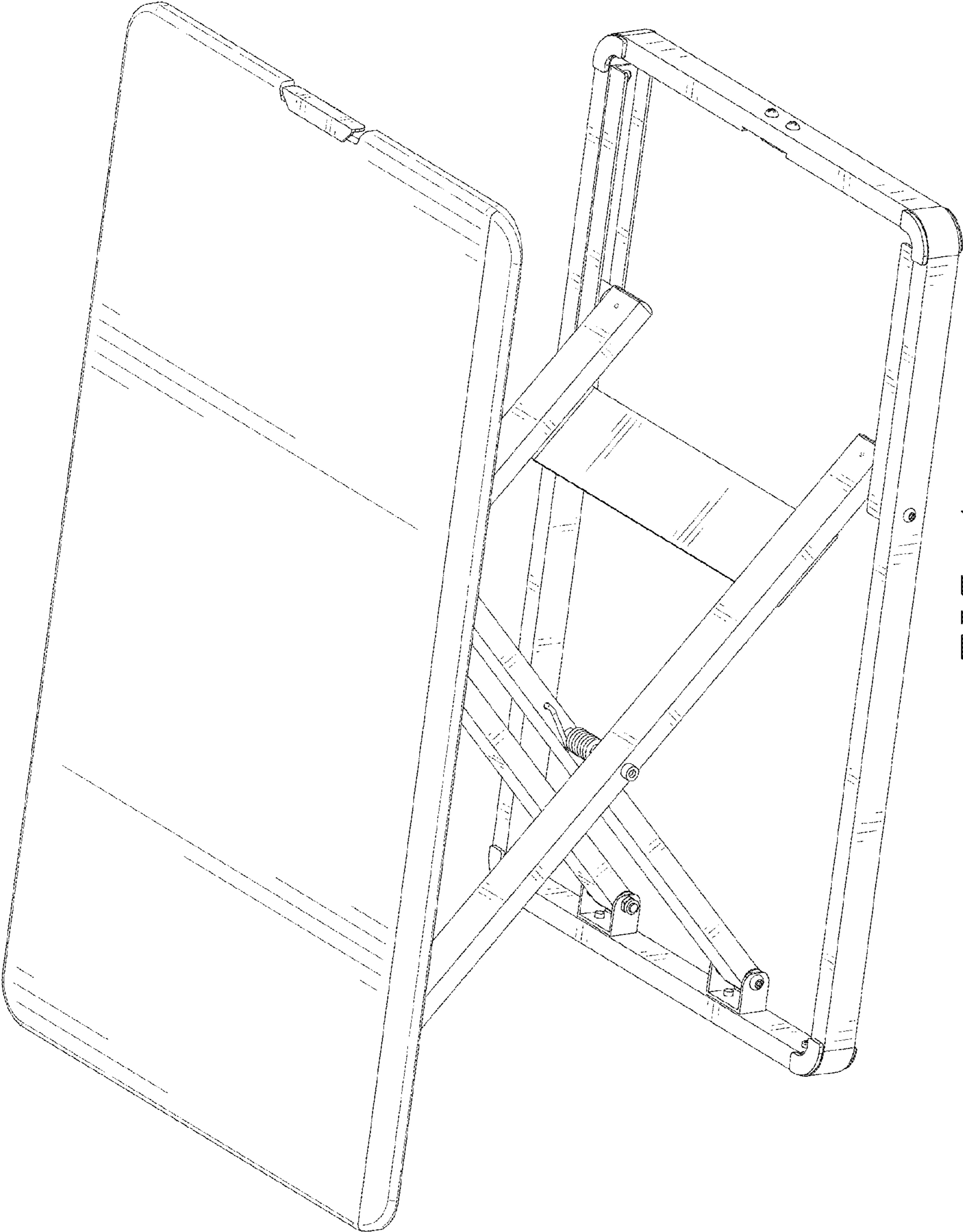


FIG. 1

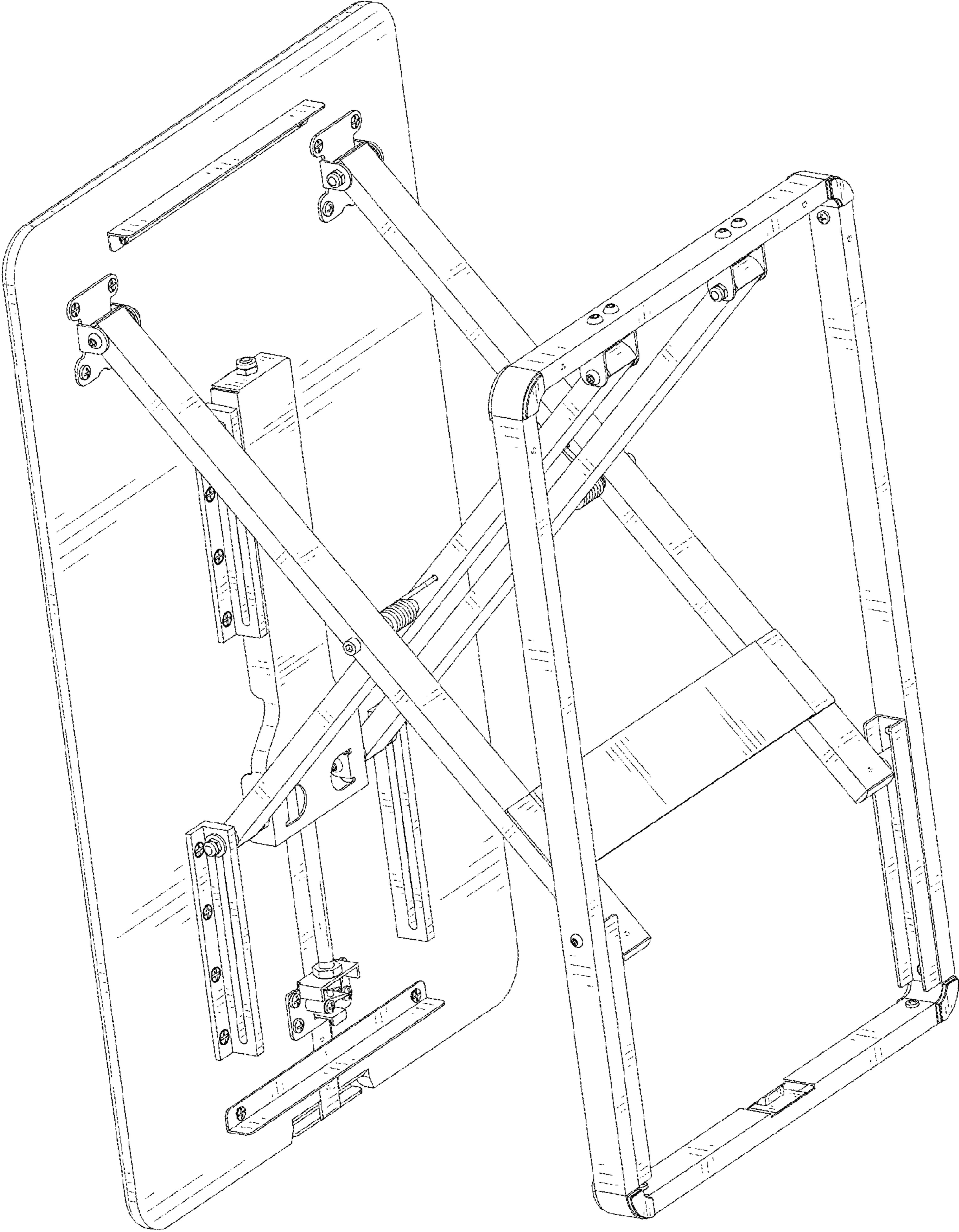


FIG. 2

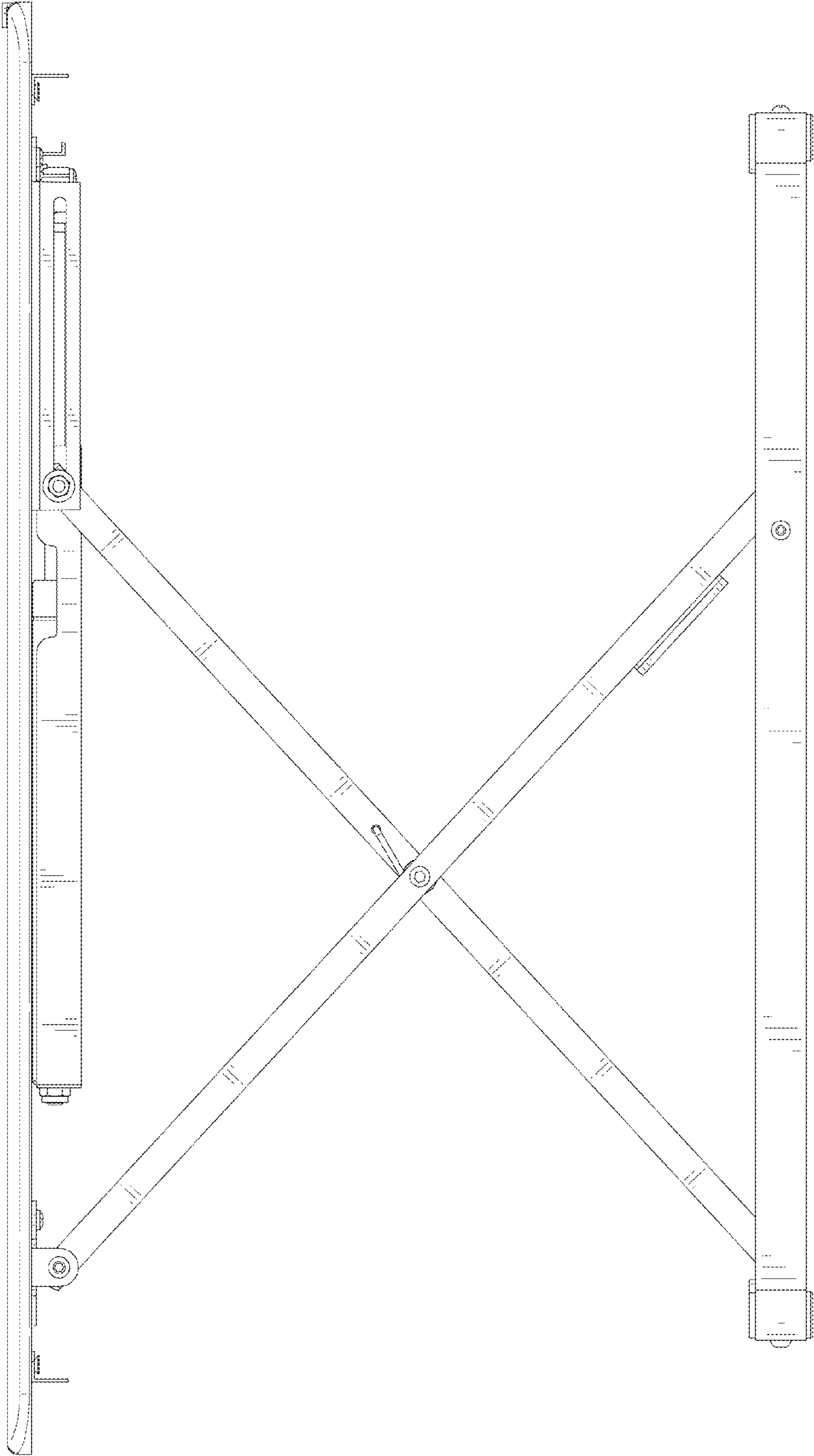


FIG. 3

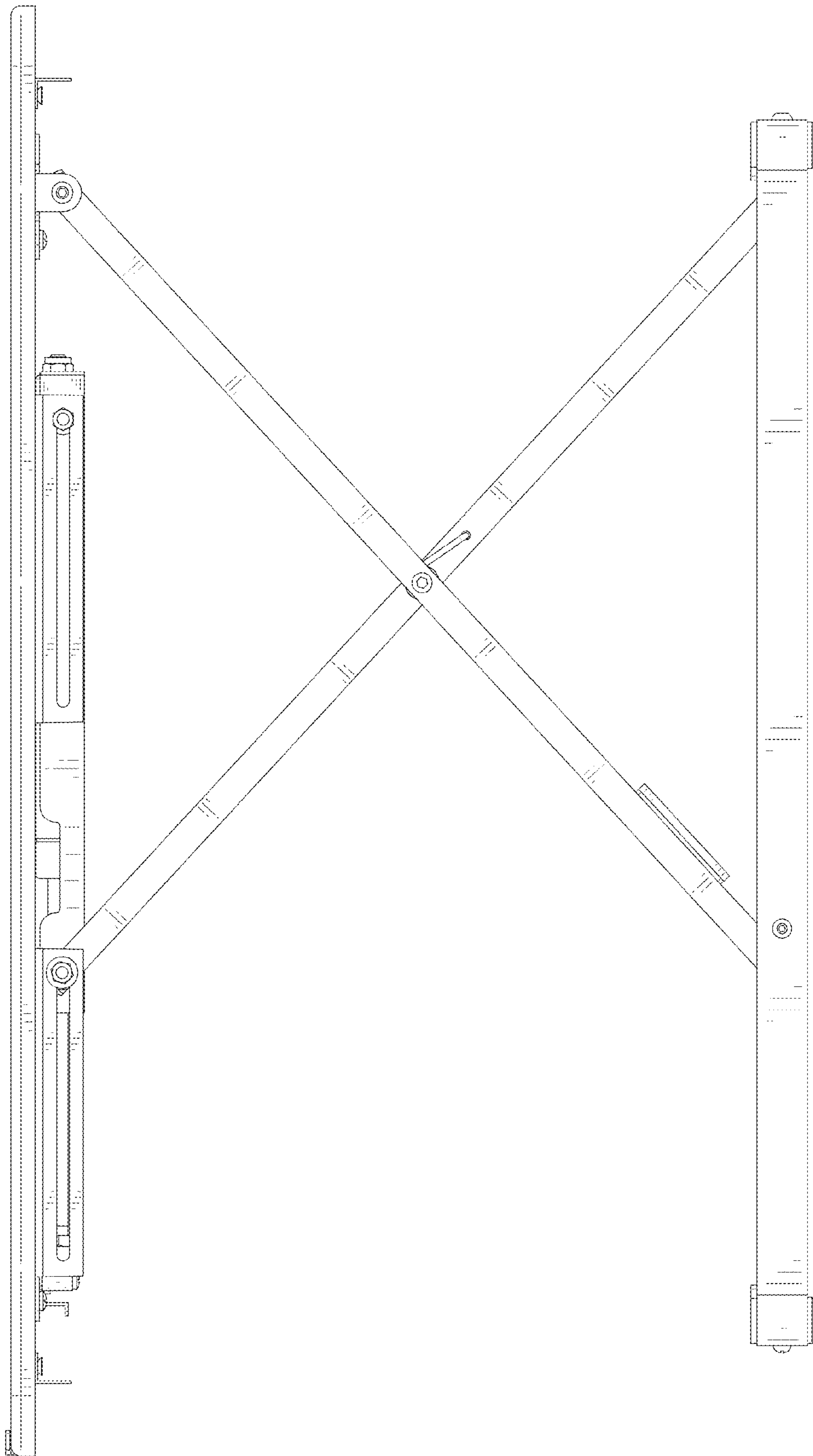


FIG. 4

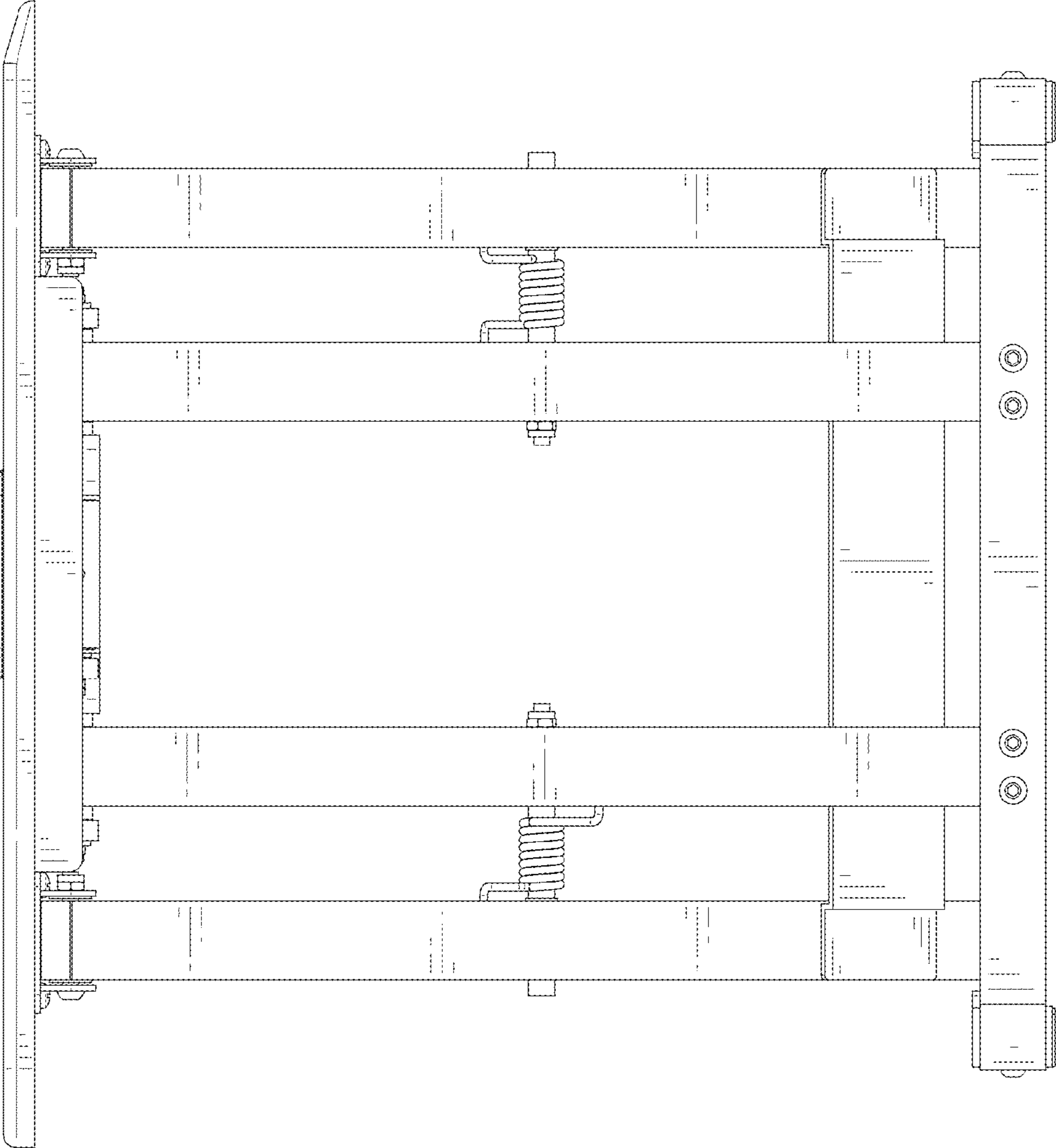


FIG. 5

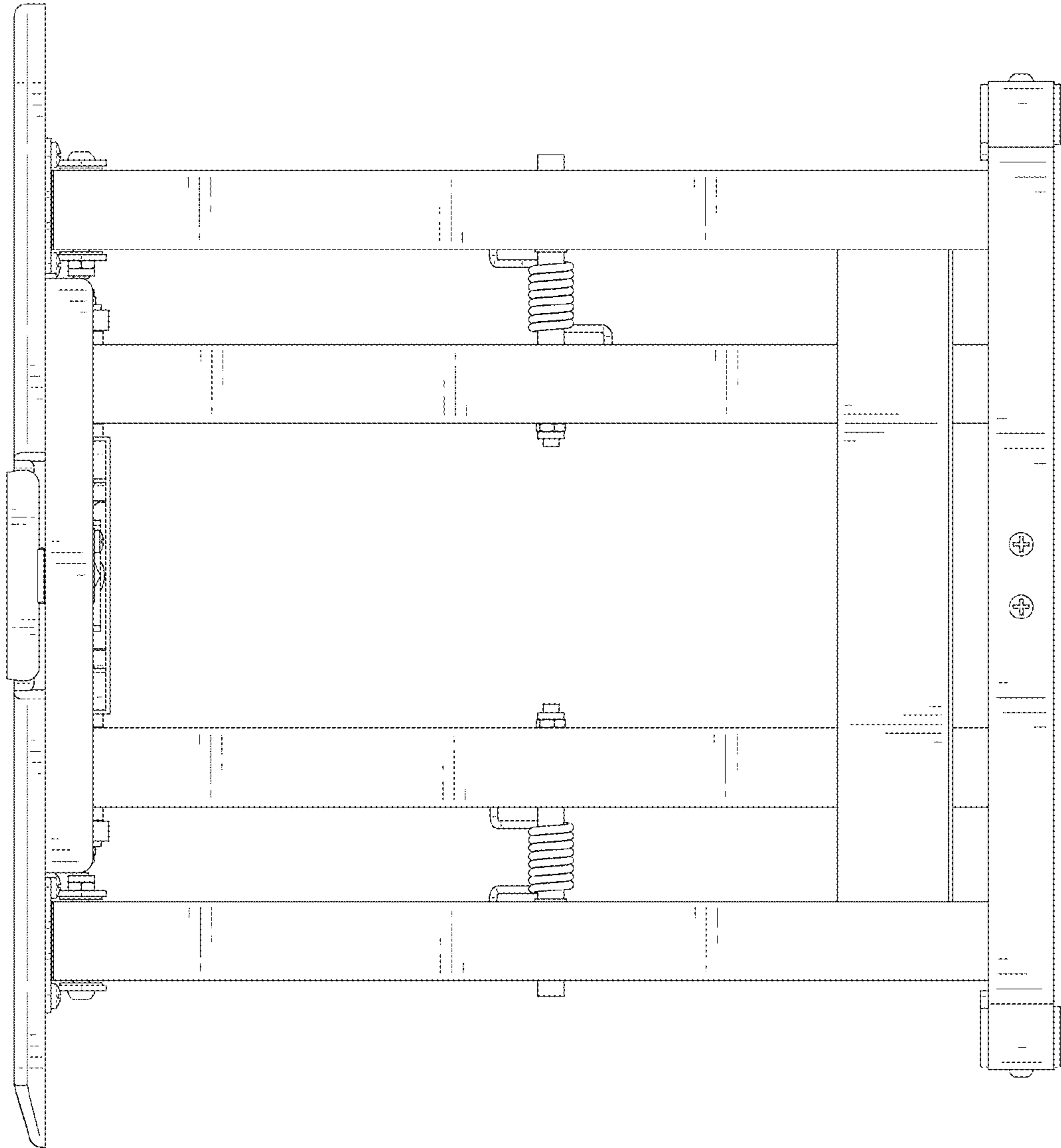


FIG. 6

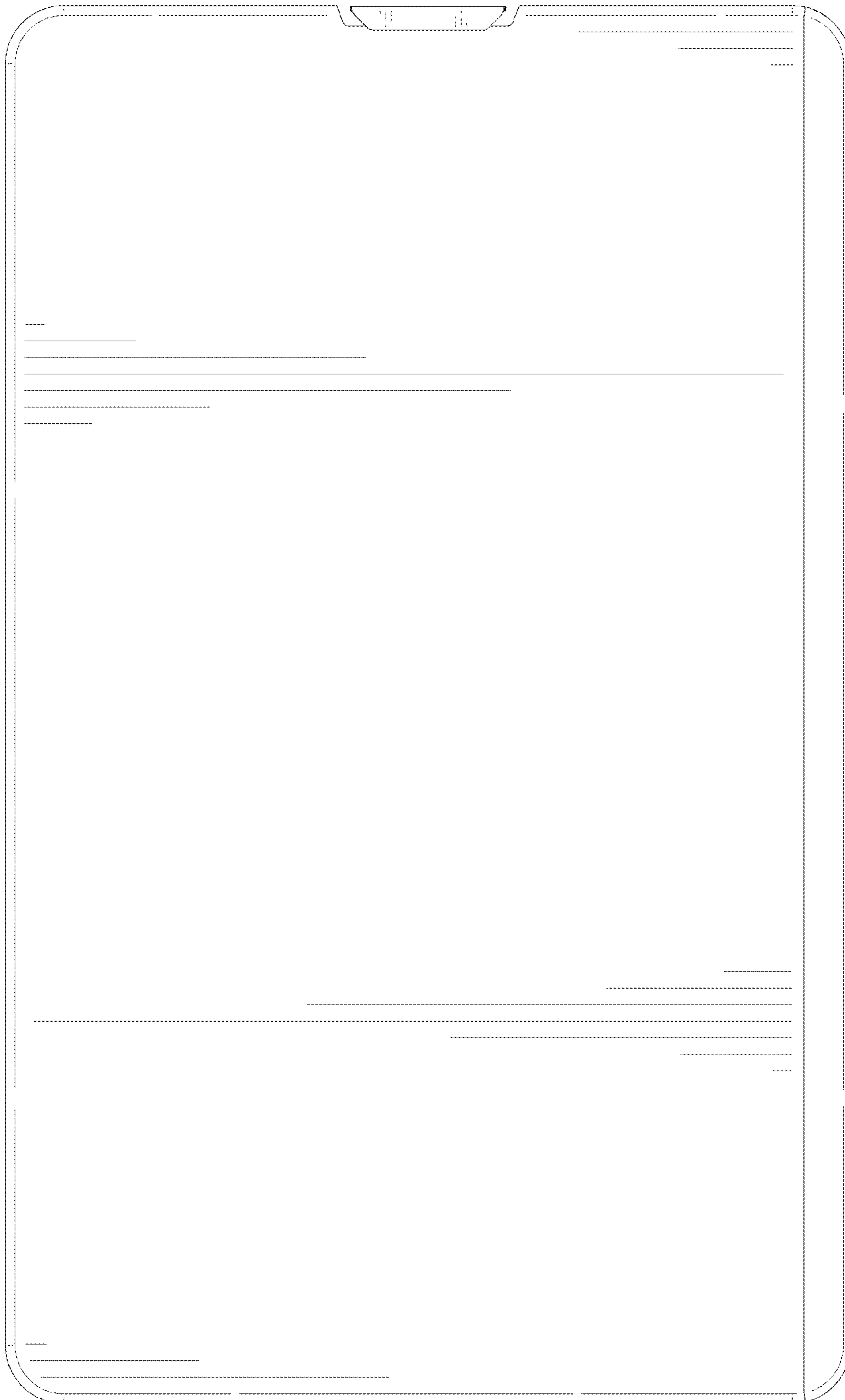


FIG. 7

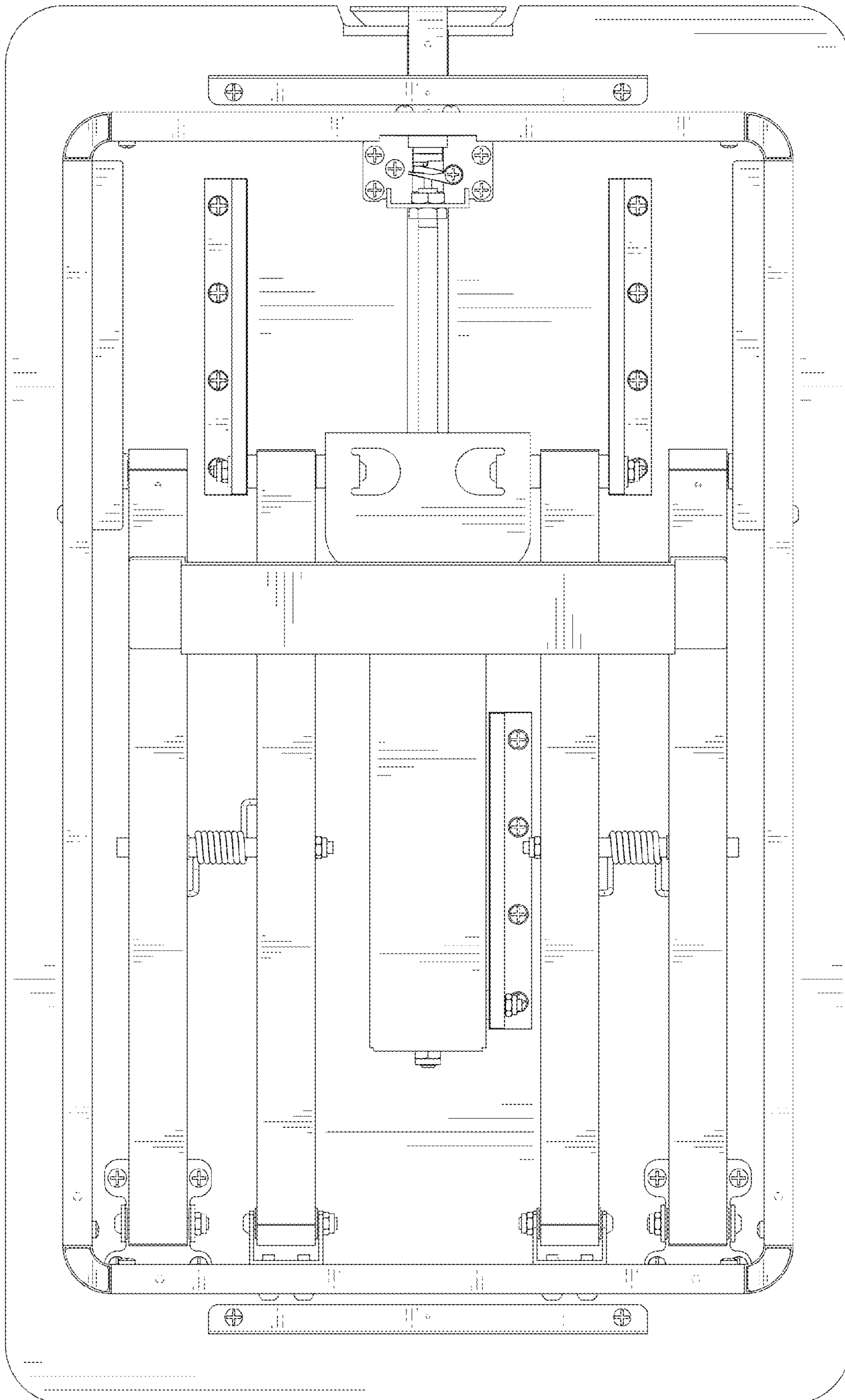


FIG. 8

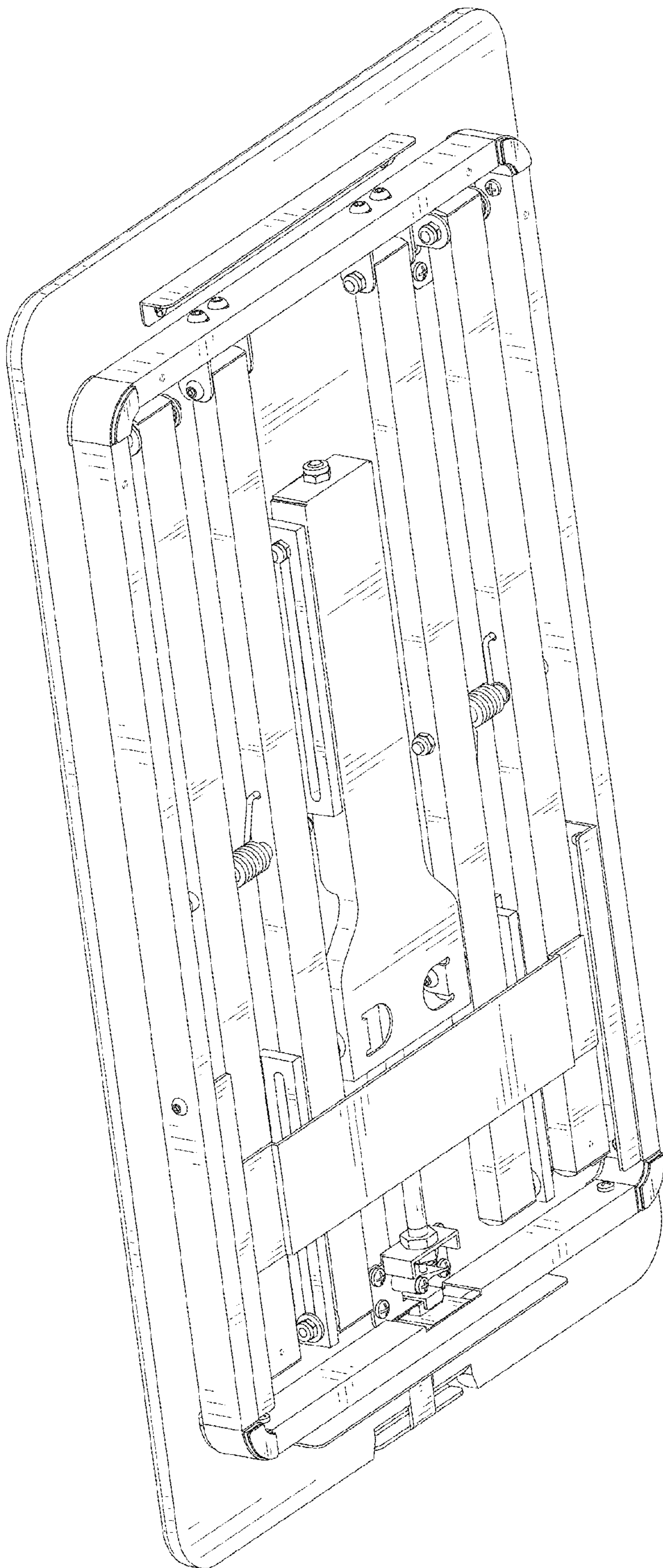


FIG. 9